



US00D921914S

(12) **United States Design Patent** (10) **Patent No.:** **US D921,914 S**
Wersland et al. (45) **Date of Patent:** **** Jun. 8, 2021**

(54) **PERCUSSIVE MASSAGE DEVICE**

(71) Applicant: **Theragun, Inc.**, Beverly Hills, CA (US)

(72) Inventors: **Jason Wersland**, Manhattan Beach, CA (US); **Benjamin Nazarian**, Beverly Hills, CA (US); **Jaime Sanchez Solana**, Los Angeles, CA (US); **Trent Hernandez**, Los Angeles, CA (US); **Rene Oehlerking**, Los Angeles, CA (US); **Dennis Matthew Puhalla**, Chicago, IL (US); **Jillian Tackaberry**, Chicago, IL (US); **Gary Paulsen**, Chicago, IL (US)

(73) Assignee: **THERAGUN, INC.**, Beverly Hills, CA (US)

(**) Term: **15 Years**

(21) Appl. No.: **29/735,691**

(22) Filed: **May 22, 2020**

Related U.S. Application Data

(60) Continuation of application No. 29/719,086, filed on Dec. 31, 2019, now Pat. No. Des. 885,601, which is a division of application No. 29/674,836, filed on Dec. 26, 2018, now Pat. No. Des. 880,714.

(51) **LOC (13) Cl.** **28-03**

(52) **U.S. Cl.**
USPC **D24/214**

(58) **Field of Classification Search**
USPC D24/133, 200, 211, 212, 213, 214, 215;
D8/14.1
CPC A61H 23/004; A61H 7/001; A61H 7/003;
A61H 23/006; A61H 23/00

See application file for complete search history.

(56) **References Cited**
U.S. PATENT DOCUMENTS

1,594,636 A	8/1926	Smith
1,784,301 A	12/1930	Mekler
3,968,789 A	7/1976	Simoncini
4,691,693 A	9/1987	Sato
4,989,613 A	2/1991	Finkenberg
D329,291 S	9/1992	Wollman
D329,292 S	9/1992	Wollman
D331,467 S	12/1992	Wollman

(Continued)

FOREIGN PATENT DOCUMENTS

CN	4226124	7/2017
----	---------	--------

OTHER PUBLICATIONS

Amazon, "Theragun Elite", May 14, 2020. https://www.amazon.com/Theragun-Elite-Generation-Percussive-Treatment/dp/B086Z6XSW4?ref_ast_sto_dp. Shown on p. 1. (Year: 2020).*

(Continued)

Primary Examiner — Cynthia Ramirez
Assistant Examiner — Michael A Maharajh

(74) *Attorney, Agent, or Firm* — Jeffer Mangels Butler & Mitchell LLP; Brennan C. Swain, Esq.

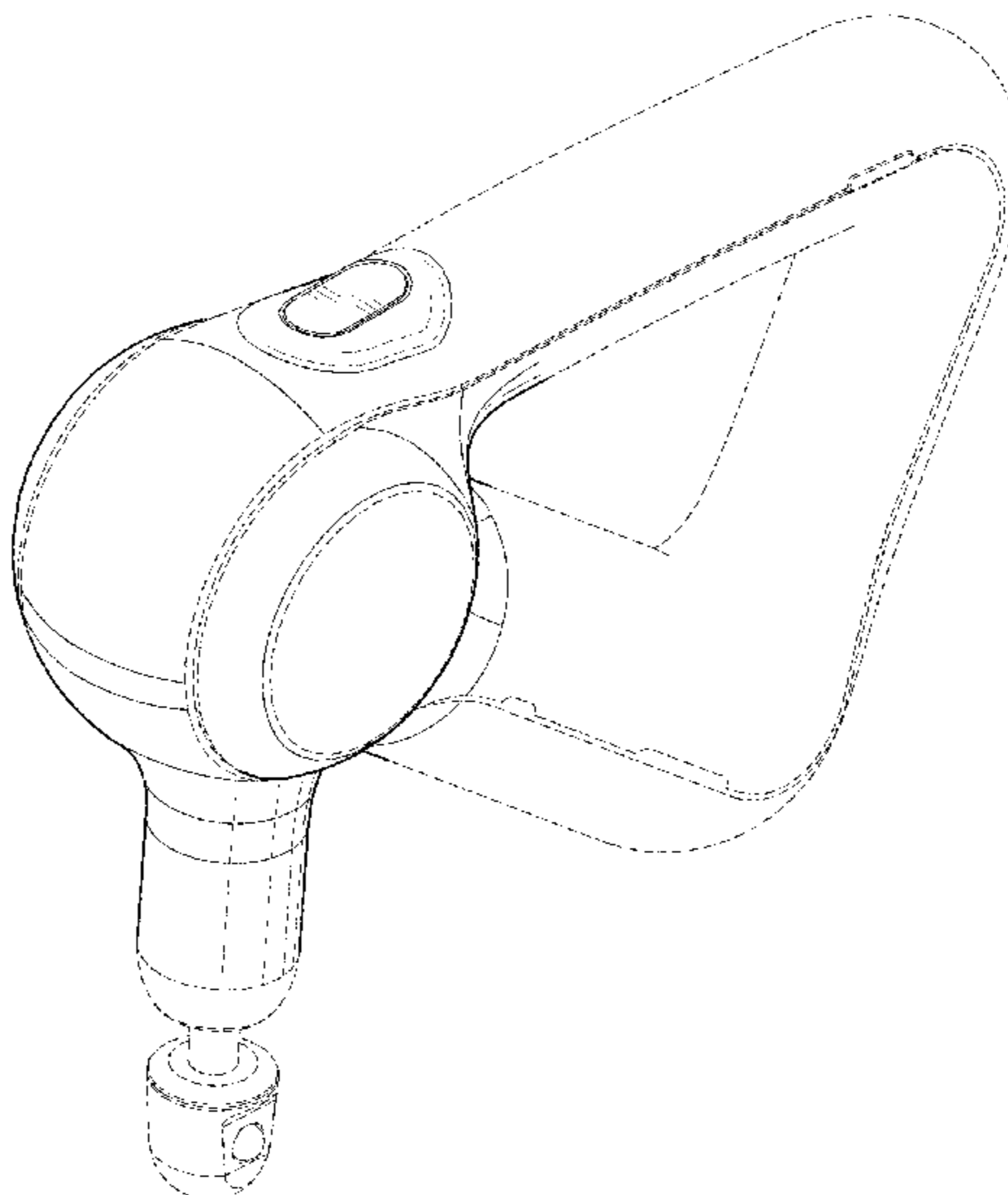
(57) **CLAIM**

The ornamental design for a percussive massage device, as shown and described.

DESCRIPTION

FIG. 1 is a top perspective view of a percussive massage device, showing our new design;
 FIG. 2 is a right side elevational view, the left side elevational view being a mirror image thereof;
 FIG. 3 a front elevational view thereof;
 FIG. 4 is a rear elevational view thereof;
 FIG. 5 is a top plan view thereof;
 FIG. 6 is a bottom plan view thereof; and,
 FIG. 7 is a bottom perspective view thereof.

1 Claim, 5 Drawing Sheets



(56)

References Cited

U.S. PATENT DOCUMENTS

D388,175 S 12/1997 Lie
 5,925,002 A 7/1999 Wollman
 D430,938 S 9/2000 Lee
 D448,852 S 10/2001 Engelen
 6,401,289 B1 6/2002 Herbert
 D476,746 S 7/2003 Harris
 D531,733 S 11/2006 Burout, III
 D553,252 S 10/2007 Masuda
 D606,192 S 12/2009 Summerer
 D649,657 S 11/2011 Petersen
 D658,759 S 5/2012 Marescaux
 8,435,194 B2 5/2013 Dverin
 D703,337 S 4/2014 Fuhr
 D706,433 S 6/2014 Fuhr
 D708,742 S 7/2014 Dallemagne
 D734,863 S 7/2015 Hennessey
 D735,348 S 7/2015 Hennessey
 D759,237 S 6/2016 Heath
 D759,238 S 6/2016 Heath
 D763,442 S 8/2016 Price
 D778,439 S 2/2017 Hakansson
 D819,221 S 5/2018 Lei
 D823,478 S 7/2018 Park
 D837,395 S 1/2019 Gan
 D838,378 S 1/2019 Cao
 D840,547 S 2/2019 Harle
 D842,491 S 3/2019 Fleming
 D843,656 S 3/2019 Zhang
 D844,896 S 4/2019 Levi
 D847,362 S 4/2019 Tang
 D847,364 S 4/2019 Lee
 D847,990 S 5/2019 Kimball
 10,314,762 B1 6/2019 Marton
 10,357,425 B2 7/2019 Wersland
 D855,822 S 8/2019 Marton
 D866,790 S 11/2019 Lee

D872,869 S 1/2020 Lu
 D877,351 S 3/2020 Wersland
 D879,985 S * 3/2020 Wersland D24/214
 D879,986 S * 3/2020 Wersland D24/214
 D880,714 S * 4/2020 Wersland D24/215
 D880,715 S * 4/2020 Wersland D24/215
 D880,716 S * 4/2020 Wersland D24/215
 D884,915 S * 5/2020 Wersland D24/215
 D885,601 S * 5/2020 Wersland D24/215
 D887,573 S * 6/2020 Wersland D24/215
 10,714,953 B1 * 7/2020 Solana H02J 50/005
 2002/0177795 A1 11/2002 Frye
 2002/0188233 A1 12/2002 Denyes
 2003/0195443 A1 10/2003 Miller
 2005/0131461 A1 6/2005 Tucek
 2006/0116614 A1 6/2006 Jones
 2006/0211961 A1 9/2006 Meyer
 2010/0145242 A1 6/2010 Tsai
 2010/0160841 A1 6/2010 Wu
 2010/0274162 A1 10/2010 Evans
 2012/0197357 A1 8/2012 Dewey
 2013/0030506 A1 1/2013 Bartolone
 2014/0221887 A1 8/2014 Wu
 2015/0119771 A1 4/2015 Roberts
 2018/0154141 A1 6/2018 Ahn
 2018/0200141 A1 7/2018 Wersland
 2019/0175434 A1 6/2019 Zhang
 2019/0254921 A1 8/2019 Marton
 2019/0254922 A1 8/2019 Marton
 2020/0069510 A1 * 3/2020 Wersland A61H 1/008
 2020/0085675 A1 * 3/2020 Lee A61H 1/00
 2020/0214930 A1 * 7/2020 Wersland A61H 23/006

OTHER PUBLICATIONS

Amazon, "Theragun G3PRO Percussive Therapy Device", Feb. 13, 2019. https://www.amazon.com/dp/B07MJ2MCT3/ref=nav_timeline_asin?_encoding=UTF8&psc=1. Shown on p. 1. (Year: 2019).

* cited by examiner

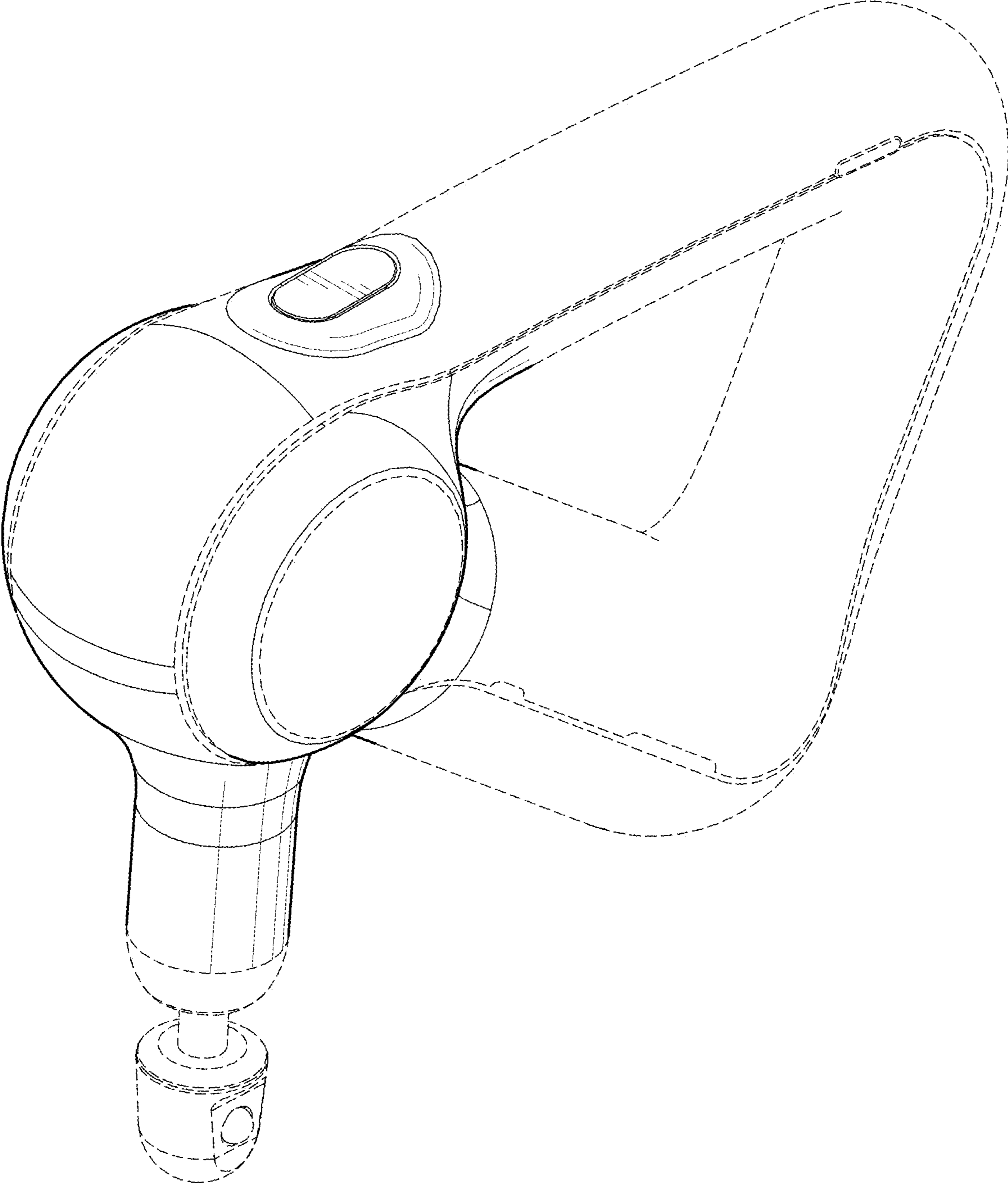


FIG. 1

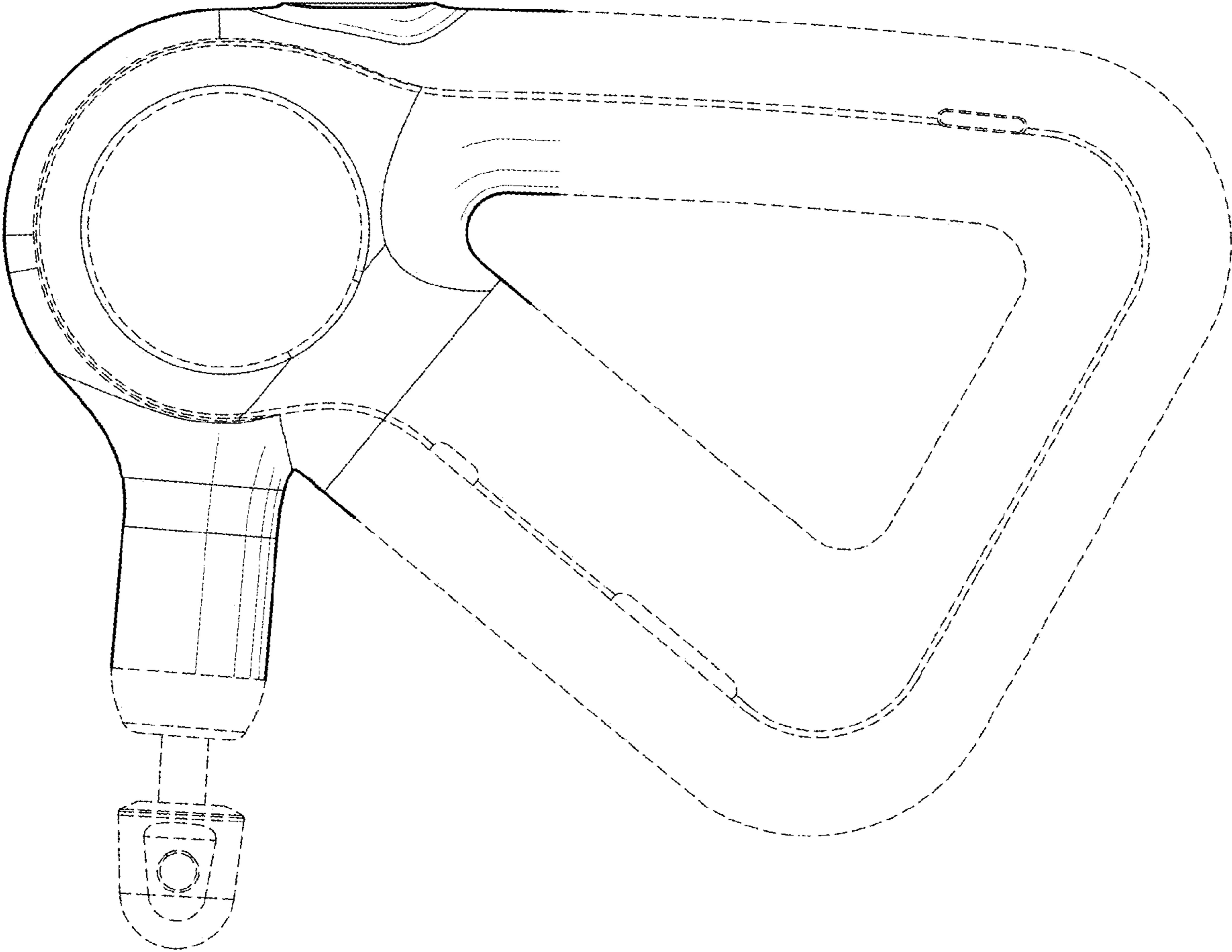


FIG. 2

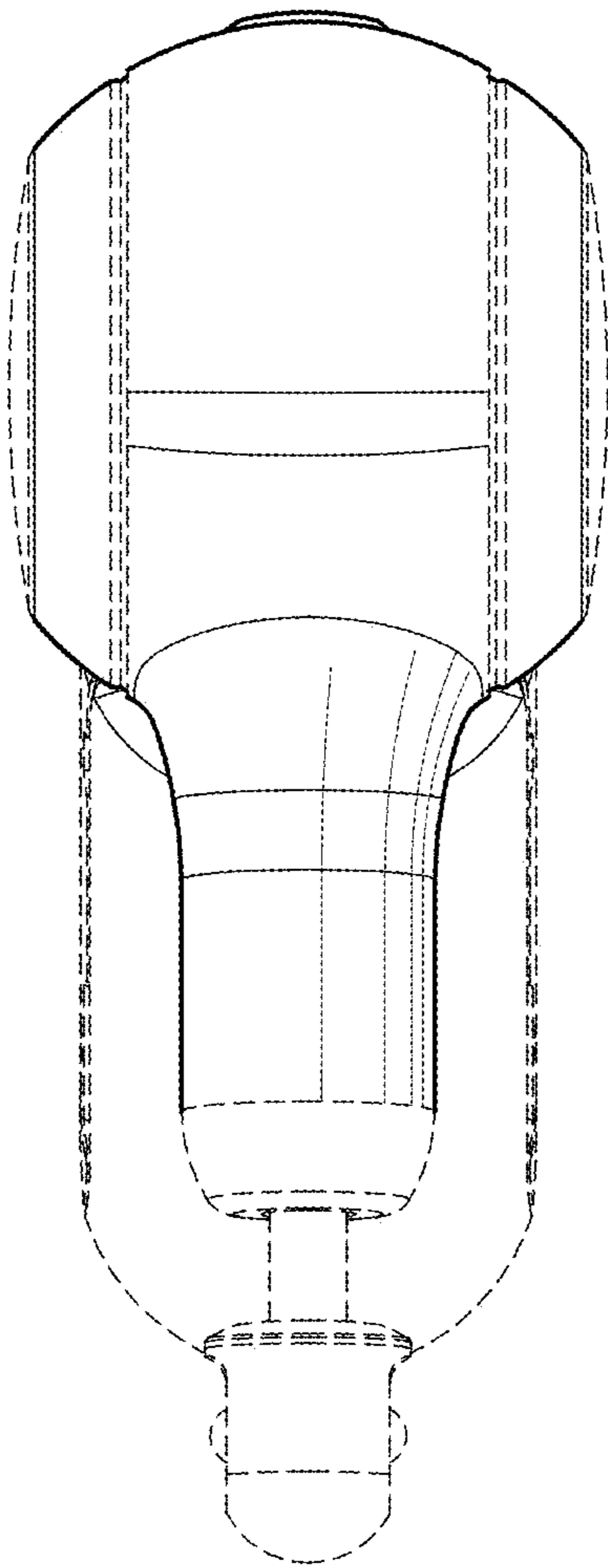


FIG. 3

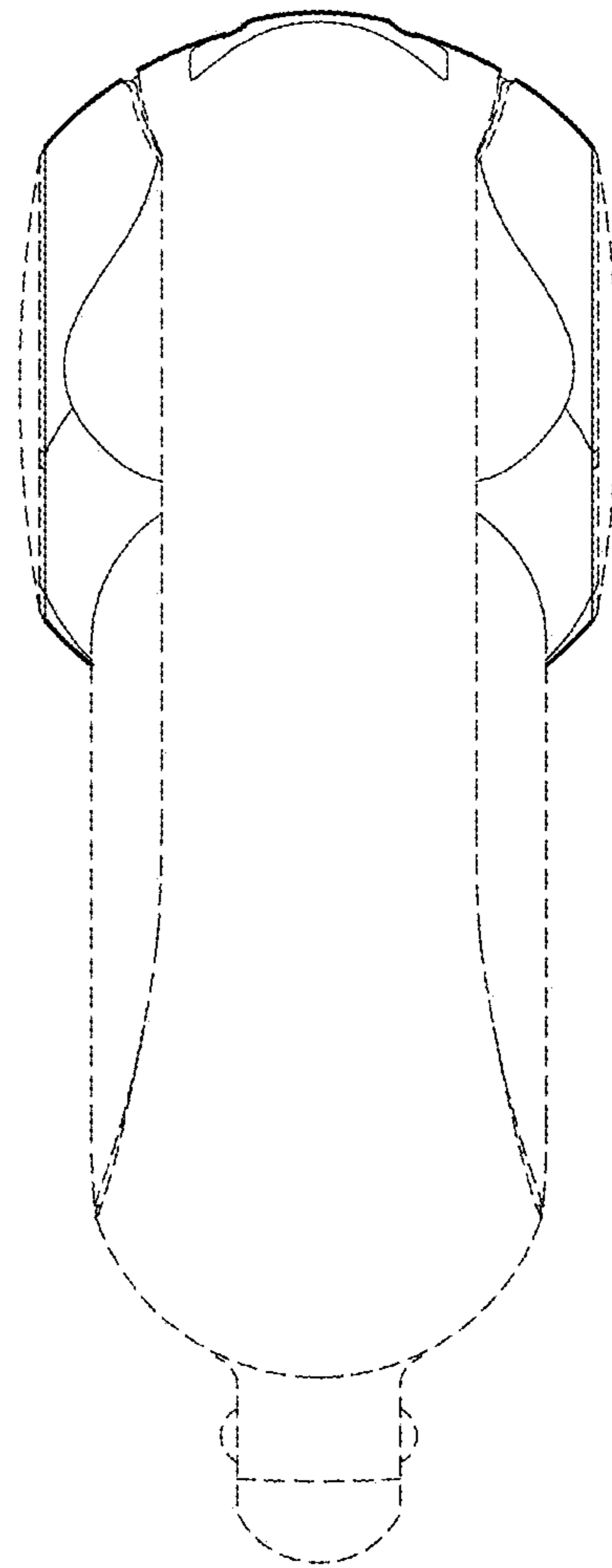


FIG. 4

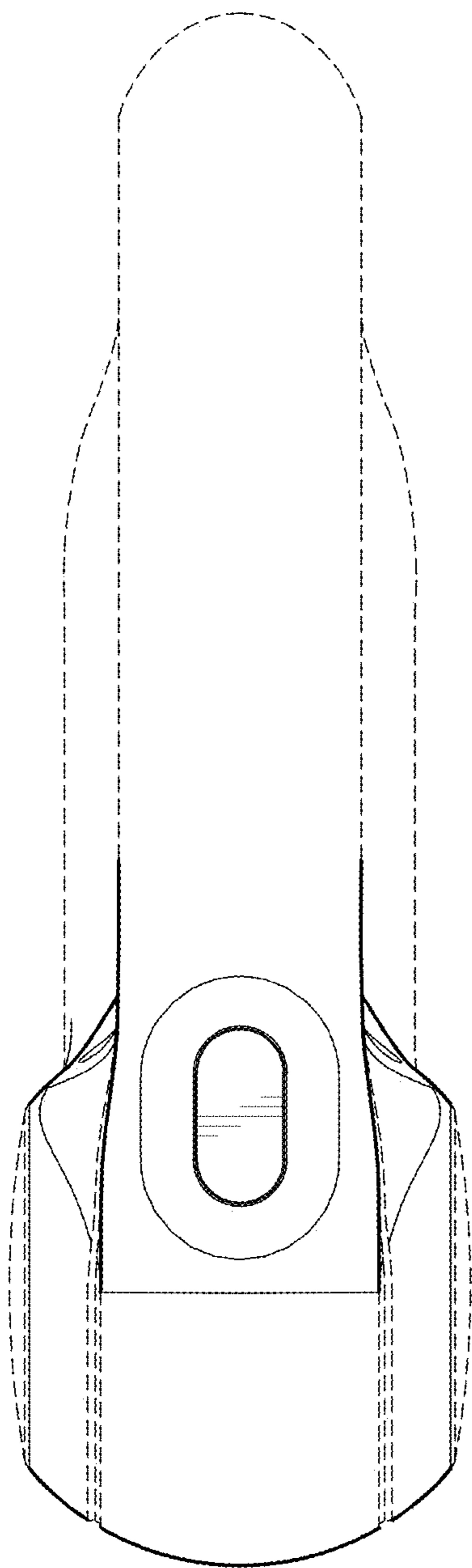


FIG. 5

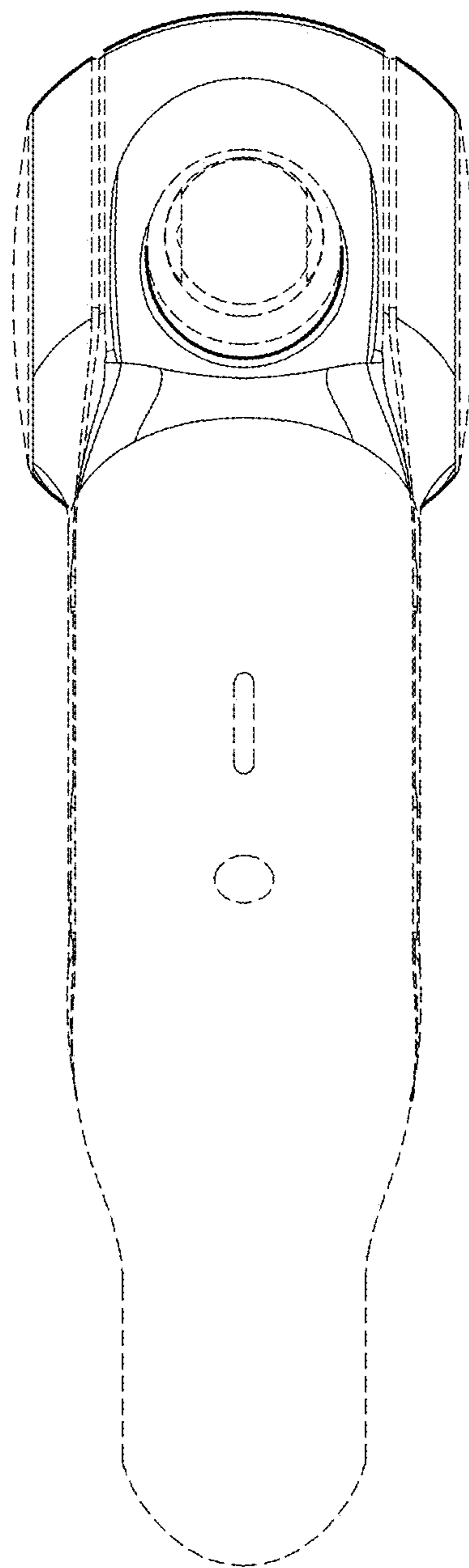


FIG. 6

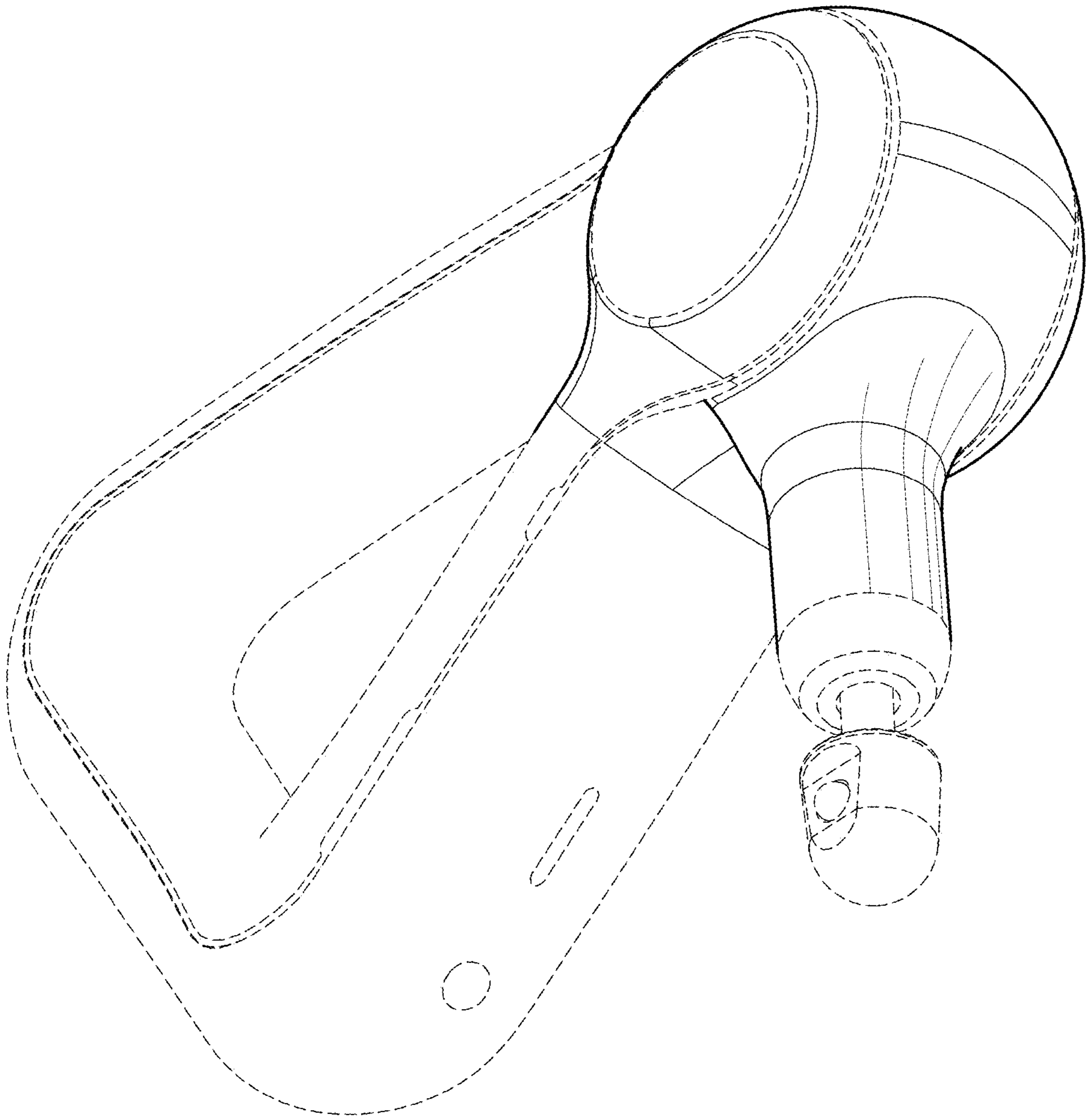


FIG. 7