



US00D921910S

(12) **United States Design Patent**
Baker et al.

(10) **Patent No.:** **US D921,910 S**
(45) **Date of Patent:** **** Jun. 8, 2021**

(54) **SPA SHELL**

D799,053 S * 10/2017 Larsen D24/204
D810,954 S * 2/2018 Larsen D24/204
D851,268 S * 6/2019 Larsen D24/204
D859,675 S * 9/2019 Larsen D24/204

(71) Applicant: **WATKINS MANUFACTURING CORPORATION**, Vista, CA (US)

* cited by examiner

(72) Inventors: **Sage Baker**, Cardiff, CA (US); **Junko Funaki**, San Diego, CA (US); **Nadya Arnaout**, Laguna Beach, CA (US)

Primary Examiner — Anhdao Doan
(74) *Attorney, Agent, or Firm* — Kirk W. Rudolph

(73) Assignee: **WATKINS MANUFACTURING CORPORATION**

(57) **CLAIM**

The ornamental design for a spa shell, as shown and described.

(**) Term: **15 Years**

DESCRIPTION

(21) Appl. No.: **29/721,601**

FIG. 1 is a perspective view of a spa shell showing our new design;

(22) Filed: **Jan. 22, 2020**

FIG. 2 is another perspective view thereof;

(51) **LOC (13) Cl.** **23-02**

FIG. 3 is a top plan view thereof;

(52) **U.S. Cl.**

FIG. 4 is a cross-sectional view thereof, taken in the direction of line 4-4 of FIG. 3;

USPC **D24/204**

FIG. 5 is a cross-sectional view thereof, taken in the direction of line 5-5 of FIG. 3;

(58) **Field of Classification Search**

USPC D24/201–205, 213; D23/276–278, D23/280.1–280.3; D25/2

FIG. 6 is a cross-sectional view thereof, taken in the direction of line 6-6 of FIG. 3;

CPC A61H 33/6005; A61H 33/6021; A61H 33/6089; A61H 33/6094; A61H 2035/004; A61H 35/006; A47K 3/022; A47K 3/062

FIG. 7 is a cross-sectional view thereof, taken in the direction of line 7-7 of FIG. 3;

See application file for complete search history.

FIG. 8 is a cross-sectional view thereof, taken in the direction of line 8-8 of FIG. 3;

(56) **References Cited**

U.S. PATENT DOCUMENTS

D620,600 S * 7/2010 Larsen D24/204
D624,657 S * 9/2010 Larsen D24/204
D719,663 S * 12/2014 Larsen D24/204
D722,701 S * 2/2015 Larsen D24/204
D726,328 S * 4/2015 Larsen D24/204
D754,866 S * 4/2016 Larsen D24/204
D781,431 S * 3/2017 Larsen D24/204
D782,057 S * 3/2017 Larsen D24/204

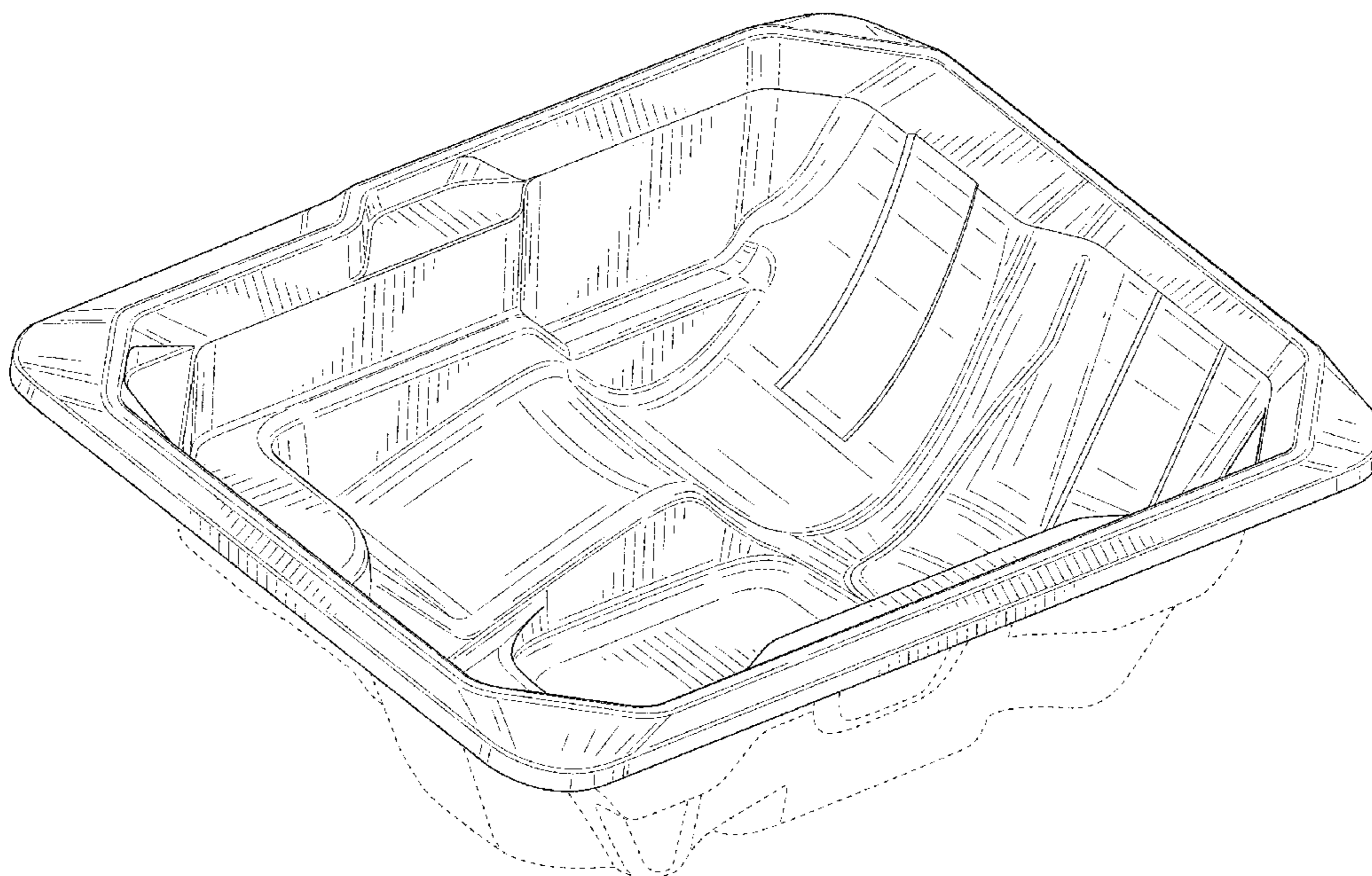
FIG. 9 is a cross-sectional view thereof, taken in the direction of line 9-9 of FIG. 3;

FIG. 10 is a cross-sectional view thereof, taken in the direction of line 10-10 of FIG. 3; and,

FIG. 11 is a cross-sectional view thereof, taken in the direction of line 11-11 of FIG. 3.

The broken lines depict portions of the spa shell that form no part of the claimed design; the broken lines form no part of the claimed design.

1 Claim, 11 Drawing Sheets



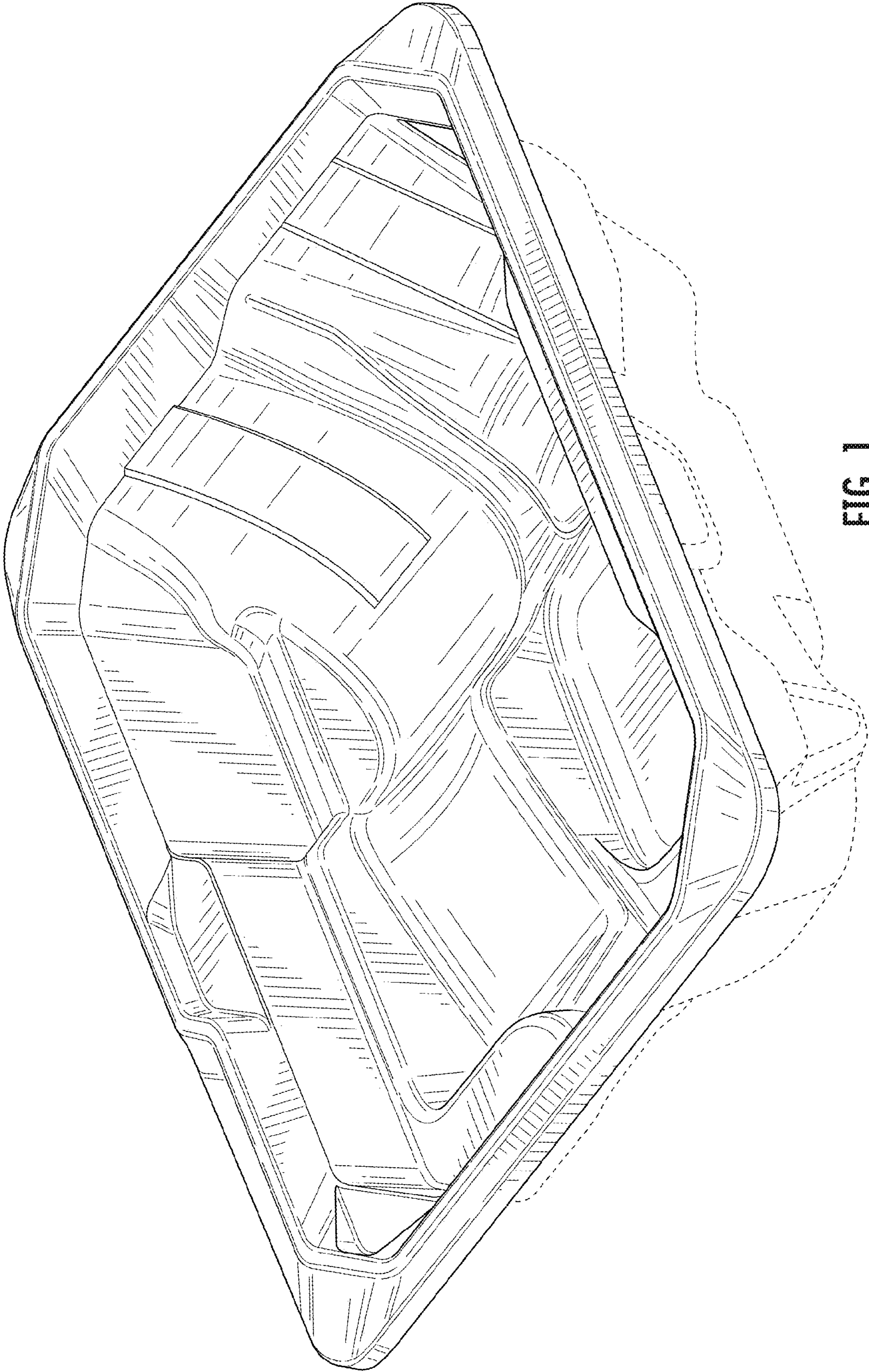


FIG. 1

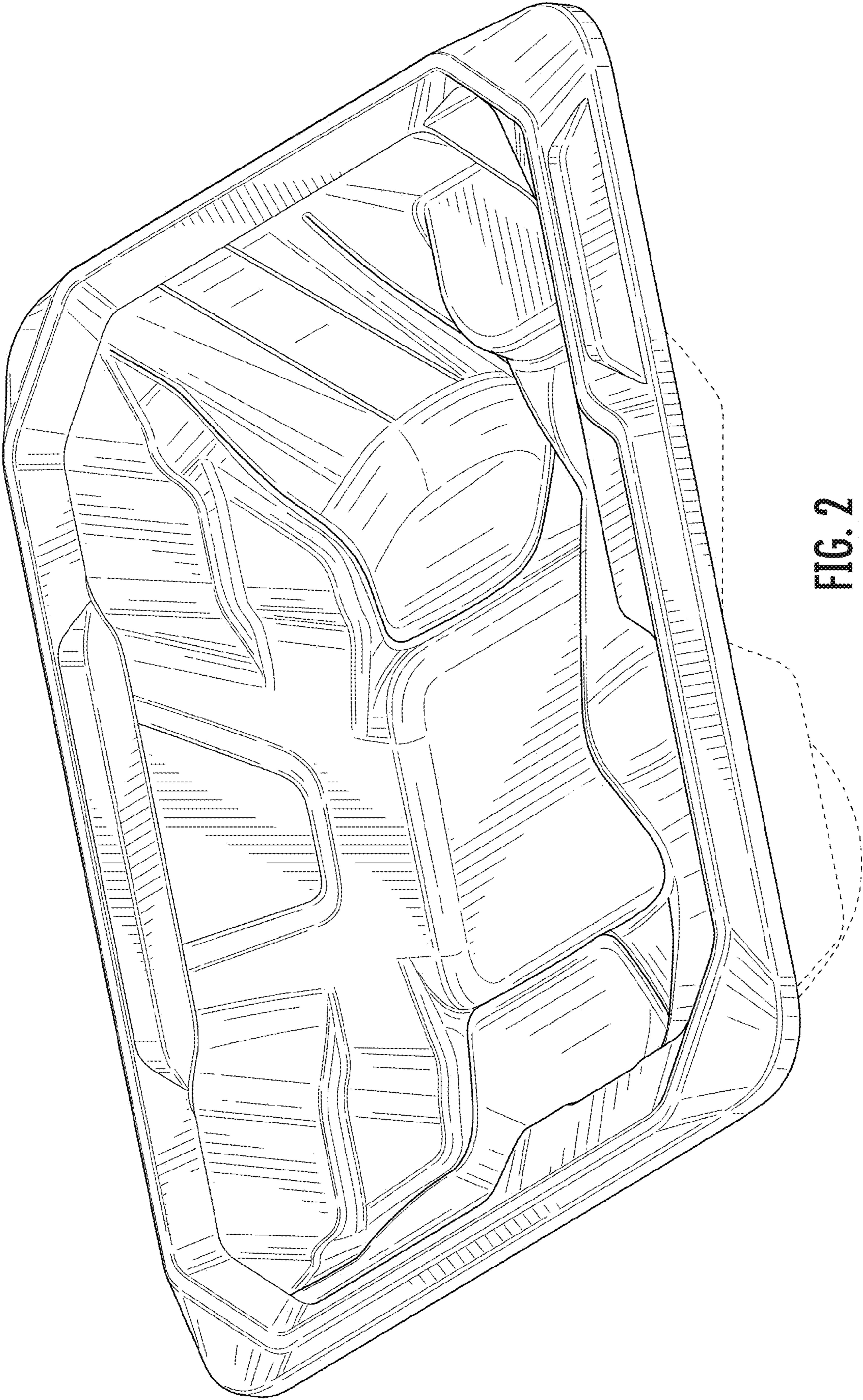
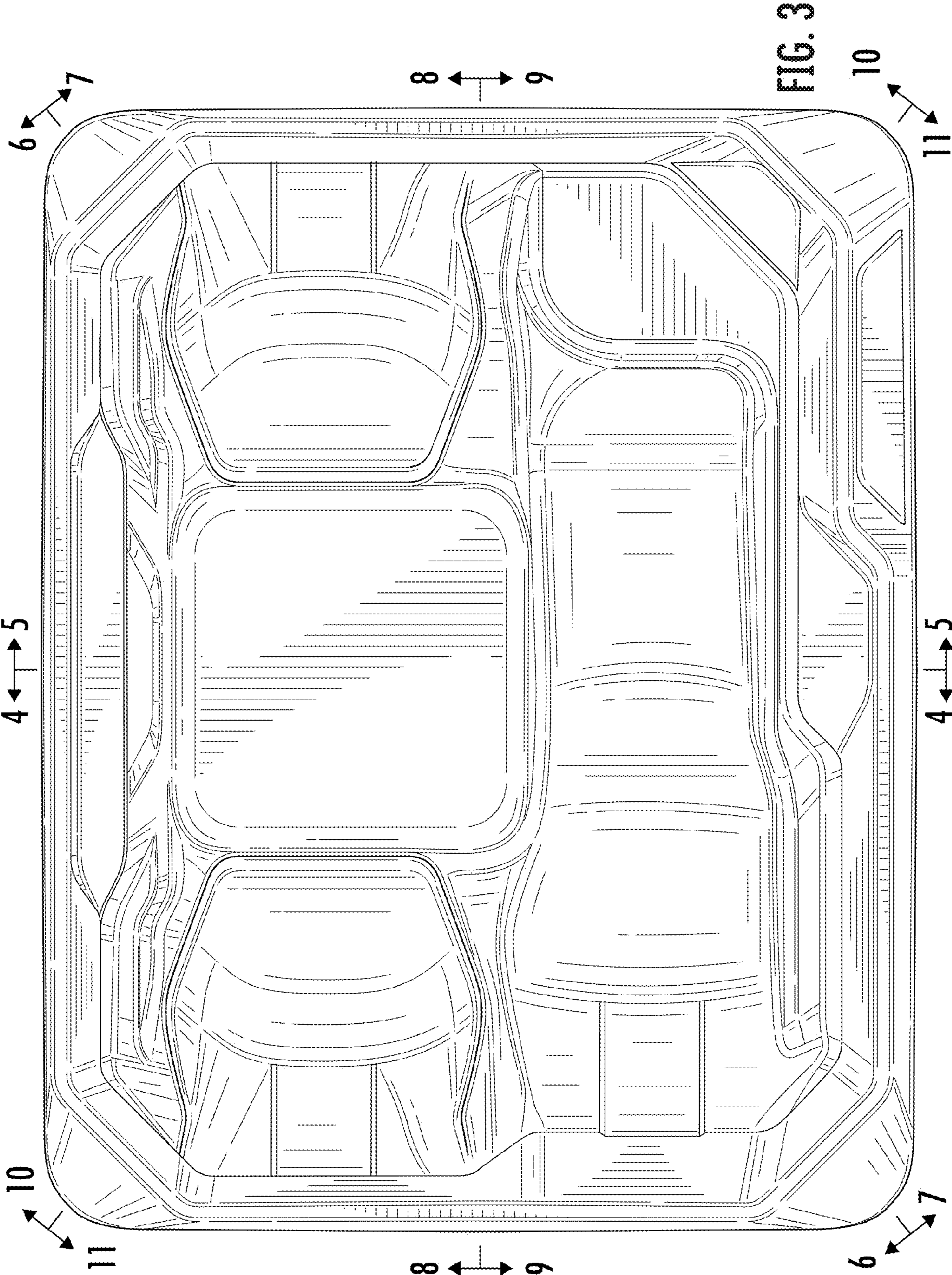


FIG. 2



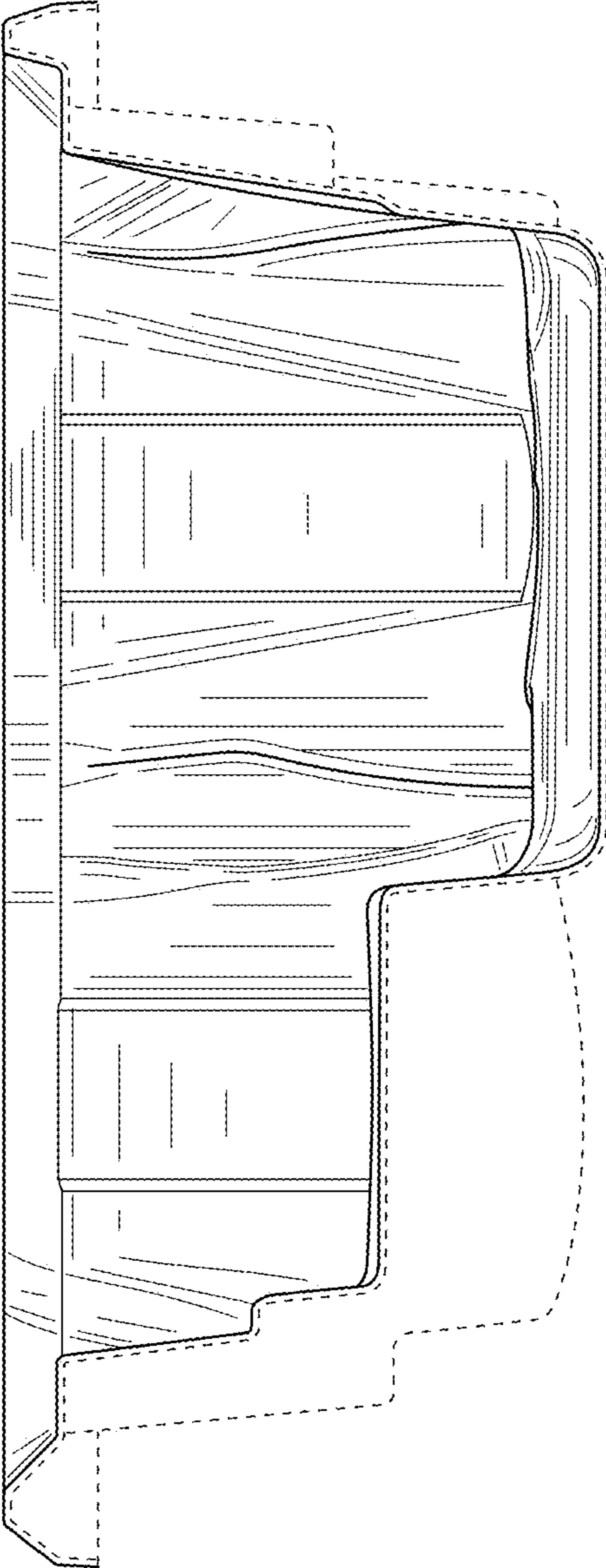


FIG. 4

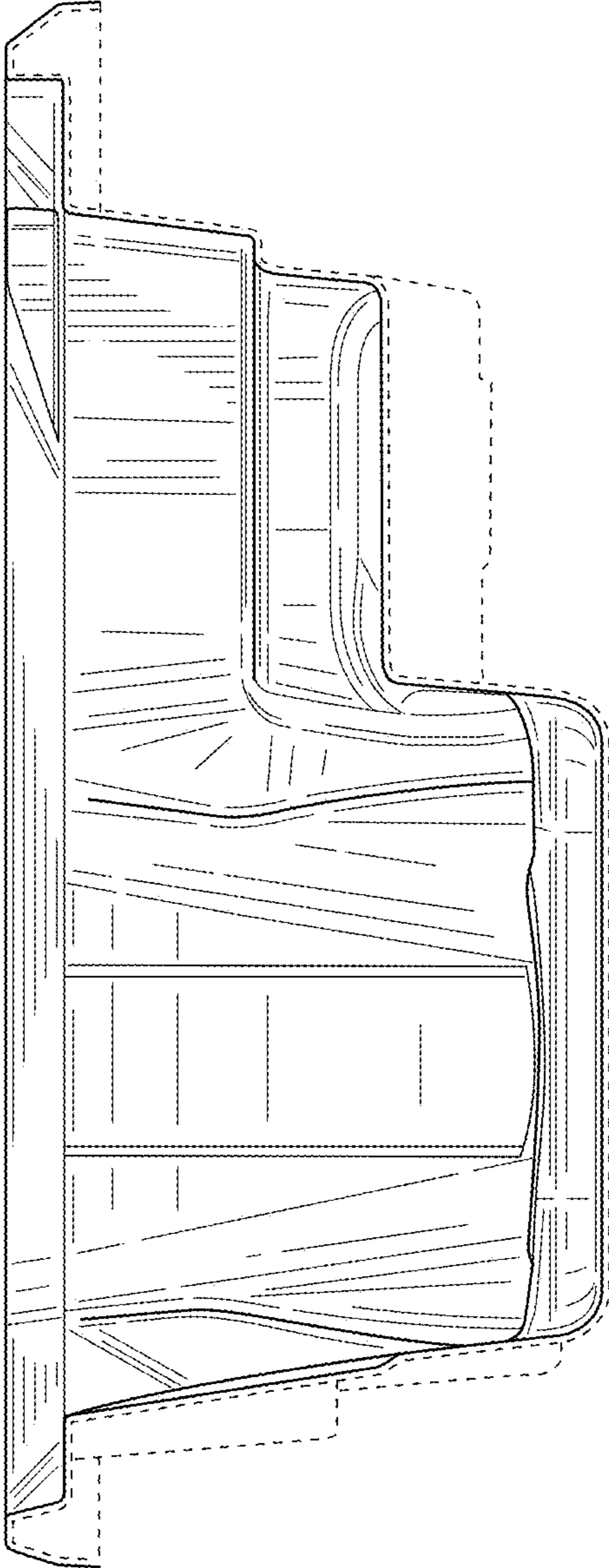


FIG. 5

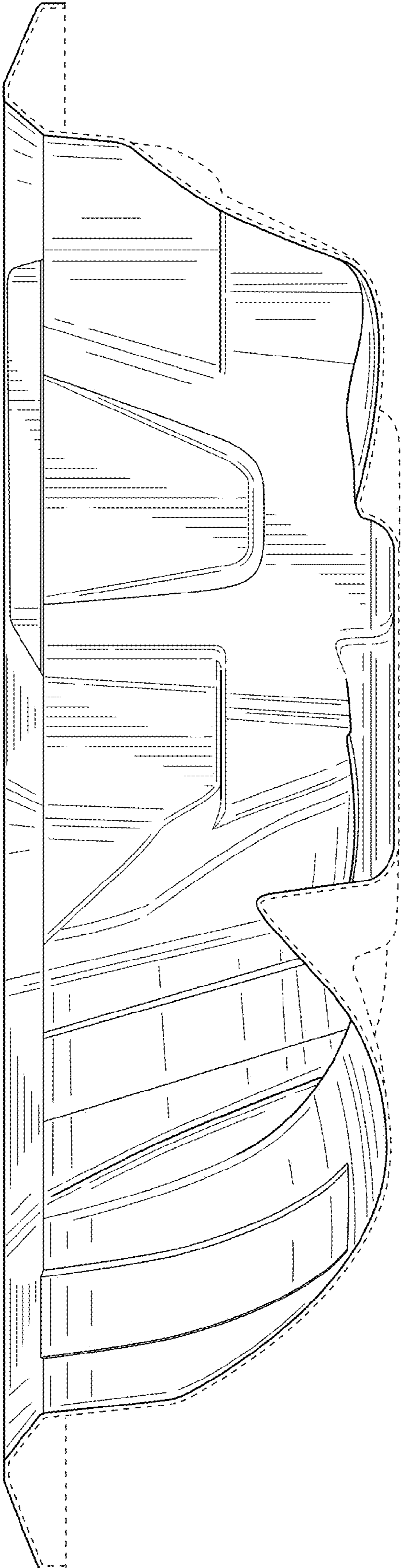


FIG. 6

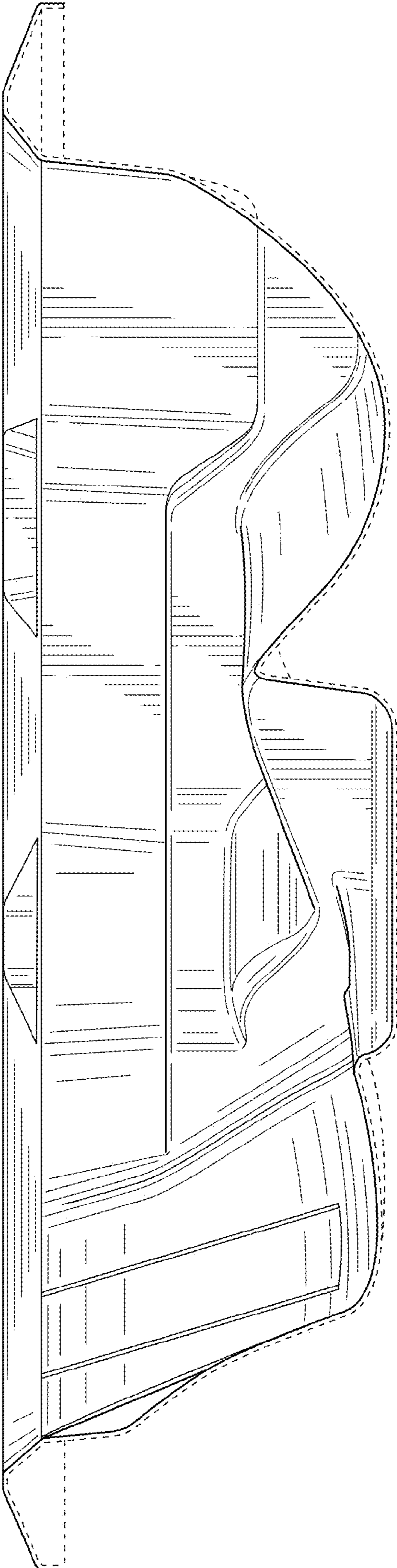


FIG. 7

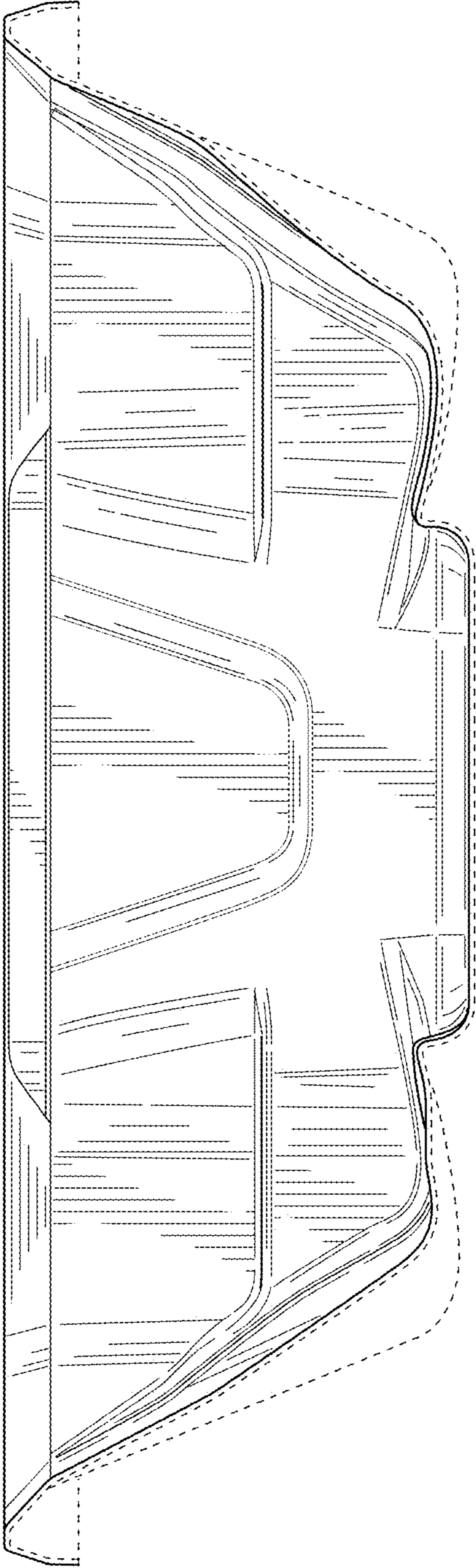


FIG. 8

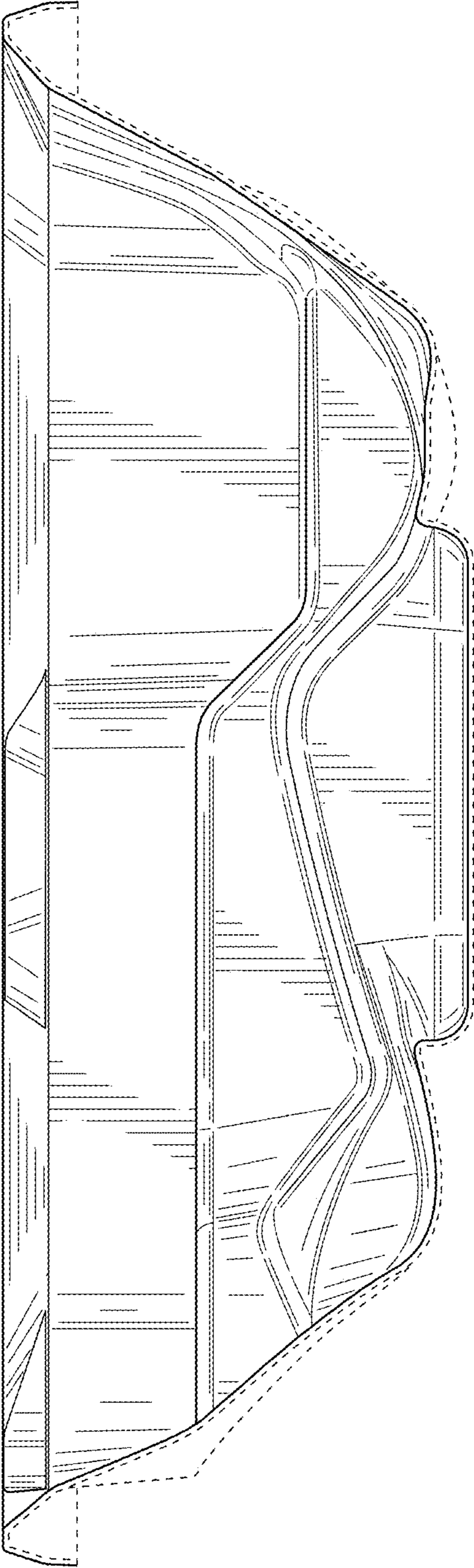


FIG. 9

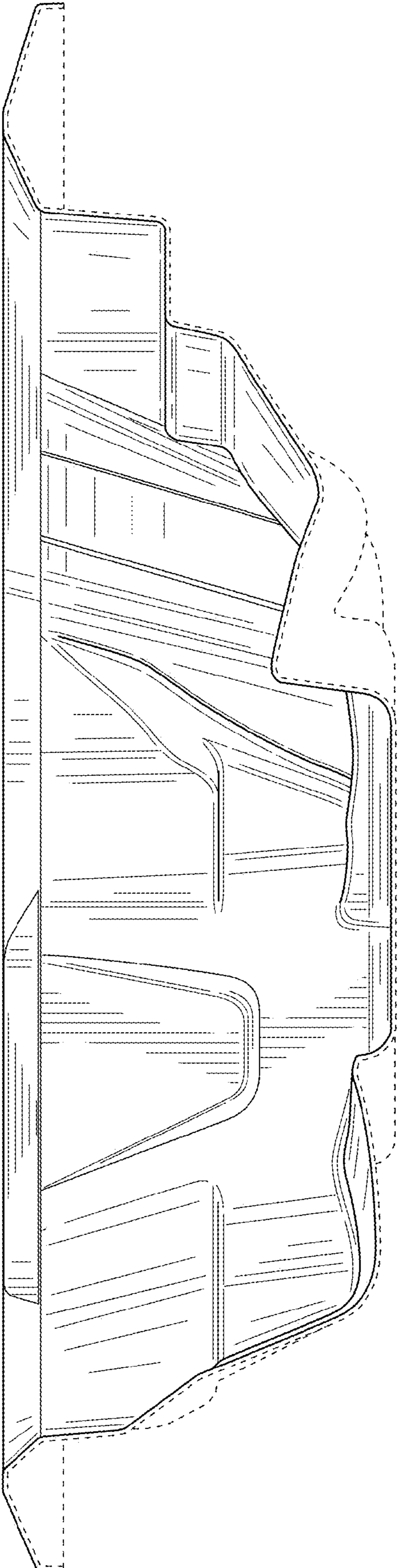


FIG. 10

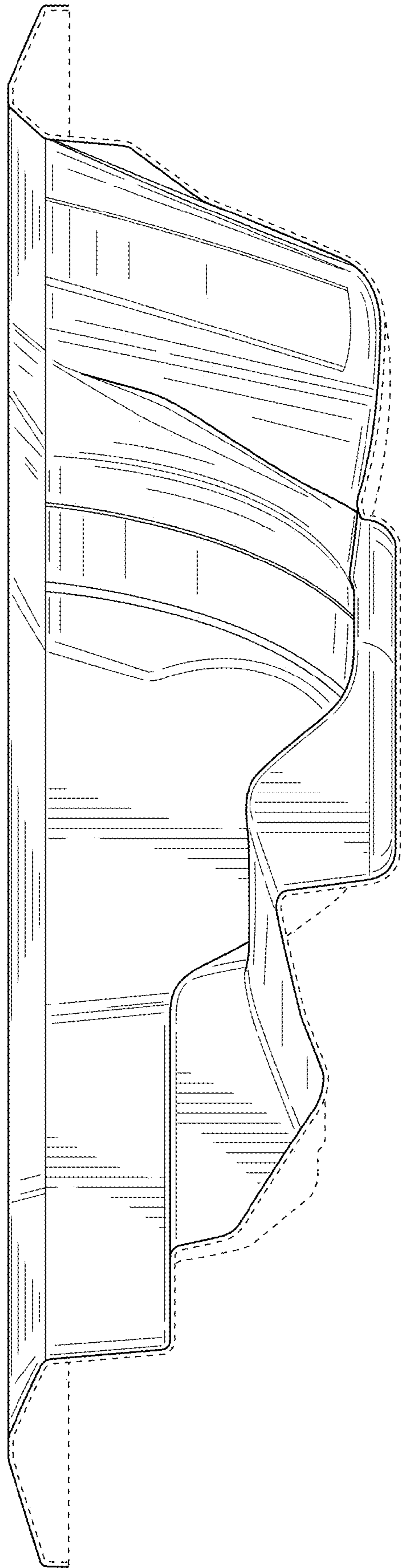


FIG. 11