



US00D921902S

(12) **United States Design Patent**  
**Nachum**

(10) **Patent No.:** **US D921,902 S**  
(45) **Date of Patent:** **\*\* Jun. 8, 2021**

- (54) **THERAPEUTIC ELECTRICAL STIMULATION DEVICE**
- (71) Applicant: **Chen Nachum**, Raanana (IL)
- (72) Inventor: **Chen Nachum**, Raanana (IL)
- (\*\*) Term: **15 Years**
- (21) Appl. No.: **29/632,341**
- (22) Filed: **Jan. 7, 2018**

D716,457 S *	10/2014	Brefka	.....	D24/186
D723,705 S *	3/2015	Mininger	.....	D24/200
D732,673 S *	6/2015	Lewis, Jr.	.....	D24/187
D733,888 S *	7/2015	Tuhkanen	.....	D24/167
D770,625 S *	11/2016	Aytekkin	.....	D24/167
D772,821 S *	11/2016	Bristol	.....	D13/168
D794,805 S *	8/2017	Kranz	.....	D24/186
9,763,851 B2 *	9/2017	Lenke	.....	A61H 19/30
D831,217 S *	10/2018	Geissen	.....	D24/168
D855,193 S *	7/2019	Levi	.....	D24/200

\* cited by examiner

*Primary Examiner* — Jennifer L Watkins

**Related U.S. Application Data**

- (62) Division of application No. 35/501,478, filed on Aug. 5, 2016 (U.S. filing date under 35 U.S.C. 384), and having an international filing date of Aug. 5, 2016, now Pat. No. Des. 809,663.

- (51) **LOC (13) Cl.** ..... **24-01**
- (52) **U.S. Cl.**  
USPC ..... **D24/168**

- (58) **Field of Classification Search**  
USPC ..... D24/186, 187, 200, 188–190, 168;  
D13/162, 168  
CPC ..... A61N 1/05; A61N 1/3752; A61N 1/0551;  
A61N 1/0553; A61B 5/0006; A61B  
5/0022; A61B 5/0402; A61B 5/1112;  
A61B 2560/0412; A61B 5/6833  
See application file for complete search history.

(56) **References Cited**

**U.S. PATENT DOCUMENTS**

D613,868 S *	4/2010	Lhuillery	.....	D24/187
D659,836 S *	5/2012	Bensch	.....	D24/167
D698,452 S *	1/2014	Tai	.....	D24/215
D701,496 S *	3/2014	Namminga	.....	D13/168
D712,052 S *	8/2014	Thomas	.....	D24/200

(57) **CLAIM**

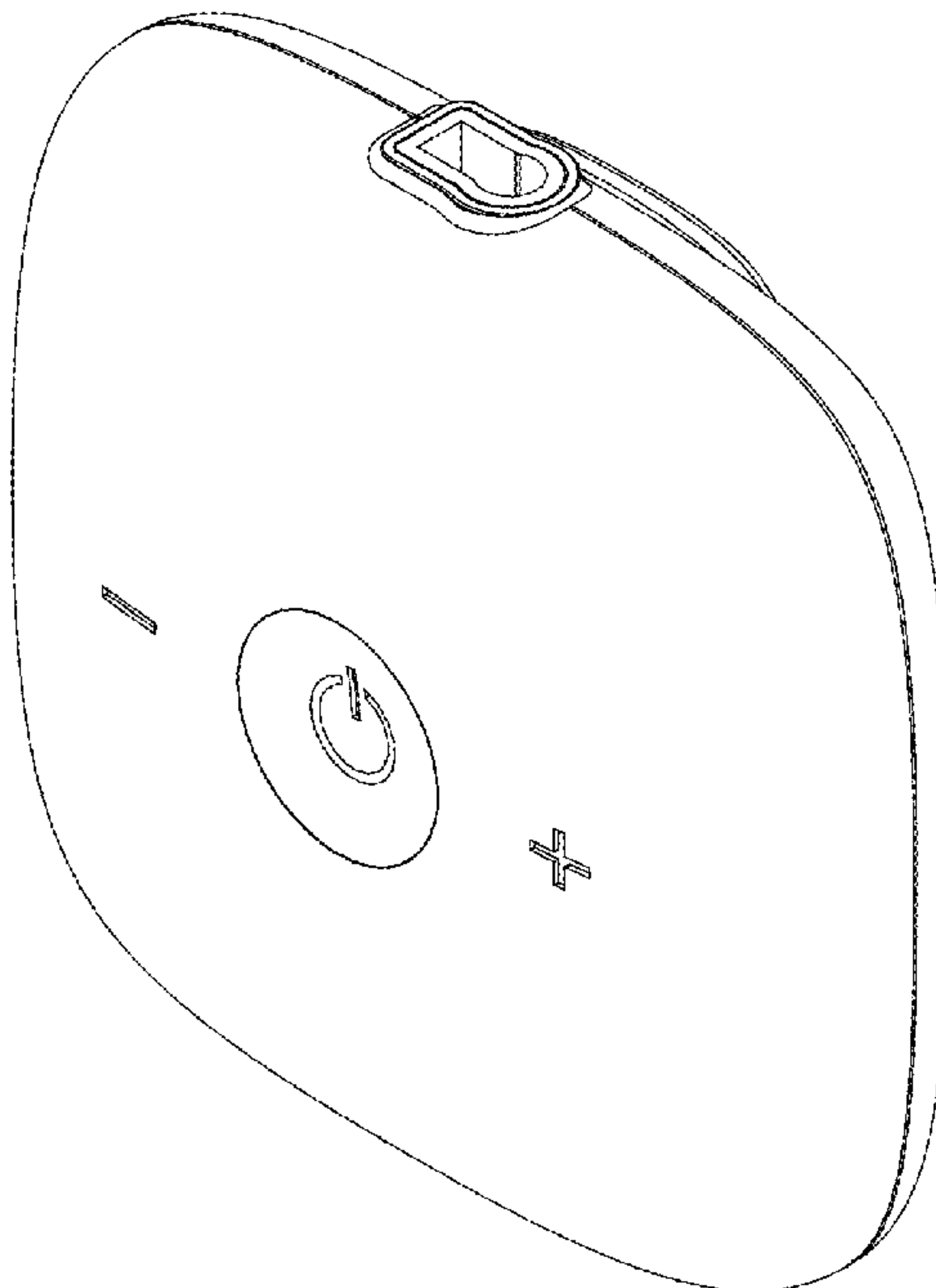
The ornamental design for a therapeutic electrical stimulation device, as shown and described.

**DESCRIPTION**

FIG. 1 is a perspective view of a therapeutic electrical stimulation device showing my new design;  
 FIG. 2 is a front view of the therapeutic electrical stimulation device;  
 FIG. 3 is a right-side view of the therapeutic electrical stimulation device;  
 FIG. 4 is a back view of the therapeutic electrical stimulation device;  
 FIG. 5 is a left-side view of the therapeutic electrical stimulation device;  
 FIG. 6 is a top view of the therapeutic electrical stimulation device; and,  
 FIG. 7 is a bottom view of the therapeutic electrical stimulation device.

The broken lines in the drawings are for the purpose of depicting portions of a therapeutic electrical stimulation device and form no part of the claimed design.

**1 Claim, 7 Drawing Sheets**



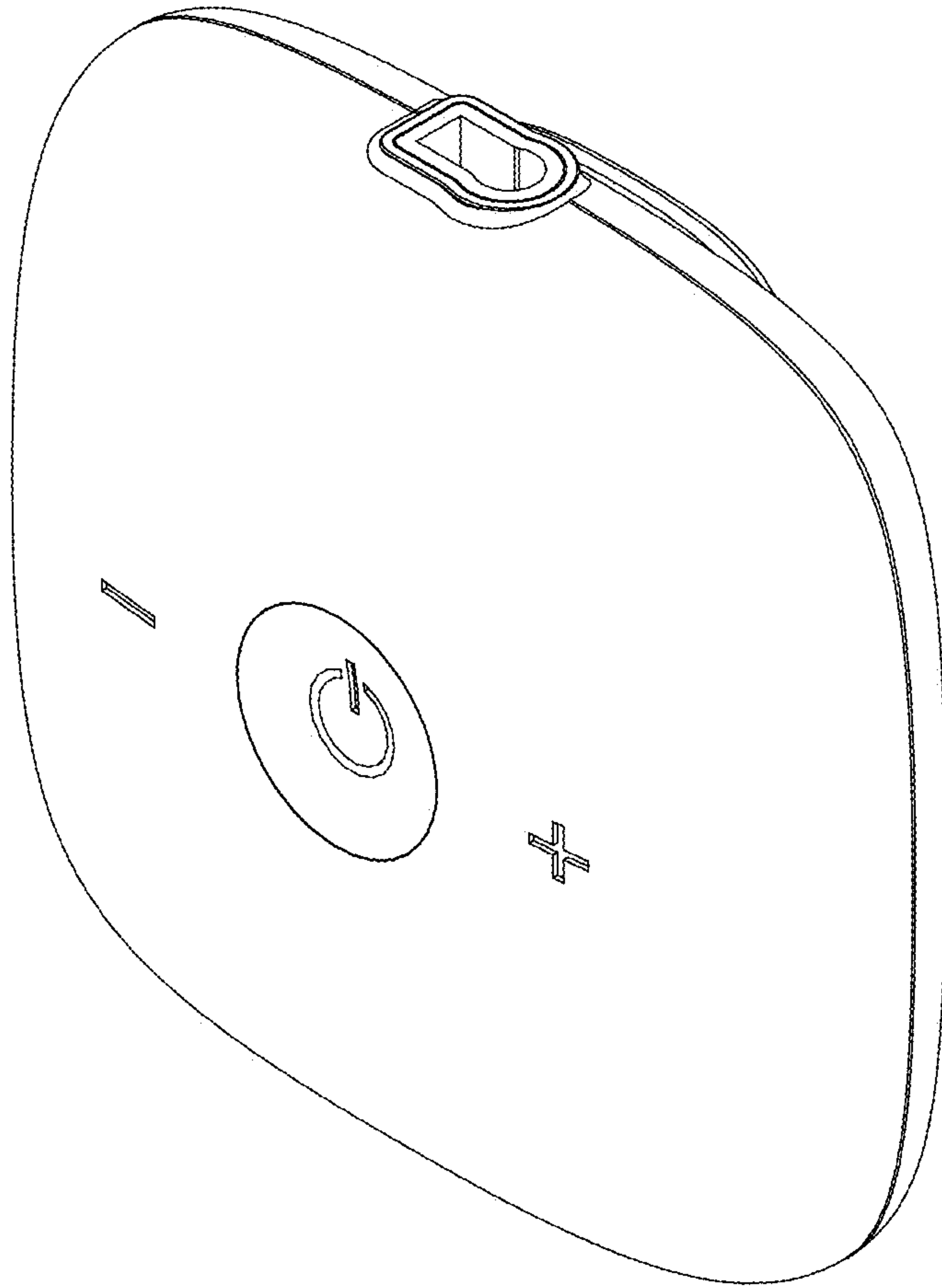


Fig. 1

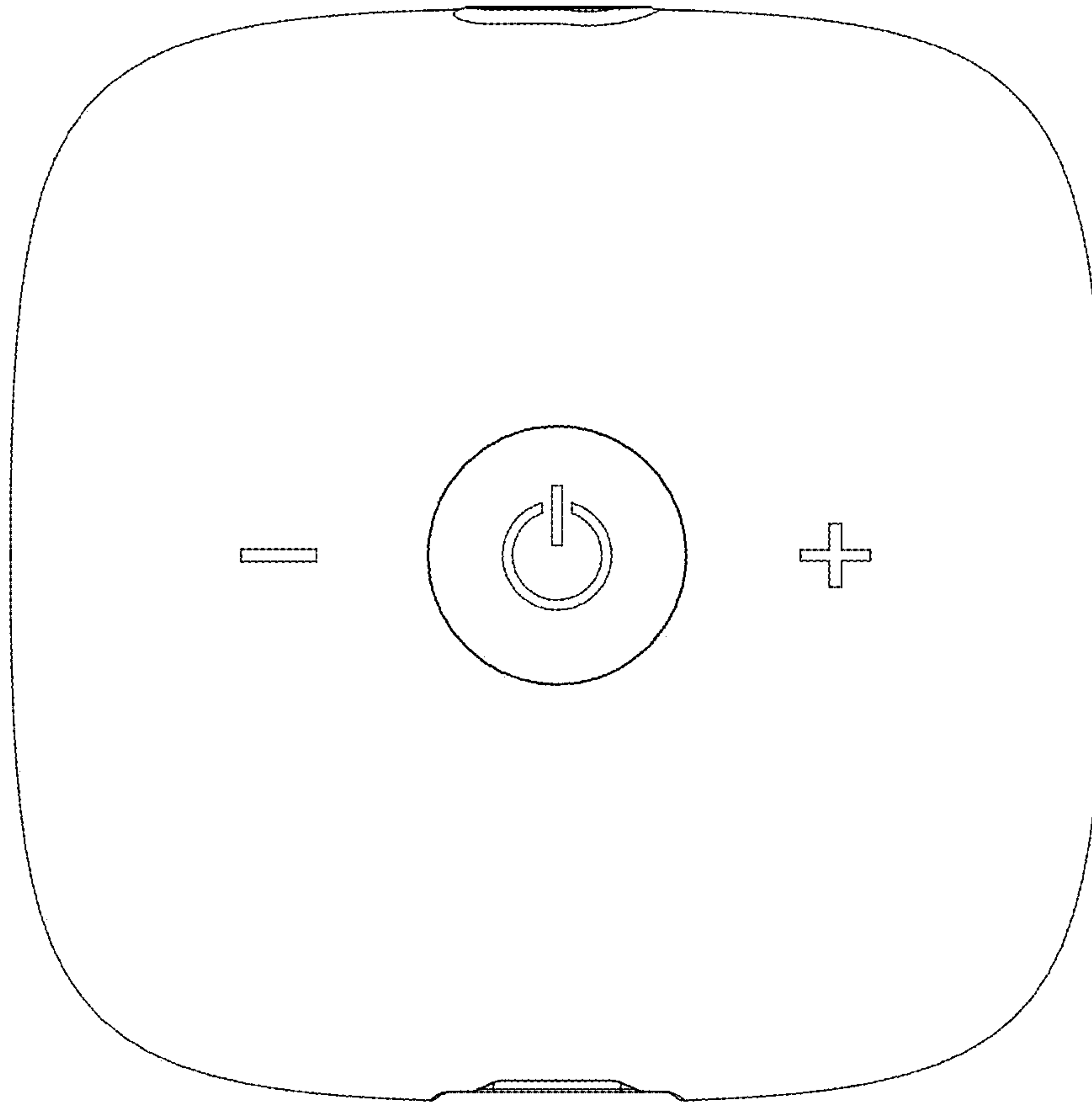


Fig. 2

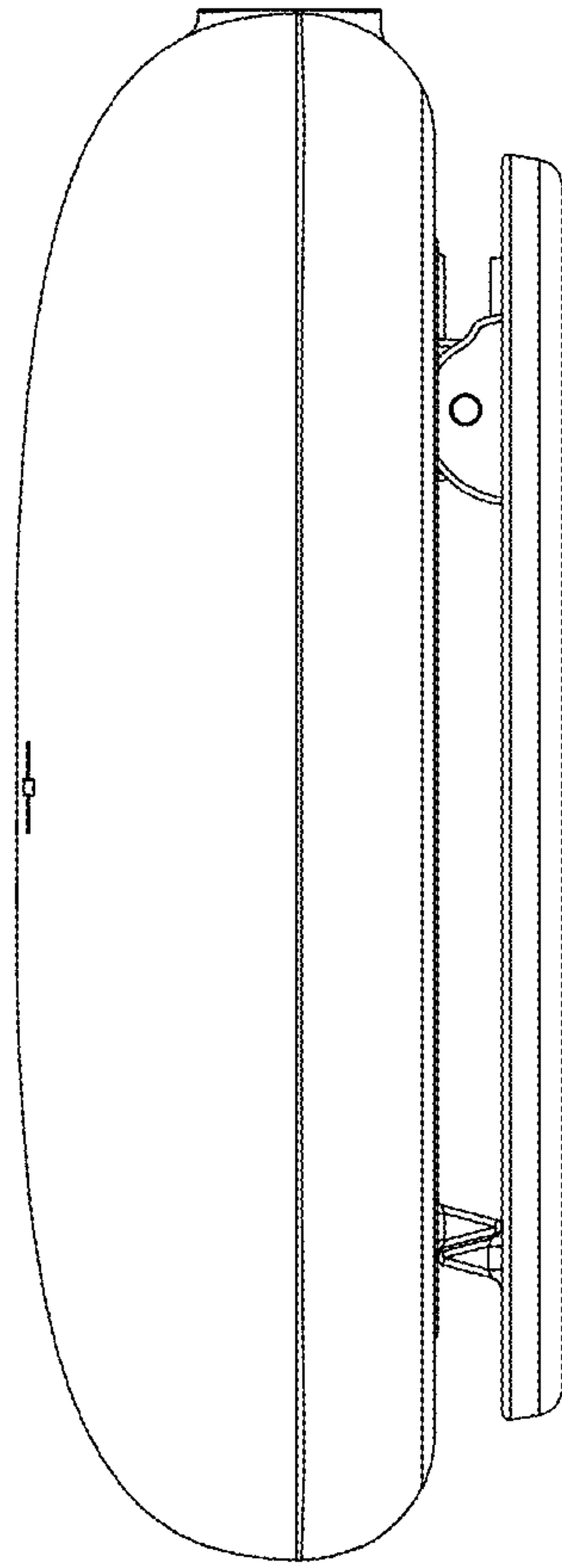


Fig. 3

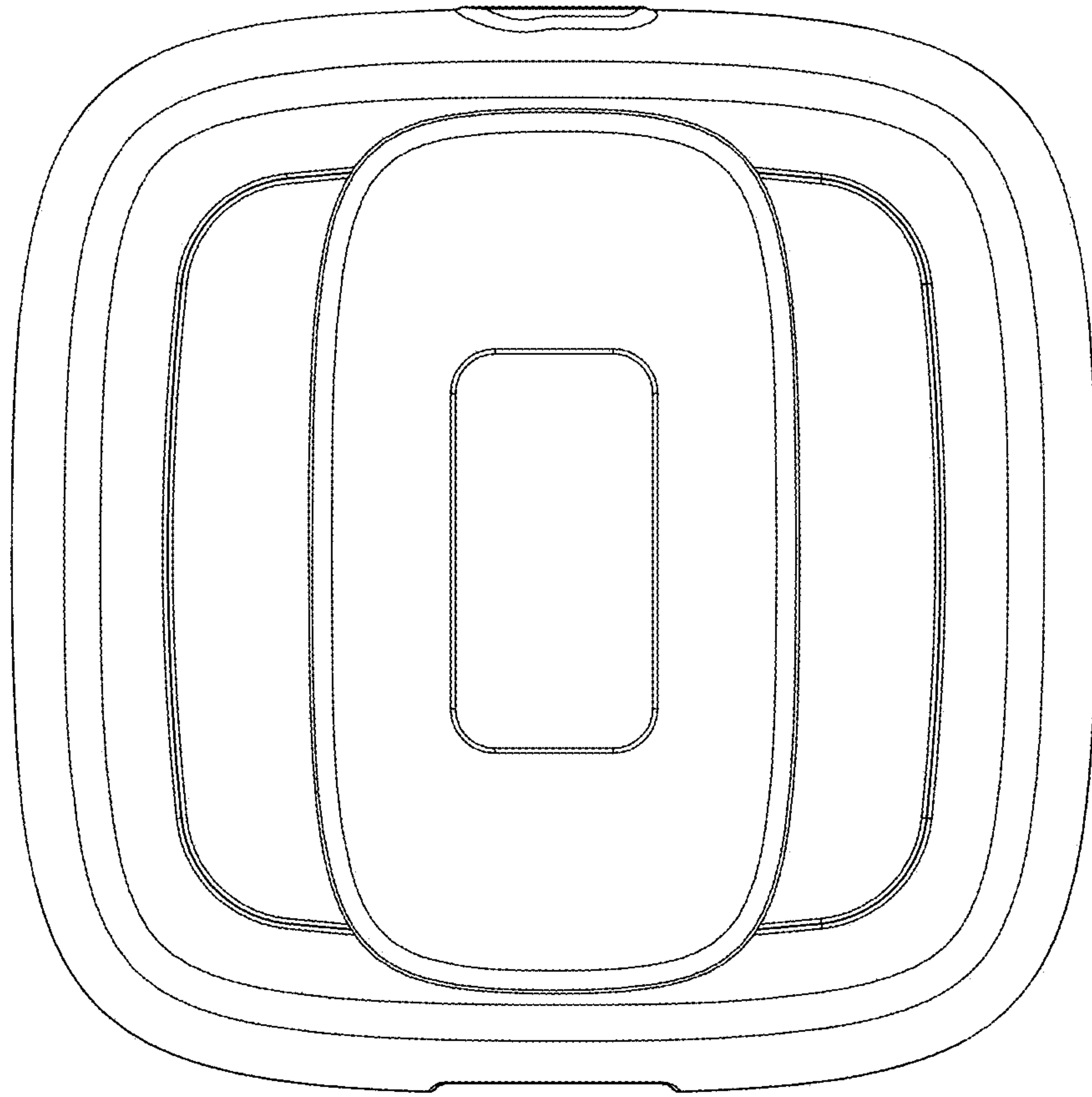


Fig. 4

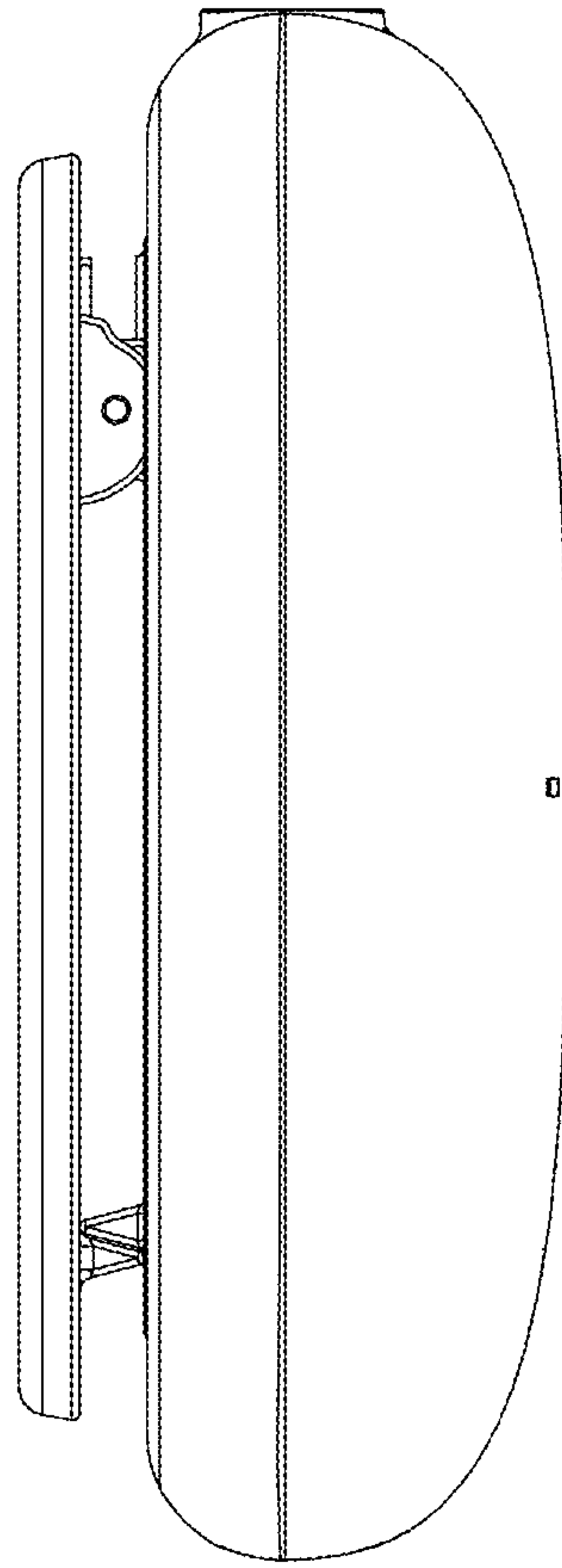


Fig. 5

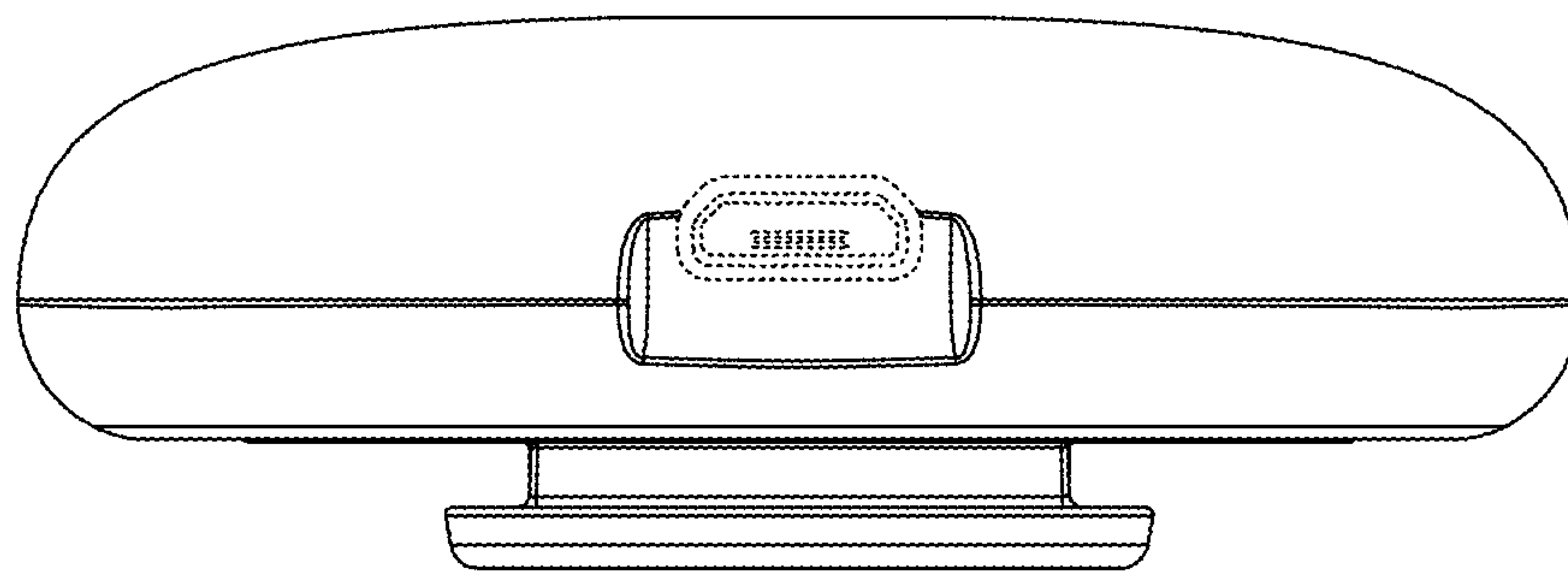


Fig. 6

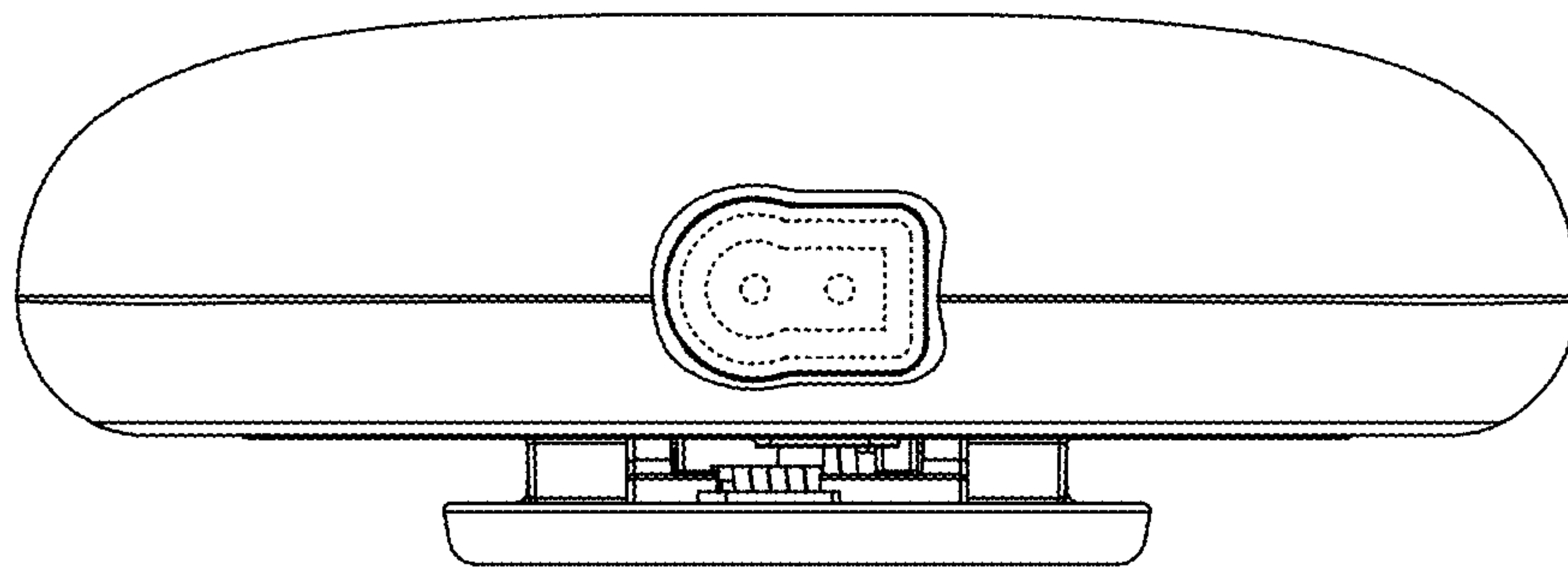


Fig. 7