



US00D921900S

(12) **United States Design Patent** (10) **Patent No.:** **US D921,900 S**  
**Verma** (45) **Date of Patent:** **\*\* Jun. 8, 2021**

(54) **HUMIDIFICATION TUB**  
(71) Applicant: **ResMed Pty Ltd**, Bella Vista (AU)  
(72) Inventor: **Hargopal Verma**, Sydney (AU)  
(73) Assignee: **ResMed Pty Ltd**, Bella Vista (AU)  
(\*\*) Term: **15 Years**

5,074,297 A 12/1991 Venegas  
5,181,508 A 1/1993 Poole, Jr.  
5,269,296 A 12/1993 Landis  
(Continued)

**FOREIGN PATENT DOCUMENTS**

EM 001312953-0001 3/2012  
EM 001312953-0002 3/2012  
(Continued)

(21) Appl. No.: **29/674,085**

**OTHER PUBLICATIONS**

(22) Filed: **Dec. 19, 2018**  
(51) **LOC (13) Cl.** ..... **24-02**  
(52) **U.S. Cl.**

ResMed S9™ Series, No Other Sleep Therapy System Delivers,  
2010 (12 pages).  
(Continued)

USPC ..... **D24/164**  
(58) **Field of Classification Search**  
USPC ..... D24/164, 110; D23/355-366, 352, 369,  
D23/332, 333, 335, 336, 342, 351;  
422/164, 110; 55/356, 473, 504; 96/97;  
261/DIG. 17, DIG. 65, DIG. 88, DIG. 31  
CPC ..... A61M 16/109; A61L 9/16; A61L 9/22;  
B01D 47/00; B01D 47/027; B01D  
2221/02; B01D 2259/4508; B03C 3/155;  
B03C 3/368; F24F 3/16; F24F 13/20;  
F24F 13/28

*Primary Examiner* — David G Muller  
(74) *Attorney, Agent, or Firm* — Nixon & Vanderhye P.C.

(57) **CLAIM**

The ornamental design for a humidification tub, as shown  
and described.

**DESCRIPTION**

See application file for complete search history.

FIG. 1 is a front perspective view of a humidification tub  
showing an embodiment of our new design;  
FIG. 2 is a front view thereof;  
FIG. 3 is a rear view thereof;  
FIG. 4 is a top view thereof;  
FIG. 5 is a bottom view thereof;  
FIG. 6 is a right side view thereof;  
FIG. 7 is a left side view thereof;  
FIG. 8 is a bottom perspective view thereof; and,  
FIG. 9 is another perspective view thereof.

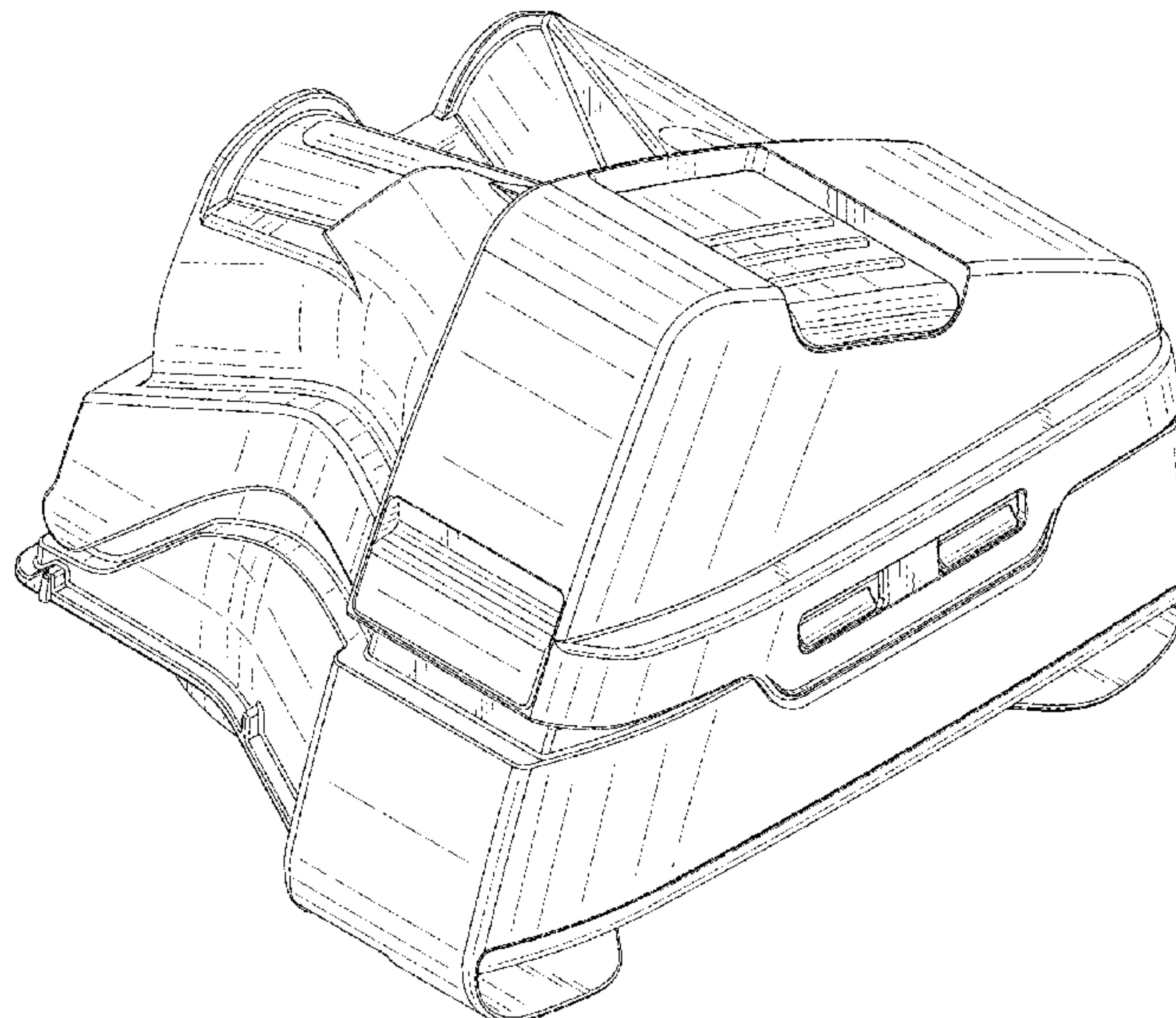
One or more views (e.g., bottom view) may not be shown as  
those views are unornamented or simply not claimed in a  
given embodiment.

The broken lines represent environmental structure or  
unclaimed portions of the humidification tub and do not  
form a portion of the claimed design.

(56) **References Cited**  
U.S. PATENT DOCUMENTS

2,073,335 A 3/1937 Karl  
2,516,864 A 8/1950 Gilmore  
2,524,522 A 10/1950 Gilmore  
2,954,802 A 10/1960 Duff  
3,163,707 A 12/1964 Darling  
D217,550 S 5/1970 Campbell  
3,908,952 A 9/1975 Von Alven  
D280,765 S 9/1985 Alvino  
4,817,598 A 4/1989 LaBombard  
4,823,784 A 4/1989 Bordoni  
D302,040 S 7/1989 Lambert

**1 Claim, 9 Drawing Sheets**



(56)

References Cited

U.S. PATENT DOCUMENTS

5,368,016 A	11/1994	Henry	
D360,027 S	7/1995	Psaros	
D378,128 S	2/1997	Rozek et al.	
D421,298 S	2/2000	Kenyon et al.	
D436,401 S	1/2001	Remes et al.	
D439,326 S	3/2001	Hecker	
D464,724 S	10/2002	Lynch et al.	
D467,335 S	12/2002	Lithgow et al.	
D473,941 S	4/2003	Cise	
D476,077 S	6/2003	Lithgow et al.	
6,578,571 B1	6/2003	Watt	
D476,731 S	7/2003	Cise	
6,644,305 B2	11/2003	MacRae	
D486,909 S	2/2004	Cise	
6,722,904 B2	4/2004	Linhart	
D493,520 S	7/2004	Bertinetti	
D493,884 S	8/2004	Vin et al.	
D497,203 S	10/2004	Lithgow et al.	
D500,847 S	1/2005	Manke et al.	
D504,945 S	5/2005	Van Brunt et al.	
D544,598 S	6/2007	Lithgow et al.	
7,226,302 B2	6/2007	Walter	
7,237,770 B2	7/2007	Lipscombe et al.	
D549,321 S *	8/2007	Snow	D24/110
D550,349 S	9/2007	Lithgow et al.	
D560,795 S *	1/2008	Lithgow	D24/110
D561,881 S	2/2008	Huang	
D561,890 S	2/2008	Lithgow et al.	
D561,891 S	2/2008	Lithgow et al.	
D570,473 S	6/2008	Hamaguchi et al.	
D572,355 S	7/2008	Gao	
D578,204 S	10/2008	Lithgow et al.	
D580,060 S	11/2008	Adams	
D580,062 S	11/2008	Adams	
D582,554 S	12/2008	Adams	
D583,059 S	12/2008	Adams	
D585,131 S *	1/2009	Trevor-Wilson	D24/110
D585,540 S	1/2009	Lithgow et al.	
D590,494 S	4/2009	Lithgow et al.	
D592,301 S	5/2009	Cork et al.	
D594,102 S	6/2009	Israel et al.	
D597,186 S	7/2009	Campbell et al.	
D602,585 S	10/2009	Blackwell et al.	
D604,830 S *	11/2009	Lithgow	D24/110
D606,655 S	12/2009	Wilkinson et al.	
D607,107 S	12/2009	McCombs et al.	
D609,318 S	2/2010	Lam	
D610,250 S	2/2010	Neuner	
D611,593 S	3/2010	Lithgow et al.	
D612,480 S	3/2010	Cork et al.	
D614,286 S	4/2010	Lithgow et al.	
D620,102 S	7/2010	Klien et al.	
D621,031 S	8/2010	Lithgow et al.	
D626,642 S	11/2010	Virr	
D627,044 S	11/2010	Virr	
D628,288 S	11/2010	Row et al.	
D629,891 S	12/2010	Virr et al.	
D629,892 S	12/2010	Hill et al.	
D635,232 S	3/2011	Virr	
D635,244 S	3/2011	Virr et al.	
D635,245 S	3/2011	Virr et al.	
D635,654 S	4/2011	Virr	
D638,432 S	5/2011	Flik	
D638,536 S	5/2011	Row et al.	
D638,537 S	5/2011	Virr et al.	
D638,933 S	5/2011	Hill et al.	
D643,114 S *	8/2011	Virr	D24/110
D644,731 S	9/2011	Fangrow, Jr.	
D650,479 S	12/2011	Row et al.	
D652,916 S	1/2012	Row et al.	
D652,917 S	1/2012	Hill et al.	
8,100,127 B2	1/2012	Worley	
D655,813 S	3/2012	Row et al.	
D658,283 S	4/2012	Burz et al.	
D658,755 S *	5/2012	Lithgow	D24/110
D659,235 S	5/2012	Bertinetti	
D663,412 S	7/2012	Virr	
D665,412 S	8/2012	Rai	
D666,724 S *	9/2012	Wilhelm	D24/164
D671,209 S	11/2012	Row et al.	
D675,730 S	2/2013	Lithgow et al.	
8,375,945 B2	2/2013	Kepler et al.	
D677,789 S	3/2013	Row et al.	
D679,374 S	4/2013	Virr	
D680,125 S	4/2013	Chaudhri	
D680,636 S	4/2013	Ching	
D682,406 S	5/2013	Yeom	
D685,896 S	7/2013	Niedermann et al.	
8,486,043 B2	7/2013	Iyer	
D688,788 S	8/2013	Spruell	
D693,005 S	11/2013	Nawata et al.	
D695,388 S	12/2013	Lithgow	
D696,393 S	12/2013	Lu	
D696,394 S *	12/2013	Lu	D24/110
D696,395 S *	12/2013	Burz	D24/110
D696,766 S *	12/2013	Maurer	D24/110
8,631,789 B2	1/2014	Virr et al.	
D699,356 S	2/2014	Patil	
D702,353 S	4/2014	Fujimoto et al.	
D703,311 S	4/2014	Daly	
D704,326 S	5/2014	Formica	
D707,334 S	6/2014	Hernandez	
D707,338 S	6/2014	Ediger et al.	
D708,316 S	7/2014	Bertinetti	
D709,180 S	7/2014	Rummery	
D710,493 S *	8/2014	Wu	D24/110
D710,494 S *	8/2014	Wu	D24/110
D710,989 S	8/2014	Bertinetti	
D716,419 S	10/2014	Hernandez	
D716,452 S	10/2014	Hutchison	
D719,248 S	12/2014	Smith, Jr. et al.	
8,905,031 B2	12/2014	Barlow	
D725,134 S	3/2015	Boettcher	
D727,511 S *	4/2015	Dehmke	D24/164
D729,936 S	5/2015	Reback	
D731,538 S	6/2015	Lee	
D733,733 S	7/2015	Bae	
D734,356 S	7/2015	Xiong	
D735,865 S	8/2015	Nishimura	
D736,248 S	8/2015	Chen	
D736,371 S	8/2015	Row	
D736,818 S	8/2015	Trabona	
D738,488 S	9/2015	Formica et al.	
D738,489 S	9/2015	Formica et al.	
D738,894 S	9/2015	Kim	
D739,864 S	9/2015	Kang	
D741,477 S	10/2015	Rogers	
D741,492 S *	10/2015	Formica	D24/164
D741,894 S	10/2015	Drozd	
D741,912 S	10/2015	Gomez	
D742,013 S *	10/2015	Helgeson	D24/164
D742,508 S	11/2015	Row	
D743,556 S	11/2015	Bath et al.	
D743,842 S	11/2015	La Guzza	
D743,976 S	11/2015	Wilberding	
D744,108 S	11/2015	Verma et al.	
D744,501 S	12/2015	Wilberding	
D744,520 S	12/2015	Mclaughlin	
D745,016 S	12/2015	Lee	
D745,528 S	12/2015	Lee	
D745,542 S	12/2015	Kim	
D745,880 S	12/2015	Lima	
D745,883 S	12/2015	Anderson	
D746,294 S	12/2015	Jung	
D746,311 S	12/2015	Ta	
D746,320 S	12/2015	Shardlow	
D746,831 S	1/2016	Chaudhri	
D746,850 S	1/2016	Steplyk	
D746,855 S	1/2016	Choi	
D746,858 S	1/2016	Vogt	
D746,864 S	1/2016	Dellinger	
D752,228 S	3/2016	Verma et al.	
D753,812 S *	4/2016	Salmon	D24/110
D753,829 S *	4/2016	Hutchison	D24/164



(56)

References Cited

U.S. PATENT DOCUMENTS

D756,519 S \* 5/2016 Adams ..... D24/164  
 D757,927 S 5/2016 Lubke  
 D759,234 S 6/2016 Bertinetti  
 D760,258 S 6/2016 Bertinetti et al.  
 D762,843 S 8/2016 Formica et al.  
 9,402,970 B2 8/2016 Virr  
 D771,799 S 11/2016 Formica et al.  
 D775,346 S 12/2016 Bath et al.  
 D776,256 S 1/2017 Formica et al.  
 D791,329 S 7/2017 Verma et al.  
 D798,428 S 9/2017 Cork et al.  
 D804,341 S \* 12/2017 Rowland ..... D10/96  
 D806,859 S 1/2018 Formica  
 D809,124 S 1/2018 Bertinetti et al.  
 D819,193 S 5/2018 Bertinetti  
 D822,817 S \* 7/2018 Maeckelberghe ..... D24/110  
 D828,528 S \* 9/2018 Evans ..... D23/358  
 D828,531 S \* 9/2018 Angarita Duran ..... D23/366  
 D832,996 S 11/2018 Formica et al.  
 D837,969 S \* 1/2019 Sutherland ..... D24/110  
 D857,189 S \* 8/2019 Formica ..... D24/110  
 D859,638 S \* 9/2019 Swanbury ..... D24/110  
 D861,149 S \* 9/2019 Crafoord ..... D23/364  
 D892,303 S \* 8/2020 Formica ..... D24/110  
 D894,369 S \* 8/2020 Salmon ..... D24/110  
 2006/0106345 A1 5/2006 Flaker et al.  
 2007/0169776 A1 7/2007 Kepler et al.  
 2007/0277828 A1 12/2007 Ho  
 2009/0025724 A1 1/2009 Herron, Jr.  
 2009/0123886 A1 5/2009 Vaska  
 2009/0223514 A1 9/2009 Smith et al.  
 2010/0116272 A1 5/2010 Row et al.  
 2010/0307502 A1 12/2010 Rummery  
 2011/0017212 A1 1/2011 Kenyon et al.  
 2011/0023874 A1 2/2011 Bath  
 2011/0100363 A1 5/2011 Barclay et al.  
 2011/0155132 A1 6/2011 Virr et al.  
 2011/0180068 A1 7/2011 Kenyon et al.  
 2012/0227738 A1 9/2012 Virr  
 2012/0285454 A1 11/2012 Nibu et al.  
 2012/0304994 A1 12/2012 Kwok

2013/0008440 A1 1/2013 Maurer et al.  
 2013/0011823 A1 1/2013 Hassanein et al.  
 2013/0206140 A1 8/2013 Kepler et al.  
 2013/0239961 A1 9/2013 Ross et al.  
 2013/0263854 A1 10/2013 Taylor et al.  
 2013/0280055 A1 10/2013 Daly et al.  
 2014/0130802 A1 5/2014 Virr et al.  
 2014/0202460 A1 7/2014 Bath et al.  
 2014/0208241 A1 7/2014 Charles  
 2014/0216459 A1 8/2014 Vos et al.  
 2014/0246025 A1 9/2014 Cragg et al.  
 2015/0030317 A1 \* 1/2015 Bayer ..... F22B 1/284  
 392/403  
 2015/0273167 A1 10/2015 Feldhahn  
 2015/0277733 A1 10/2015 Schwaibold  
 2015/0283350 A1 10/2015 Miller  
 2015/0306326 A1 10/2015 Graham  
 2015/0306332 A1 10/2015 Bafle  
 2015/0335851 A1 11/2015 Cullen et al.  
 2015/0359989 A1 12/2015 Potharaju et al.

FOREIGN PATENT DOCUMENTS

EM 001312953-0003 3/2012  
 EM 001312953-0004 3/2012  
 EM 001312953-0005 3/2012  
 EP 2 703 034 A2 8/2013  
 WO WO 2011/056080 A1 5/2011  
 WO WO 2012/160477 A1 11/2012

OTHER PUBLICATIONS

Philips Respironics, System One Sleep Therapy System, May 2012 (2 pages).  
 Fisher & Paykel Healthcare, Icon Brochure, 2010 (2 pages).  
 Fisher & Paykel Healthcare, Icon User Manual, Jan. 2010 (214 pages).  
 Huby et al., U.S. Appl. No. 61/838,971, filed Jun. 25, 2013, for "Outlet Connection Assembly and Method of Making the Same".  
 Foote et al., U.S. Appl. No. 61/987,245, filed May 3, 2015, for "Outlet Connection Assembly and Method of Making the Same".

\* cited by examiner

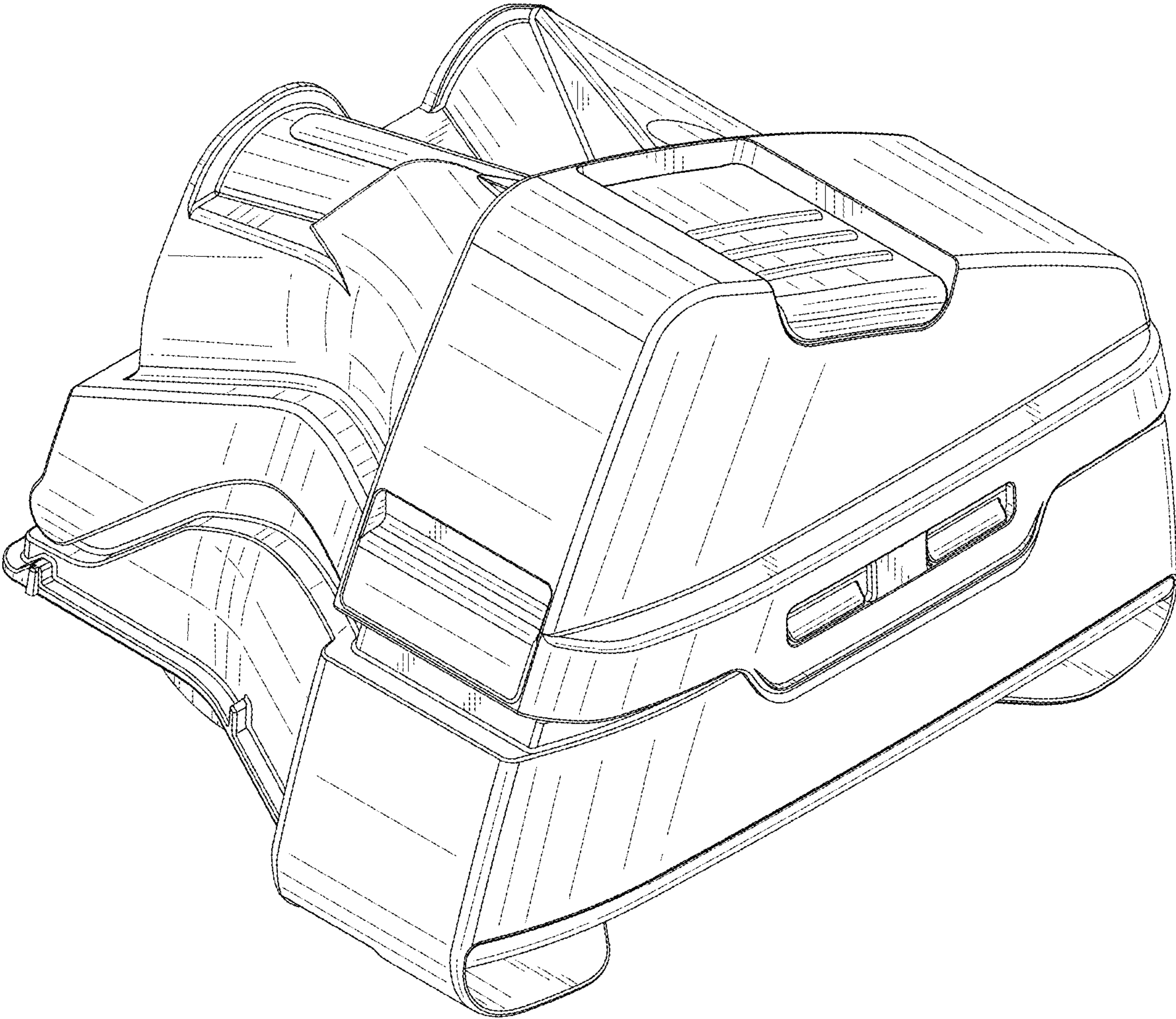


FIG. 1

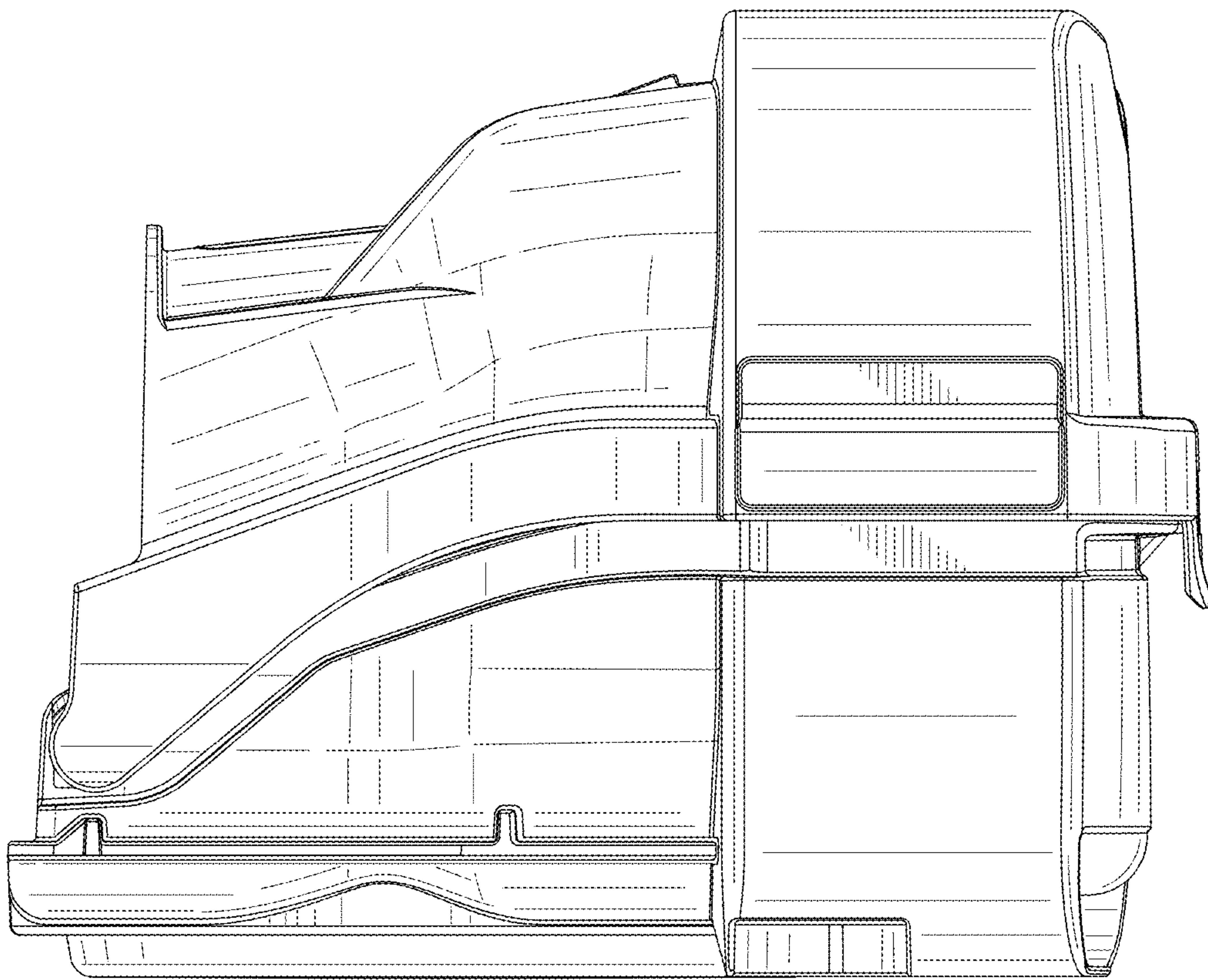


FIG. 2



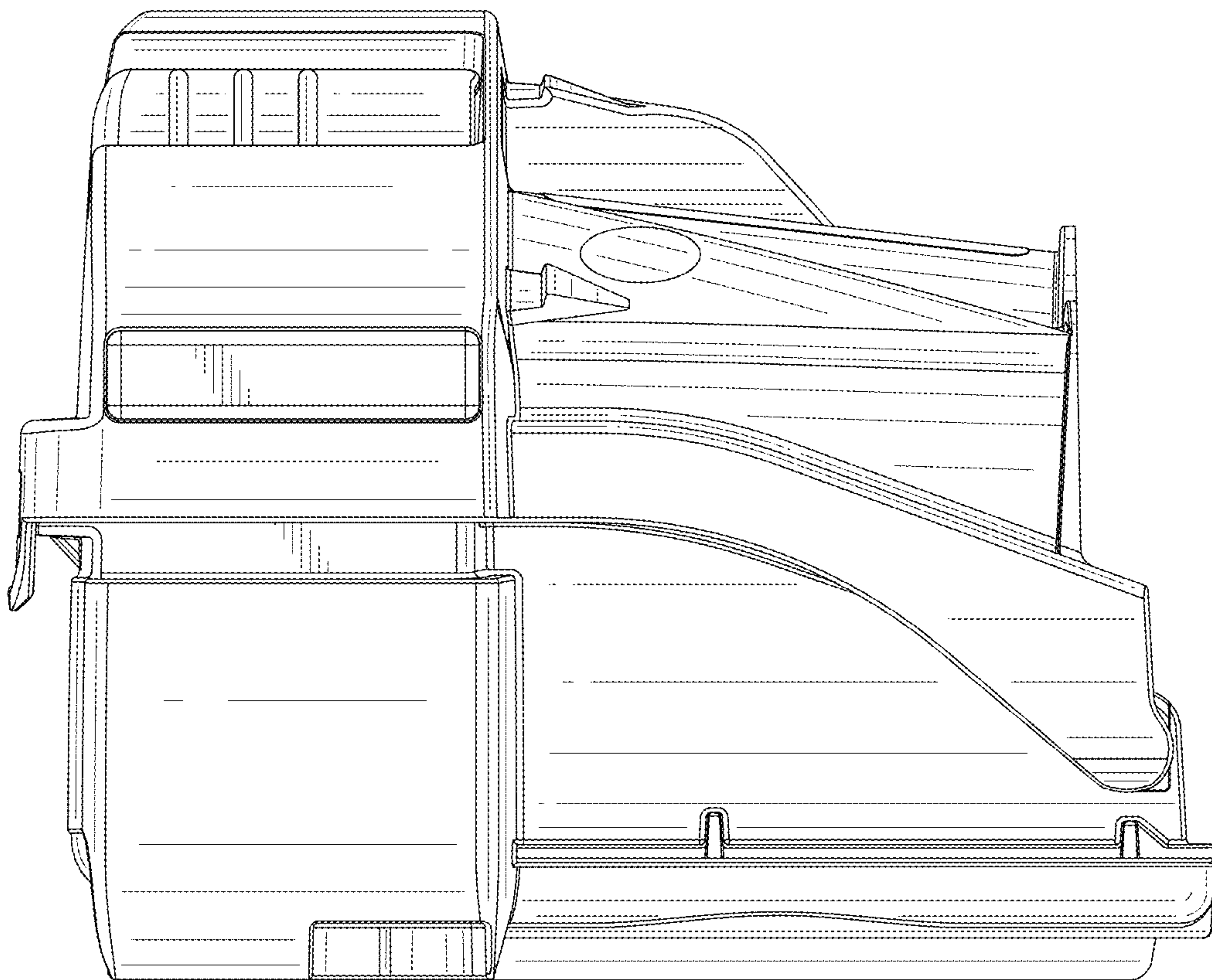
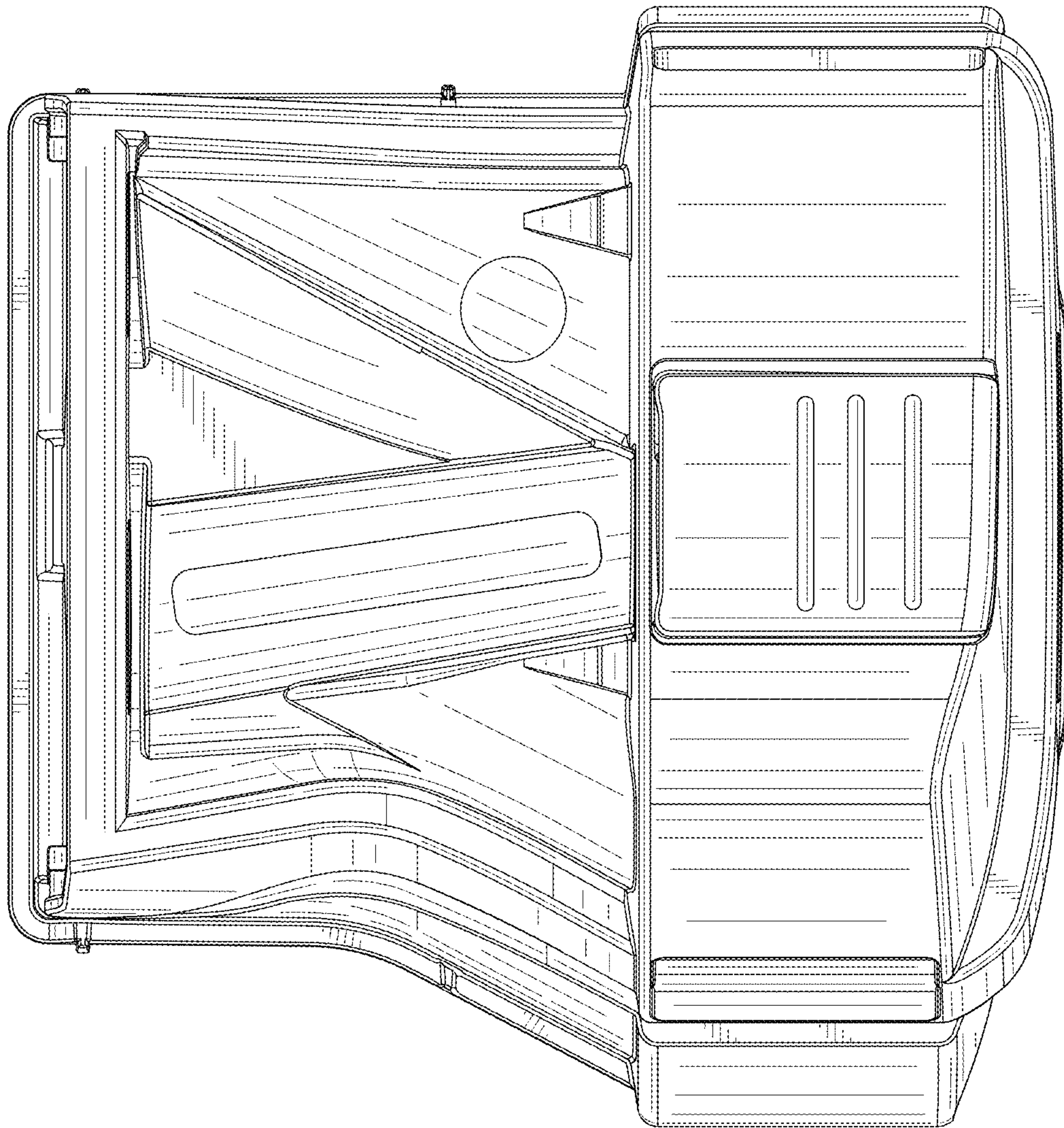


FIG. 3



**FIG. 4**

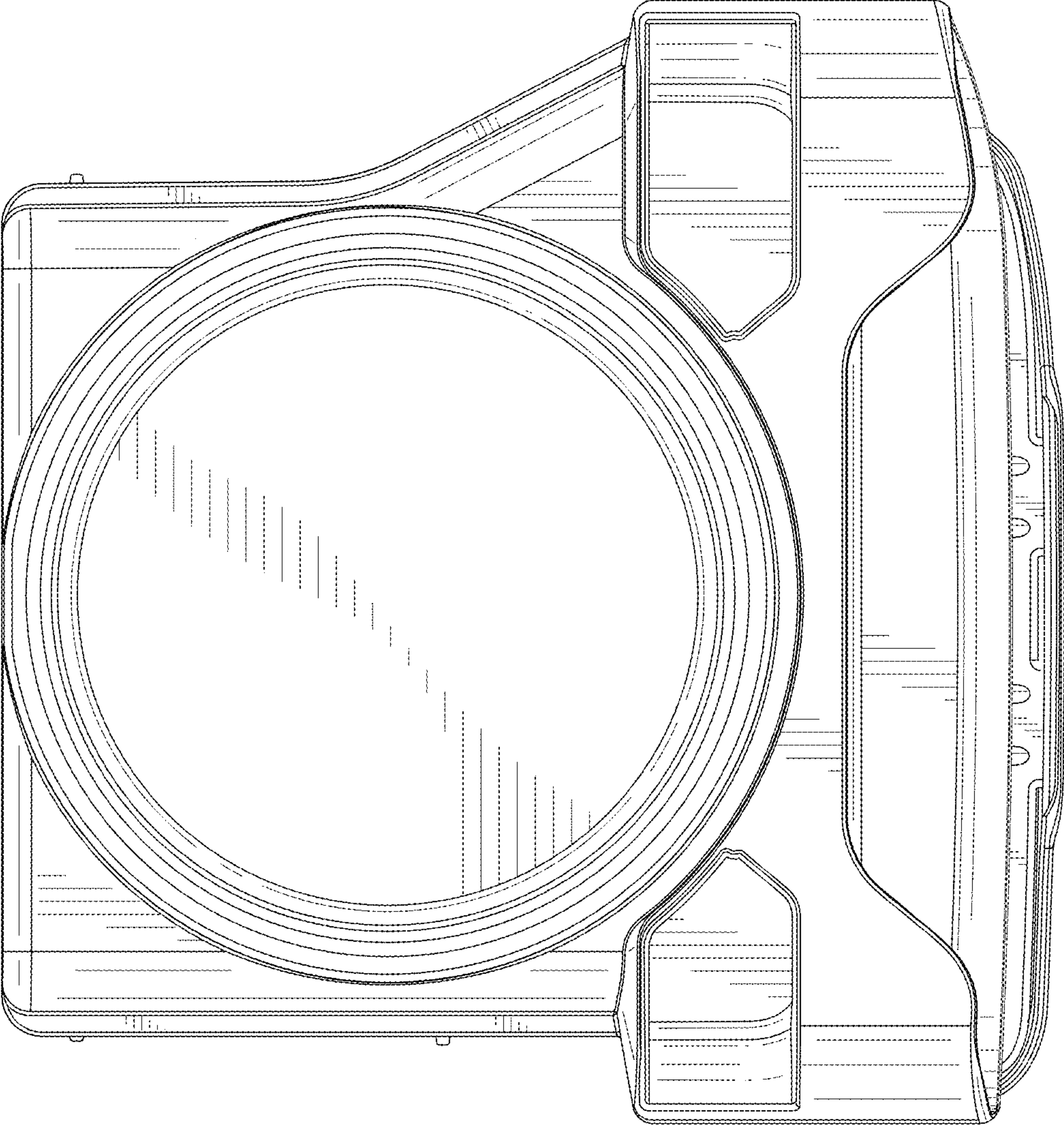


FIG. 5



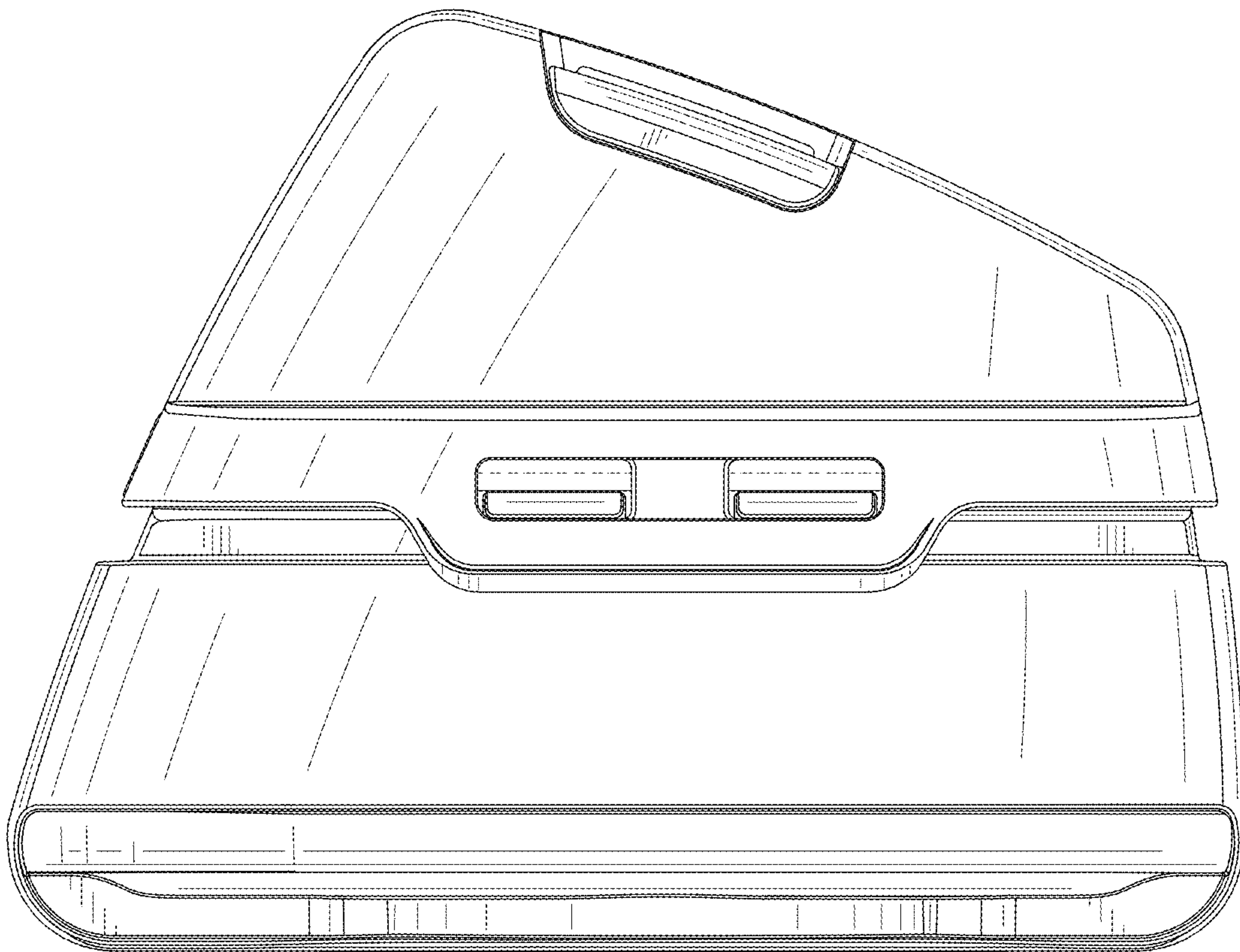


FIG. 6

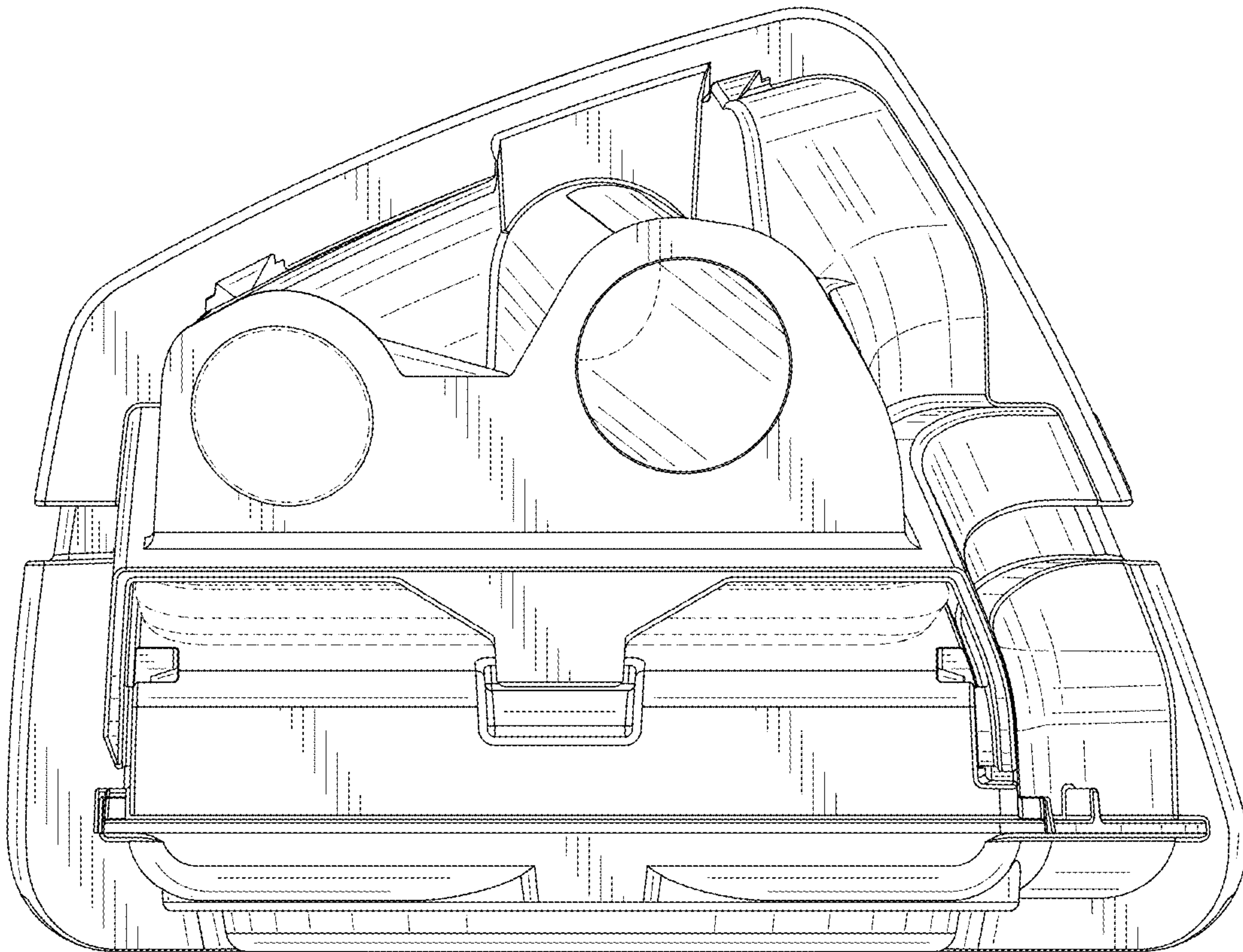
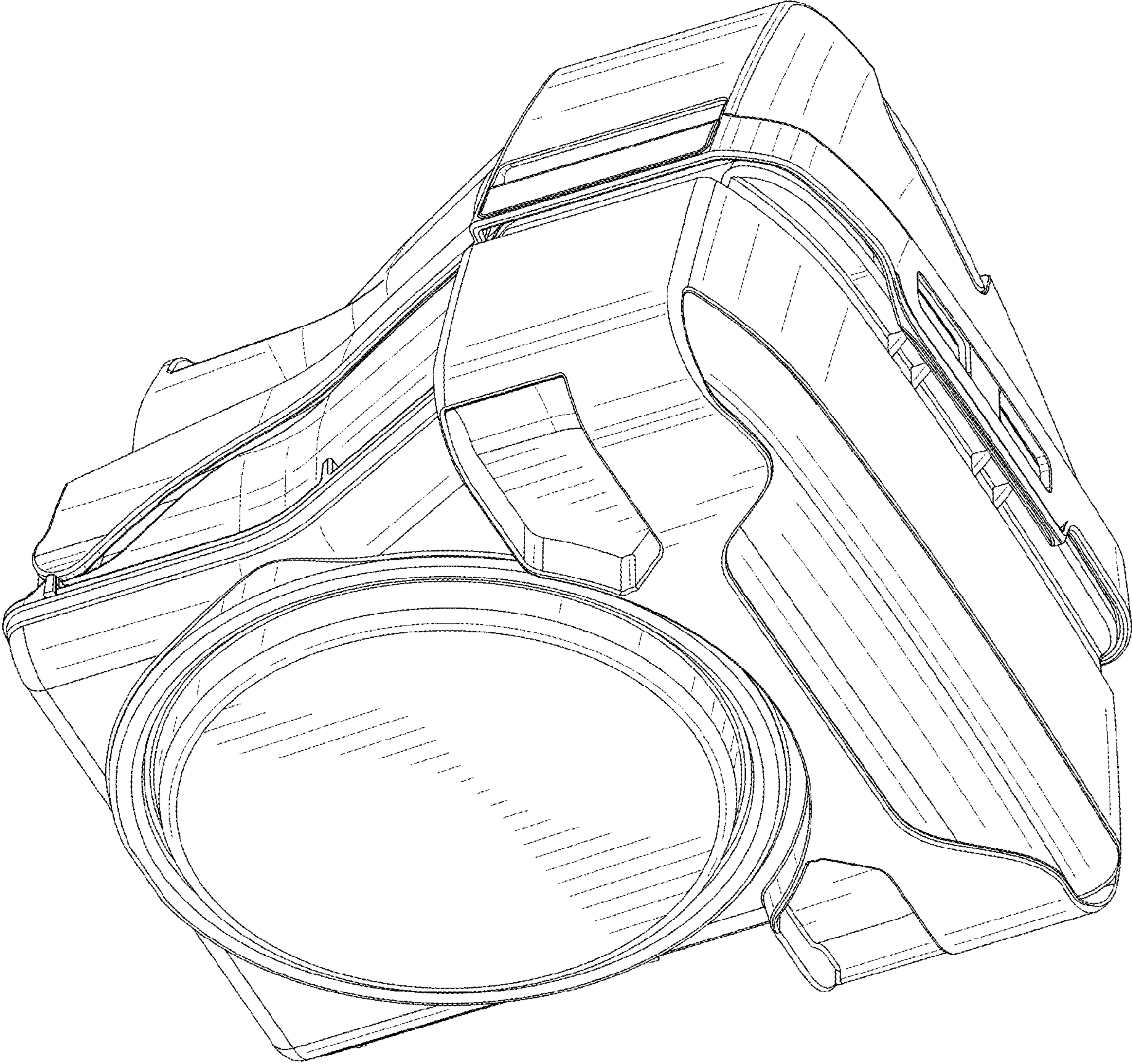
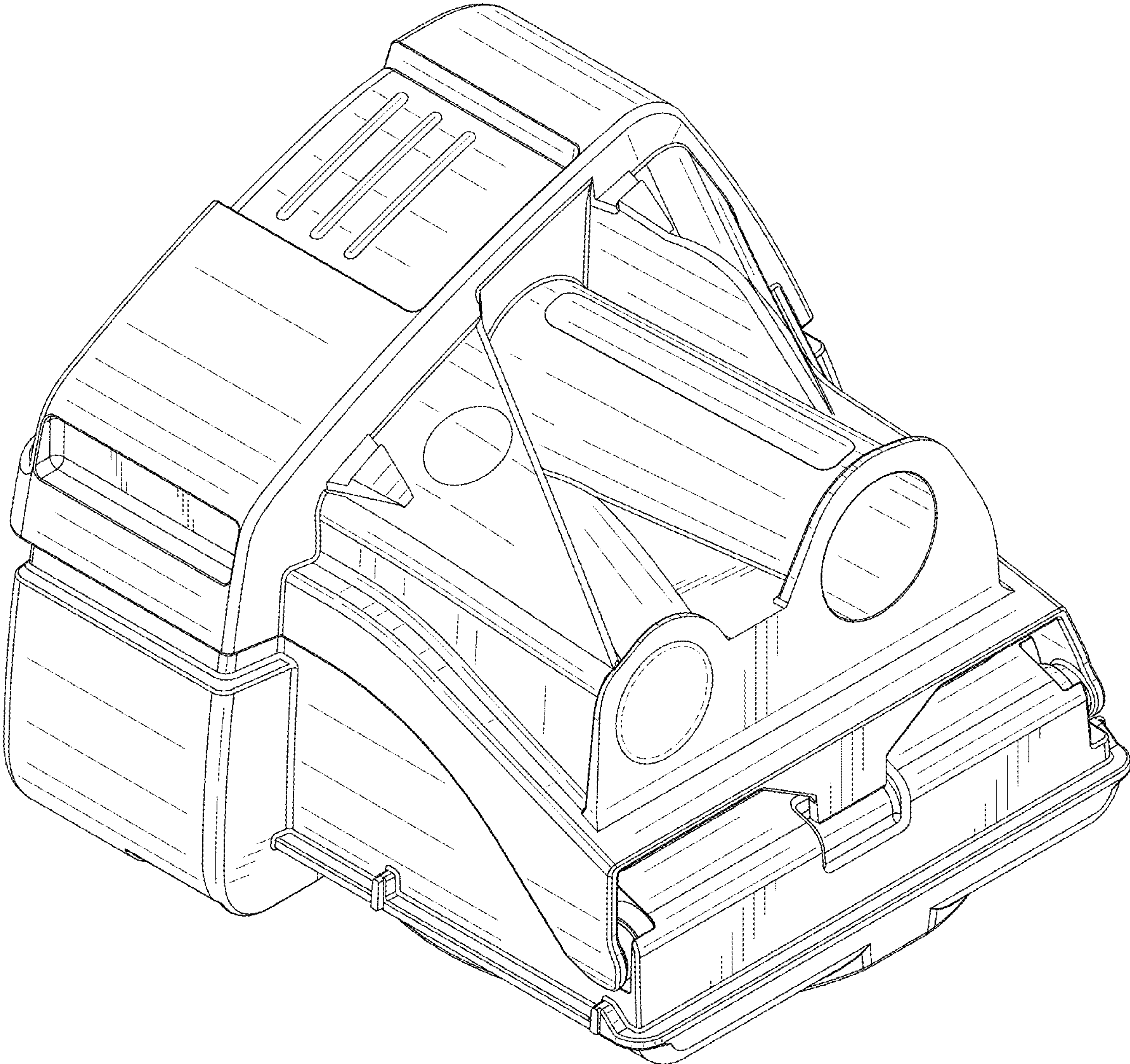


FIG. 7



**FIG. 8**





**FIG. 9**