



US00D921894S

(12) **United States Design Patent**  
**Milella, Jr. et al.**

(10) **Patent No.:** **US D921,894 S**  
(45) **Date of Patent:** **\*\* Jun. 8, 2021**

(54) **OFFSET T-SHAPED HANDLE FOR SURGICAL TOOLS**

(71) Applicant: **ECA Medical Instruments, Inc.**,  
Newbury Park, CA (US)

(72) Inventors: **Michael J Milella, Jr.**, Thousand Oaks,  
CA (US); **Lane Aaron Hale**, Thousand  
Oaks, CA (US)

(73) Assignee: **ECA Medical Instruments, Inc.**,  
Newbury Park (CA)

(\*\*) Term: **15 Years**

(21) Appl. No.: **29/713,239**

(22) Filed: **Nov. 14, 2019**

(51) **LOC (13) Cl.** ..... **24-02**

(52) **U.S. Cl.**  
USPC ..... **D24/133**

(58) **Field of Classification Search**  
USPC ..... D24/108, 112, 113, 114, 115, 116, 117,  
D24/127, 133, 134, 136, 137, 138, 143,  
D24/145, 200; D8/14, 16, 19, 21, 82, 83,  
D8/84, 85, 86, 107, 34, 300, 303, 314,  
D8/372, 374, 394, 77

CPC .... A61M 25/0136; A61B 17/00; A61B 17/62;  
A61B 17/64; A61B 17/645; A47J 43/26;  
B25B 13/463; B25B 13/468; B25B 15/04;  
B25G 1/005; B25G 1/085

See application file for complete search history.

(56) **References Cited**

**U.S. PATENT DOCUMENTS**

D113,158 S \* 1/1939 Cashmore ..... D8/82  
2,729,124 A \* 1/1956 Farandatos ..... B67B 7/08  
81/3.2  
4,291,597 A \* 9/1981 Allen ..... B67B 7/0447  
81/3.48

D339,279 S \* 9/1993 Baum ..... D8/83  
D339,410 S \* 9/1993 Gottwald ..... D23/241  
D356,239 S \* 3/1995 Lin ..... D8/82  
D377,444 S \* 1/1997 Lin ..... D8/107  
D378,797 S \* 4/1997 Poremba ..... D8/107  
D391,443 S \* 3/1998 Candianides ..... D7/393  
D392,535 S \* 3/1998 Vasudeva ..... D8/107  
D393,787 S \* 4/1998 Savoie ..... D8/21  
D394,794 S \* 6/1998 Vasudeva ..... D8/107  
5,822,830 A \* 10/1998 Lin ..... B25G 1/005  
16/422

(Continued)

**OTHER PUBLICATIONS**

Silicone Handle with couplings, [site visited Jan. 25, 2021], Available from Internet. URL: <https://medtorque.com/our-products/single-procedure-torque-limiting-drivers/> (Year: 2021).\*

*Primary Examiner* — T Chase Nelson

*Assistant Examiner* — Kelly L Gross

(74) *Attorney, Agent, or Firm* — Ferguson Case Orr  
Paterson

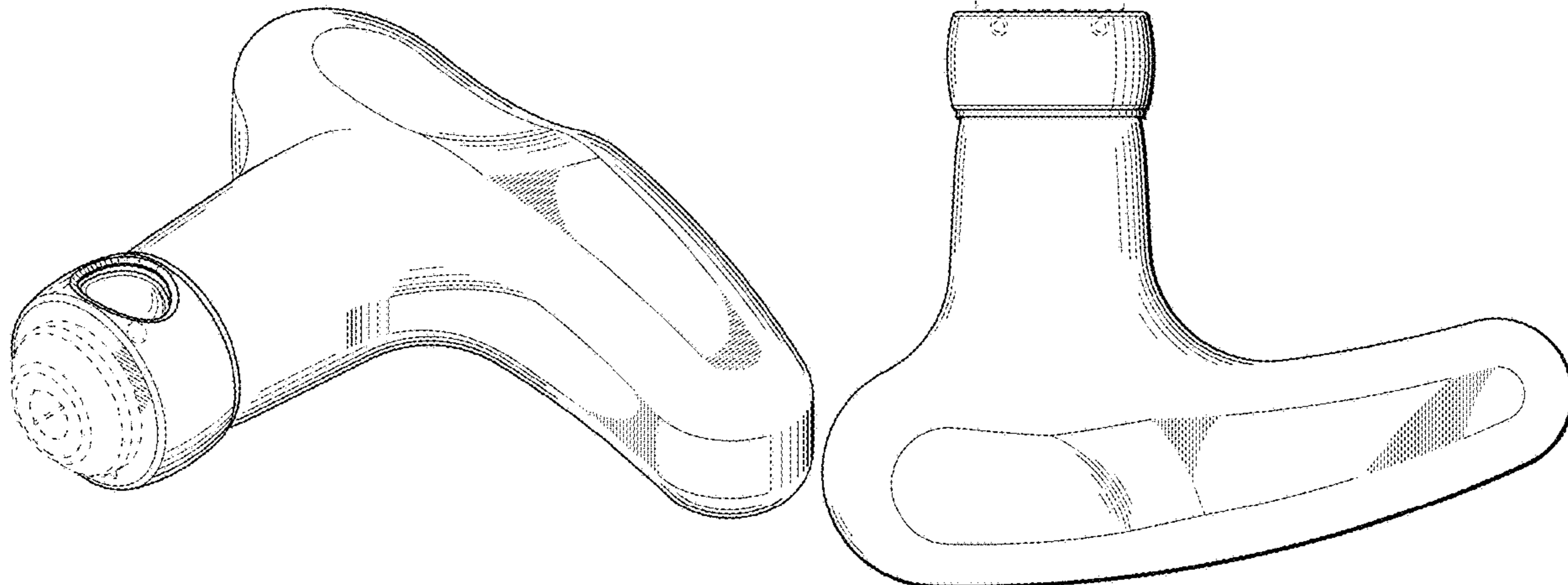
(57) **CLAIM**

The ornamental design for a offset T-shaped handle for surgical tools, as shown and described herein.

**DESCRIPTION**

FIG. 1 is top, front, right-side perspective view of an offset t-shaped handle for surgical tools showing the new design. FIG. 2 is a front elevation view thereof. FIG. 3 is a rear elevation view thereof. FIG. 4 is a left side elevation view thereof. FIG. 5 is a right side elevation view thereof. FIG. 6 is a top plan view thereof; and, FIG. 7 is a bottom plan view thereof. The broken lines in the drawings are included to show portions of the article that form no part of the claimed design.

**1 Claim, 3 Drawing Sheets**



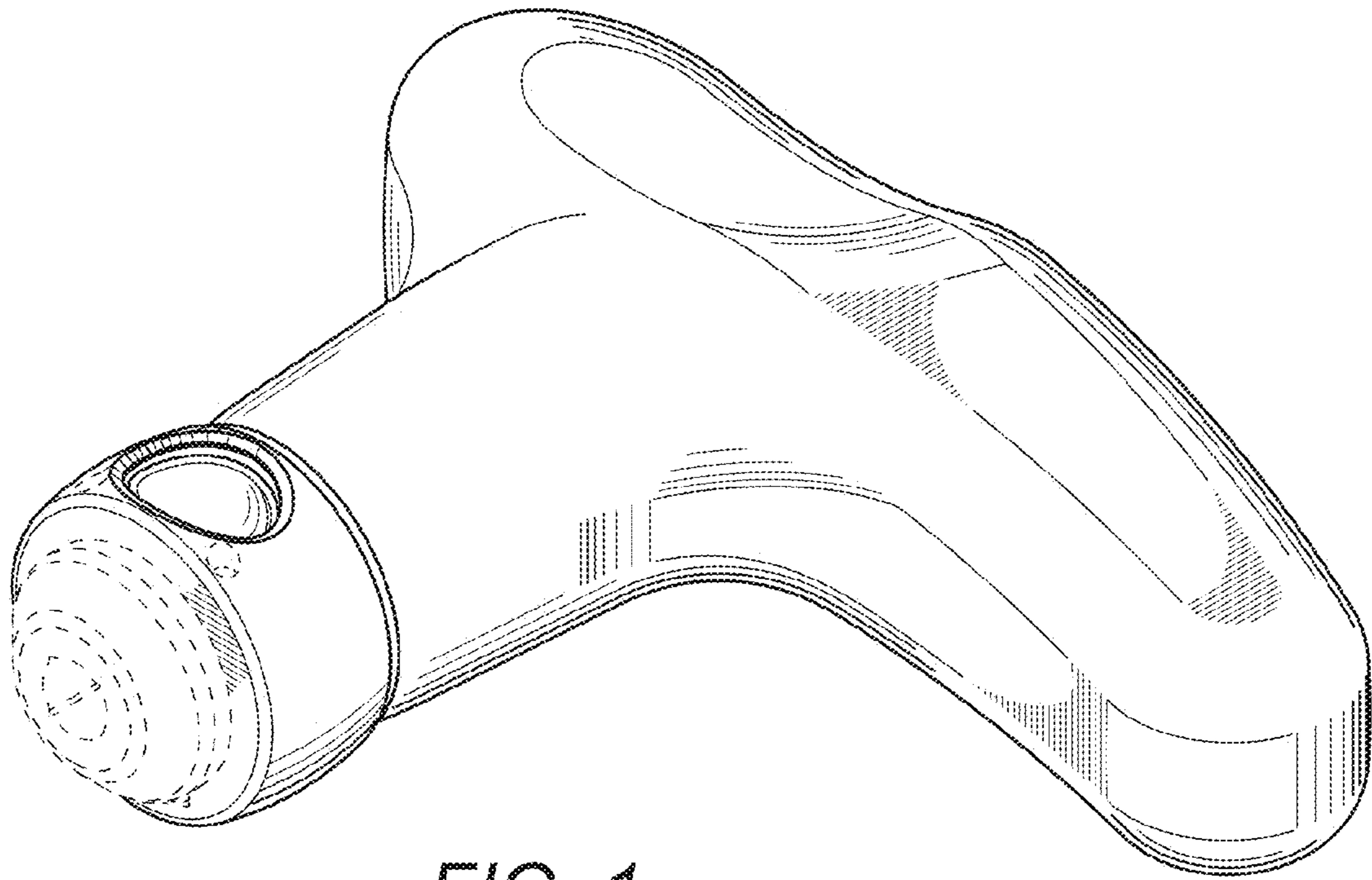
(56)

References Cited

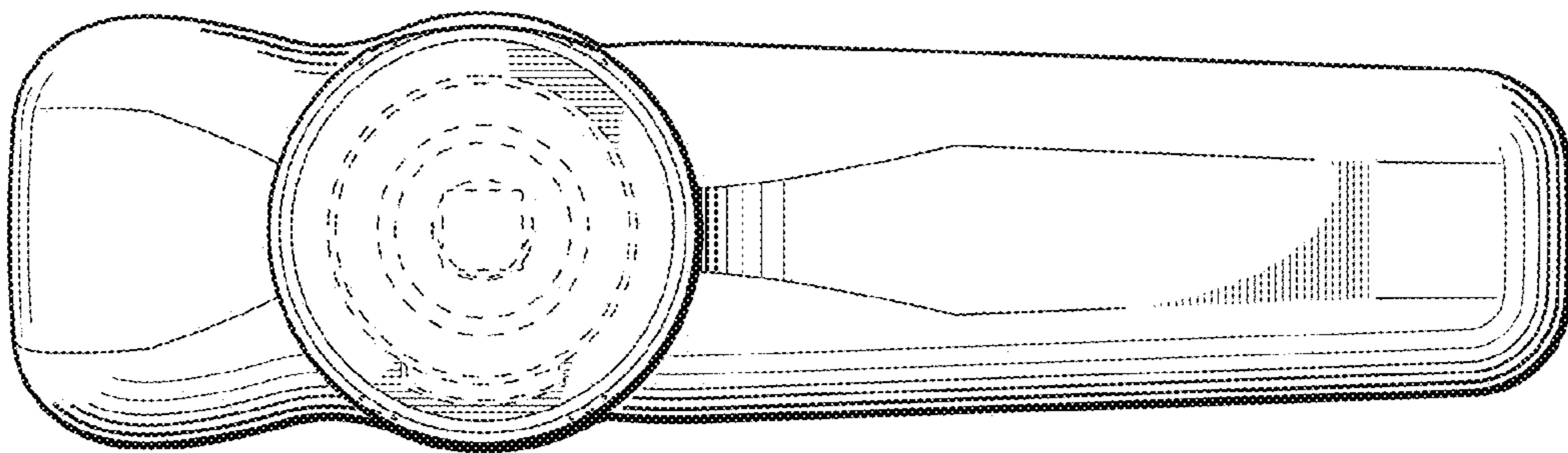
U.S. PATENT DOCUMENTS

D409,463 S *	5/1999	McMullin	D8/21	D679,824 S *	4/2013	Forest	D24/214
D412,547 S *	8/1999	Fong	D21/793	D683,662 S *	6/2013	Vloemans	D12/114
D420,885 S *	2/2000	Lin	D8/107	D686,051 S *	7/2013	Darbinyan	B25B 13/28 D8/25
D448,633 S *	10/2001	Langlois	D8/107	D687,690 S *	8/2013	Chen	D8/26
D454,045 S *	3/2002	Rinner	D8/107	D696,922 S *	1/2014	Cubillo	D8/303
D475,262 S *	6/2003	Hsieh	D8/42	D711,708 S *	8/2014	Larson	D8/21
D482,586 S *	11/2003	Puerta	D8/82	D719,005 S *	12/2014	Goddard	D8/105
D489,456 S *	5/2004	Groenke	D24/133	D724,410 S *	3/2015	Han	D8/307
D515,802 S *	2/2006	Grierson	D3/7	D728,993 S *	5/2015	Barberi	D7/393
D515,859 S *	2/2006	Gilbert	D6/550	D731,284 S *	6/2015	Goddard	D8/105
D517,634 S *	3/2006	Nunez	D21/789	D734,114 S *	7/2015	Robinson	D8/83
D530,588 S *	10/2006	Wang	D8/107	D734,115 S *	7/2015	Robinson	D8/83
D543,088 S *	5/2007	Ricereto	D8/310	9,132,536 B2 *	9/2015	Nino	C09J 5/00
D543,435 S *	5/2007	Roberts, III	D8/308	D742,188 S *	11/2015	Sandelin	D8/14
D544,201 S *	6/2007	Berl	D3/12	D742,189 S *	11/2015	Sandelin	D8/14
D545,933 S *	7/2007	Dow	D21/789	D744,310 S *	12/2015	Davis, Sr.	D8/81
D547,624 S *	7/2007	Strahorn	D8/21	D744,422 S *	12/2015	Landry	D13/133
D554,455 S *	11/2007	Ranieri	D8/107	D751,193 S *	3/2016	Griffith	A61J 15/0065 D24/130
D557,584 S *	12/2007	Gao	D8/107	9,278,436 B2 *	3/2016	Hsieh	B25B 15/04
D564,323 S *	3/2008	Zubiaurre Alberdi	D8/77	D754,512 S *	4/2016	Nelson	D8/83
D565,380 S *	4/2008	Rinner	D8/107	D755,602 S *	5/2016	Marcus	D8/85
7,373,860 B1 *	5/2008	Rinner	B25G 1/105 16/430	D772,684 S *	11/2016	Zimmer	D8/307
D586,634 S *	2/2009	Lai	D8/21	D777,551 S *	1/2017	Huang	D8/83
D591,860 S *	5/2009	Aparici	D24/133	D782,270 S *	3/2017	Bast	D8/107
D601,398 S *	10/2009	Youngren	D8/78	9,597,786 B2 *	3/2017	Romo	A61B 17/8875
D608,191 S *	1/2010	Radle	D8/396	D784,105 S *	4/2017	Nelson	D8/83
D613,139 S *	4/2010	Lai	D8/21	9,630,301 B2 *	4/2017	Ryans	B25B 13/463
D613,144 S *	4/2010	Lin	D8/83	D786,647 S *	5/2017	Bast	D8/107
D618,527 S *	6/2010	Deguglimo	D8/29	D787,296 S *	5/2017	Zimmer	D8/307
D618,977 S *	7/2010	Ruhland	D8/77	D797,533 S *	9/2017	Hu	D8/42
D625,973 S *	10/2010	Hunton	D8/40	D797,540 S *	9/2017	Bast	D8/107
D637,065 S *	5/2011	Krietzman	D8/356	D799,302 S *	10/2017	Bast	D8/107
D646,384 S *	10/2011	Gauthier	D24/133	D809,892 S *	2/2018	Bullard	B25D 1/14 D8/75
D646,385 S *	10/2011	Gauthier	D24/133	D818,338 S *	5/2018	Jones	D8/77
D646,387 S *	10/2011	Bast	D24/133	D819,421 S *	6/2018	Huner	D8/76
D646,523 S *	10/2011	Johnson	D7/398	D824,130 S *	7/2018	Vosbikian	D32/52
D646,783 S *	10/2011	Bast	D24/133	D824,626 S *	7/2018	Vosbikian	D32/52
D647,201 S *	10/2011	Gauthier	D24/133	D839,710 S *	2/2019	Bast	D8/107
D647,671 S *	10/2011	Stein	D32/14	D856,767 S *	8/2019	Cai	D8/21
D648,433 S *	11/2011	Bast	D24/133	D860,749 S *	9/2019	Rubinstein	D8/78
D649,423 S *	11/2011	Robinson	D8/83	D860,771 S *	9/2019	Feng	D8/387
D649,632 S *	11/2011	Morgan	D24/127	D880,973 S *	4/2020	Bast	D8/107
D649,635 S *	11/2011	Cronin	D24/133	D883,480 S *	5/2020	Leibowitz	D24/133
D654,589 S *	2/2012	Bast	D24/133	D884,889 S *	5/2020	Cahill	D24/133
D655,589 S *	3/2012	Owens	D8/51	D887,561 S *	6/2020	Cheng	D24/187
D658,437 S *	5/2012	Johnson	D7/398	D891,218 S *	7/2020	Su	D8/107
D662,386 S *	6/2012	Abell	D8/107	D906,518 S *	12/2020	Krammer	D24/129
D663,025 S *	7/2012	Bast	D24/133	2001/0039855 A1 *	11/2001	Usbeck	B67B 7/0447 81/3.36
D664,408 S *	7/2012	Mitchell	D8/21	2003/0188605 A1 *	10/2003	Chang	B25G 1/066 81/60
D667,710 S *	9/2012	Fossum	D8/21	2010/0179560 A1 *	7/2010	Chenau	A61B 17/8875 606/104
D668,761 S *	10/2012	Schad	D24/133	2010/0288087 A1 *	11/2010	Lai	B25G 1/085 81/490
D668,921 S *	10/2012	Fossum	D8/21				
D673,831 S *	1/2013	Molina	D8/83				
D673,832 S *	1/2013	Molina	D8/83				
D679,393 S *	4/2013	Griffith	D24/129				

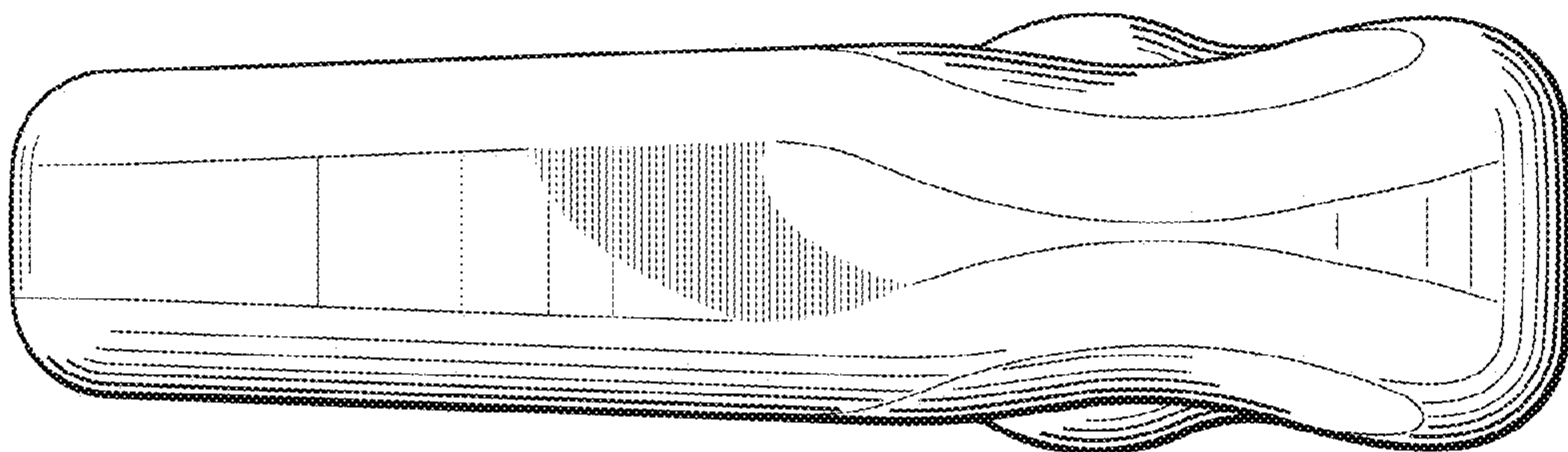
\* cited by examiner



*FIG. 1*



*FIG. 2*



*FIG. 3*

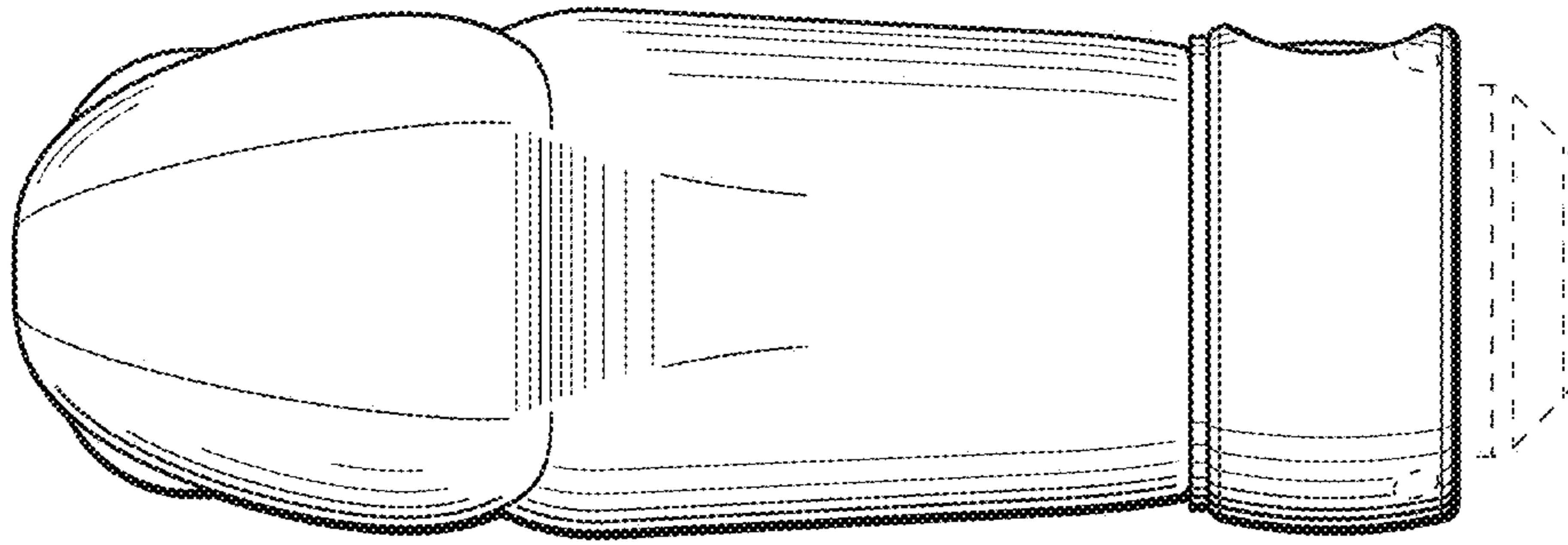


FIG. 4

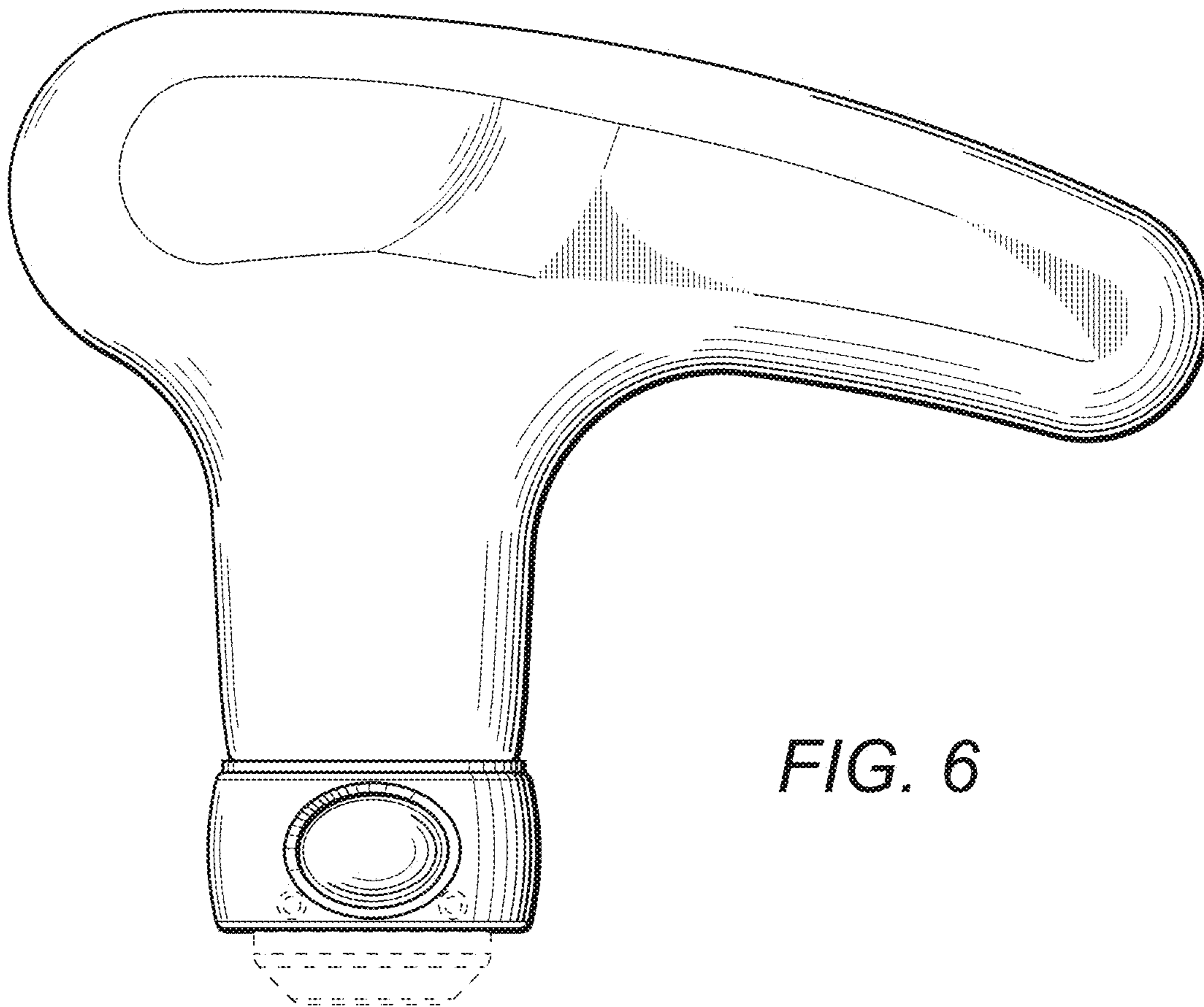


FIG. 6

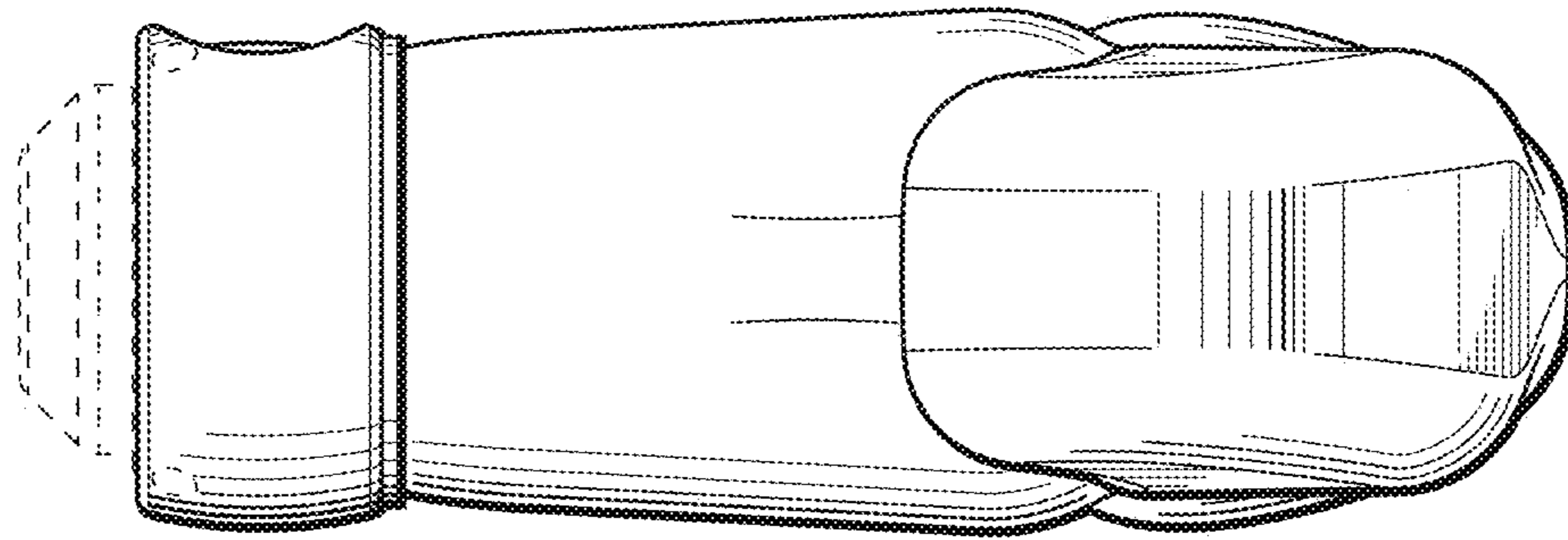


FIG. 5

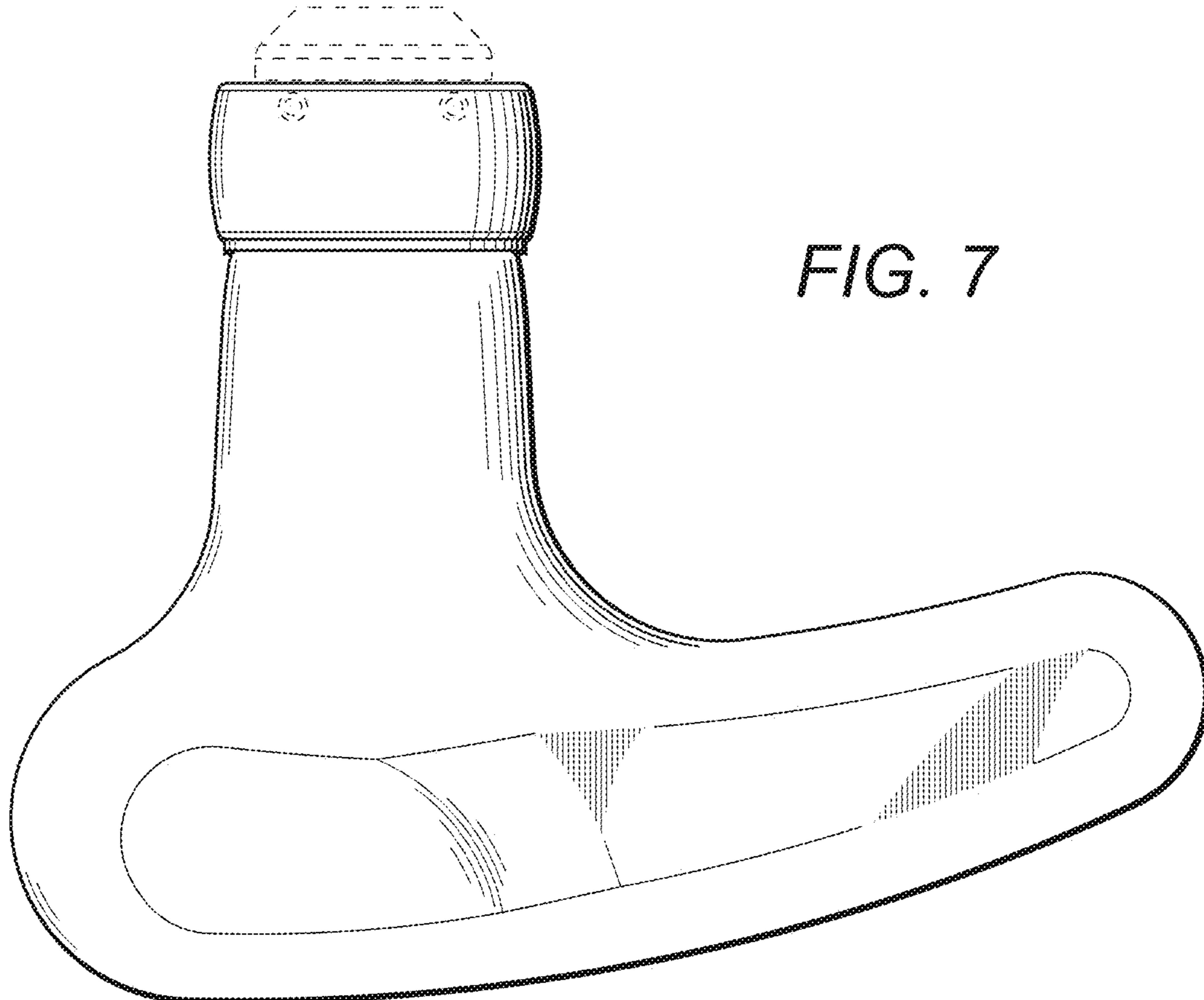


FIG. 7