



US00D921893S

(12) **United States Design Patent**
Milella, Jr. et al.

(10) **Patent No.:** **US D921,893 S**
(45) **Date of Patent:** **** Jun. 8, 2021**

(54) **T-SHAPED HANDLE FOR SURGICAL TOOLS**

(71) Applicant: **ECA Medical Instruments, Inc.**,
Newbury Park, CA (US)

(72) Inventors: **Michael J. Milella, Jr.**, Thousand
Oaks, CA (US); **Sarah Elizabeth
Schaake**, Centennial, CO (US); **Lane
Aaron Hale**, Thousand Oaks, CA (US)

(73) Assignee: **ECA Medical Instruments, Inc.**,
Newbury Park, CA (US)

(**) Term: **15 Years**

(21) Appl. No.: **29/713,238**

(22) Filed: **Nov. 14, 2019**

(51) **LOC (13) Cl.** **24-02**

(52) **U.S. Cl.**
USPC **D24/133**

(58) **Field of Classification Search**
USPC D24/108, 112, 113, 114, 115, 116, 117,
D24/127, 133, 134, 136, 137, 138, 143,
D24/145, 200; D8/14, 16, 19, 21, 82, 83,
D8/84, 85, 86, 107, 34, 300, 303, 314,
D8/372, 374, 394, 77
CPC A61M 25/0136; A61B 17/00; A61B 17/62;
A61B 17/64; A61B 17/645; A47J 43/26;
B25B 13/463; B25B 13/468; B25B 15/04;
B25G 1/005; B25G 1/085
See application file for complete search history.

(56) **References Cited**

U.S. PATENT DOCUMENTS

109,958 A * 12/1870 Smith B67B 7/12
81/3.48
297,232 A * 4/1884 Curley B67B 7/12
81/3.48

350,702 A * 10/1886 Schollhorn B65D 51/243
215/226
476,777 A * 6/1892 Beust B65D 51/243
215/226
1,062,458 A * 5/1913 Hainisch B67B 7/0411
81/3.45
2,712,251 A * 7/1955 Hanson B67B 7/0411
81/3.45
2,729,124 A * 1/1956 Farandatos B67B 7/08
81/3.2
D239,362 S * 3/1976 Peterson D8/42
D243,315 S * 2/1977 Smith D8/77
4,291,597 A * 9/1981 Allen B67B 7/0447
81/3.48
4,377,096 A * 3/1983 Allen B67B 7/0447
81/3.36
5,031,486 A * 7/1991 Rydgren B67B 7/0411
81/3.45

(Continued)

Primary Examiner — T Chase Nelson

Assistant Examiner — Kelly L Gross

(74) *Attorney, Agent, or Firm* — Ferguson Case Orr
Paterson

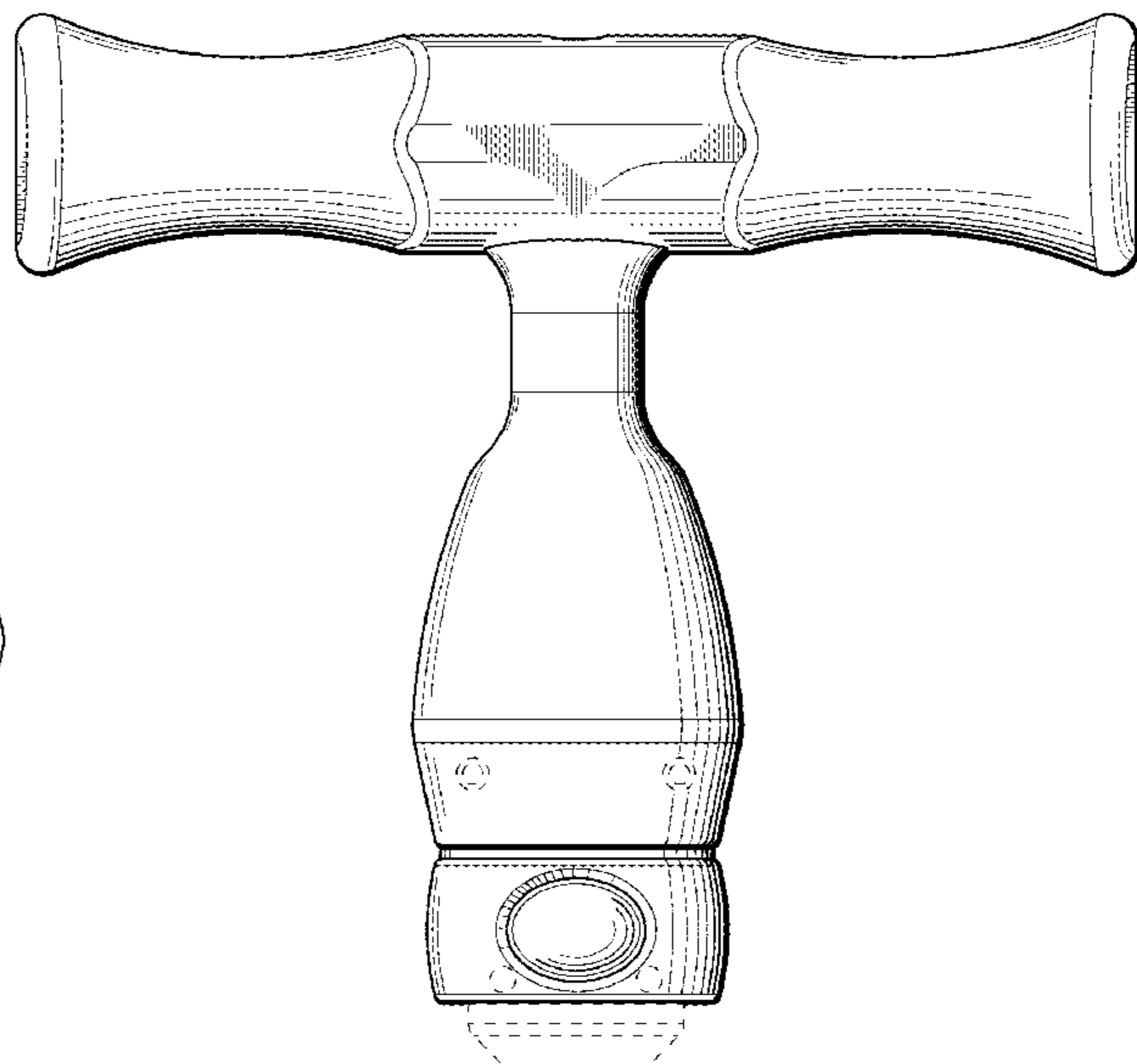
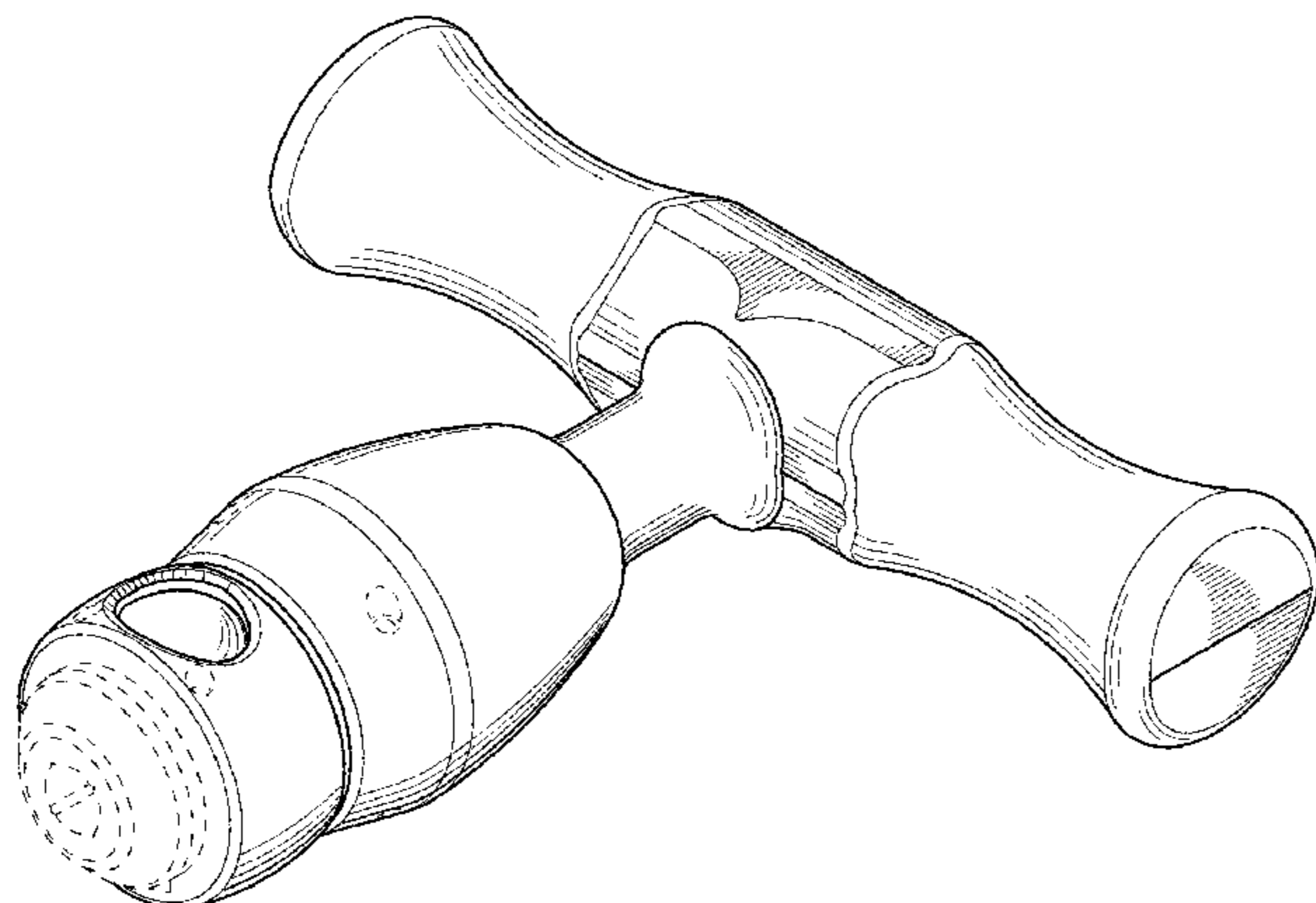
(57) **CLAIM**

The ornamental design for a T-shaped handle for surgical
tools, as shown and described.

DESCRIPTION

FIG. 1 is a top, front, right-side perspective view of a
T-shaped handle for surgical tools showing the new design.
FIG. 2 is a front elevation view thereof.
FIG. 3 is a rear elevation view thereof.
FIG. 4 is a left side elevation view thereof.
FIG. 5 is a right side elevation view thereof.
FIG. 6 is a top plan view thereof; and,
FIG. 7 is a bottom plan view thereof.
The broken lines in the drawings are included to show
portions of the article that form no part of the claimed
design.

1 Claim, 4 Drawing Sheets



(56)

References Cited

U.S. PATENT DOCUMENTS

D335,811	S	*	5/1993	Bengtson	D23/250	
D339,410	S	*	9/1993	Gottwald	D23/241	
D353,001	S	*	11/1994	Petersen	D24/142	
D356,239	S	*	3/1995	Lin	D8/82	
D377,444	S	*	1/1997	Lin	D8/107	
D378,797	S	*	4/1997	Poremba	D8/107	
D385,076	S	*	10/1997	Milbury	294/26	
D385,285	S	*	10/1997	Brown	D15/5	
D391,443	S	*	3/1998	Candianides	D7/393	
D392,535	S	*	3/1998	Vasudeva	D8/107	
D393,787	S	*	4/1998	Savoie	D8/21	
D394,794	S	*	6/1998	Vasudeva	D8/107	
D397,010	S	*	8/1998	Usbeck	7/155	
D399,107	S	*	10/1998	Murray	D8/31	
D400,769	S	*	11/1998	Duke	D8/21	
D409,463	S	*	5/1999	McMullin	D8/21	
D412,547	S	*	8/1999	Fong	D21/793	
D419,409	S	*	1/2000	Stover, Jr.	D8/45	
D420,885	S	*	2/2000	Lin	D8/107	
D426,131	S	*	6/2000	Martinez	D8/14	
D439,980	S	*	4/2001	Reiley	D24/147	
D448,633	S	*	10/2001	Langlois	D8/107	
D450,839	S	*	11/2001	Junker	D24/130	
D451,353	S	*	12/2001	Challinor	D8/14	
D454,045	S	*	3/2002	Rinner	D8/107	
D469,331	S	*	1/2003	Hansen	D8/306	
D475,262	S	*	6/2003	Hsieh	D8/42	
D482,586	S	*	11/2003	Puerta	D8/82	
D486,723	S	*	2/2004	Chang	D8/21	
D489,456	S	*	5/2004	Groenke	D24/133	
D515,802	S	*	2/2006	Grierson	D3/7	
D515,859	S	*	2/2006	Gilbert	D6/550	
D517,634	S	*	3/2006	Nunez	D21/789	
D530,588	S	*	10/2006	Wang	D8/107	
D539,112	S	*	3/2007	Sjosing	D8/300	
D542,622	S	*	5/2007	Ricereto	D8/307	
D543,088	S	*	5/2007	Ricereto	D8/310	
D543,435	S	*	5/2007	Roberts, III	D8/308	
D544,201	S	*	6/2007	Berl	D3/12	
D545,933	S	*	7/2007	Dow	D21/789	
D546,149	S	*	7/2007	Chen	D8/27	
D547,624	S	*	7/2007	Strahorn	D8/21	
D547,625	S	*	7/2007	Decuir	D8/27	
D552,949	S	*	10/2007	Strahorn	D8/21	
D554,455	S	*	11/2007	Ranieri	D8/107	
D555,445	S	*	11/2007	Strahorn	D8/21	
D557,584	S	*	12/2007	Gao	D8/107	
D564,323	S	*	3/2008	Zubiaurre Alberdi	D8/77	
D565,380	S	*	4/2008	Rinner	D8/107	
D565,914	S	*	4/2008	Teng	D8/61	
7,373,860	B1	*	5/2008	Rinner	B25G 1/105 16/430	
D573,256	S	*	7/2008	Mauch	D24/130	
D581,433	S	*	11/2008	Kobayashi	D15/6	
D581,729	S	*	12/2008	Rico	D7/395	
D586,634	S	*	2/2009	Lai	D8/21	
D591,860	S	*	5/2009	Aparici	D24/133	
D596,471	S	*	7/2009	Huang	D8/21	
D598,096	S	*	8/2009	Petersen	D24/133	
D600,093	S	*	9/2009	Lin	D8/107	
D601,398	S	*	10/2009	Youngren	D8/78	
D603,677	S	*	11/2009	Hi	D8/83	
D608,191	S	*	1/2010	Radle	D8/396	
D613,139	S	*	4/2010	Lai	D8/21	
D613,144	S	*	4/2010	Lin	D8/83	
D618,977	S	*	7/2010	Ruhland	D8/77	
D622,561	S	*	8/2010	Brown, III	D8/14	
D624,182	S	*	9/2010	Thouement	D24/143	
D625,973	S	*	10/2010	Hunton	D8/40	
D632,157	S	*	2/2011	Le	D8/306	
D632,856	S	*	2/2011	Quinlan	D32/41	
D632,858	S	*	2/2011	Sgroi	D32/41	
D633,959	S	*	3/2011	Mastin	D21/568	
D634,595	S	*	3/2011	Tyson	D8/14	
D634,844	S	*	3/2011	Bast	D24/145	
D637,065	S	*	5/2011	Krietzman	D8/356	
D637,066	S	*	5/2011	Krietzman	D8/356	
D639,941	S	*	6/2011	Porat	D24/133	
D644,486	S	*	9/2011	Groll	D7/395	
D646,384	S	*	10/2011	Gauthier	D24/133	
D646,386	S	*	10/2011	Miller	D24/133	
D646,387	S	*	10/2011	Bast	D24/133	
D646,523	S	*	10/2011	Johnson	D7/398	
D646,783	S	*	10/2011	Bast	D24/133	
D646,948	S	*	10/2011	Robinson	D8/83	
D647,201	S	*	10/2011	Gauthier	D24/133	
D647,202	S	*	10/2011	Scifert	D24/146	
D647,671	S	*	10/2011	Stein	D32/14	
8,033,200	B2	*	10/2011	Johnson	B25B 23/16 81/60	
D648,433	S	*	11/2011	Bast	D24/133	
D649,423	S	*	11/2011	Robinson	D8/83	
D649,632	S	*	11/2011	Morgan	D24/127	
D649,635	S	*	11/2011	Cronin	D24/133	
D653,926	S	*	2/2012	Barnhart	D8/81	
D654,589	S	*	2/2012	Bast	D24/133	
D655,589	S	*	3/2012	Owens	D8/51	
D658,437	S	*	5/2012	Johnson	D7/398	
D661,561	S	*	6/2012	Stinson	D8/29	
D662,386	S	*	6/2012	Abell	D8/107	
D663,025	S	*	7/2012	Bast	D24/133	
D667,710	S	*	9/2012	Fossum	D8/21	
D668,761	S	*	10/2012	Schad	D24/133	
D668,921	S	*	10/2012	Fossum	D8/21	
D669,168	S	*	10/2012	Krueger	D24/112	
D673,831	S	*	1/2013	Molina	D8/83	
D673,832	S	*	1/2013	Molina	D8/83	
D675,078	S	*	1/2013	Matijevic	D8/307	
D679,165	S	*	4/2013	Plehn-Citrone	D8/83	
D679,393	S	*	4/2013	Griffith	D24/129	
D679,824	S	*	4/2013	Forest	D24/214	
D681,822	S	*	5/2013	Shinohara	D24/186	
D682,057	S	*	5/2013	Romo	D8/31	
D683,662	S	*	6/2013	Vloemans	D12/114	
D686,051	S	*	7/2013	Darbinyan	B25B 13/28 D8/25	
D687,690	S	*	8/2013	Chen	D8/26	
D692,133	S	*	10/2013	Steinwachs	D24/146	
D693,190	S	*	11/2013	Spector	D7/682	
D696,922	S	*	1/2014	Cubillo	D8/303	
D706,121	S	*	6/2014	Norton	D8/380	
D707,356	S	*	6/2014	Vonck	D24/133	
D711,708	S	*	8/2014	Larson	D8/21	
D714,600	S	*	10/2014	Bond	D8/14	
D717,141	S	*	11/2014	Kittelburger	D8/14	
D719,005	S	*	12/2014	Goddard	D8/105	
D721,932	S	*	2/2015	Azevedo	D8/14	
D721,933	S	*	2/2015	Azevedo	D8/14	
D724,410	S	*	3/2015	Han	D8/307	
D728,993	S	*	5/2015	Barberi	D7/393	
D731,284	S	*	6/2015	Goddard	D8/105	
D734,114	S	*	7/2015	Robinson	D8/83	
D734,115	S	*	7/2015	Robinson	D8/83	
9,132,536	B2	*	9/2015	Nino	C09J 5/00	
D742,188	S	*	11/2015	Sandelin	D8/14	
D742,189	S	*	11/2015	Sandelin	D8/14	
D742,190	S	*	11/2015	Cockrell	D8/14	
D743,222	S	*	11/2015	Smith	D8/14	
D743,759	S	*	11/2015	Blood	D8/14	
D744,310	S	*	12/2015	Davis, Sr.	D8/81	
D744,422	S	*	12/2015	Landry	D13/133	
D747,796	S	*	1/2016	Romao	D24/112	
D747,811	S	*	1/2016	Jacobs	D24/214	
D747,812	S	*	1/2016	Jacobs	D24/214	
D747,944	S	*	1/2016	Stamm	D8/81	
D748,278	S	*	1/2016	Jacobs	D24/214	
D749,386	S	*	2/2016	Talbot	D8/28	
D751,193	S	*	3/2016	Griffith	A61J 15/0065 D24/130	
D751,880	S	*	3/2016	Howell	D8/70	
9,278,436	B2	*	3/2016	Hsieh	B25B 15/04	
9,295,500	B2	*	3/2016	Marigowda	A61B 17/7082	
D754,512	S	*	4/2016	Nelson	D8/83	
D755,602	S	*	5/2016	Marcus	D8/85	

(56)

References Cited

U.S. PATENT DOCUMENTS

D765,481 S * 9/2016 Lin D8/25
 D772,684 S * 11/2016 Zimmer D8/307
 D775,353 S * 12/2016 Anderson D24/171
 D777,541 S * 1/2017 White D8/30
 D777,551 S * 1/2017 Huang D8/83
 D778,443 S * 2/2017 Brannon D24/147
 D779,143 S * 2/2017 Sgroi, Jr. D32/46
 9,572,617 B1 * 2/2017 Prado A61B 17/8888
 9,573,256 B2 * 2/2017 Hsieh B25B 15/04
 D782,270 S * 3/2017 Bast D8/107
 9,597,786 B2 * 3/2017 Romo A61B 17/8875
 9,604,349 B2 * 3/2017 Johnson B25B 13/463
 D784,105 S * 4/2017 Nelson D8/83
 9,630,301 B2 * 4/2017 Ryans B25B 13/463
 D786,433 S * 5/2017 Seaver D24/147
 D786,647 S * 5/2017 Bast D8/107
 D787,296 S * 5/2017 Zimmer D8/307
 D794,184 S * 8/2017 Smith D24/129
 9,724,817 B2 * 8/2017 Hongquan B25G 1/066
 D797,533 S * 9/2017 Hu D8/42
 D797,540 S * 9/2017 Bast D8/107
 D799,302 S * 10/2017 Bast D8/107
 D808,750 S * 1/2018 Gonnerman D8/21
 9,868,195 B2 * 1/2018 Chang B25G 1/005
 D809,892 S * 2/2018 Bullard B25D 1/14
 D818,338 S * 5/2018 Jones D8/77
 D818,352 S * 5/2018 Kundig D8/367
 D819,421 S * 6/2018 Huner D8/76
 9,999,965 B2 * 6/2018 Shyu B25B 13/005
 10,040,185 B2 * 8/2018 Davis B23G 5/20
 D839,066 S * 1/2019 Bast D8/14
 D839,710 S * 2/2019 Bast D8/107
 D840,046 S * 2/2019 Guenst D24/215
 D842,462 S * 3/2019 Guala D24/129
 D842,463 S * 3/2019 Grunhut D24/130

D845,740 S * 4/2019 Bast D8/107
 D847,122 S * 4/2019 Messadek D14/217
 D852,598 S * 7/2019 Tang D8/61
 D854,909 S * 7/2019 Wells D8/315
 D855,423 S * 8/2019 Walters D8/14
 D856,767 S * 8/2019 Cai D8/21
 D859,103 S * 9/2019 Drake D8/14
 D860,749 S * 9/2019 Rubinstein D8/78
 D860,771 S * 9/2019 Feng D8/387
 D869,257 S * 12/2019 Williams D8/81
 D872,858 S * 1/2020 Lv D24/127
 D877,581 S * 3/2020 Skillings D8/25
 D877,585 S * 3/2020 Jensen D8/44
 D877,591 S * 3/2020 Pacheco, III D8/88
 D880,972 S * 4/2020 Bast B25G 1/005
 D880,973 S * 4/2020 Bast D8/107
 D880,974 S * 4/2020 Bast B25B 13/005
 D881,494 S * 4/2020 Harrington D32/52
 D882,817 S * 4/2020 Norton D24/224
 D883,054 S * 5/2020 Uranga Elorza D8/21
 D883,480 S * 5/2020 Leibowitz D24/133
 D884,889 S * 5/2020 Cahill D24/133
 D886,556 S * 6/2020 Sowieja D8/14
 D887,561 S * 6/2020 Cheng D24/187
 D888,947 S * 6/2020 Reddick D24/140
 D891,218 S * 7/2020 Su D8/107
 D894,701 S * 9/2020 Repic D8/44
 D895,385 S * 9/2020 Chen D8/29
 D899,889 S * 10/2020 Eads B65D 51/243
 D904,606 S * 12/2020 Gloess D24/133
 D905,518 S * 12/2020 Arsenault D8/14
 D906,518 S * 12/2020 Krammer D24/129
 2001/0039855 A1 * 11/2001 Usbeck B67B 7/0447
 81/3.36

* cited by examiner

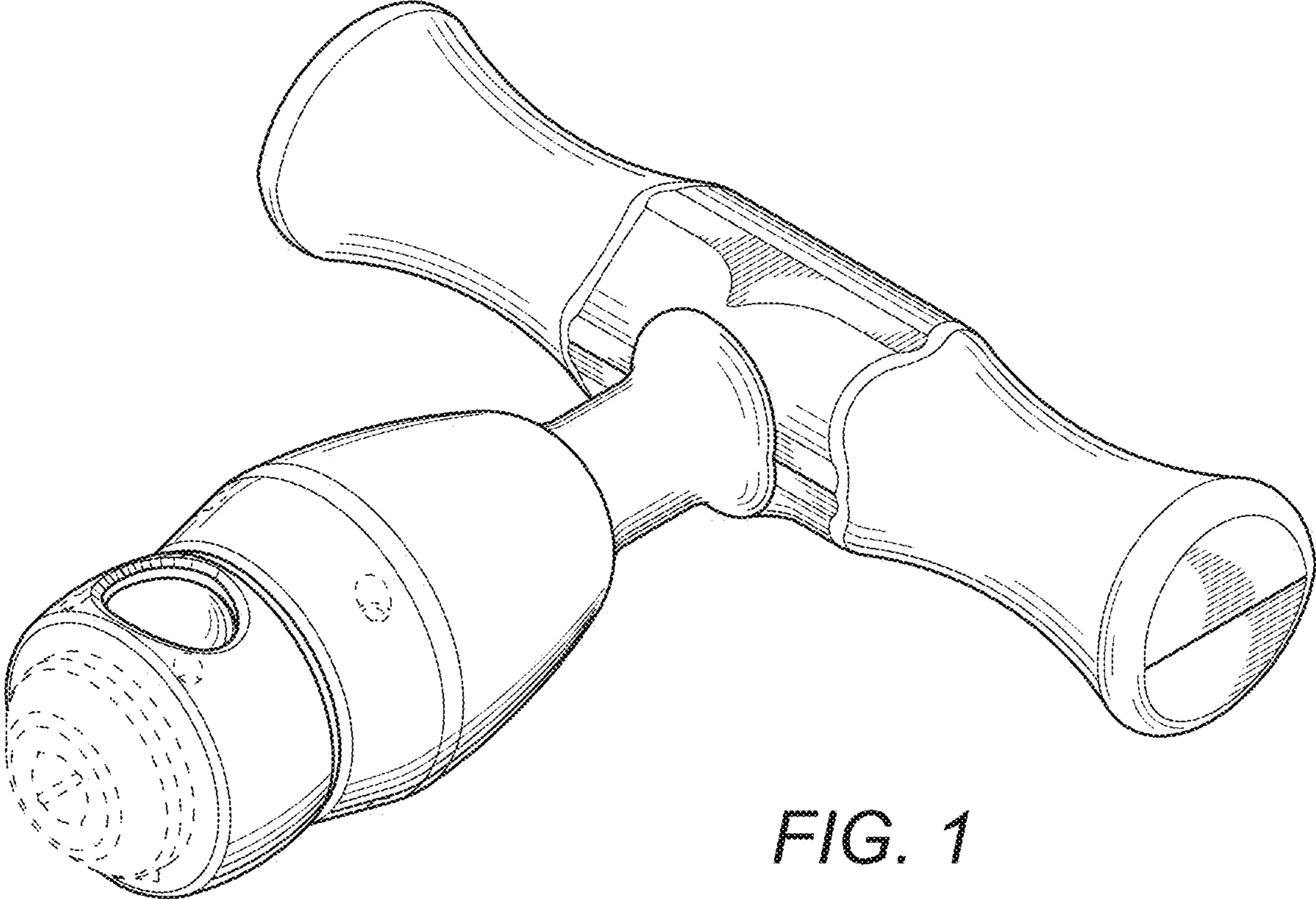


FIG. 1

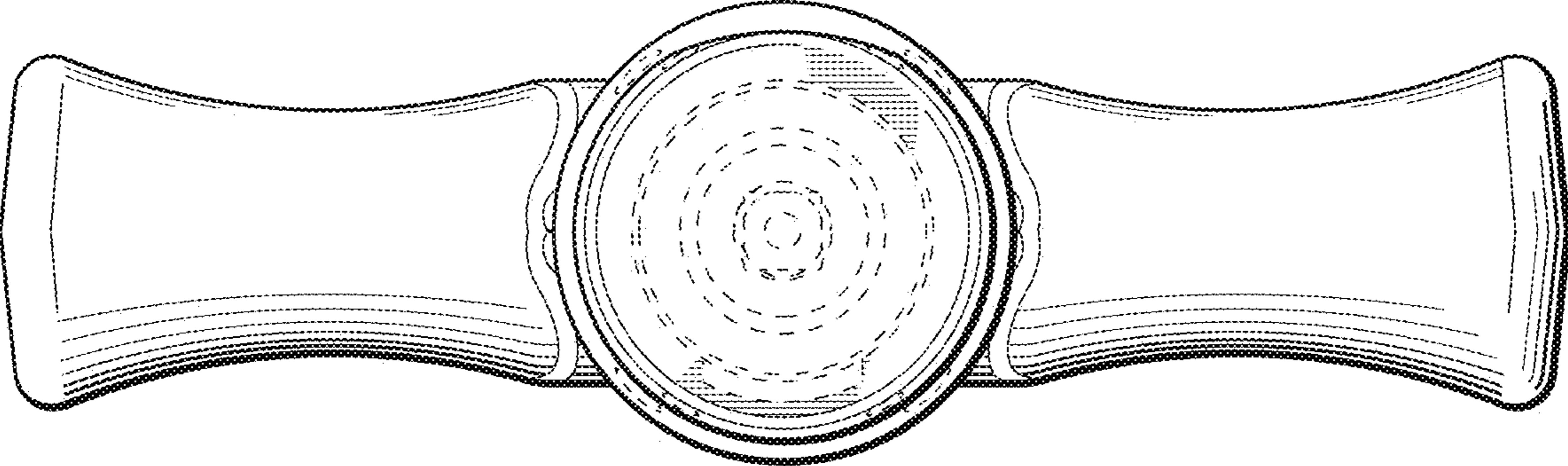


FIG. 2

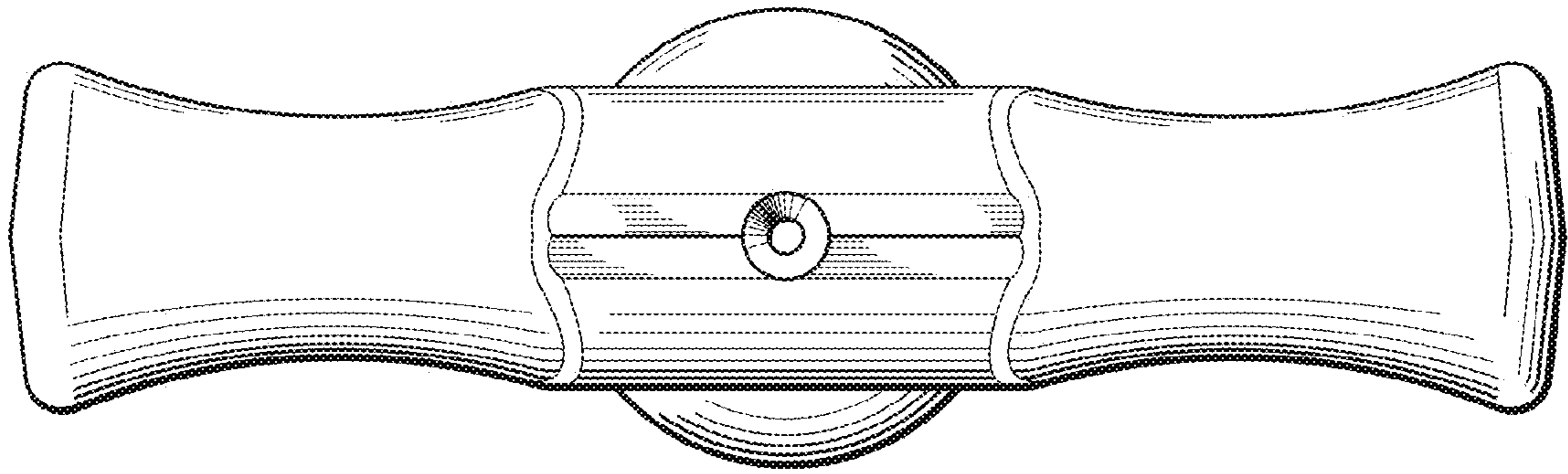


FIG. 3

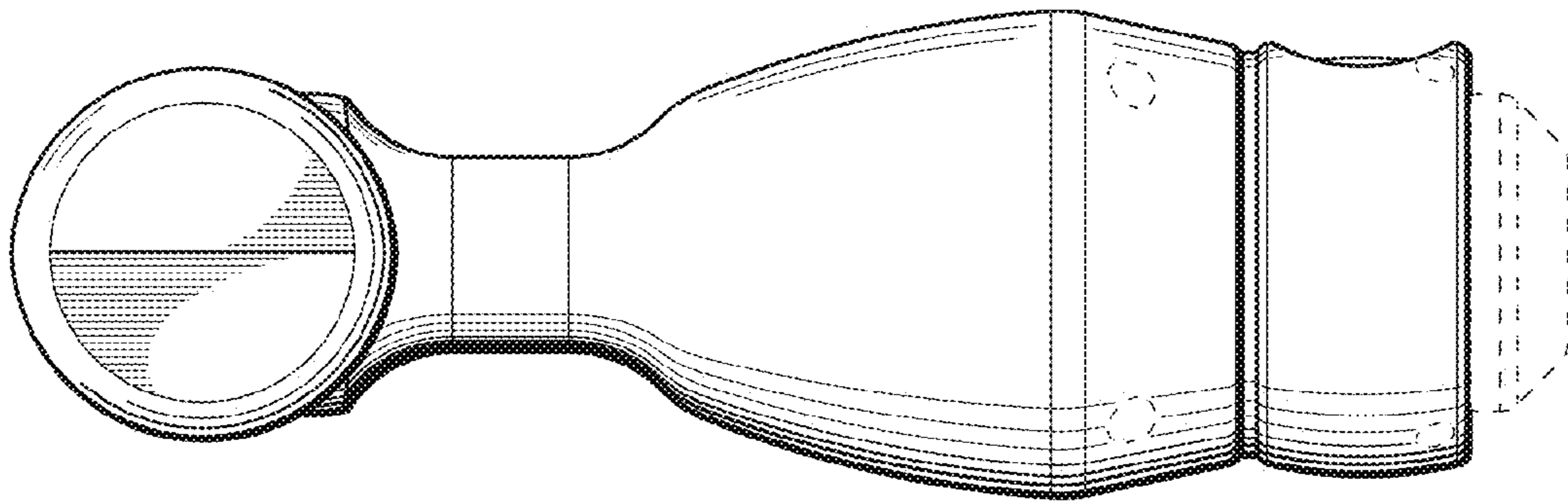


FIG. 4

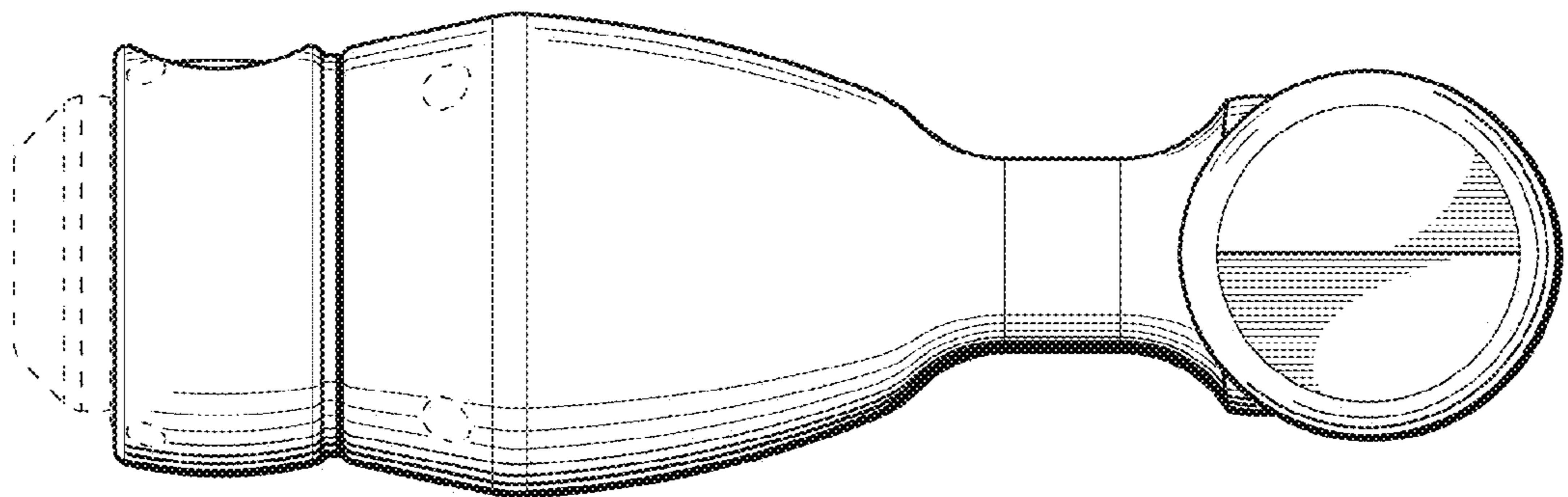


FIG. 5

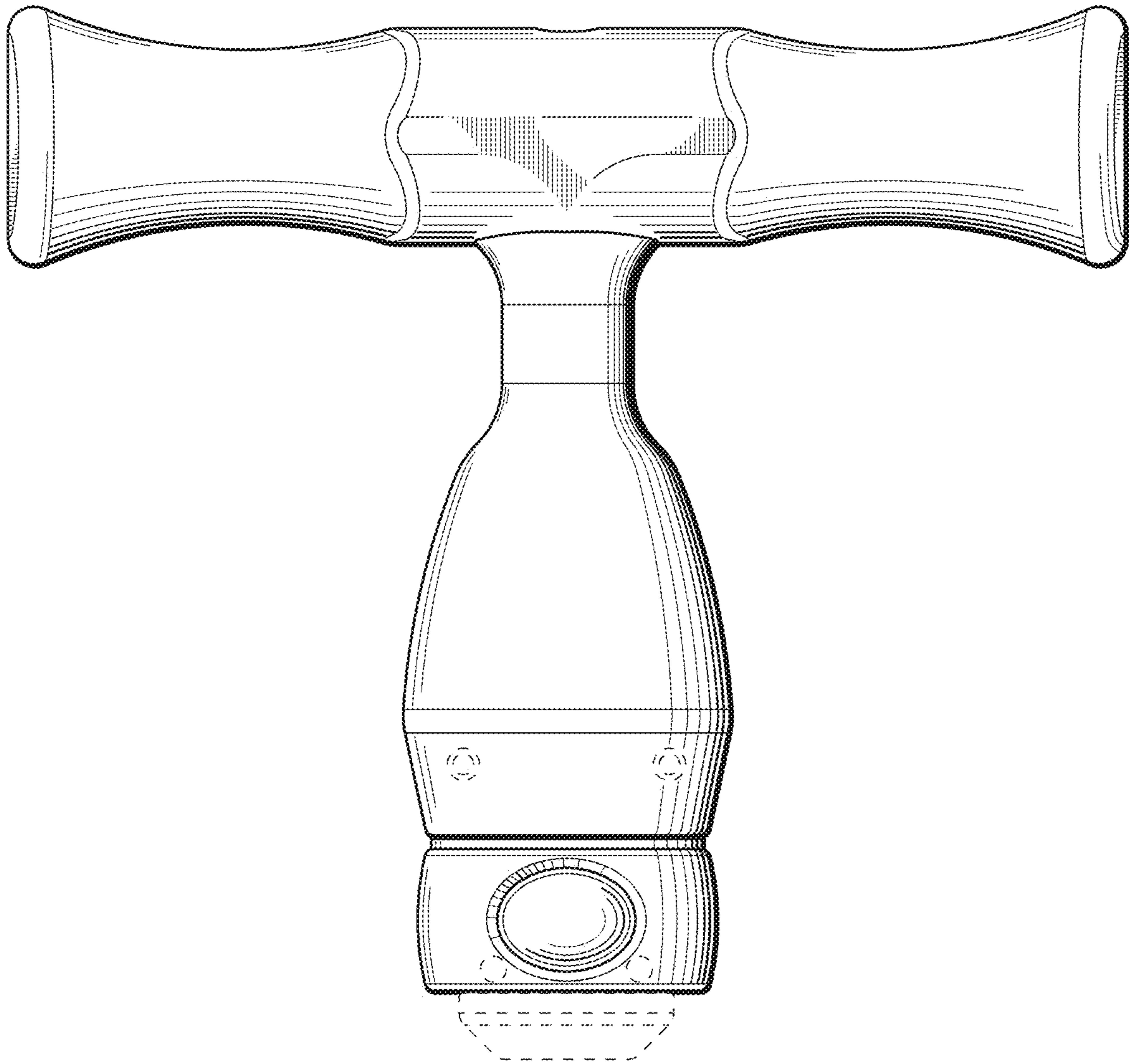


FIG. 6

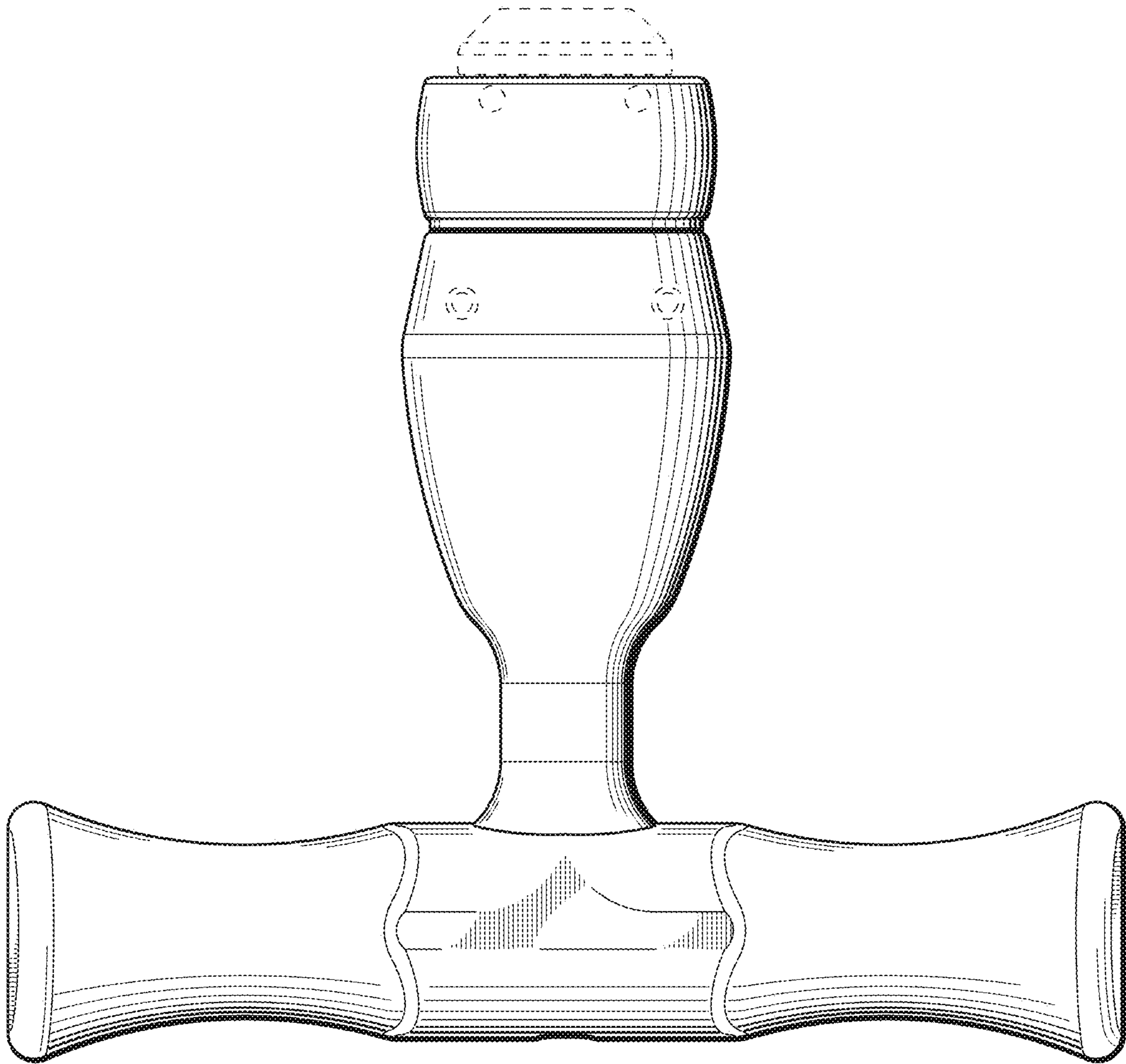


FIG. 7