

US00D921891S

(12) **United States Design Patent**
Milella, Jr. et al.

(10) **Patent No.:** **US D921,891 S**
(45) **Date of Patent:** **** Jun. 8, 2021**

(54) **AXIAL HANDLE FOR SURGICAL TOOLS**

2,884,972 A * 5/1959 Harris B25B 15/04
81/29

(71) Applicant: **ECA Medical Instruments, Inc.**,
Newbury Park, CA (US)

3,343,577 A * 9/1967 Wagner B25B 15/04
81/177.1

(72) Inventors: **Michael J Milella, Jr.**, Thousand Oaks,
CA (US); **Sarah Elizabeth Schaake**,
Centennial, CO (US); **Lane Aaron
Hale**, Thousand Oaks, CA (US)

D229,475 S * 12/1973 Uboldi D8/82

D305,723 S * 1/1990 Wilson D8/82

D312,033 S * 11/1990 Carlson D8/82

D314,497 S * 2/1991 Symiczek D8/14

D360,344 S * 7/1995 Eggert D8/83

D363,868 S * 11/1995 Israel D8/83

D375,669 S * 11/1996 Shiao D8/107

D376,204 S * 12/1996 Huculak D24/133

D382,188 S * 8/1997 Lin D8/83

D383,660 S * 9/1997 Anderson D8/107

D384,263 S * 9/1997 Lin D8/107

D384,565 S * 10/1997 Lin D8/107

D386,063 S * 11/1997 Badiali D8/107

D393,318 S * 4/1998 Wolter D24/133

D398,507 S * 9/1998 Thompson D8/107

(Continued)

(**) Term: **15 Years**

(21) Appl. No.: **29/713,232**

(22) Filed: **Nov. 14, 2019**

(51) **LOC (13) Cl.** **24-02**

(52) **U.S. Cl.**
USPC **D24/133**

(58) **Field of Classification Search**
USPC D24/108, 112, 113, 114, 115, 116, 117,
D24/127, 133, 134, 136, 137, 138, 143,
D24/145, 200, 144, 147; D8/14, 16, 19,
D8/21, 82, 83, 84, 85, 86, 107, 34, 300,
D8/303, 314, 372, 374, 394, 77, 17, 22,
D8/23, 24, 25, 26, 27, 28, 29, 52, 55, 81,
D8/87, 102, 103, 104, 105, 106, 98, 99,
D8/93, 94
CPC A61M 25/0136; A61B 17/00; A61B 17/62;
A61B 17/64; A61B 17/645; A47J 43/26;
B25B 13/463; B25B 13/468; B25B 15/04;
B25G 1/005; B25G 1/085
See application file for complete search history.

Primary Examiner — T Chase Nelson

Assistant Examiner — Kelly L Gross

(74) *Attorney, Agent, or Firm* — Ferguson Case Orr
Paterson

(57) **CLAIM**

The ornamental design for an axial handle for surgical tools,
as shown and described.

DESCRIPTION

FIG. 1 is a top, front, right-side perspective view of an axial
handle for surgical tools showing the new design.

FIG. 2 is a front elevation view thereof.

FIG. 3 is a rear elevation view thereof.

FIG. 4 is a left side elevation view thereof.

FIG. 5 is a right side elevation view thereof.

FIG. 6 is a top plan view thereof; and,

FIG. 7 is a bottom plan view thereof.

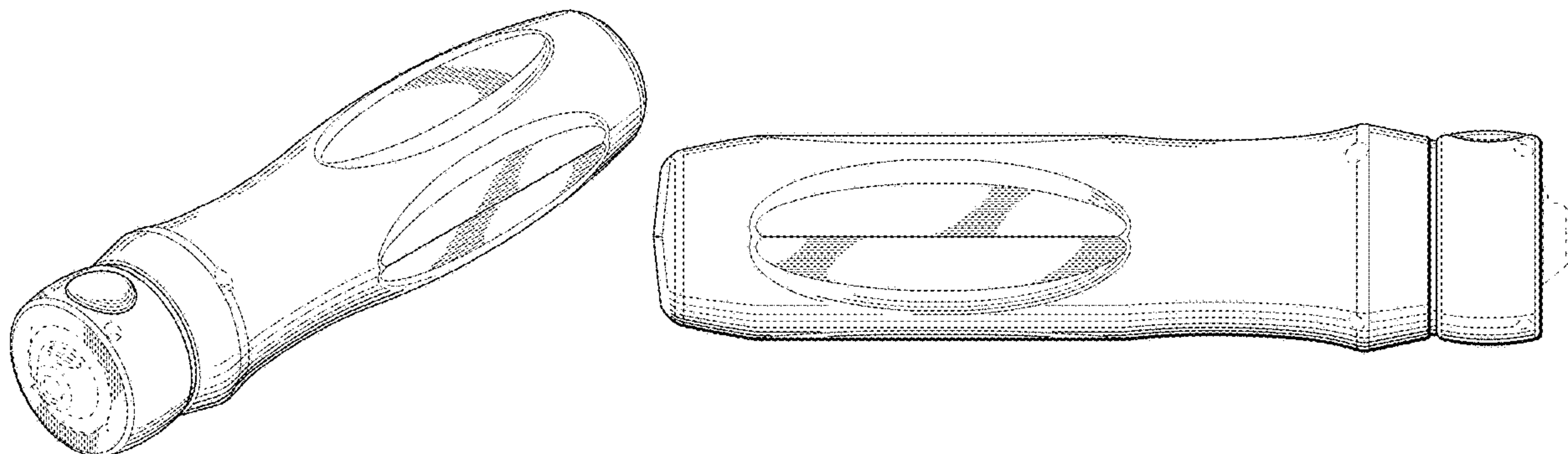
The broken lines in the drawings are included to show
portions of the article that form no part of the claimed
design.

(56) **References Cited**

U.S. PATENT DOCUMENTS

D100,612 S * 8/1936 Bryant D8/83
D133,782 S * 9/1942 Pfeiffer D8/82

1 Claim, 3 Drawing Sheets



(56)

References Cited

U.S. PATENT DOCUMENTS

D398,508	S	*	9/1998	Thompson	D8/107
D398,828	S	*	9/1998	Shiao	D8/107
D399,722	S	*	10/1998	Eidsmoe	D8/107
D401,491	S	*	11/1998	Shiao	D8/83
D408,258	S	*	4/1999	Tsai	D8/107
D412,760	S	*	8/1999	McCalla	D26/38
D414,095	S	*	9/1999	Hoepfl	D8/107
D414,096	S	*	9/1999	Chapin	D8/107
D415,005	S	*	10/1999	Chen	D8/107
D416,464	S	*	11/1999	Eason	D8/300
D416,776	S	*	11/1999	Liu	D8/107
D418,035	S	*	12/1999	Hatch	D8/107
D419,846	S	*	2/2000	Hasan	D8/83
D420,559	S	*	2/2000	Chang	D8/107
D421,886	S	*	3/2000	Jau	D8/107
D422,474	S	*	4/2000	Shiao	D8/107
D422,727	S	*	4/2000	McCalla	D26/38
D424,904	S	*	5/2000	Hasan	D8/83
D434,149	S	*	11/2000	Mirhashemi	D24/133
D435,773	S	*	1/2001	Lin	D8/107
D440,480	S	*	4/2001	Tseng	D8/82
D442,049	S	*	5/2001	Shu	D8/107
D442,050	S	*	5/2001	Hung	D8/107
D442,843	S	*	5/2001	Hsu	D8/107
D444,047	S	*	6/2001	Chen	D8/107
D444,366	S	*	7/2001	Rinner	D8/107
D444,370	S	*	7/2001	Chang	D8/107
D445,658	S	*	7/2001	Dierolf	D8/107
D446,706	S	*	8/2001	Kalomeris	D8/107
D448,641	S	*	10/2001	Sato	D8/82
D449,505	S	*	10/2001	Glass	D8/83
D452,423	S	*	12/2001	Shimansky	D8/107
D452,426	S	*	12/2001	Milan	D8/107
D452,427	S	*	12/2001	Milan	D8/107
D454,046	S	*	3/2002	Hsieh	D8/107
D454,770	S	*	3/2002	Chang	D8/107
D456,686	S	*	5/2002	Holland-Letz	D8/83
D459,186	S	*	6/2002	Chang	D8/83
D462,440	S	*	9/2002	Formanek	D24/133
D463,242	S	*	9/2002	Chen	D8/107
D463,243	S	*	9/2002	Lisle	D8/107
D468,182	S	*	1/2003	Thompson	D8/107
D473,442	S	*	4/2003	Metcalf	D8/107
D473,443	S	*	4/2003	Metcalf	D8/107
D475,268	S	*	6/2003	Lisle	D8/107
D481,612	S	*	11/2003	Tsai	D8/107
D482,588	S	*	11/2003	Lai	D8/107
D482,589	S	*	11/2003	Rampen	D8/107
D482,590	S	*	11/2003	Lisle	D8/107
D486,717	S	*	2/2004	Chen	D8/107
D487,690	S	*	3/2004	Hu	D8/83
D493,527	S	*	7/2004	Szabo	D24/133
D494,038	S	*	8/2004	Shih	D8/107
D494,443	S	*	8/2004	Saunders	D8/107
D507,733	S	*	7/2005	Liu	D8/83
D508,644	S	*	8/2005	Ho	D8/83
D510,248	S	*	10/2005	Liu	D8/83
D510,692	S	*	10/2005	Walker	D8/83
D513,378	S	*	1/2006	Lin	D8/83
D515,388	S	*	2/2006	Howard	D8/82
D515,389	S	*	2/2006	Hsu	D8/83
D517,388	S	*	3/2006	Hsieh	D8/107
D517,889	S	*	3/2006	Hsieh	D8/107
D519,352	S	*	4/2006	Chou	D32/48
D519,819	S	*	5/2006	Jimenez	D8/10
D520,138	S	*	5/2006	Kuhn	D24/152
D520,325	S	*	5/2006	Su	D8/83
D523,234	S	*	6/2006	DeBoer	D8/87
D523,315	S	*	6/2006	Kienzler	D8/107
D523,724	S	*	6/2006	Rinner	D8/107
D525,850	S	*	8/2006	Huang	D8/83
D526,184	S	*	8/2006	Yu	D8/107
D526,554	S	*	8/2006	Chen	D8/107
D526,875	S	*	8/2006	Chen	D8/107
D528,891	S	*	9/2006	Thompson	D4/119
D530,567	S	*	10/2006	Timm	D7/395
D531,004	S	*	10/2006	Wang	D8/107
D531,005	S	*	10/2006	Chang	D8/107
D531,006	S	*	10/2006	Tsai	D8/107
D531,310	S	*	10/2006	Wolter	D24/133
D531,472	S	*	11/2006	Schiller	D8/61
D531,480	S	*	11/2006	Tsai	D8/107
D532,276	S	*	11/2006	Lin	D8/107
D532,277	S	*	11/2006	Shih	D8/107
D532,278	S	*	11/2006	Shih	D8/107
D533,276	S	*	12/2006	Nakanishi	D24/152
D533,428	S	*	12/2006	Tsai	D8/107
D535,170	S	*	1/2007	Caplan	D8/82
D539,621	S	*	4/2007	Jimenez	D8/10
D542,620	S	*	5/2007	Thompson	D8/107
D544,674	S	*	6/2007	Hsieh	D34/35
D552,956	S	*	10/2007	Wen	D8/107
D553,464	S	*	10/2007	Rinner	D8/83
D554,967	S	*	11/2007	Lin	D8/107
7,293,482	BI	*	11/2007	Wolf	B25B 13/5091 81/124.2
D563,752	S	*	3/2008	Fach	D8/107
D565,379	S	*	4/2008	Williams	D8/83
D567,621	S	*	4/2008	Singh	D8/83
D569,210	S	*	5/2008	Chien	D8/83
D569,517	S	*	5/2008	Wilkinson	D24/146
D569,975	S	*	5/2008	Wilkinson	D24/146
D570,644	S	*	6/2008	Smith	D7/395
D572,105	S	*	7/2008	Brockman	D8/83
D574,208	S	*	8/2008	Lin	D8/107
D575,132	S	*	8/2008	Panier	D8/107
D576,467	S	*	9/2008	Shu	D8/107
D580,054	S	*	11/2008	Thomssen	D24/152
D585,987	S	*	2/2009	Aparici	D24/133
D587,803	S	*	3/2009	Di Sessa	D24/133
D596,473	S	*	7/2009	McKenzie	D8/85
D603,683	S	*	11/2009	Hu	D8/107
D607,300	S	*	1/2010	Lin	D8/107
D607,708	S	*	1/2010	Himbert	D8/107
D610,891	S	*	3/2010	Whitfield	D8/83
D617,169	S	*	6/2010	Robinson	D8/107
D617,170	S	*	6/2010	Lai	D8/107
D622,124	S	*	8/2010	Kegg	D8/83
D622,766	S	*	8/2010	DaBoll	D19/179
D624,321	S	*	9/2010	Rennette	D4/121
D627,461	S	*	11/2010	Cantu	D24/140
D629,666	S	*	12/2010	Lai	D8/83
D633,357	S	*	3/2011	Garcia	D8/83
D633,358	S	*	3/2011	Deguglimo	D8/83
D634,172	S	*	3/2011	Robinson	D8/83
RE42,278	E	*	4/2011	Kienzler	D8/82
D635,430	S	*	4/2011	Robinson	D8/83
D636,654	S	*	4/2011	Robinson	D8/83
D636,655	S	*	4/2011	Quinlan	D8/330
D640,114	S	*	6/2011	Molina	D8/83
D642,887	S	*	8/2011	Good	D8/83
D644,902	S	*	9/2011	Yang	D8/83
D644,910	S	*	9/2011	Hsu	D8/107
D645,717	S	*	9/2011	Ou	D8/83
D646,545	S	*	10/2011	Molina	D8/83
D647,613	S	*	10/2011	Paget	D24/133
8,032,991	B2	*	10/2011	Lawless	B25G 1/105 16/430
D648,851	S	*	11/2011	Copeland	D24/133
8,051,538	B2	*	11/2011	Hsieh	B25G 1/105 16/436
D652,137	S	*	1/2012	Nino	D24/133
D652,138	S	*	1/2012	Nino	D24/133
D653,515	S	*	2/2012	De Salvo	D8/83
D655,002	S	*	2/2012	Bast	D24/133
D655,412	S	*	3/2012	Luk	D24/130
D655,413	S	*	3/2012	Nino	D24/133
D655,815	S	*	3/2012	Miller	D24/133
D657,224	S	*	4/2012	Molina	D8/83
D660,421	S	*	5/2012	Miller	D24/133
D660,965	S	*	5/2012	Waclawik	D24/152
D668,338	S	*	10/2012	Bast	D24/145
D671,813	S	*	12/2012	Lin	D8/83
D675,318	S	*	1/2013	Luk	D24/130

(56)

References Cited

U.S. PATENT DOCUMENTS

D677,381 S * 3/2013 Stones D24/113
 D684,836 S * 6/2013 Wong D8/82
 D685,621 S * 7/2013 Lin D8/83
 D686,479 S * 7/2013 Robinson D8/83
 D686,480 S * 7/2013 Robinson D8/83
 D686,899 S * 7/2013 Lin D8/83
 D691,014 S * 10/2013 Hyma D8/83
 D691,015 S * 10/2013 Hyma D8/83
 D691,016 S * 10/2013 Hyma D8/83
 D692,134 S * 10/2013 Lee-Sepsick D24/146
 D695,089 S * 12/2013 Nelson D8/83
 D695,398 S * 12/2013 Solomon D24/129
 D707,527 S * 6/2014 Hsieh B25G 1/005
 D714,117 S * 9/2014 Smidt D8/29
 D714,604 S * 10/2014 Robinson D8/25
 D715,125 S * 10/2014 Hung D8/107
 D717,142 S * 11/2014 Jannitto, Jr. D8/21
 D717,143 S * 11/2014 Jannitto D8/21
 D720,590 S * 1/2015 Carl D8/85
 D720,591 S * 1/2015 Carl D8/85
 D720,594 S * 1/2015 Henderson D8/107
 D725,454 S * 3/2015 Lin D8/107
 D727,129 S * 4/2015 Robinson D8/83
 D727,130 S * 4/2015 Robinson D8/83
 D727,131 S * 4/2015 Henderson D8/107
 9,108,304 B2 * 8/2015 Lai B25B 13/468
 D739,018 S * 9/2015 Murias D24/147
 D741,992 S * 10/2015 Roeper A61F 2/966
 D742,005 S * 10/2015 Komuda D24/146
 D743,221 S * 11/2015 Wisman D8/14
 D743,233 S * 11/2015 Cluthe D8/85
 D750,236 S * 2/2016 Maurice D24/129
 D769,689 S * 10/2016 Squiers D8/83
 9,457,457 B2 * 10/2016 Chiang B25B 13/465
 D771,247 S * 11/2016 Shinohara D24/130
 9,511,484 B2 * 12/2016 Marchant B25B 15/04
 D776,815 S * 1/2017 Carron D24/152
 D777,317 S * 1/2017 Soual B25B 15/02
 D782,037 S * 3/2017 Osypka D24/130
 D782,268 S * 3/2017 Bast D8/107
 D782,269 S * 3/2017 Bast D8/107
 D782,667 S * 3/2017 Fuhr D24/137
 D782,668 S * 3/2017 Fuhr D24/137
 D782,669 S * 3/2017 Fuhr D24/137

D783,819 S * 4/2017 Thome D24/152
 D791,310 S * 7/2017 Maurice D24/129
 D791,941 S * 7/2017 Burachynsky D24/133
 D791,978 S * 7/2017 Markus D25/133
 9,698,580 B2 * 7/2017 Chen B25B 15/02
 D793,837 S * 8/2017 Su D8/107
 D797,539 S * 9/2017 Lipscomb D8/99
 D800,528 S * 10/2017 Leibowitz D8/83
 D800,529 S * 10/2017 Leibowitz B25B 13/5091
 D808,83
 9,796,070 B2 * 10/2017 Sun B25G 1/063
 D802,777 S * 11/2017 Burachynsky D24/187
 D807,138 S * 1/2018 Rinner D8/83
 D809,365 S * 2/2018 Su D8/107
 D810,538 S * 2/2018 Ou D8/83
 D819,417 S * 6/2018 Graykowski D8/47
 D820,441 S * 6/2018 Ketelhohn A61M 1/0058
 D824,127
 D829,524 S * 10/2018 Su D8/83
 D830,151 S * 10/2018 Weinberg D8/107
 D839,073 S * 1/2019 Bast D8/107
 10,183,383 B2 * 1/2019 Lai B25B 23/0007
 D840,031 S * 2/2019 Teufel D24/140
 D840,207 S * 2/2019 Sun D8/107
 D845,102 S * 4/2019 Hofer D8/85
 D854,153 S * 7/2019 Hsieh D24/146
 D855,433 S * 8/2019 Hyma D8/83
 D859,139 S * 9/2019 Hill D8/394
 D859,652 S * 9/2019 Teufel D24/133
 D860,750 S * 9/2019 Beh D8/83
 D865,477 S * 11/2019 Lipscomb D8/82
 D865,965 S * 11/2019 Siciliano D24/146
 D866,283 S * 11/2019 Hahn D8/83
 D867,092 S * 11/2019 Hahn D8/83
 D867,845 S * 11/2019 Hsu D8/83
 D886,555 S * 6/2020 Scott D8/14
 D890,592 S * 7/2020 Barajas D8/107
 D891,899 S * 8/2020 Barajas D8/107
 D892,215 S * 8/2020 Laemle D19/182
 D897,181 S * 9/2020 Johnson D8/83
 D900,584 S * 11/2020 Bast B25B 15/04
 D8/107
 D900,585 S * 11/2020 Bast B25G 1/085
 D8/107
 D901,685 S * 11/2020 Wang D24/144
 D904,698 S * 12/2020 Moeller D30/158
 D904,851 S * 12/2020 Levand D8/107
 D904,852 S * 12/2020 Levand D8/107
 D906,782 S * 1/2021 Brinson D8/83

* cited by examiner

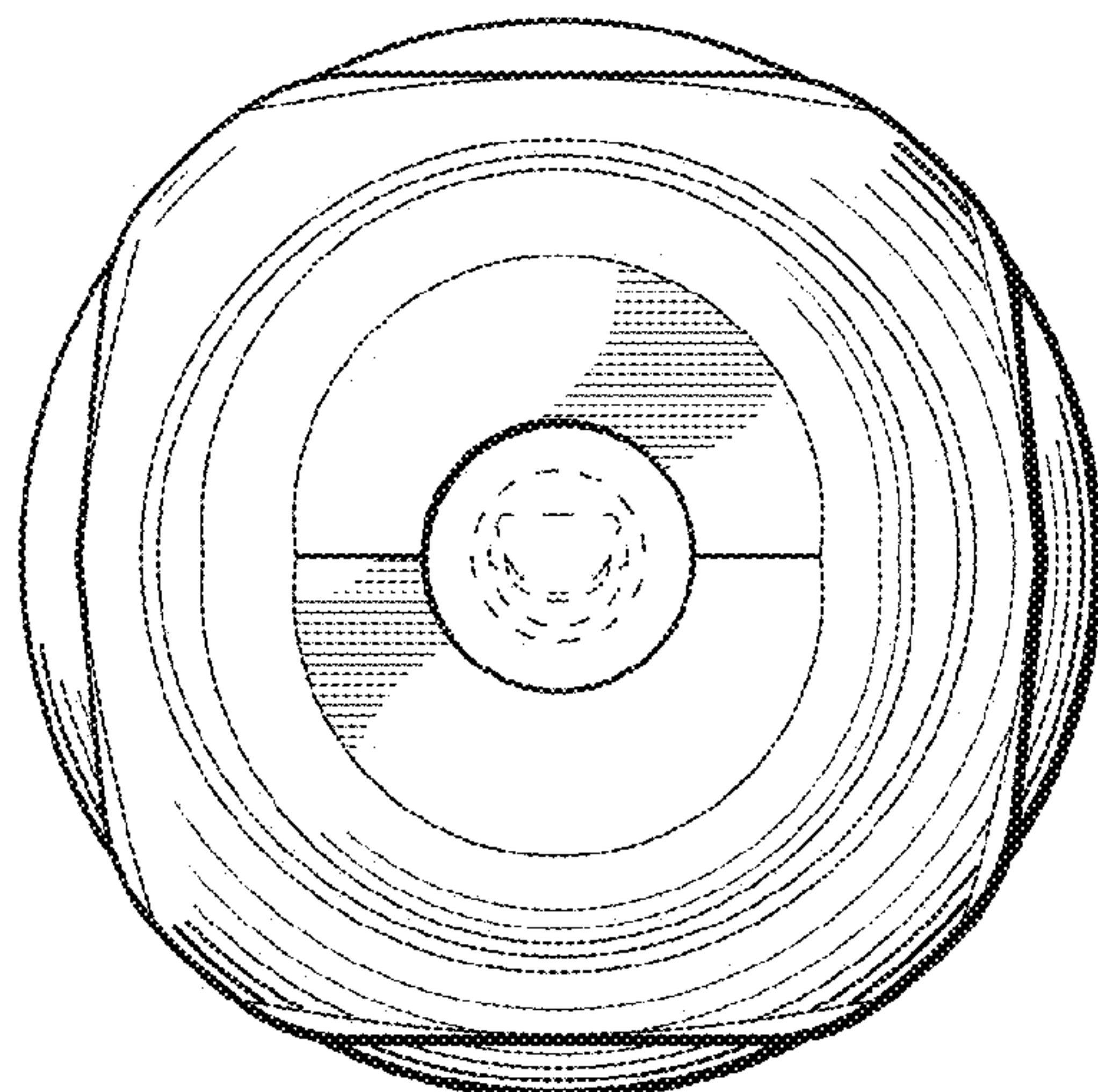
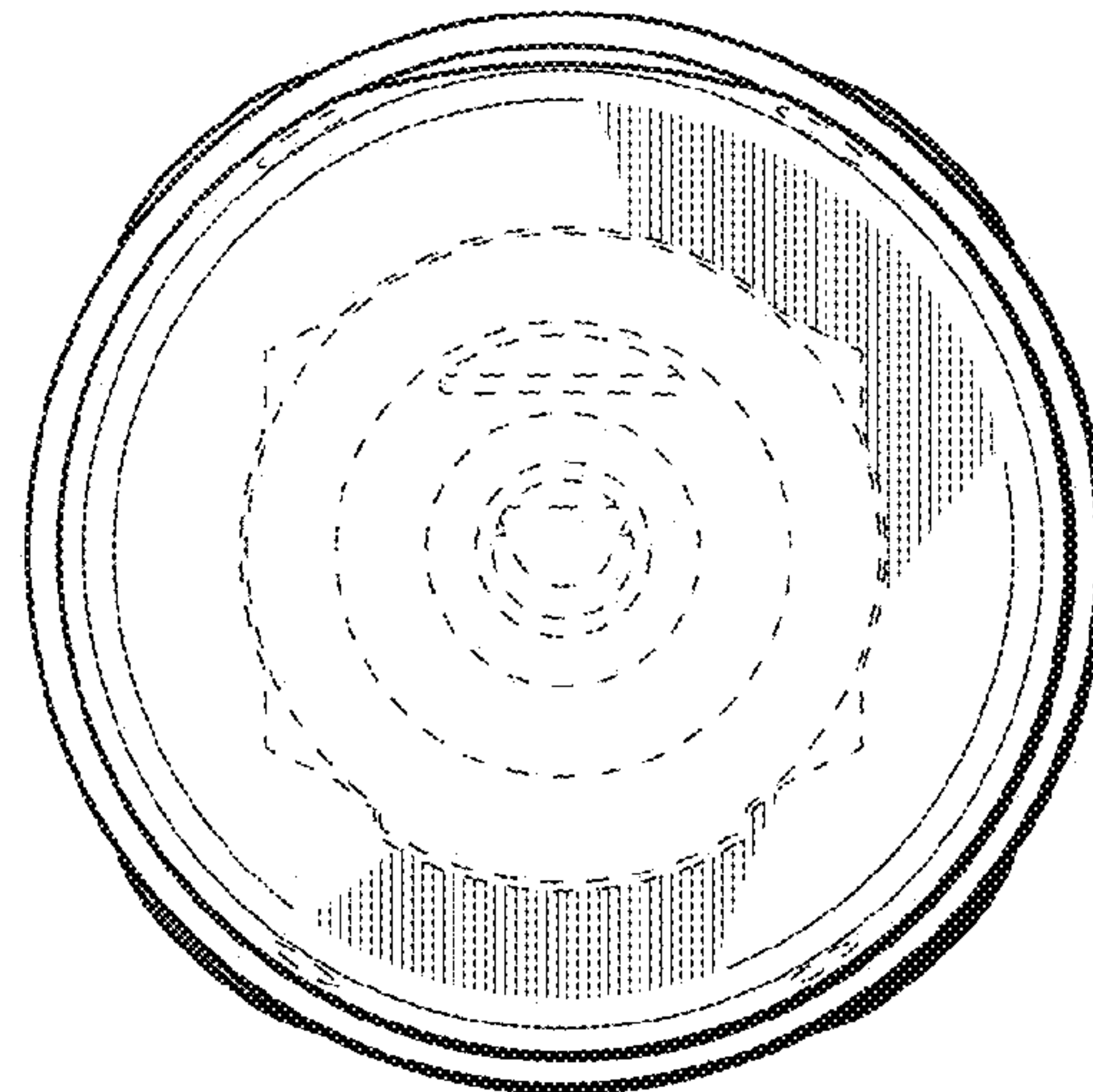
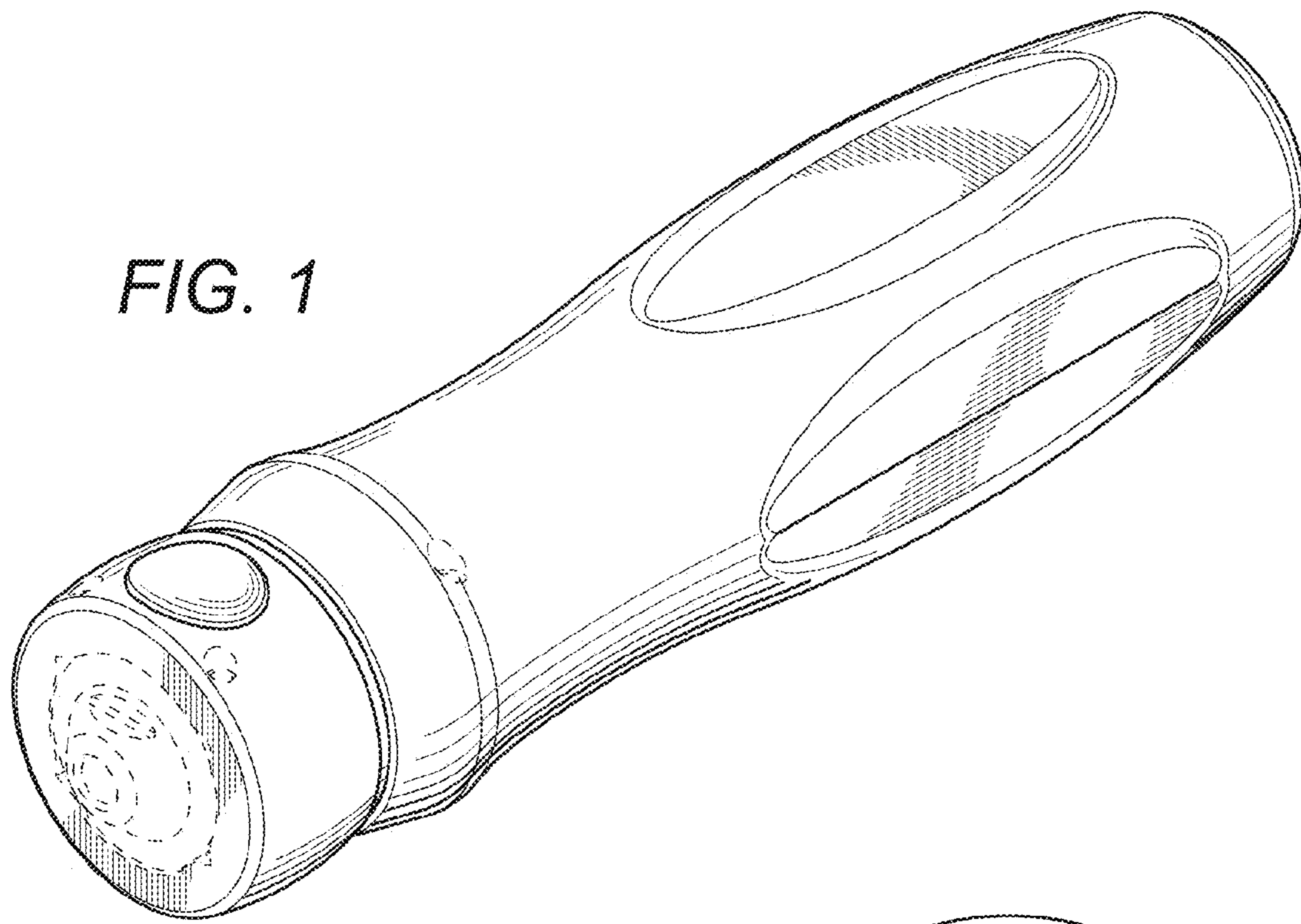


FIG. 3

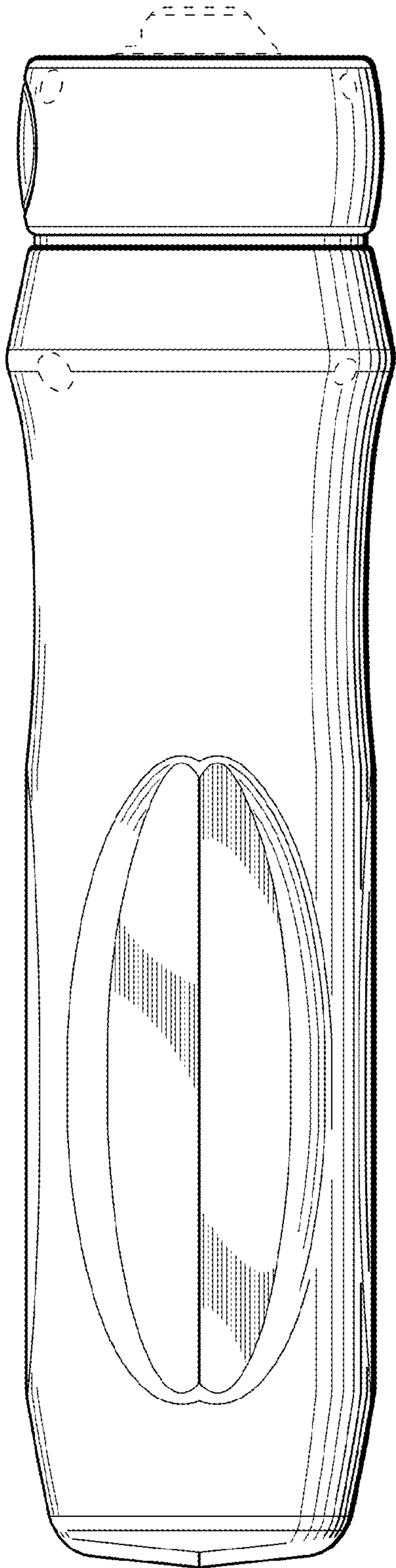


FIG. 4

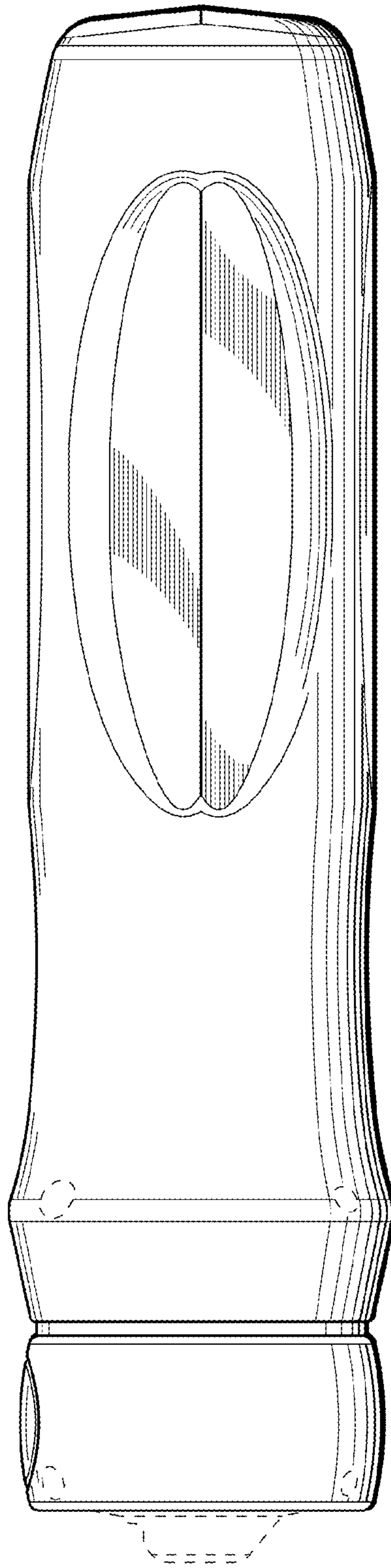


FIG. 5

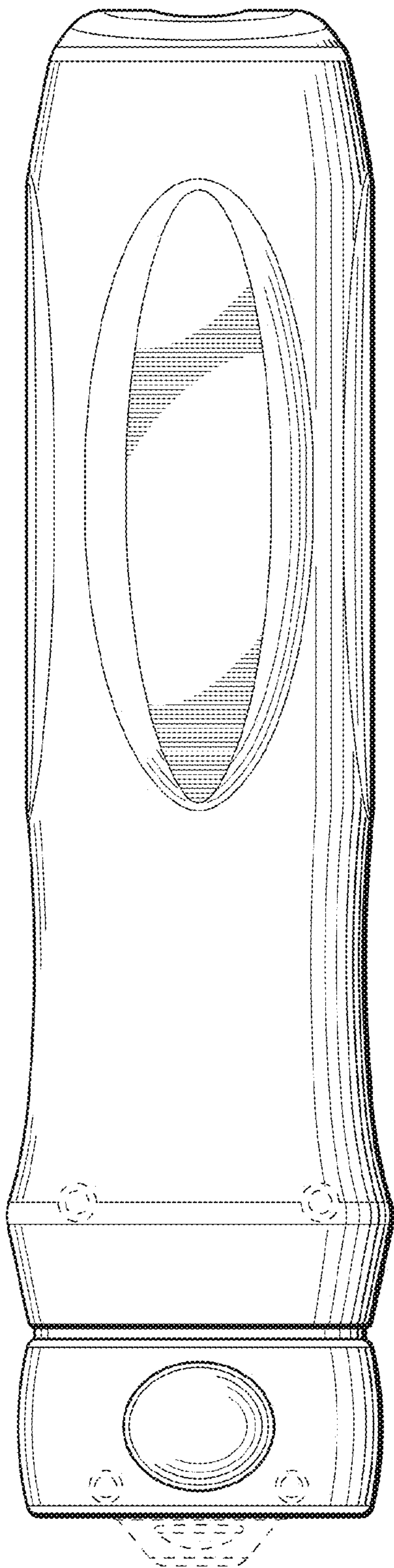


FIG. 6

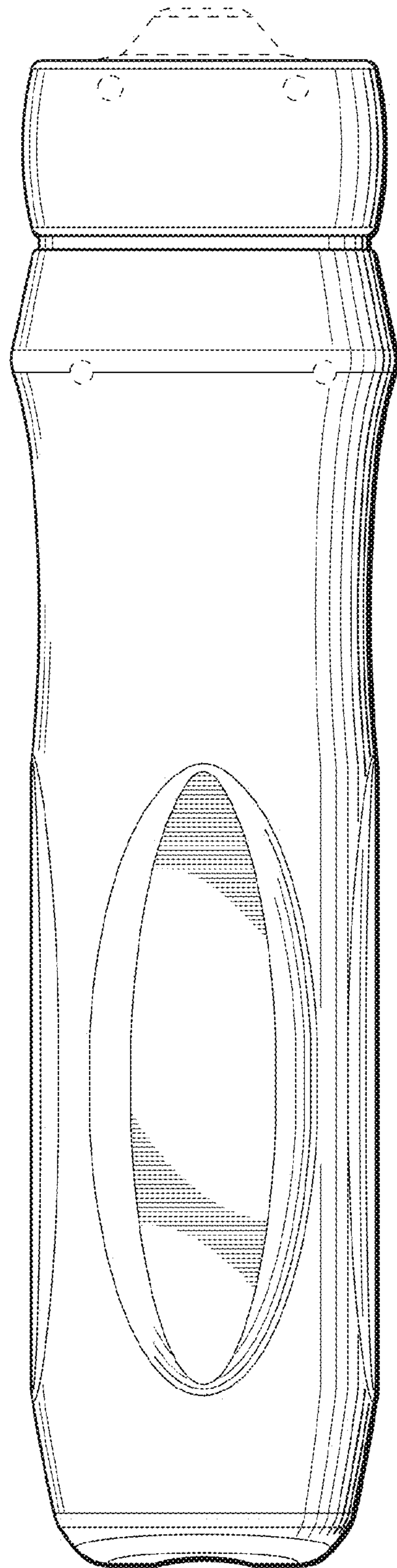


FIG. 7