



US00D921888S

(12) **United States Design Patent** (10) **Patent No.:** **US D921,888 S**  
**Chehab et al.** (45) **Date of Patent:** **\*\* Jun. 8, 2021**

- (54) **CATHETER SECURING DEVICE**
- (71) Applicant: **Novonate, Inc.**, South San Francisco, CA (US)
- (72) Inventors: **Eric Fayez Chehab**, San Francisco, CA (US); **Eric Johnson**, Woodside, CA (US); **Eric Anthony Kramer**, Los Altos Hills, CA (US); **Mario Dreissigacker Kohn**, Redwood City, CA (US); **James Kennedy Wall**, Woodside, CA (US); **Ross Daniel Venook**, Millbrae, CA (US); **Shivani Alexandra Torres**, San Francisco, CA (US)
- (73) Assignee: **Novonate, Inc.**, South San Francisco, CA (US)
- (\*\*) Term: **15 Years**
- (21) Appl. No.: **29/764,871**
- (22) Filed: **Jan. 4, 2021**

**Related U.S. Application Data**

- (62) Division of application No. 29/695,838, filed on Jun. 21, 2019, now Pat. No. Des. 907,768.
  - (51) **LOC (13) Cl.** ..... **24-02**
  - (52) **U.S. Cl.**  
USPC ..... **D24/128**
  - (58) **Field of Classification Search**  
USPC ..... D24/127-131, 112-114, 133, 186; 606/181, 185; 604/264, 523-528, 272, 604/187, 158, 164.01-164.11, 181, 184, 604/227; 600/101, 139, 143; 128/200.24, 207.14, 207.15  
CPC ..... A61M 25/02; A61M 2025/0206; A61M 2025/024; A61M 2025/0266; A61M 2025/028; A61M 2025/0246; Y10S 128/26
- See application file for complete search history.

- (56) **References Cited**
- U.S. PATENT DOCUMENTS
- 2,652,827 A 9/1953 Smith
- 3,674,032 A 7/1972 Minganti
- 4,353,369 A \* 10/1982 Muetterties ..... A61M 25/0637 604/272
- 4,915,694 A 4/1990 Yamamoto et al.
- D315,822 S \* 3/1991 Ryan ..... D24/128
- 5,006,830 A 4/1991 Merritt
- 5,370,627 A 12/1994 Conway
- (Continued)

**FOREIGN PATENT DOCUMENTS**

- CN 101822552 9/2010
- CN 203389010 1/2014
- (Continued)

*Primary Examiner* — Nathan M Johnston  
(74) *Attorney, Agent, or Firm* — Knobbe Martens Olson & Bear, LLP

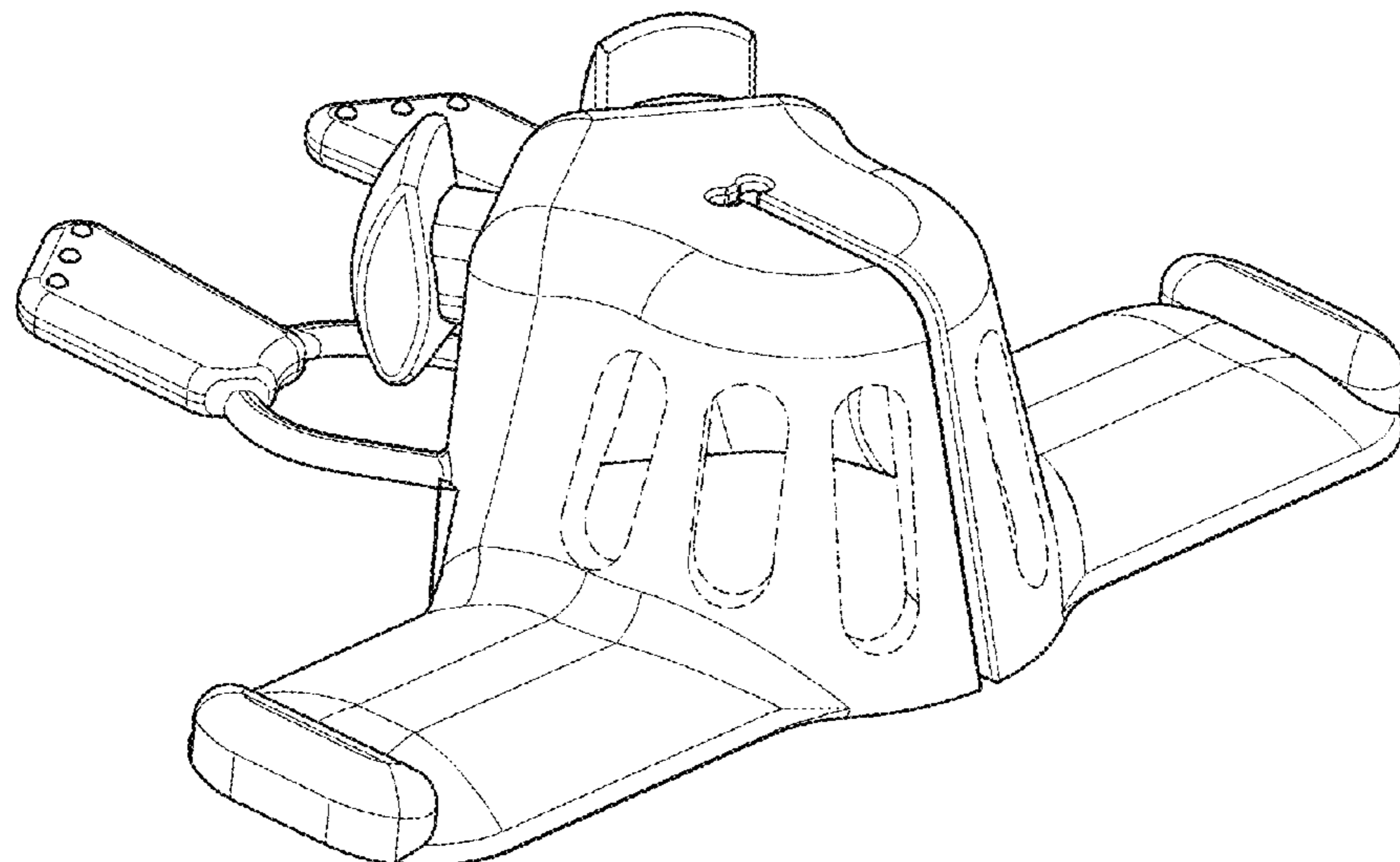
(57) **CLAIM**

The ornamental design for a catheter securing device, as shown and described.

**DESCRIPTION**

FIG. 1 is a front, left, and top perspective view of a catheter securing device.  
FIG. 2 is a back, right, and bottom perspective view thereof.  
FIG. 3 is a front elevation view thereof.  
FIG. 4 is a rear elevation view thereof.  
FIG. 5 is a top plan view thereof.  
FIG. 6 is a bottom plan view thereof.  
FIG. 7 is a right elevation view thereof; and,  
FIG. 8 is a left elevation view thereof.  
The broken line portions show unclaimed subject matter only and form no part of the claimed design.

**1 Claim, 4 Drawing Sheets**



(56)

References Cited

U.S. PATENT DOCUMENTS

6,866,652 B2 3/2005 Bierman  
 7,347,842 B2 3/2008 Thorne et al.  
 D613,857 S \* 4/2010 Bierman ..... D24/130  
 D613,858 S 4/2010 Bierman  
 D613,859 S \* 4/2010 Bierman ..... D24/130  
 8,052,648 B2 11/2011 Dikeman et al.  
 8,057,440 B2 \* 11/2011 Bierman ..... A61M 25/02  
 604/180  
 8,269,059 B2 9/2012 Wright  
 8,556,859 B2 \* 10/2013 Nilson ..... A61M 25/02  
 604/174  
 8,617,115 B2 12/2013 Kennard et al.  
 8,641,614 B2 2/2014 Coelho  
 9,174,027 B2 11/2015 Kennard  
 9,220,870 B2 \* 12/2015 Hyman ..... A61M 25/02  
 D817,482 S 5/2018 Howell et al.  
 D819,802 S 6/2018 Burkholz et al.  
 D835,262 S 12/2018 Burkholz et al.  
 10,441,727 B2 \* 10/2019 Shimer ..... A61M 5/3243  
 10,471,235 B2 11/2019 Dambkowski et al.  
 D876,621 S 2/2020 Olson et al.  
 10,814,106 B2 \* 10/2020 Garrison ..... A61M 25/0631  
 D907,768 S 1/2021 Chehab et al.  
 2004/0102736 A1 \* 5/2004 Bierman ..... A61M 25/02  
 604/180  
 2005/0113759 A1 5/2005 Mueller et al.  
 2006/0264836 A1 11/2006 Bierman

2007/0055205 A1 3/2007 Wright  
 2008/0202531 A1 8/2008 Fletcher  
 2009/0143740 A1 \* 6/2009 Bierman ..... A61M 25/02  
 604/177  
 2010/0179481 A1 7/2010 Bierman et al.  
 2010/0228090 A1 9/2010 Weisenburgh, II et al.  
 2010/0324491 A1 12/2010 Bierman et al.  
 2011/0282290 A1 11/2011 Kennard et al.  
 2011/0282291 A1 11/2011 Ciccone  
 2012/0179119 A1 \* 7/2012 Ng ..... A61M 5/158  
 604/263  
 2012/0232356 A1 9/2012 Coelho  
 2013/0053785 A1 2/2013 Parvatiyar et al.  
 2013/0237928 A1 9/2013 Fisher et al.  
 2013/0345639 A1 12/2013 Spittler  
 2014/0060548 A1 3/2014 Check  
 2018/0207398 A1 7/2018 Jho  
 2020/0023165 A1 1/2020 Dambkowski et al.  
 2020/0330733 A1 \* 10/2020 Howell ..... A61M 25/02

FOREIGN PATENT DOCUMENTS

CN 103735370 4/2014  
 CN 203677702 7/2014  
 CN 204158799 2/2015  
 CN 204170268 2/2015  
 WO WO 2016/178804 11/2016  
 WO WO 2020/005777 1/2020

\* cited by examiner

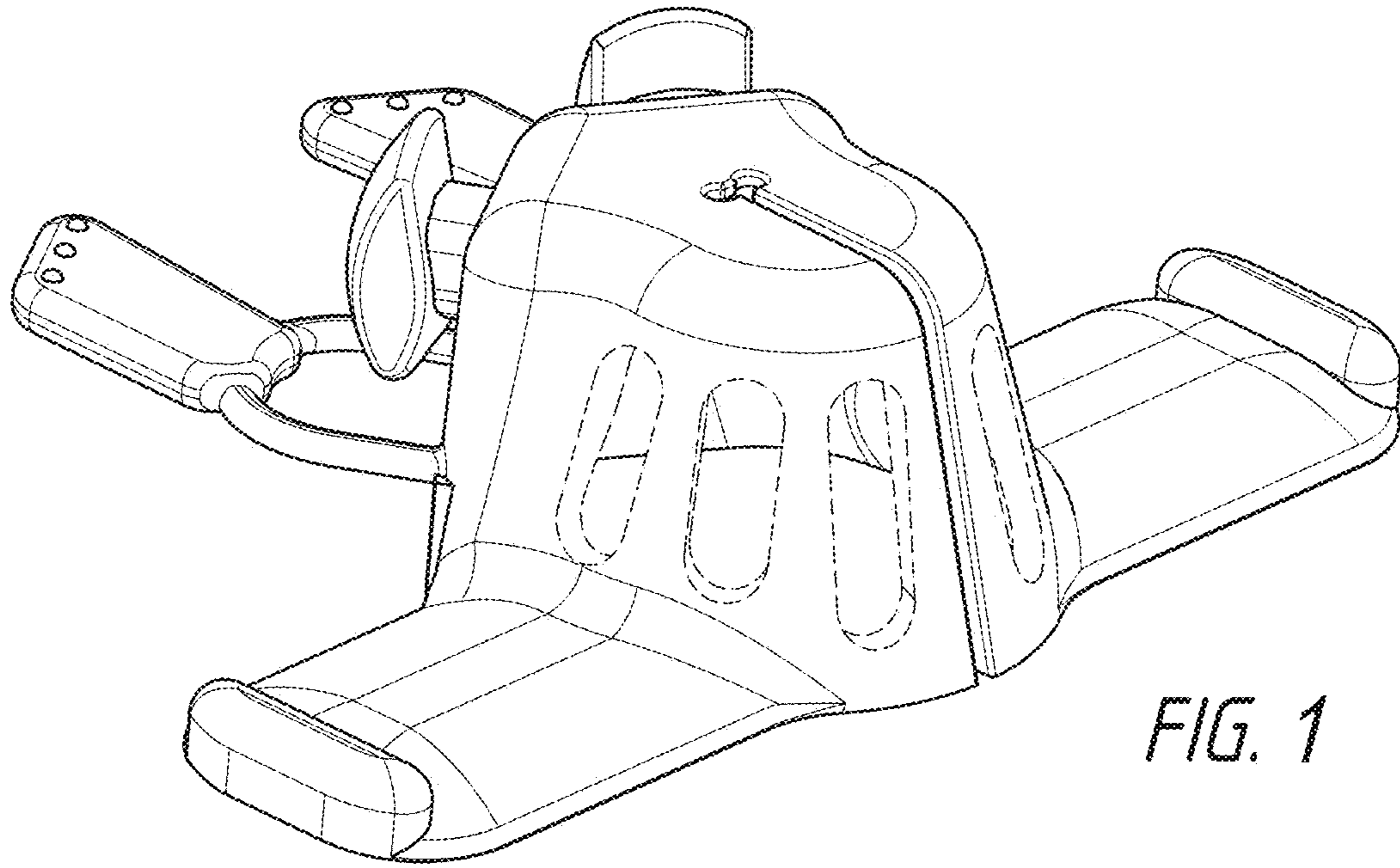


FIG. 1

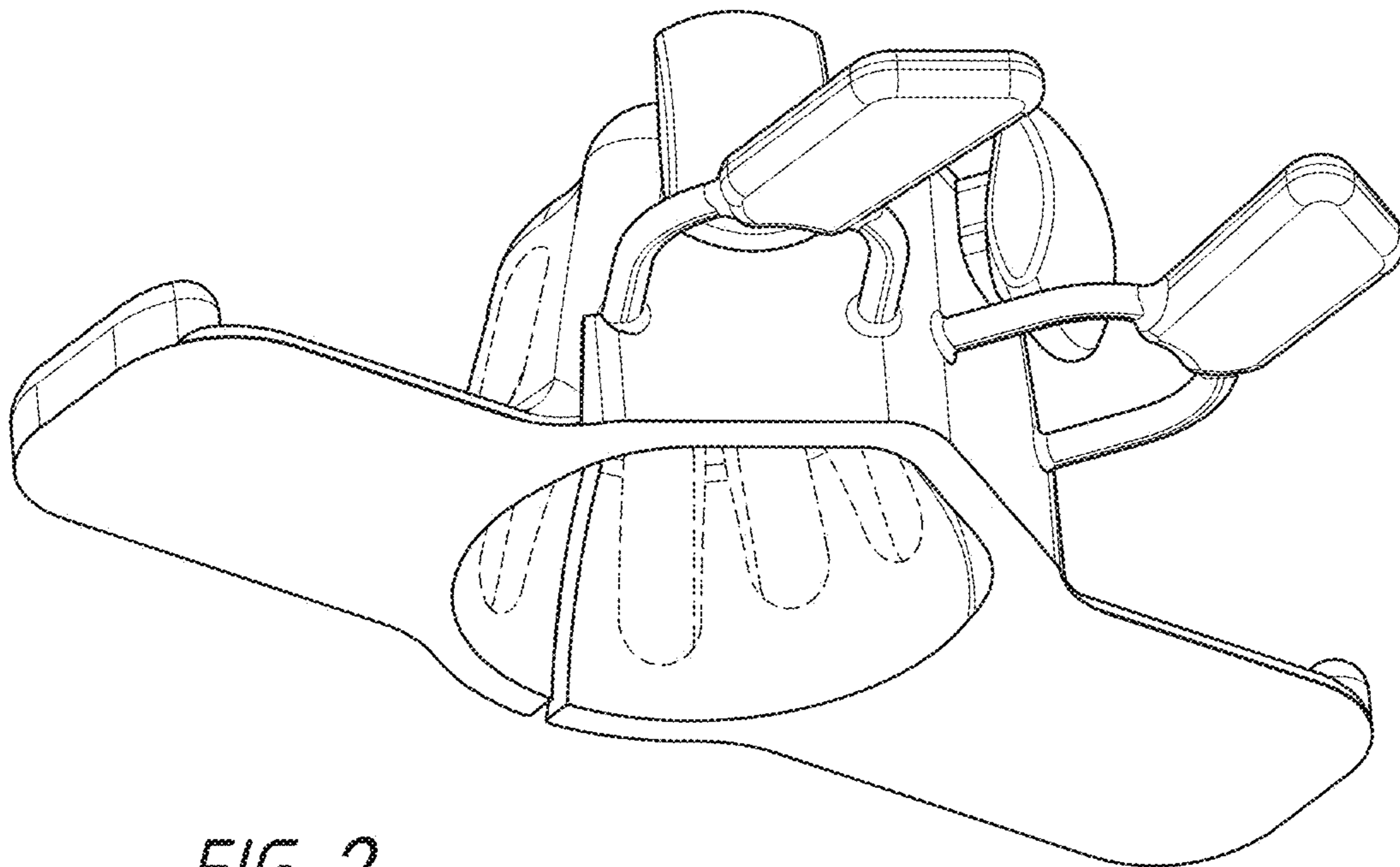


FIG. 2

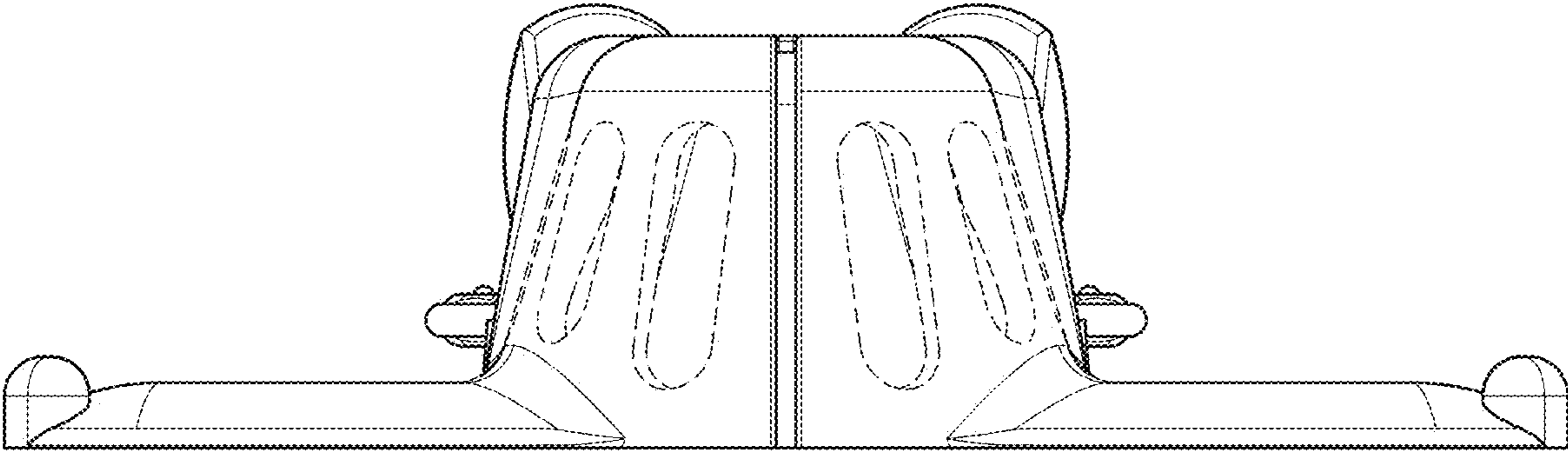


FIG. 3

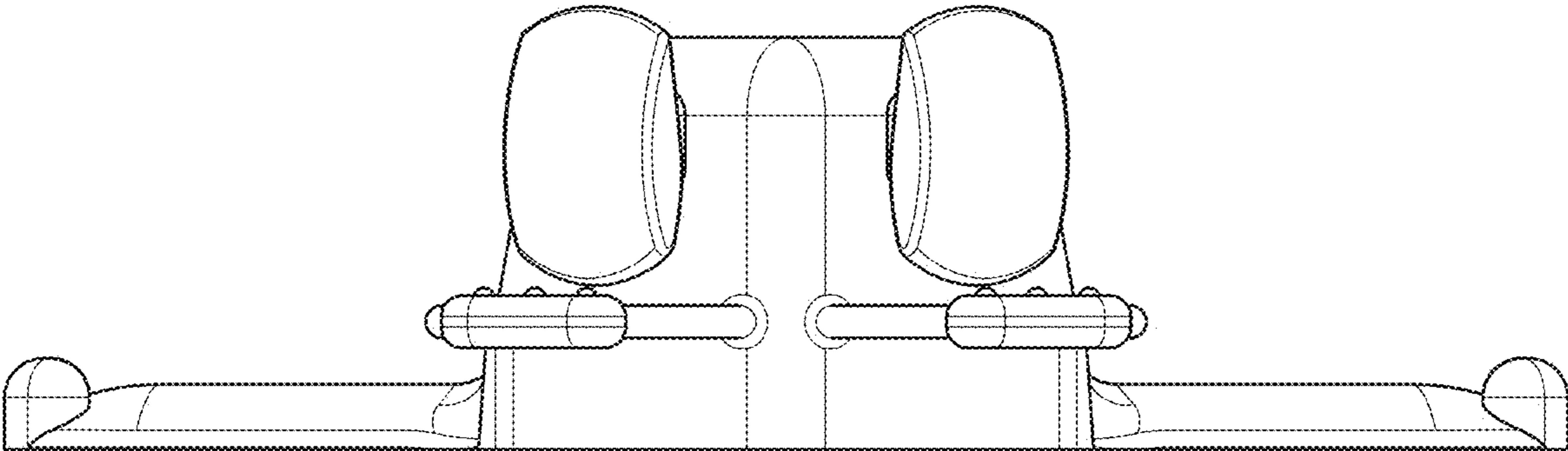


FIG. 4

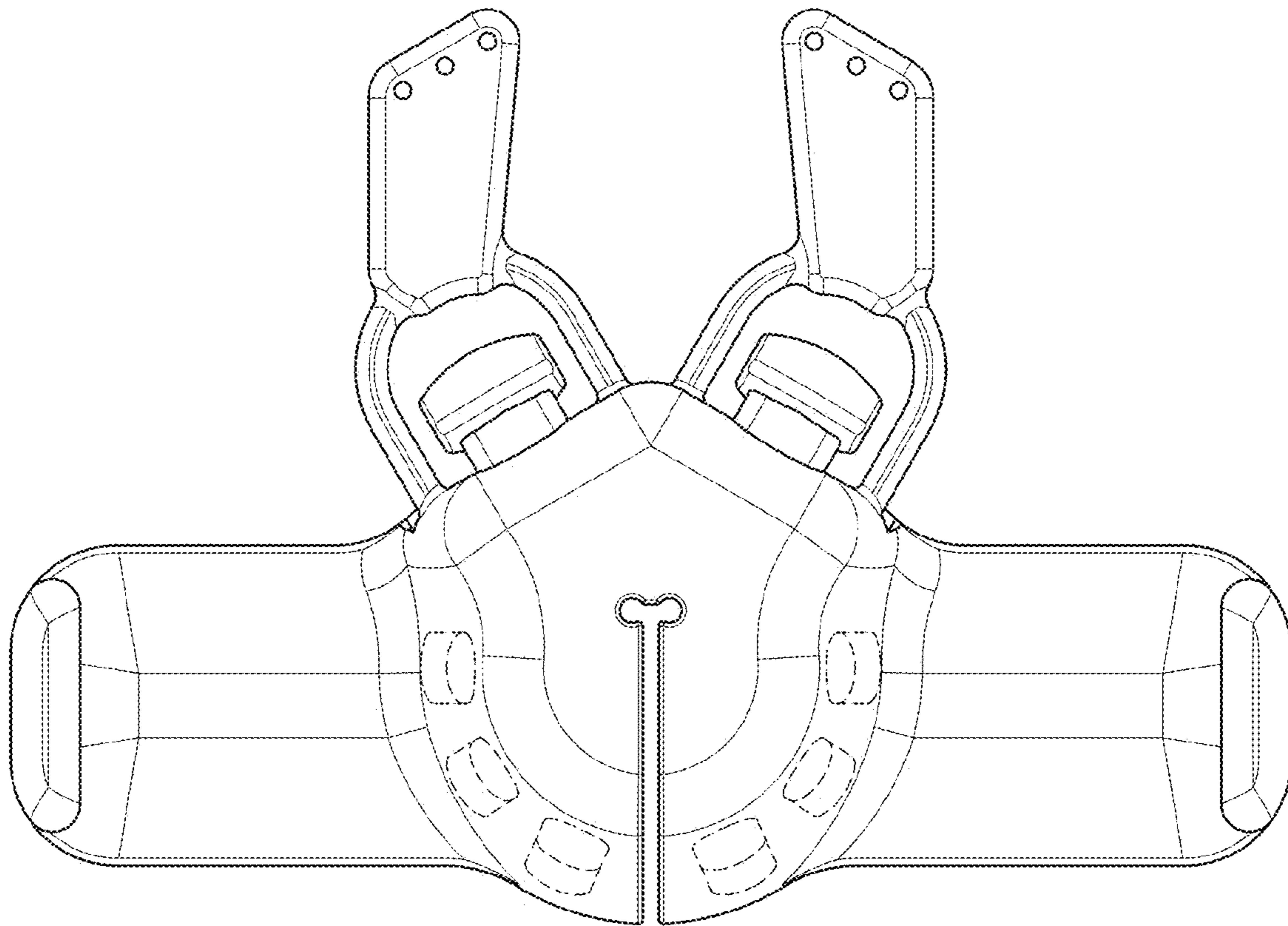


FIG. 5

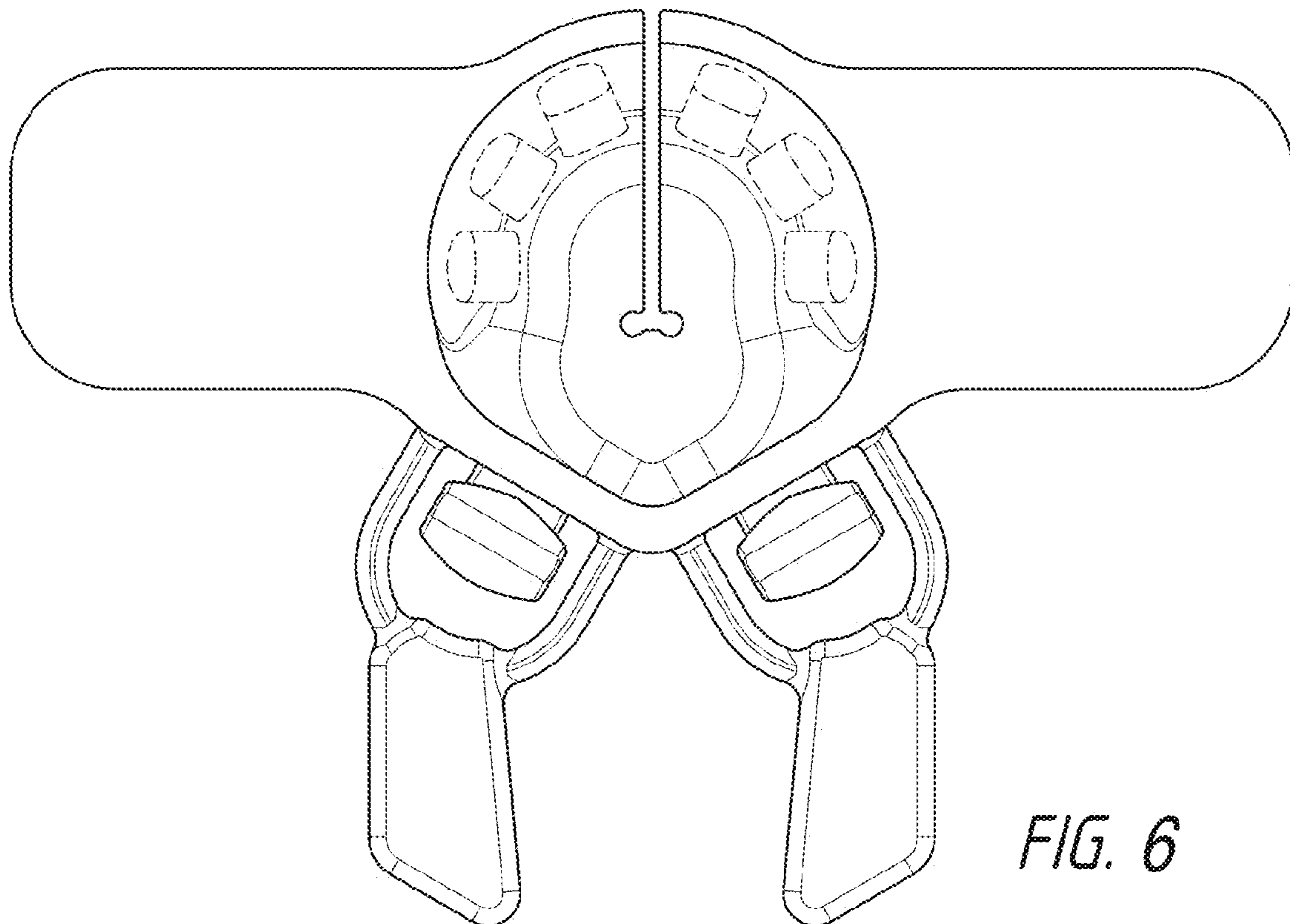
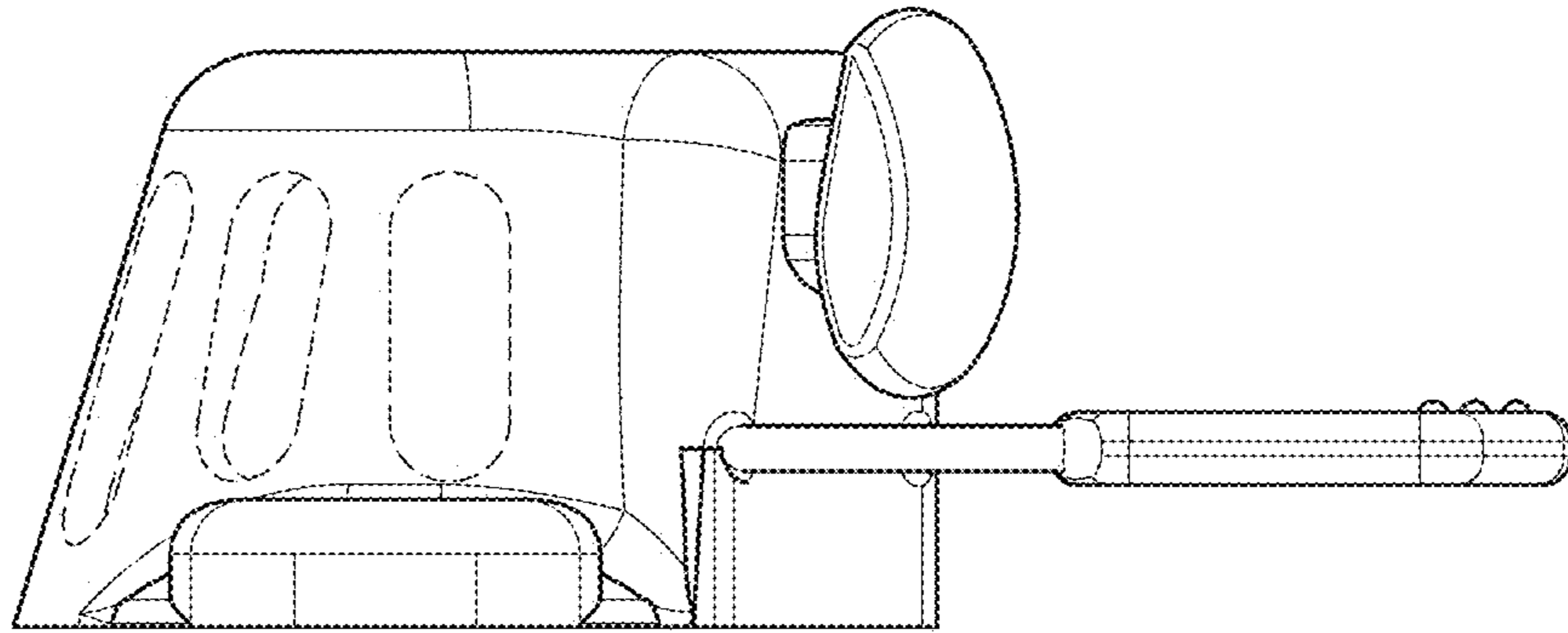
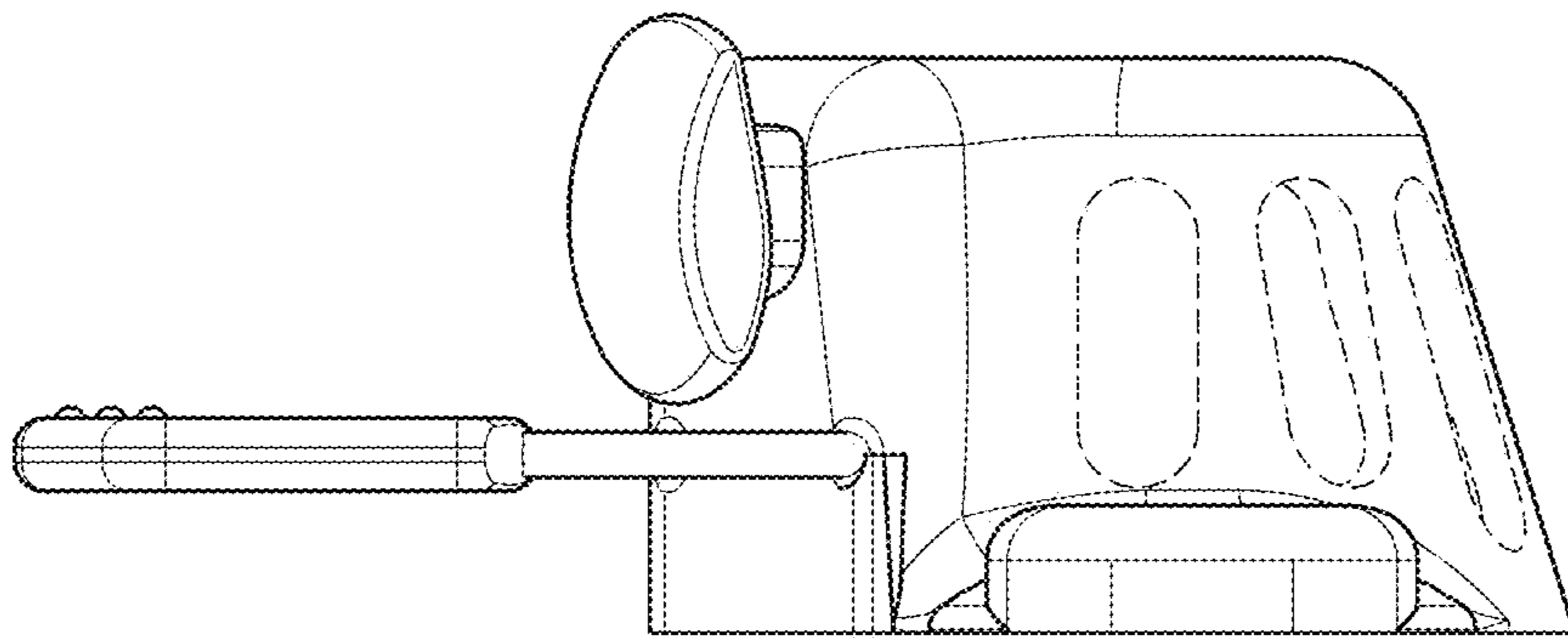


FIG. 6



*FIG. 7*



*FIG. 8*

UNITED STATES PATENT AND TRADEMARK OFFICE  
**CERTIFICATE OF CORRECTION**

PATENT NO. : D921,888 S  
APPLICATION NO. : 29/764871  
DATED : June 8, 2021  
INVENTOR(S) : Eric Fayez Chehab et al.

Page 1 of 1

It is certified that error appears in the above-identified patent and that said Letters Patent is hereby corrected as shown below:

On the Title Page

In Column 1, Item (72), Inventors, Line 4, delete "Mario" and insert -- Marlo --.

Signed and Sealed this  
Tenth Day of August, 2021



Drew Hirshfeld  
*Performing the Functions and Duties of the  
Under Secretary of Commerce for Intellectual Property and  
Director of the United States Patent and Trademark Office*