



US00D921887S

(12) **United States Design Patent**
Hu et al.

(10) **Patent No.:** **US D921,887 S**
(45) **Date of Patent:** **** Jun. 8, 2021**

(54) **PINCH CLAMP**

(71) Applicant: **Becton, Dickinson and Company,**
Franklin Lakes, NJ (US)

(72) Inventors: **Olivia Hu,** Shanghai (CN); **Ralph L. Sonderegger,** Farmington, UT (US);
Shaun Staley, Murray, UT (US)

(73) Assignee: **Becton, Dickinson and Company,**
Franklin Lakes, NJ (US)

(**) Term: **15 Years**

(21) Appl. No.: **29/763,139**

(22) Filed: **Dec. 21, 2020**

Related U.S. Application Data

(62) Division of application No. 29/732,255, filed on Apr. 22, 2020, now Pat. No. Des. 908,871.

(51) **LOC (13) Cl.** **24-02**

(52) **U.S. Cl.**
USPC **D24/128; D24/143**

(58) **Field of Classification Search**
USPC D24/128, 133, 143, 129, 135; 606/157;
128/910, DIG. 25; 248/74.2, 316.1;
D8/390, 395; 24/499, 562-563, 536, 557,
24/293, 508, 910

CPC B25B 1/00; B25B 5/00; B25B 1/2478;
B25B 1/103; B25B 1/22; B25B 1/2405;
B25B 1/2457

See application file for complete search history.

(56) **References Cited**

U.S. PATENT DOCUMENTS

4,588,160 A * 5/1986 Flynn A61M 39/284
251/10
4,589,626 A * 5/1986 Kurtz A61M 39/288
251/10

D286,014 S * 10/1986 Davis D8/395
4,744,788 A * 5/1988 Mercer, Jr. A61B 17/122
604/500
D298,216 S * 10/1988 Eisenberg D24/129
5,695,505 A * 12/1997 Yoon A61B 17/0487
606/151
5,913,862 A * 6/1999 Ramsey A61B 17/122
606/120
D427,307 S * 6/2000 Guala D24/129
D428,330 S * 7/2000 Johnston D8/395
D431,650 S * 10/2000 Guala D24/129
D484,400 S * 12/2003 Blake D8/356
D507,481 S * 7/2005 Blake D8/356
D517,884 S * 3/2006 Ellingwood D24/133
D518,687 S * 4/2006 Baker D24/143
D619,711 S * 7/2010 Lombardo D24/143
D637,712 S * 5/2011 Chau D24/129
D638,121 S * 5/2011 Villasana D24/128
D809,370 S * 2/2018 Tang D8/356
D810,555 S * 2/2018 O'Brien D8/394
D827,418 S * 9/2018 Austin D8/356

(Continued)

Primary Examiner — Nathan M Johnston

(74) *Attorney, Agent, or Firm* — Kirton & McConkie;
Craig Metcalf; Kevin Stinger

(57) **CLAIM**

The ornamental design for a pinch clamp, as shown in FIGS. 1-7.

DESCRIPTION

FIG. 1 is a front perspective view of a pinch clamp showing our new design;

FIG. 2 is a front elevation view thereof;

FIG. 3 is a rear elevation view thereof;

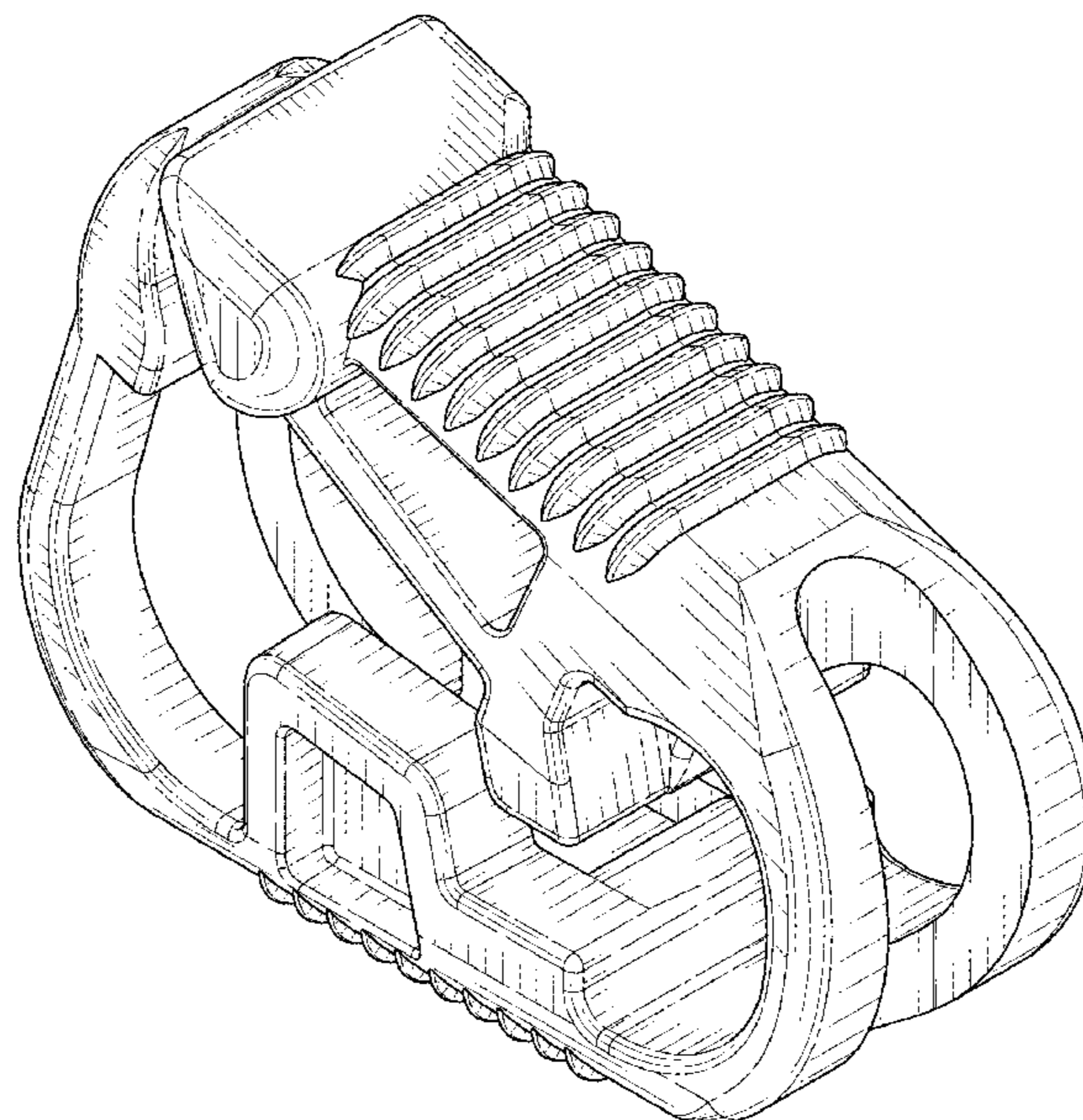
FIG. 4 is a left elevation view thereof;

FIG. 5 is a right elevation view thereof;

FIG. 6 is a top plan view thereof; and,

FIG. 7 is a bottom plan view thereof.

1 Claim, 4 Drawing Sheets



(56)

References Cited

U.S. PATENT DOCUMENTS

2011/0009717 A1* 1/2011 Davis A61B 5/150389
600/309
2015/0018783 A1* 1/2015 Myers A61M 39/284
604/319
2016/0213889 A1* 7/2016 Sos A61M 25/0097
2017/0326339 A1* 11/2017 Bailey A61M 25/0637
2019/0275300 A1* 9/2019 Rosenberg A61M 25/04
2019/0321616 A1* 10/2019 Akahori A61M 39/10

* cited by examiner

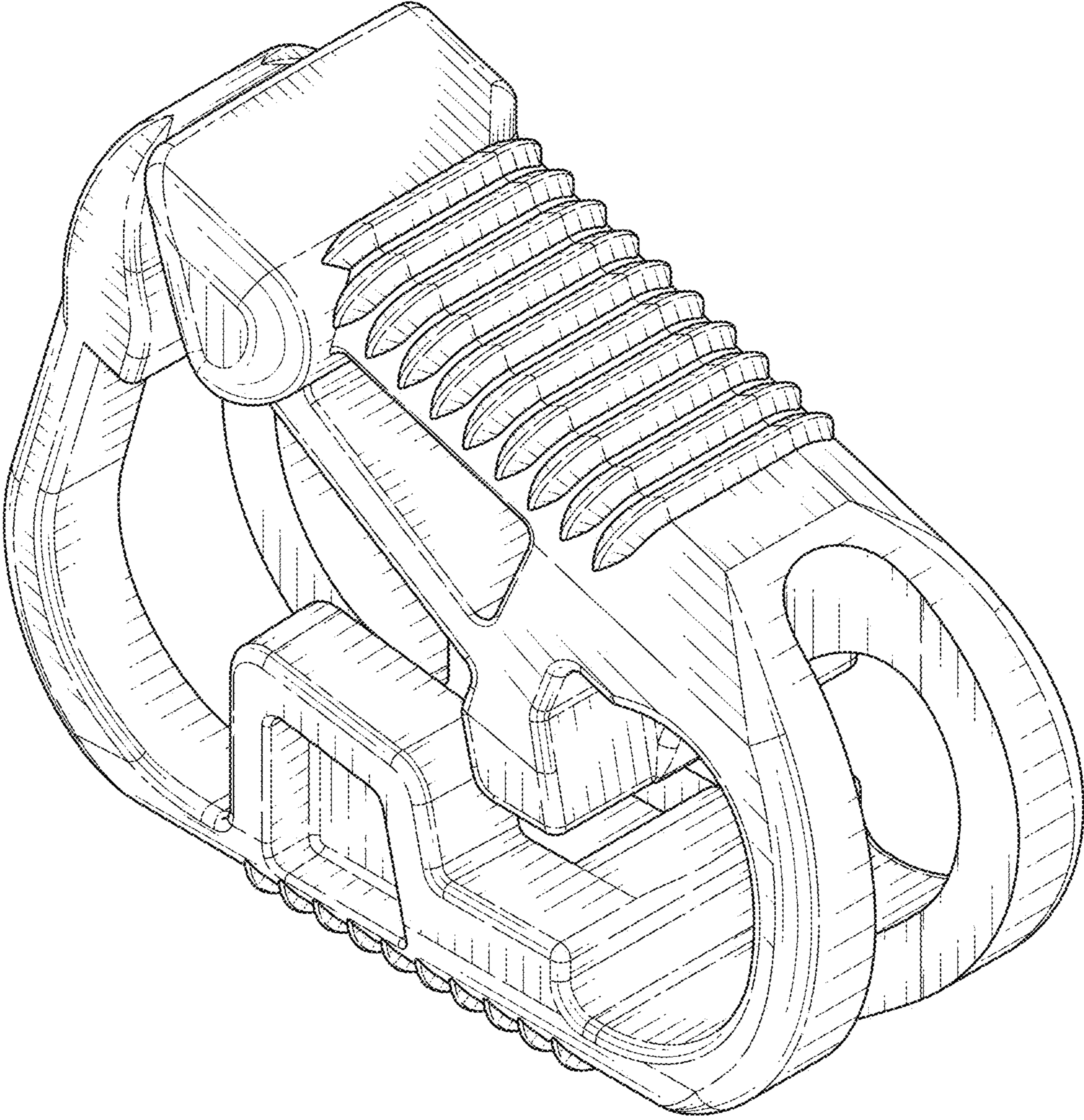


FIG. 1

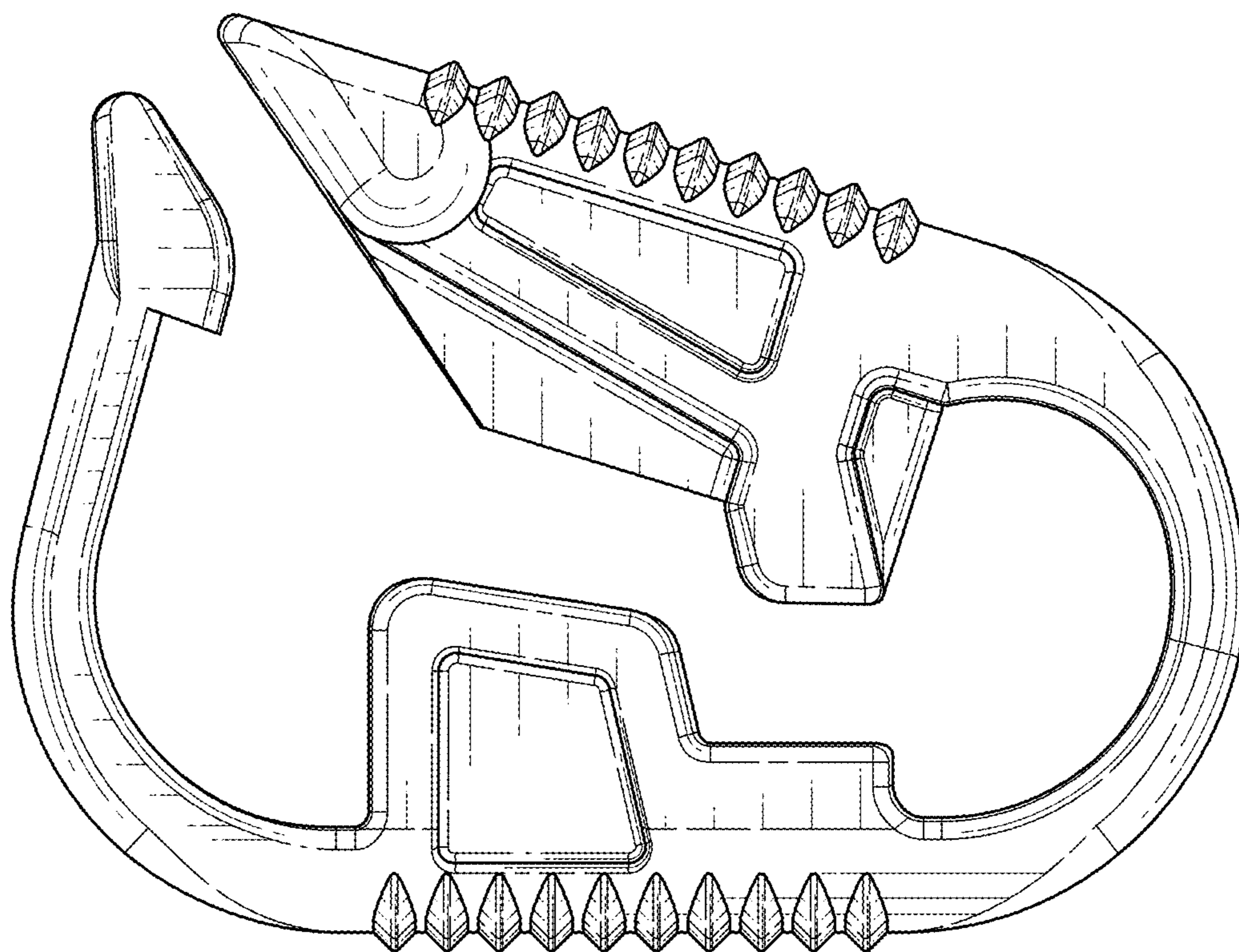


FIG. 2

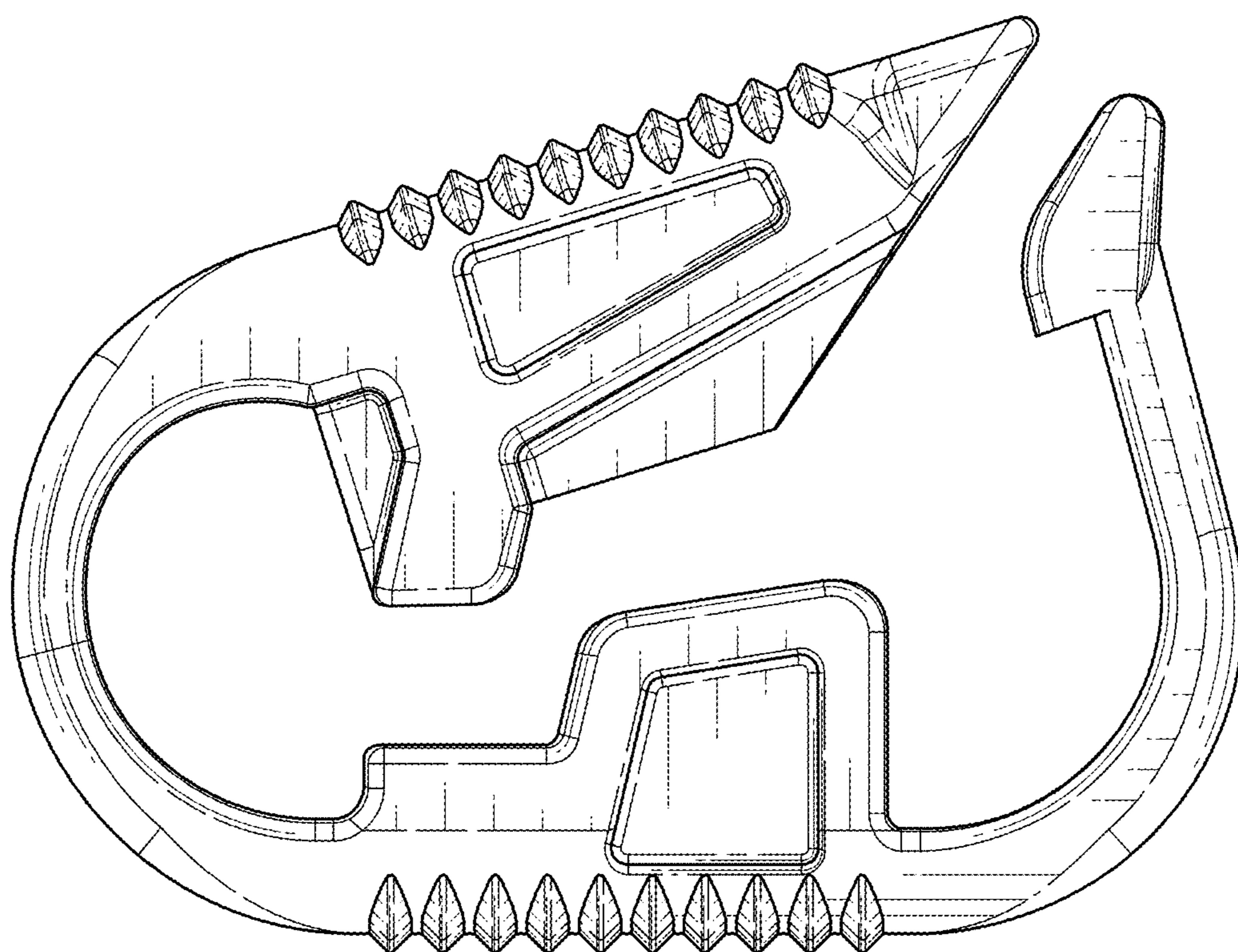


FIG. 3

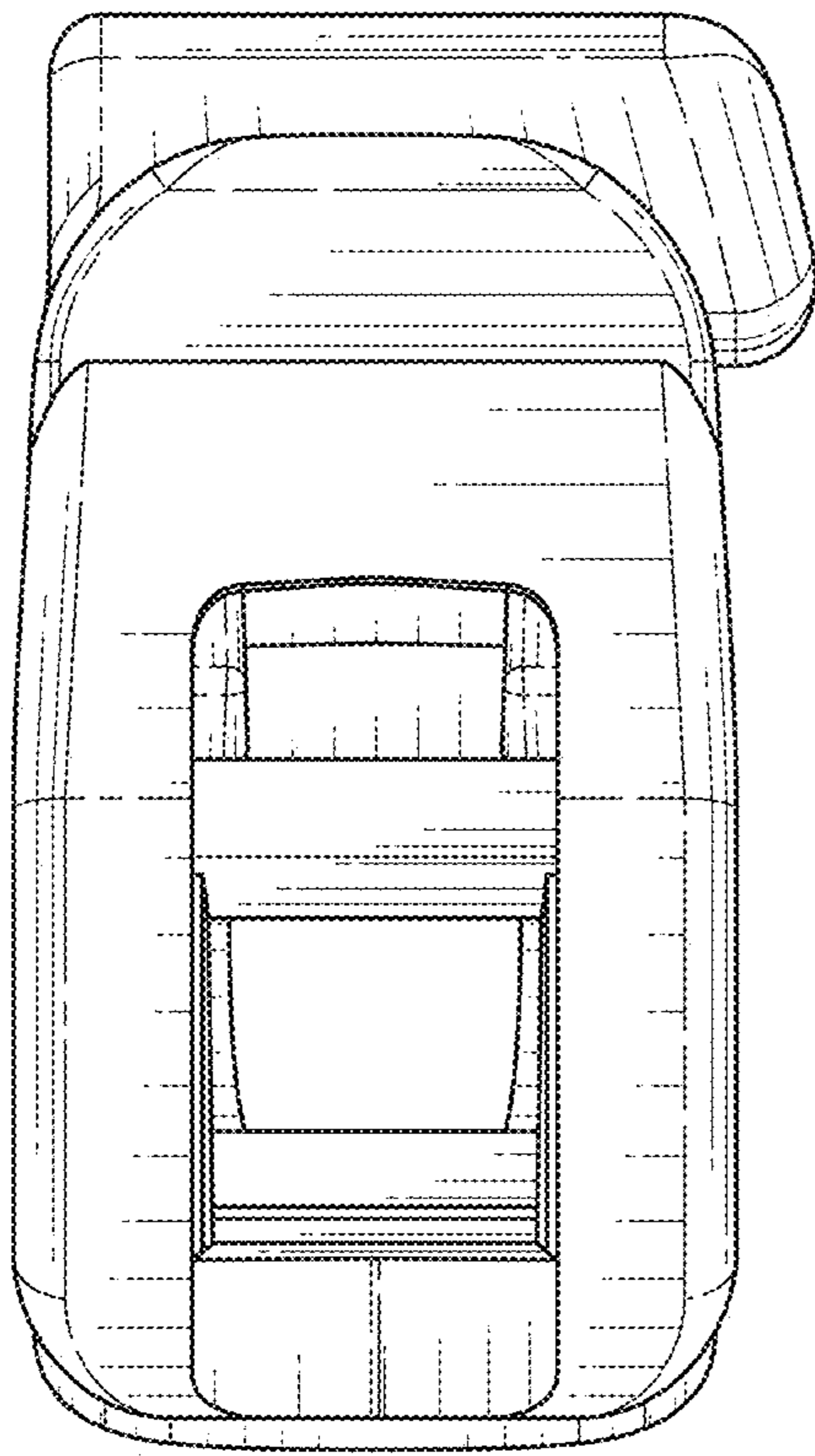


FIG. 4

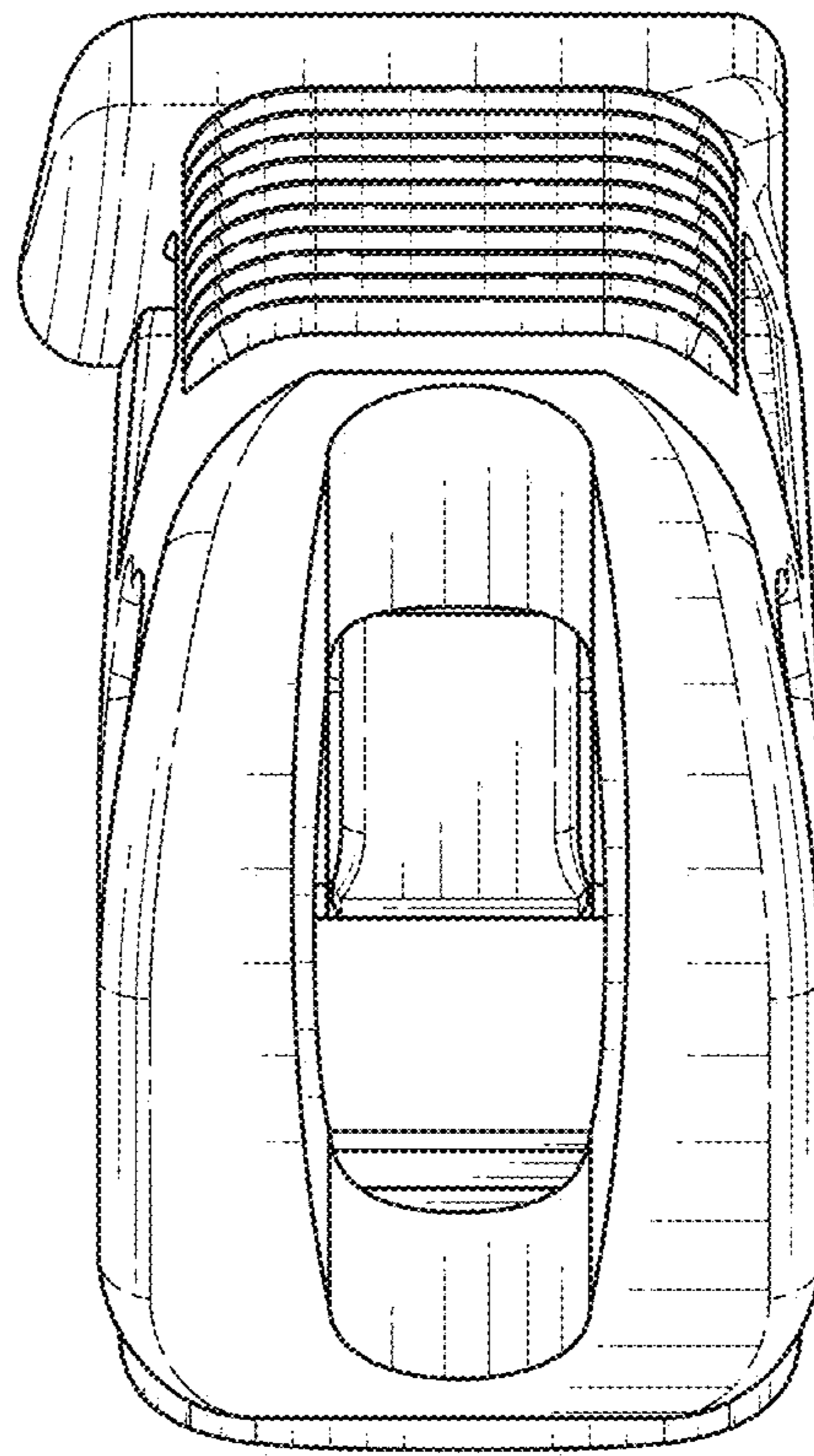


FIG. 5

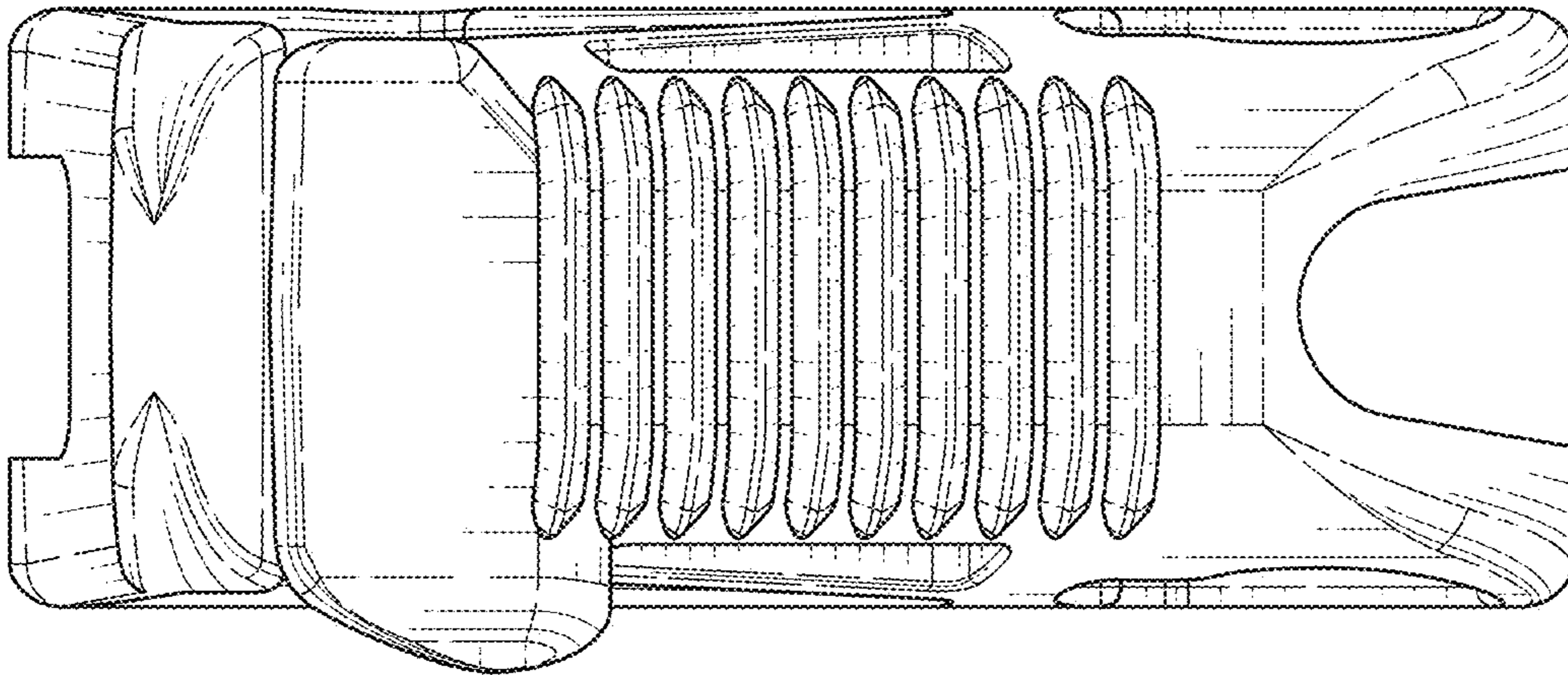


FIG. 6

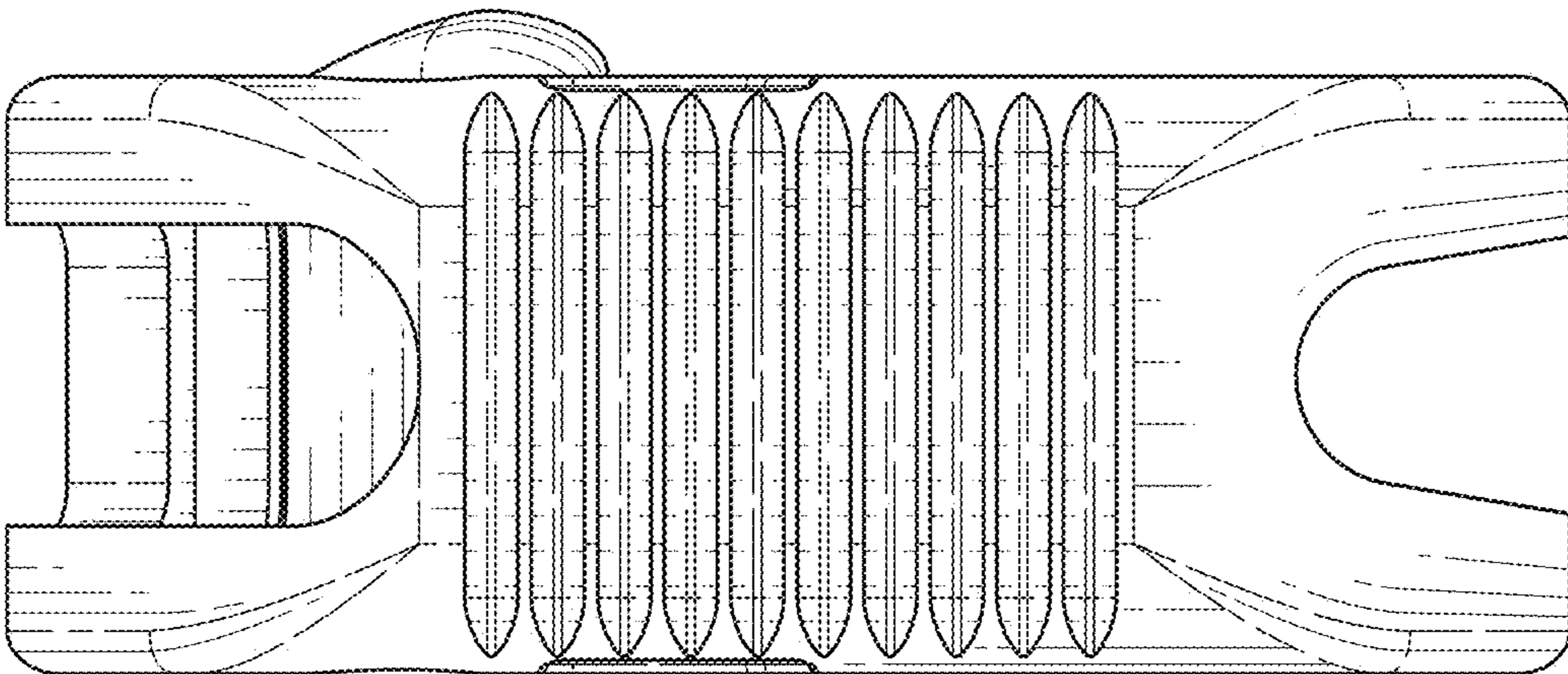


FIG. 7