



US00D921886S

(12) **United States Design Patent** (10) **Patent No.:** **US D921,886 S**  
**Froum** (45) **Date of Patent:** **\*\* Jun. 8, 2021**

(54) **DENTAL DEVICE**  
(71) Applicant: **Hana Froum**, Park Ridge, NJ (US)  
(72) Inventor: **Hana Froum**, Park Ridge, NJ (US)  
(\*\*) Term: **15 Years**  
(21) Appl. No.: **29/672,241**  
(22) Filed: **Dec. 4, 2018**  
(51) **LOC (13) Cl.** ..... **24-02**  
(52) **U.S. Cl.**  
USPC ..... **D24/128; D24/152; D8/356**  
(58) **Field of Classification Search**  
USPC ..... D24/128, 152, 154, 156, 161, 177, 183,  
D24/185, 199, 224, 229; D8/71, 72, 349,  
D8/355, 356  
CPC .... A61C 3/04; A61C 7/12; A61C 7/14; A61C  
7/28; A61M 39/00; A61M 39/08; A61M  
39/10; A61M 39/16; A61M 25/02; Y10T  
24/00; Y10T 24/13; Y10T 24/39; B65H  
75/36  
See application file for complete search history.

(56) **References Cited**  
U.S. PATENT DOCUMENTS  
D221,531 S \* 8/1971 Kimmel ..... D25/119  
D350,947 S \* 9/1994 Klinger ..... D14/454  
D390,101 S \* 2/1998 Nygard ..... D8/395  
D409,079 S \* 5/1999 Sobczynski ..... D8/354  
D442,001 S \* 5/2001 Loveless ..... D6/553  
D462,601 S \* 9/2002 Chaney ..... D25/119  
D473,124 S \* 4/2003 Wu ..... D8/356  
D620,335 S \* 7/2010 Reilly ..... D8/70  
D648,685 S \* 11/2011 Symons ..... D13/155  
D657,055 S \* 4/2012 Damber ..... D24/128  
D698,022 S \* 1/2014 Flanagan ..... D24/161  
D731,275 S \* 6/2015 Hochman ..... D8/65  
D762,300 S \* 7/2016 Breitweiser ..... D24/128  
D762,455 S \* 8/2016 Partridge ..... D8/349

D769,700 S \* 10/2016 Chinchon ..... D8/356  
D808,250 S \* 1/2018 Chang ..... D8/356  
D822,459 S \* 7/2018 Kobayashi ..... D8/356  
D836,431 S \* 12/2018 Frost ..... D8/396  
D876,933 S \* 3/2020 Elliott ..... D8/356  
D886,991 S \* 6/2020 Kindler ..... D24/128  
D890,924 S \* 7/2020 Godinez ..... D24/128  
D896,371 S \* 9/2020 Azapagic ..... D24/128  
D905,534 S \* 12/2020 Gurnett ..... D8/349  
D909,179 S \* 2/2021 Kovacs ..... D8/349  
D909,187 S \* 2/2021 Hanke ..... D8/356  
2003/0063890 A1\* 4/2003 Wu ..... G02B 6/4471  
385/137  
2010/0122834 A1\* 5/2010 Chang ..... B65H 75/36  
174/135

(Continued)

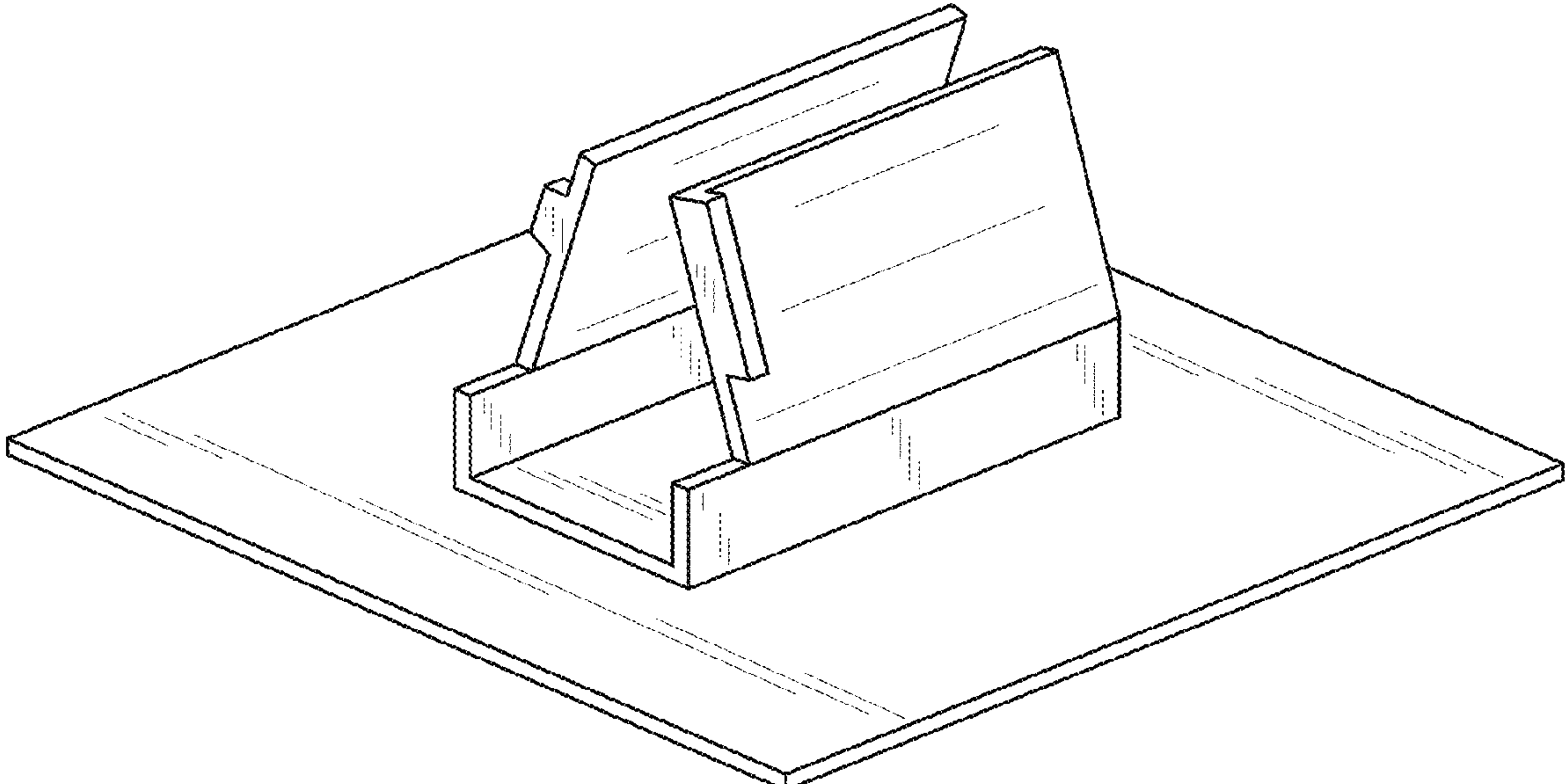
*Primary Examiner* — Wan Laymon  
*Assistant Examiner* — Clint A Samuel  
(74) *Attorney, Agent, or Firm* — Millen, White, Zelano &  
Branigan, PC; Ryan Pool

(57) **CLAIM**  
The ornamental design for a dental device, as shown and  
described.

**DESCRIPTION**

FIG. 1 is a top perspective view of the dental device showing  
my new design;  
FIG. 2 is a side view thereof;  
FIG. 3 is a another side view thereof;  
FIG. 4 is a front view thereof;  
FIG. 5 is a back view thereof;  
FIG. 6 is a top view thereof;  
FIG. 7 is bottom view thereof; and,  
FIG. 8 is a top perspective view of the dental device in an  
environment of use.  
The broken lines in the drawings illustrate the dental device  
in an environment of use which forms no part of the claimed  
design.

**1 Claim, 8 Drawing Sheets**



(56)

**References Cited**

U.S. PATENT DOCUMENTS

2013/0079723 A1\* 3/2013 Andino ..... G04F 13/06  
604/180  
2014/0188078 A1\* 7/2014 Peters ..... A61M 25/02  
604/508  
2019/0141431 A1\* 5/2019 Putnam, Jr. .... B65H 75/28  
2019/0150673 A1\* 5/2019 Joe ..... A47J 47/16  
2020/0030061 A1\* 1/2020 Mashouf ..... A61C 7/023

\* cited by examiner

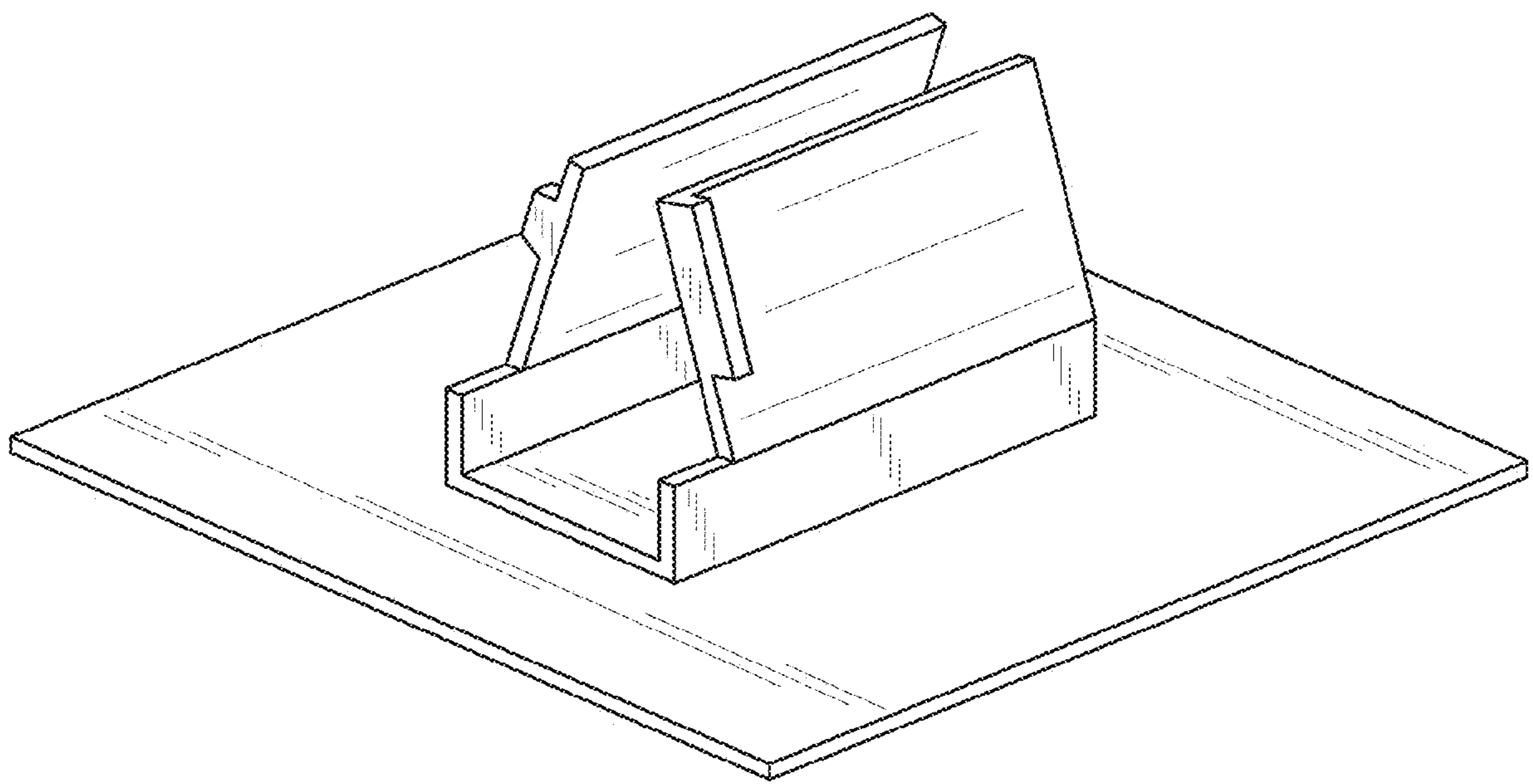


FIG. 1

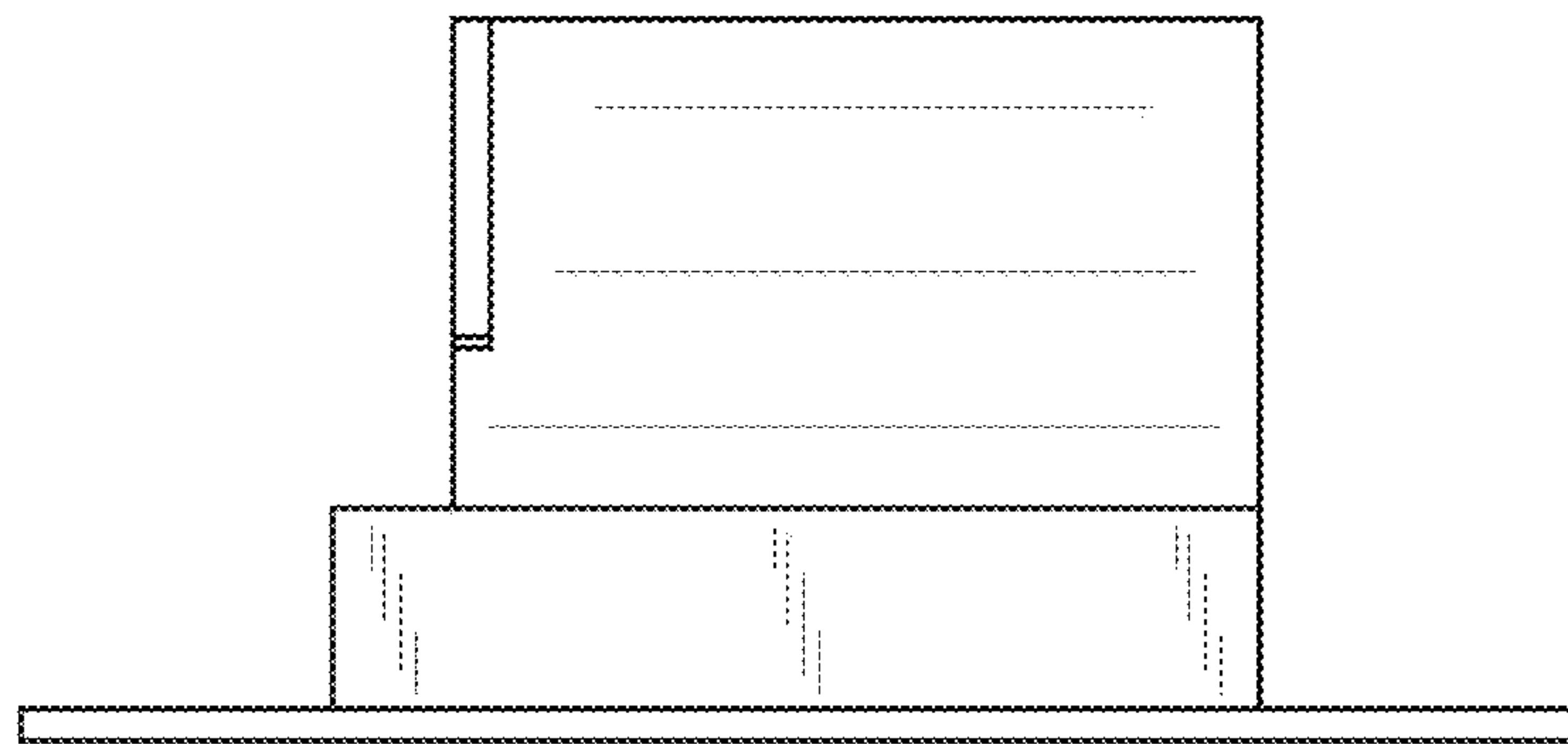


FIG. 2

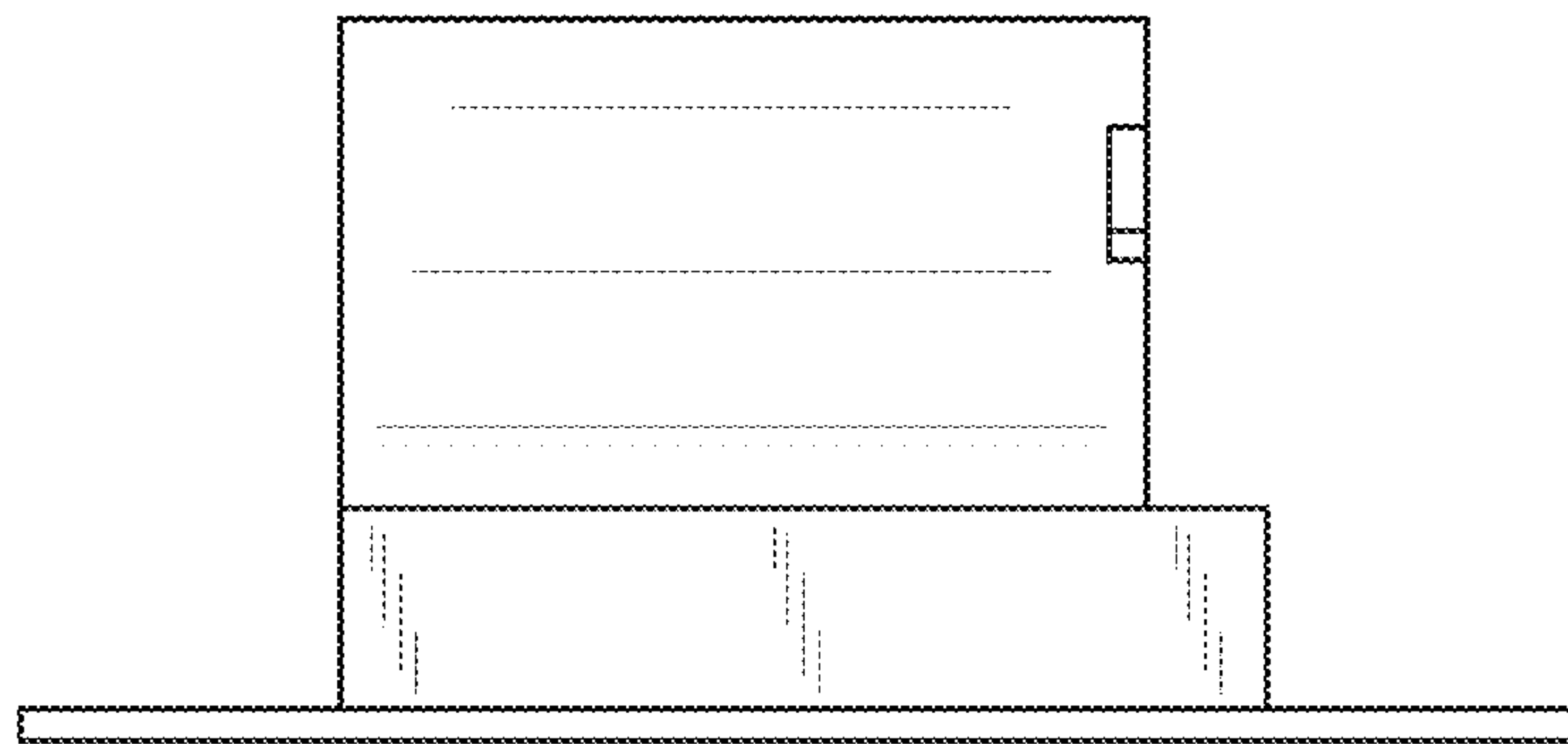


FIG. 3

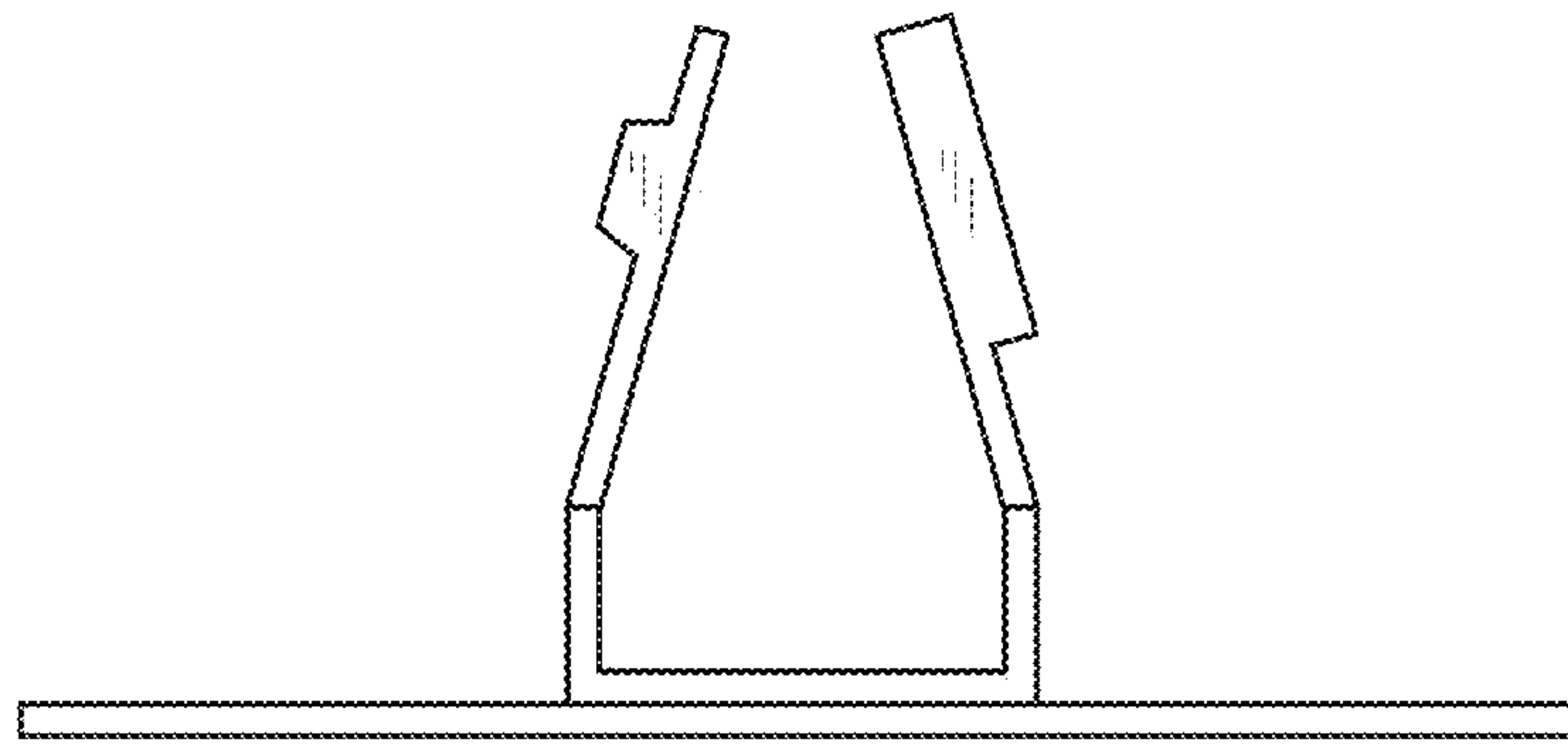


FIG. 4

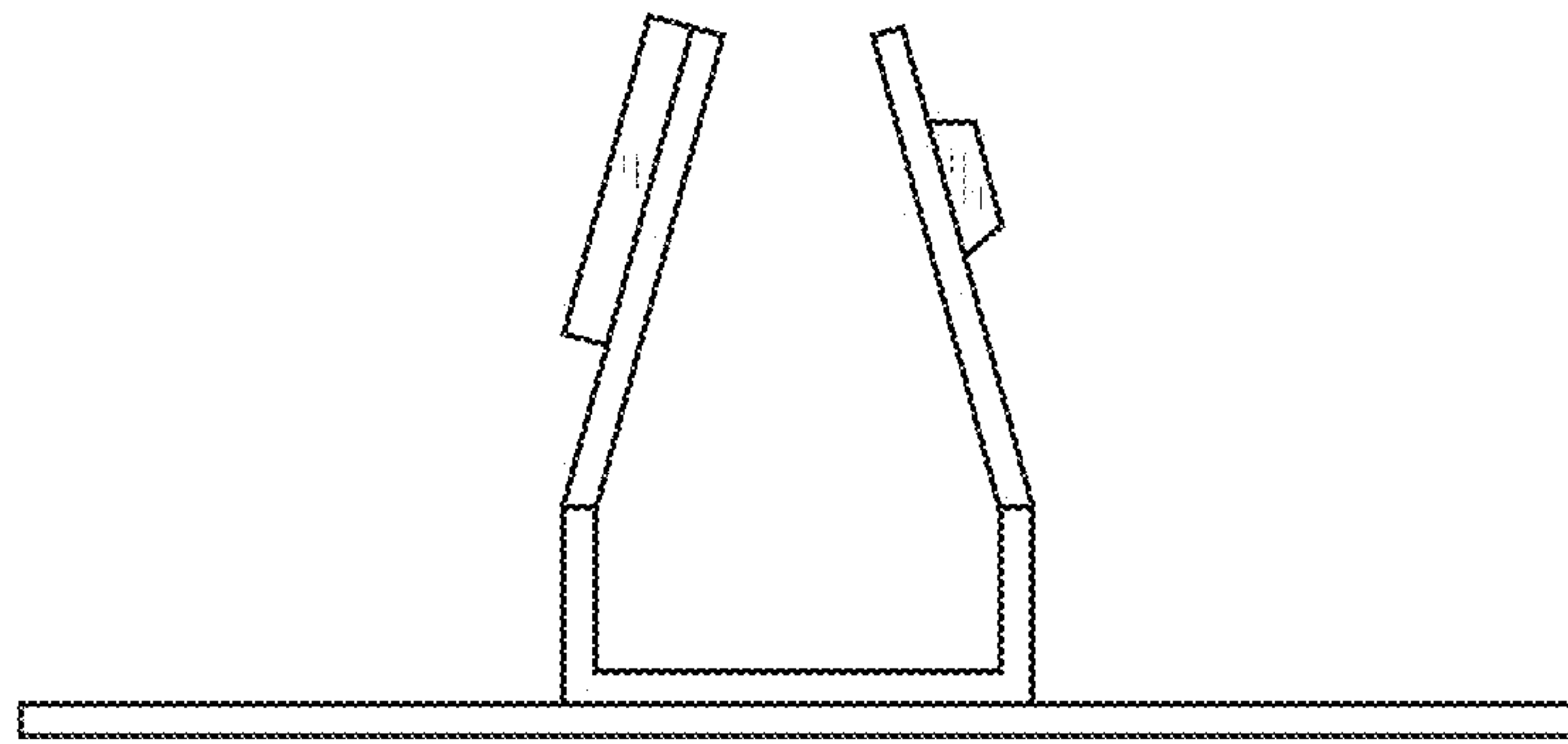


FIG. 5

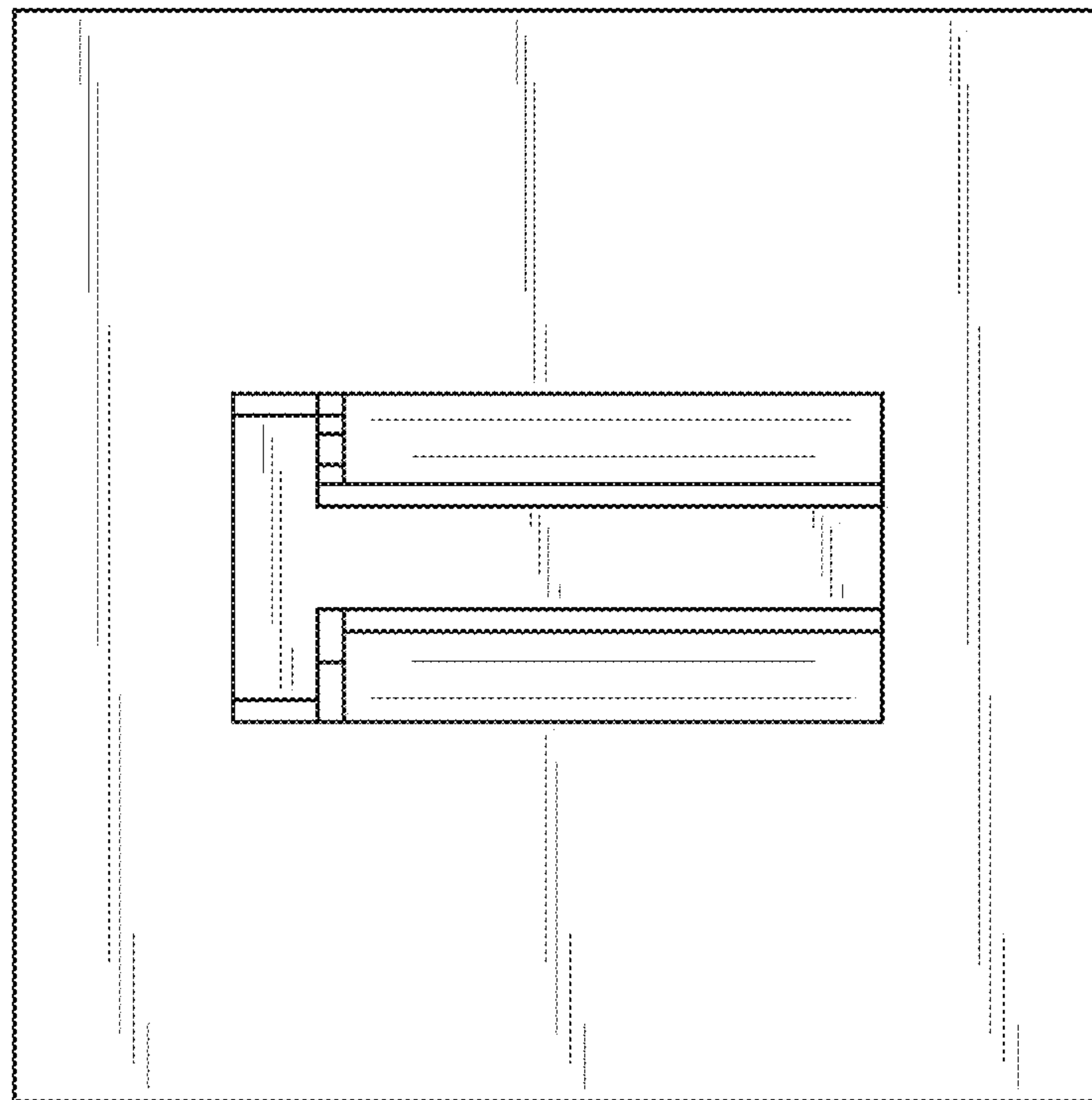


FIG. 6



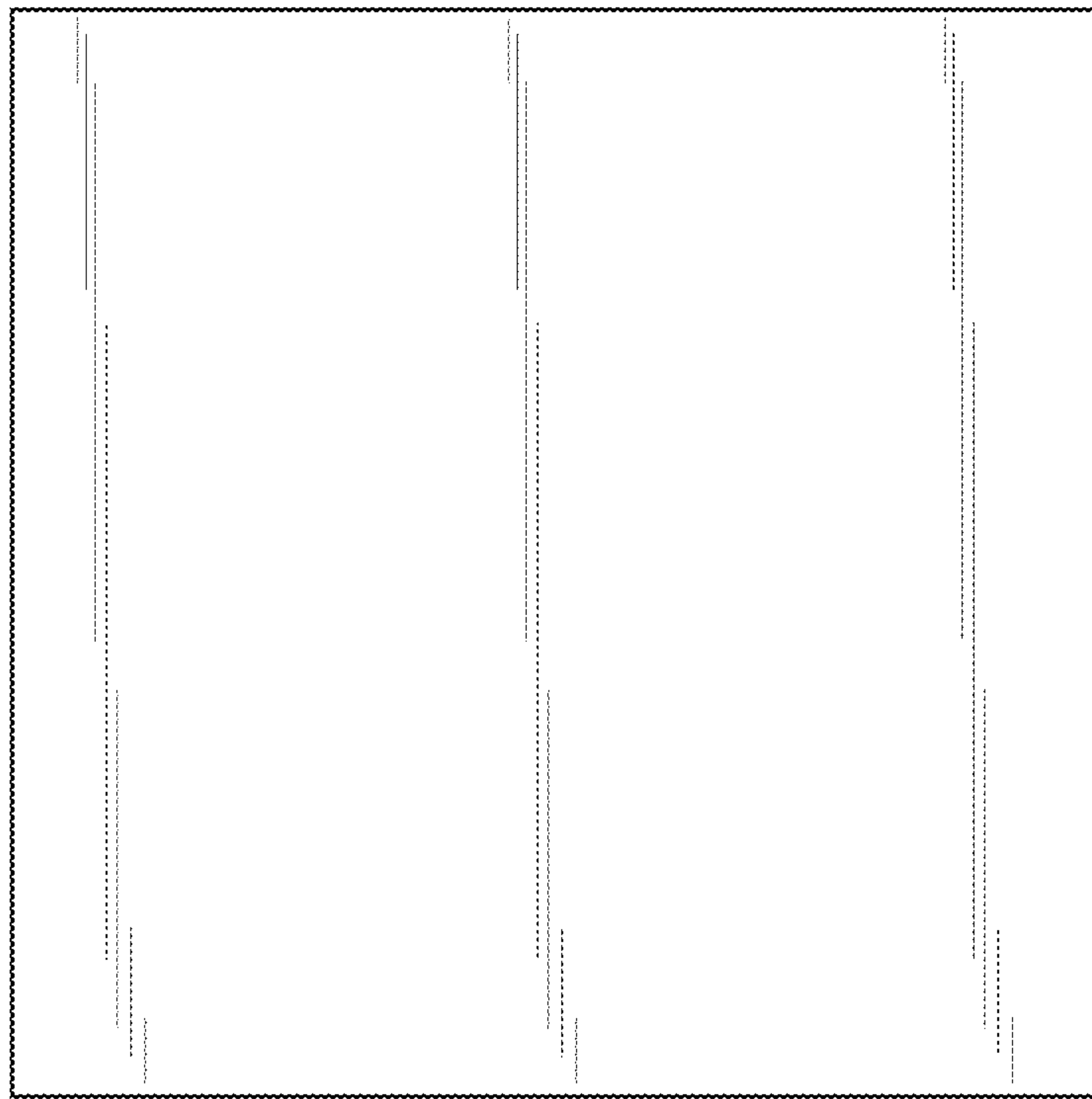


FIG. 7

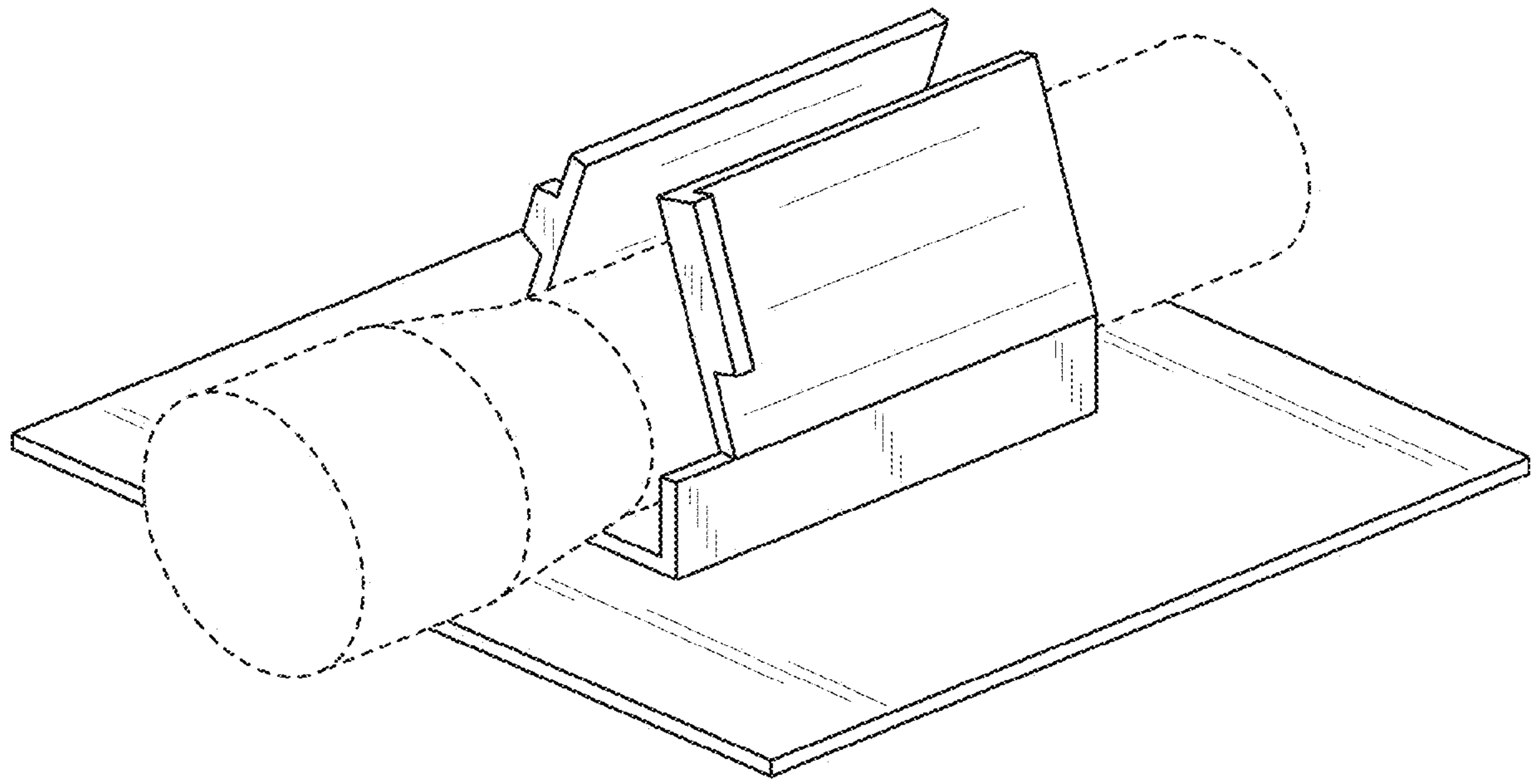


FIG. 8