



US00D921883S

(12) **United States Design Patent**  
**Israel et al.**

(10) **Patent No.:** **US D921,883 S**  
(45) **Date of Patent:** **\*\* Jun. 8, 2021**

- (54) **FAN HEAD**
- (71) Applicant: **Vornado Air, LLC**, Andover, KS (US)
- (72) Inventors: **Gary P. Israel**, Andover, KS (US);  
**Brian M. Cartwright**, Wichita, KS (US);  
**Joshua S. Weed**, Wichita, KS (US)
- (73) Assignee: **Vornado Air, LLC**, Andover, KS (US)
- (\*\*) Term: **15 Years**
- (21) Appl. No.: **29/657,831**

5,829,956 A	11/1998	Chen et al.	
D413,664 S *	9/1999	Keller .....	D23/381
D421,114 S *	2/2000	Lozzio .....	D23/332
D423,663 S	4/2000	Rossmann et al.	
D424,681 S *	5/2000	Lozzio .....	D23/378
D427,674 S	7/2000	Moreno	
D429,808 S	8/2000	Krauss et al.	
6,120,248 A	9/2000	Litvin et al.	
D433,117 S	10/2000	Wolfe	
D433,497 S	11/2000	Hotaling et al.	
D440,648 S	4/2001	Lee et al.	
D442,274 S	5/2001	Lee et al.	
D447,552 S	9/2001	Lee et al.	
D451,190 S	11/2001	Chen et al.	
D451,594 S	12/2001	Chen et al.	
D451,595 S	12/2001	Chen et al.	

(Continued)

- (22) Filed: **Jul. 25, 2018**
- (51) **LOC (13) Cl.** ..... **23-03**
- (52) **U.S. Cl.**  
USPC ..... **D23/412**; D23/382
- (58) **Field of Classification Search**  
USPC ..... D23/370-386, 393, 411-414, 351-354,  
D23/332-337, 366-369, 387-392  
CPC ..... F04D 5/00; F04D 27/00; F04D 29/329  
See application file for complete search history.

**FOREIGN PATENT DOCUMENTS**

WO 2012134983 A2 10/2012  
*Primary Examiner* — Lilyana Bekic  
*Assistant Examiner* — Sharon S Oum

(57) **CLAIM**

The ornamental design for a fan head, as shown and described.

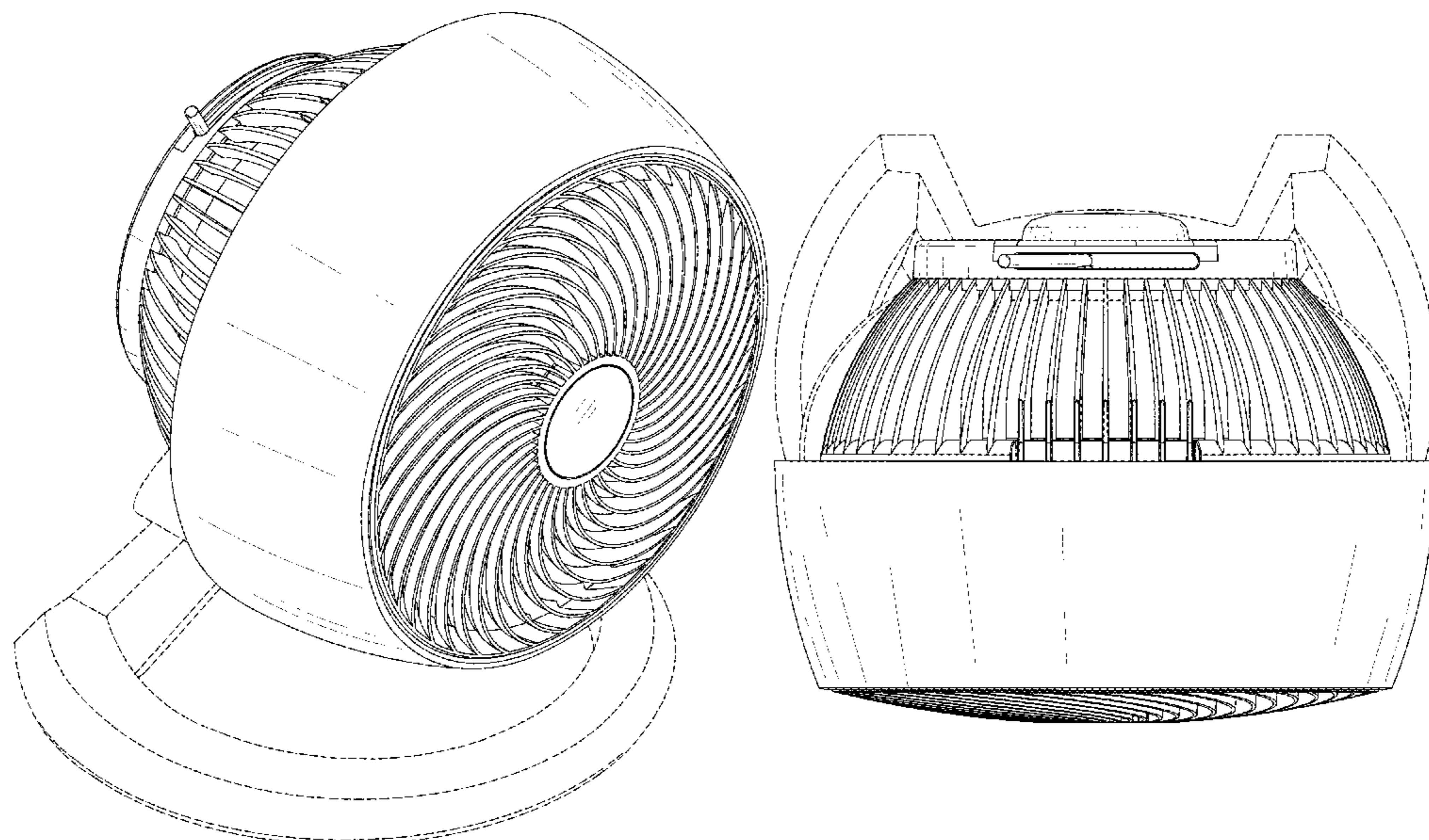
**DESCRIPTION**

FIG. 1 is a right, front, top perspective view of a fan head in accordance with the present invention; FIG. 2 is a front elevation view thereof; FIG. 3 is a top plan view thereof; FIG. 4 is a back elevation view thereof; FIG. 5 is a bottom plan view thereof; and, FIG. 6 is a left elevation view thereof. The right and left sides are mirror images. The broken lines illustrate portions of the fan head and the stand environment. None of the broken lines form part of the claimed design.

**1 Claim, 6 Drawing Sheets**

(56) **References Cited**  
**U.S. PATENT DOCUMENTS**

D31,900 S	11/1899	Brown	
D166,010 S	2/1952	Woodward	
D166,011 S	2/1952	Woodward	
D166,012 S	2/1952	Woodward	
3,858,644 A	1/1975	Beck et al.	
D313,468 S	1/1991	Chaney	
D325,435 S	4/1992	Coup et al.	
D329,089 S	9/1992	Coup et al.	
D337,819 S *	7/1993	Cunning .....	D23/382
D359,116 S *	6/1995	Marvin .....	D23/332
5,431,544 A	7/1995	Hsu et al.	
5,609,473 A	3/1997	Litvin	
D397,192 S *	8/1998	Chiu .....	D23/328
D398,983 S *	9/1998	Keller .....	D23/381
D400,242 S	10/1998	Litvin	



(56)

**References Cited**

U.S. PATENT DOCUMENTS

D457,618	S	*	5/2002	Lee .....	D23/382
D513,437	S		1/2006	Wilhelm	
D537,515	S		2/2007	Ediger et al.	
D537,516	S	*	2/2007	Ediger .....	D23/382
D538,421	S		3/2007	Russak et al.	
D539,402	S		3/2007	Blateri	
D566,830	S		4/2008	Lewis	
D594,548	S		6/2009	Salisbury et al.	
D595,835	S		7/2009	Fu	
D595,836	S		7/2009	Ediger et al.	
D596,284	S		7/2009	Ediger et al.	
D599,463	S		9/2009	Israel et al.	
D605,280	S		12/2009	Chen	
D610,671	S		2/2010	Zhuang et al.	
D617,440	S		6/2010	Ching	
D620,100	S		7/2010	Peterson et al.	
D630,723	S	*	1/2011	Ediger .....	D23/411
D645,952	S		9/2011	Peterson et al.	
D645,953	S		9/2011	Peterson et al.	
D673,256	S	*	12/2012	Shapiro .....	D23/370
D688,366	S		8/2013	Ediger et al.	
D688,367	S		8/2013	Ediger et al.	
D688,368	S	*	8/2013	Ediger .....	D23/382
D691,256	S	*	10/2013	Pan .....	D23/370
D692,996	S	*	11/2013	Alexander .....	D23/370
2019/0048894	A1	*	2/2019	Ediger .....	F04D 19/002

\* cited by examiner

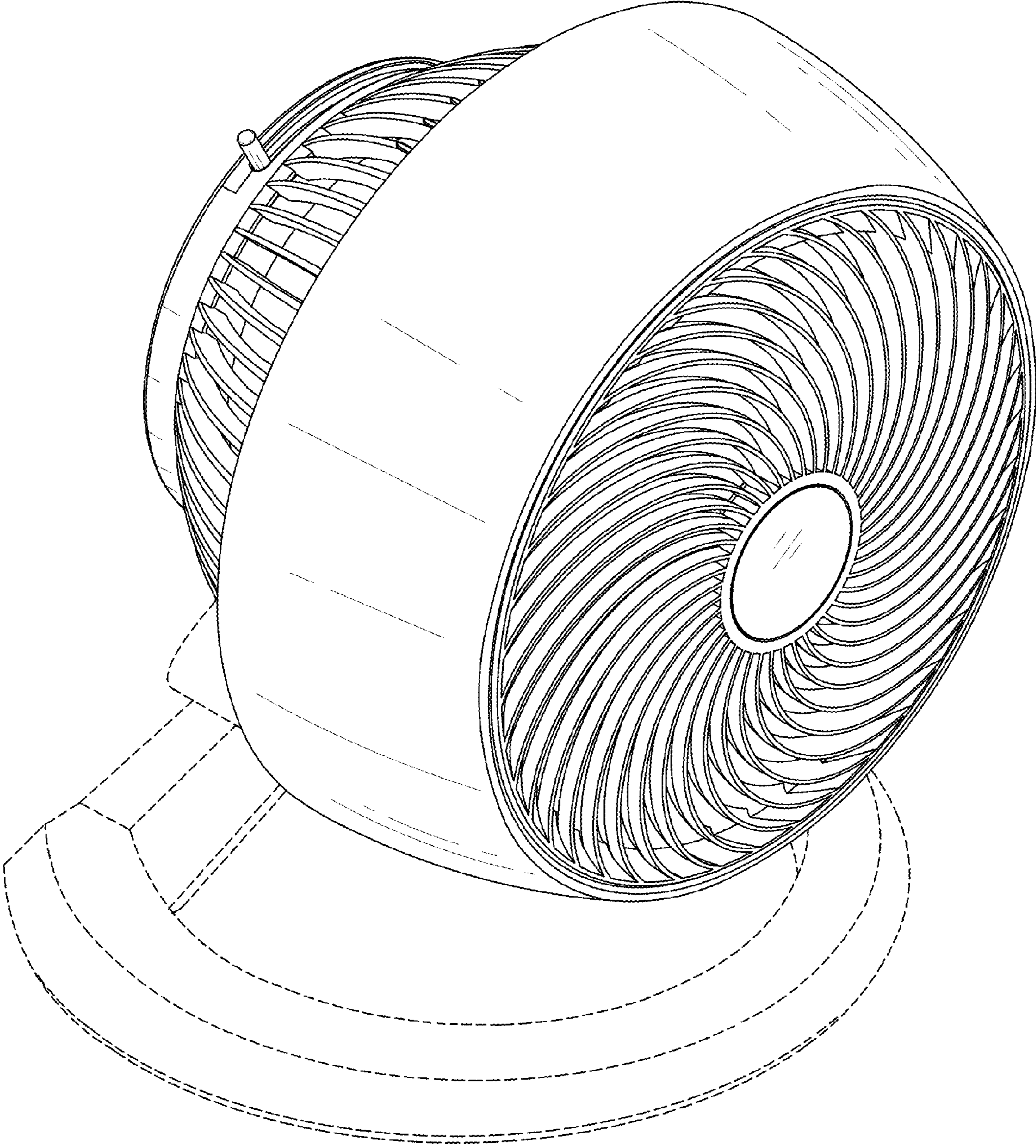


FIG. 1

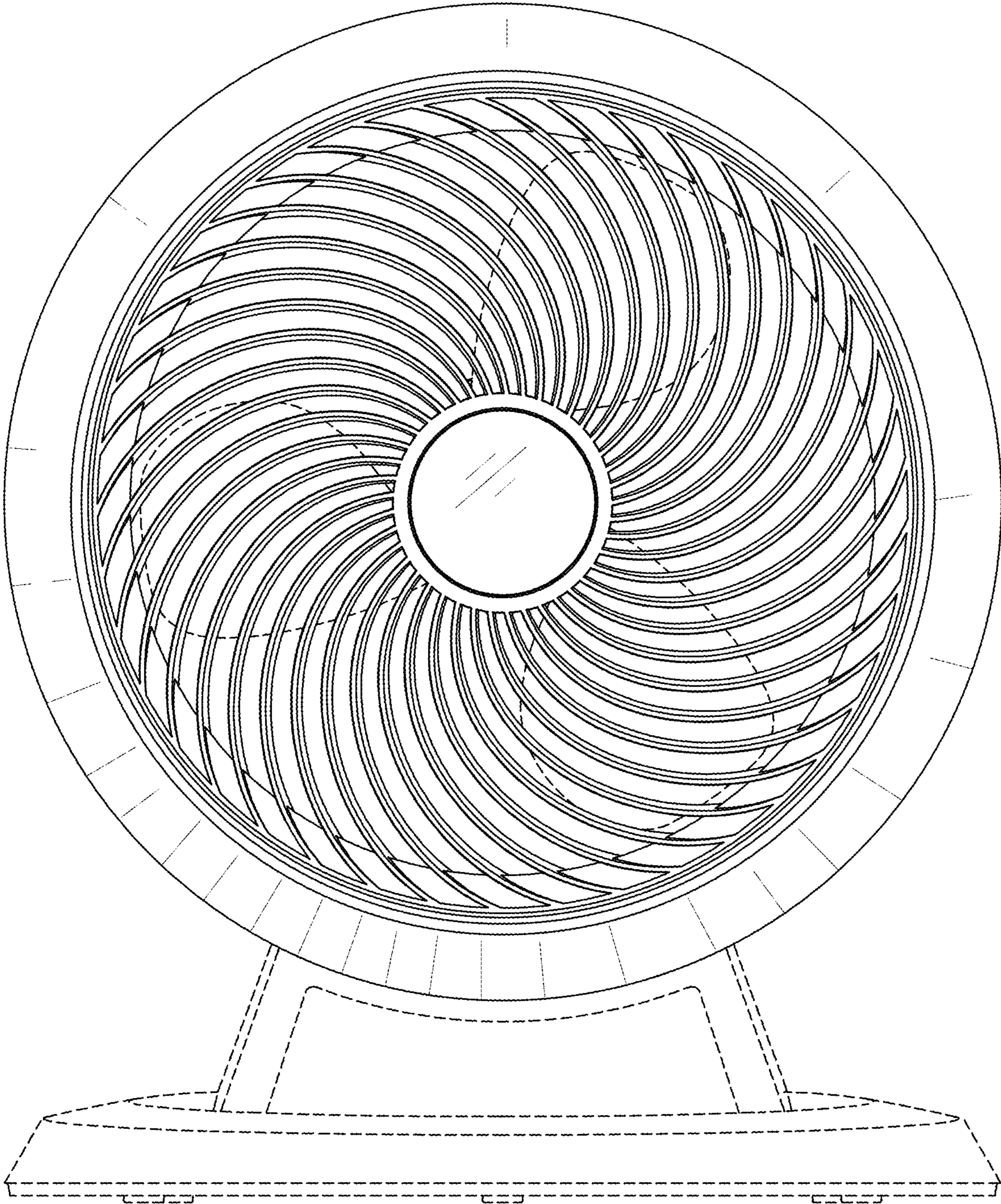


FIG. 2

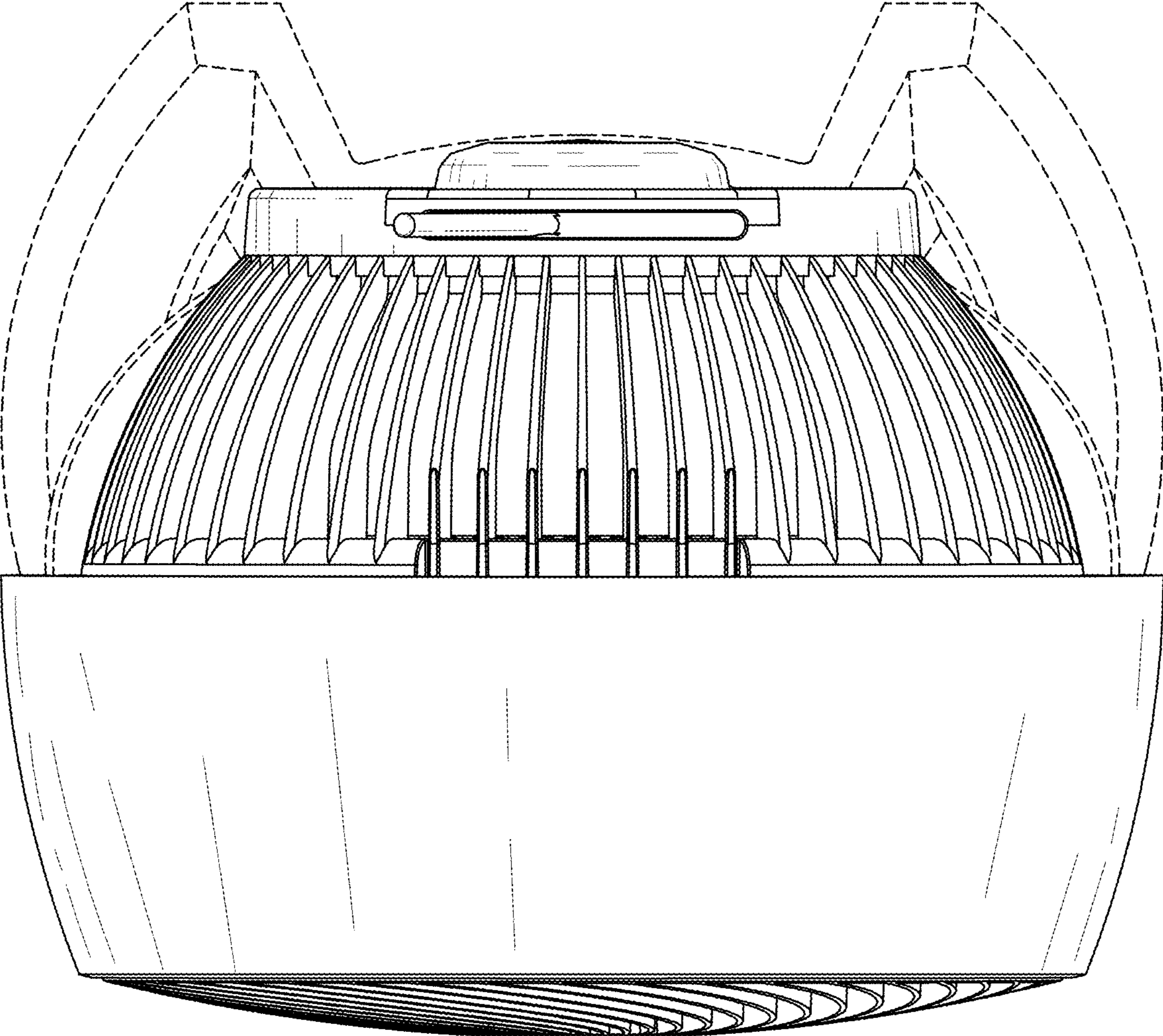


FIG. 3

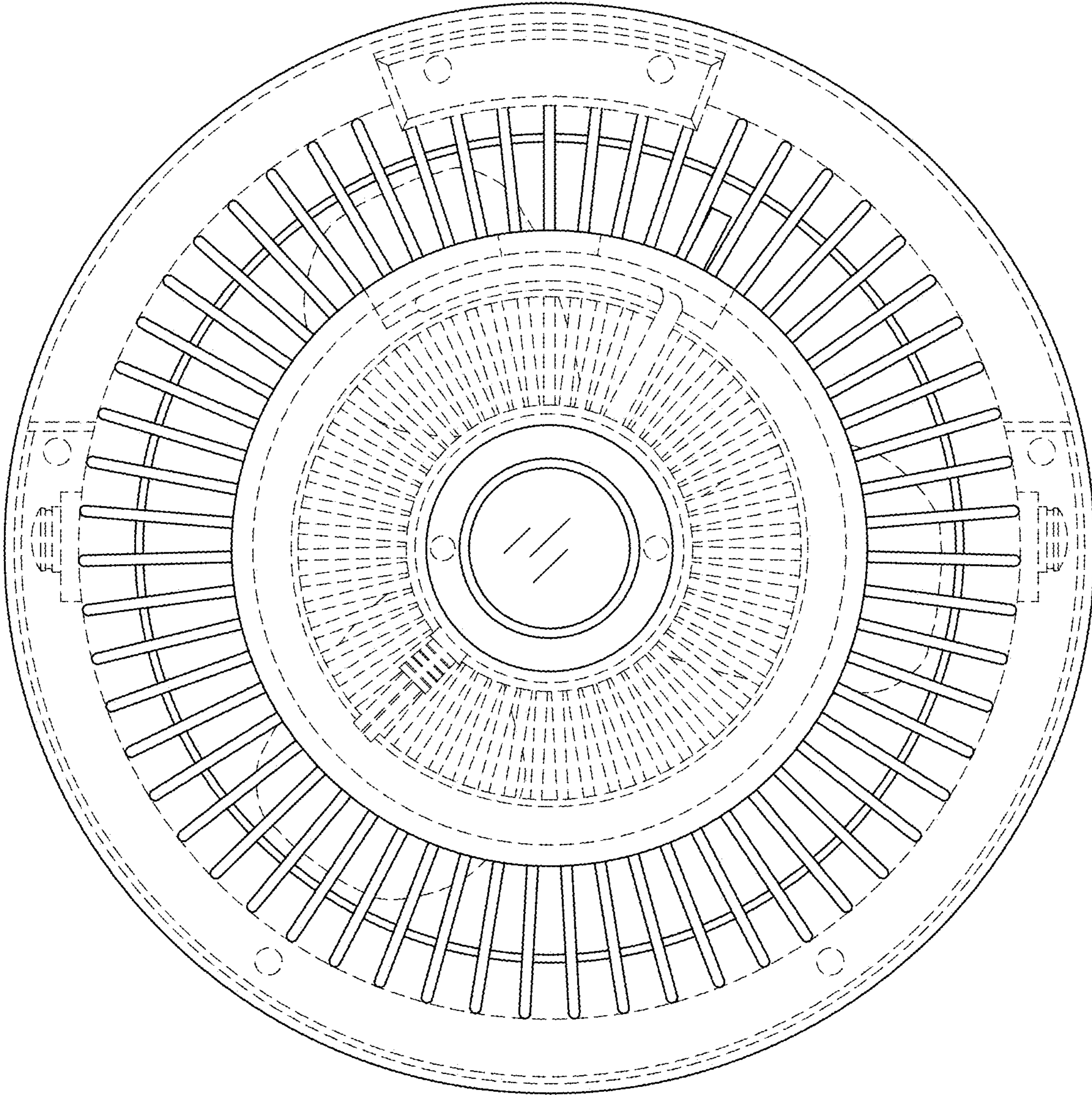


FIG. 4

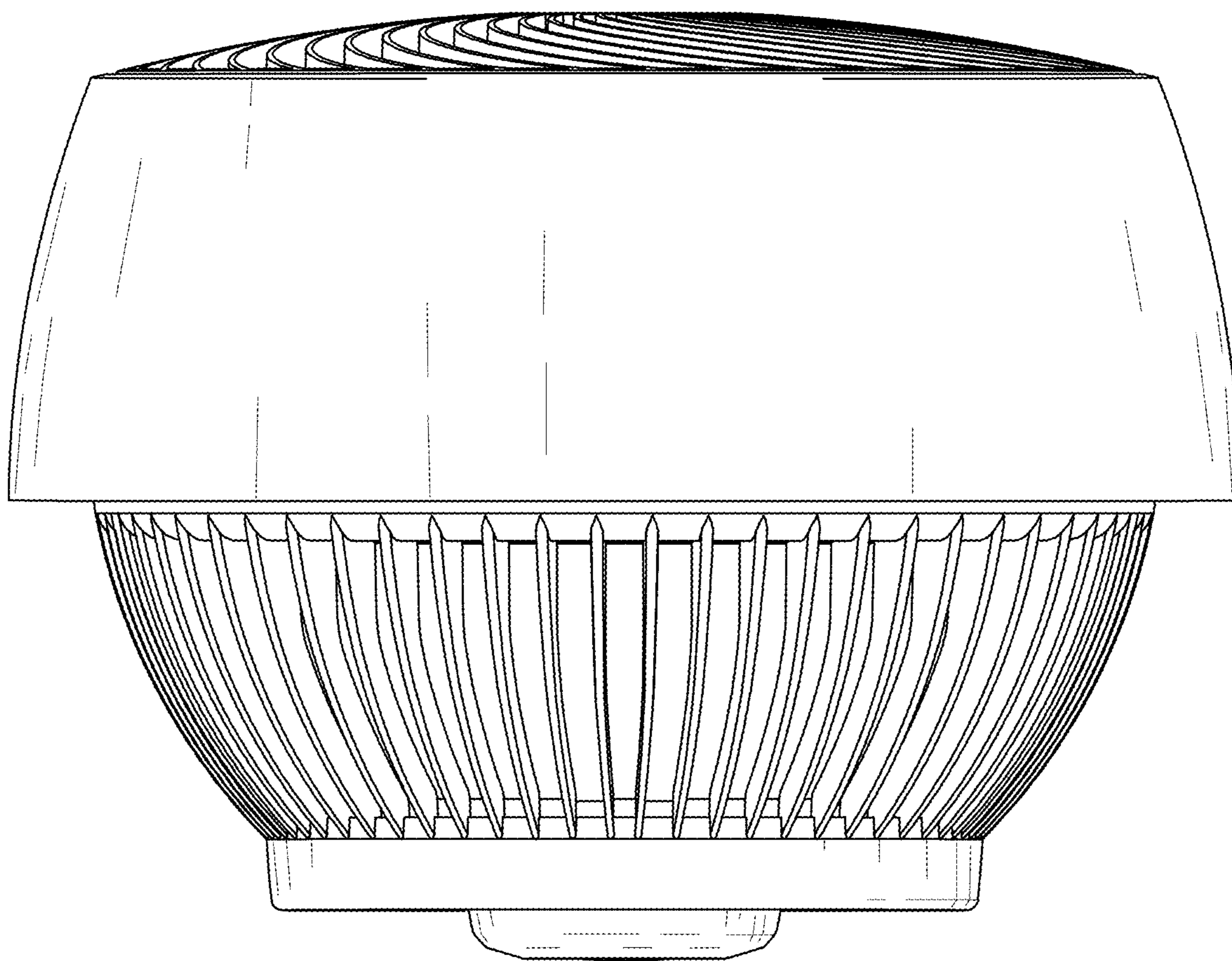


FIG. 5

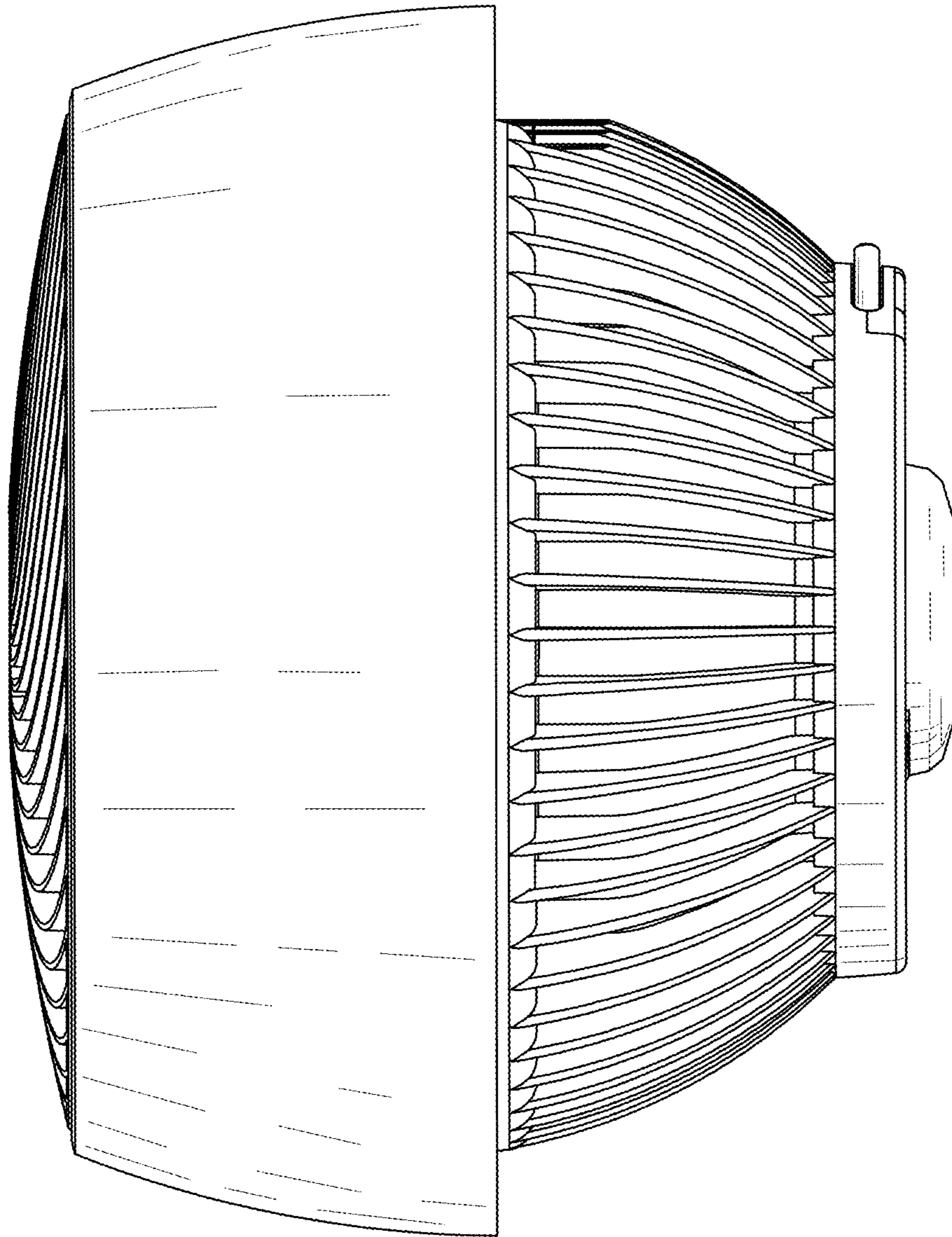


FIG. 6