

US00D921882S

(12) **United States Design Patent**
O’Connell et al.

(10) **Patent No.:** **US D921,882 S**

(45) **Date of Patent:** **** Jun. 8, 2021**

(54) **CEILING FAN MOTOR HOUSING**

(71) Applicant: **HUNTER FAN COMPANY,**
Memphis, TN (US)

(72) Inventors: **Patrick R. O’Connell,** Memphis, TN
(US); **Claire Bernice McRoberts,**
Memphis, TN (US)

(73) Assignee: **Hunter Fan Company,** Memphis, TN
(US)

(**) Term: **15 Years**

(21) Appl. No.: **29/717,280**

(22) Filed: **Dec. 16, 2019**

Related U.S. Application Data

(62) Division of application No. 29/621,624, filed on Oct. 10, 2017, now Pat. No. Des. 875,980, which is a division of application No. 29/582,208, filed on Oct. 26, 2016, now Pat. No. Des. 805,624.

(51) **LOC (13) Cl.** **23-04**

(52) **U.S. Cl.**
USPC **D23/411**

(58) **Field of Classification Search**
USPC D23/370, 377, 379, 385, 411, 413;
D26/59
CPC F04D 25/088; F21V 33/0096
See application file for complete search history.

(56) **References Cited**

U.S. PATENT DOCUMENTS

D54,103 S	11/1919	Kopp
D101,823 S	11/1936	Rolph
D112,511 S	12/1938	Barnes
D174,318 S	3/1955	Ensign
D218,846 S	9/1970	Wolff

D270,563 S	9/1983	Phillips
D280,242 S	8/1985	Burket et al.
D285,720 S	9/1986	Markwardt
D339,204 S	9/1993	Holbrook
D346,209 S	4/1994	Holbrook
D351,020 S	9/1994	Arnold
D369,405 S	4/1996	Holbrook
D383,528 S	9/1997	Collmar
D383,531 S	9/1997	Tsuji
D396,532 S	7/1998	Tsuji
D397,416 S	8/1998	Lee
D399,333 S	10/1998	Greene et al.

(Continued)

OTHER PUBLICATIONS

<http://www.kingoffans.com/#/products/ceilingFans>, Item Specification for King of Fans Covington, accessed on Oct. 25, 2016.

(Continued)

Primary Examiner — Janice Hallmark

(74) *Attorney, Agent, or Firm* — McGarry Bair PC

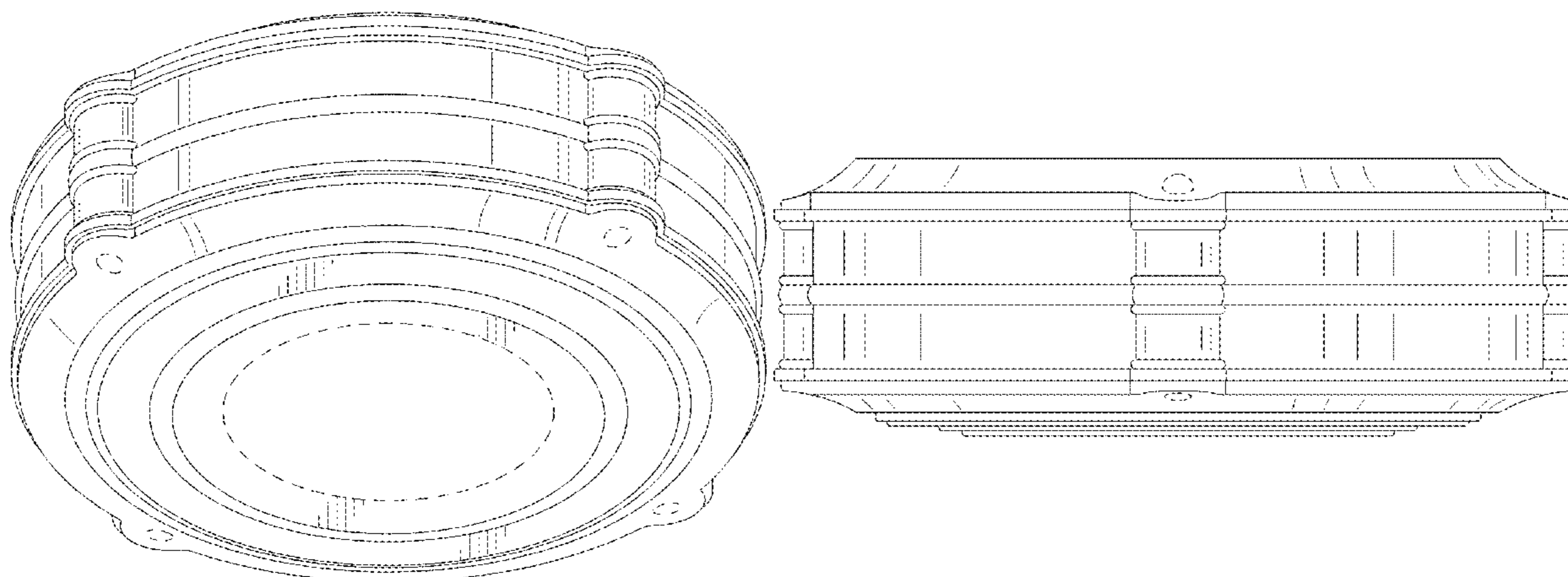
(57) **CLAIM**

The ornamental design for a ceiling fan motor housing, as shown and described.

DESCRIPTION

FIG. 1 is a top perspective view of a ceiling fan motor housing;
FIG. 2 is a bottom perspective view of the motor housing of FIG. 1;
FIG. 3 is a top view of the motor housing of FIG. 1;
FIG. 4 is a bottom view of the motor housing of FIG. 1; and,
FIG. 5 is a front side view of the motor housing of FIG. 1, with rear, right, and left side views being identical thereto. Portions of the ceiling fan motor housing and the ceiling fan environment shown in broken lines form no part of the claimed design.

1 Claim, 5 Drawing Sheets



(56)

References Cited

U.S. PATENT DOCUMENTS

D428,982 S	8/2000	Oldenburg	
D435,901 S	1/2001	Tsuji	
D440,649 S	4/2001	Tsuji	
6,367,942 B1	4/2002	Bauer	
D462,756 S	9/2002	Liu	
D479,872 S	9/2003	Young	
D480,134 S	9/2003	Wilson	
D481,117 S	10/2003	Tsuji	
D482,436 S	11/2003	Young	
D489,126 S	4/2004	Young	
D503,819 S	4/2005	Pickett	
D506,822 S	6/2005	Young	
D507,830 S *	7/2005	Pan	D23/411
D513,199 S	12/2005	Costa et al.	
D517,231 S	3/2006	Pickett	
D520,633 S	5/2006	Tai	
D525,696 S	7/2006	Ertze	
D529,163 S	9/2006	Young	
D529,602 S	10/2006	Glasbrenner	
D531,338 S	10/2006	Chen	
D533,955 S	12/2006	Pan	
D541,930 S	5/2007	Pickett	
D547,476 S	7/2007	Ertze	
D550,832 S	9/2007	Ertze	
D552,228 S	10/2007	Ertze	
D553,239 S	10/2007	Wang	
D550,890 S	11/2007	Wang	
D555,270 S	11/2007	Ertze	
D555,779 S	11/2007	Bucher	
D567,361 S	4/2008	Curtin	
D567,421 S	4/2008	Pan	
D581,040 S	11/2008	Pickett	
D581,509 S	11/2008	Marshall	
D583,923 S	12/2008	Bucher et al.	
D595,544 S	7/2009	Thun	
D599,468 S	9/2009	Yang	
D627,454 S	11/2010	Pan	
D627,456 S	11/2010	Glasbrenner	
D633,611 S	3/2011	Pan	
D669,210 S	10/2012	Guercio et al.	
D698,991 S	2/2014	Tregilgas et al.	
D700,984 S	3/2014	Yang	
D706,482 S	6/2014	Pan	
D708,314 S	7/2014	Pan	
D710,490 S *	8/2014	Shurtleff	D23/411
D745,959 S *	12/2015	Ertze	D23/411
D799,682 S *	10/2017	Wang	D23/411
D805,624 S *	12/2017	O'Connell	D23/377
D805,626 S	12/2017	Haggar	
D821,309 S	6/2018	Barnard	
D825,051 S *	8/2018	Guthrie	D23/411
D878,652 S *	3/2020	McRoberts	D26/59
D888,224 S *	6/2020	Guthrie	D23/411
D899,581 S *	10/2020	Holmes	D23/411

OTHER PUBLICATIONS

<http://www.kingoffans.com/#!/products/ceilingFans>, Item Specification for King of Fans Carlisle, accessed on Oct. 25, 2016.

<http://ceilingfans.emerson.com/shop/en/fan/fans-s-emerson-fans/fans-s-indoor-outdoor/42-summer-night-fan-p-cf742pf>, Item Specification for Emerson 42in Summer Night Ceiling Fan Model CF742PFORB, accessed on Oct. 25, 2016.

<http://kingoffans.com/190/products/ceilingFans>, Item Specification for King of Fans Riverwalk, accessed on Oct. 25, 2016.

<http://ceilingfans.emerson.com/shop/en/fan/fans-s-emerson-fans/fans-s-pro-series/42-pro-series-ii-fan-p-cf710>, Item Specification for Emerson 42in Pro Series II CF710BS Ceiling Fan, accessed on Oct. 25, 2016.

<http://www.fanimation.com/products/index.php/fans/aire-decor-bp215.html>, Item Specification for Fanimation Aire Decor BP215 Ceiling Fan, accessed on Oct. 25, 2016.

<http://www.kichler.com/products/product/52-inch-kichler-basics-premier-ceiling-fan-ni7-402.aspx>, Item Specification for Kichler Basics 52in Premier Collection Ceiling Fan Model 402N17, accessed on Oct. 25, 2016.

<http://www.montecarlofans.com/32819/52-HomeBuilder-III---Bronze-BF3-BZ.html>, Item Specification for Monte Carlo 52in Homebuilder III Collection, Bronze Model BF3-BZ, accessed on Oct. 25, 2016.

<http://www.fanimation.com/products/index.php/fans/aire-decor-bp230.html>, Item Specification for Fanimation Aire Decor BP230 Ceiling Fan, accessed on Oct. 25, 2016.

<http://www.homedepot.com/p/Hunter-Orchard-Park-52-in-Indoor-Outdoor-Distressed-White-Ceiling-Fan-54068/206279065>, Item Specification for 52in Hunter Fan Orchard Park Model 54068, accessed on Oct. 25, 2016.

<http://www.craftmade.com/Ellington-Fans-ECK756ABZ-Aged-Bronze-Brushed-Ceiling-Fan-Light-Kit.HTM>, Item Specification for Craftmade ECK756ABZ Ellington Ceiling Fan, accessed on Oct. 25, 2016.

<http://www.craftmade.com/Craftmade-LW52W-White-Outdoor-Ceiling-Fan.HTM>, Item Specification for Craftmade LW52W Leeward Ceiling Fan, accessed on Oct. 25, 2016.

<http://www.quoruminternational.com/index.cfm/app/productDetail?product=43306-6>, Item Specification for Quorum International 43306-6 Ceiling Fan, accessed on Oct. 25, 2016.

<http://www.quoruminternational.com/index.cfm/app/productDetail?product=79525-6522>, Item Specification for Quorum International 79525-6522 Ceiling Fan, accessed on Oct. 25, 2016.

<http://www.kichler.com/products/product/52-inch-sutter-place-premier-fan-obb-339400obb.aspx>, Item Specification for Kichler Sutter Place Premier Collection 52in Model 3394000BB, accessed on Oct. 25, 2016.

<http://www.kichler.com/products/product/52-inch-lyndon-fan-oz-300120oz.aspx>, Item Specification for Kichler 52in Lydon Fan Model 3001200Z, accessed on Oct. 25, 2016.

<http://www.craftmade.com/Craftmade-B556C-T5-Wood-Ceiling-Fan-Blades.HTM>, Item Specification for Craftmade B556C-T5 Wood Ceiling Fan Blade, accessed on Oct. 25, 2016.

<http://www.fanimation.com/products/index.php/blades/21-brewmaster-reversible-wood-blade-set.html>, Item Specification for Fanimation 21in Brewmaster Reversible Wood Blade, accessed on Oct. 25, 2016.

* cited by examiner

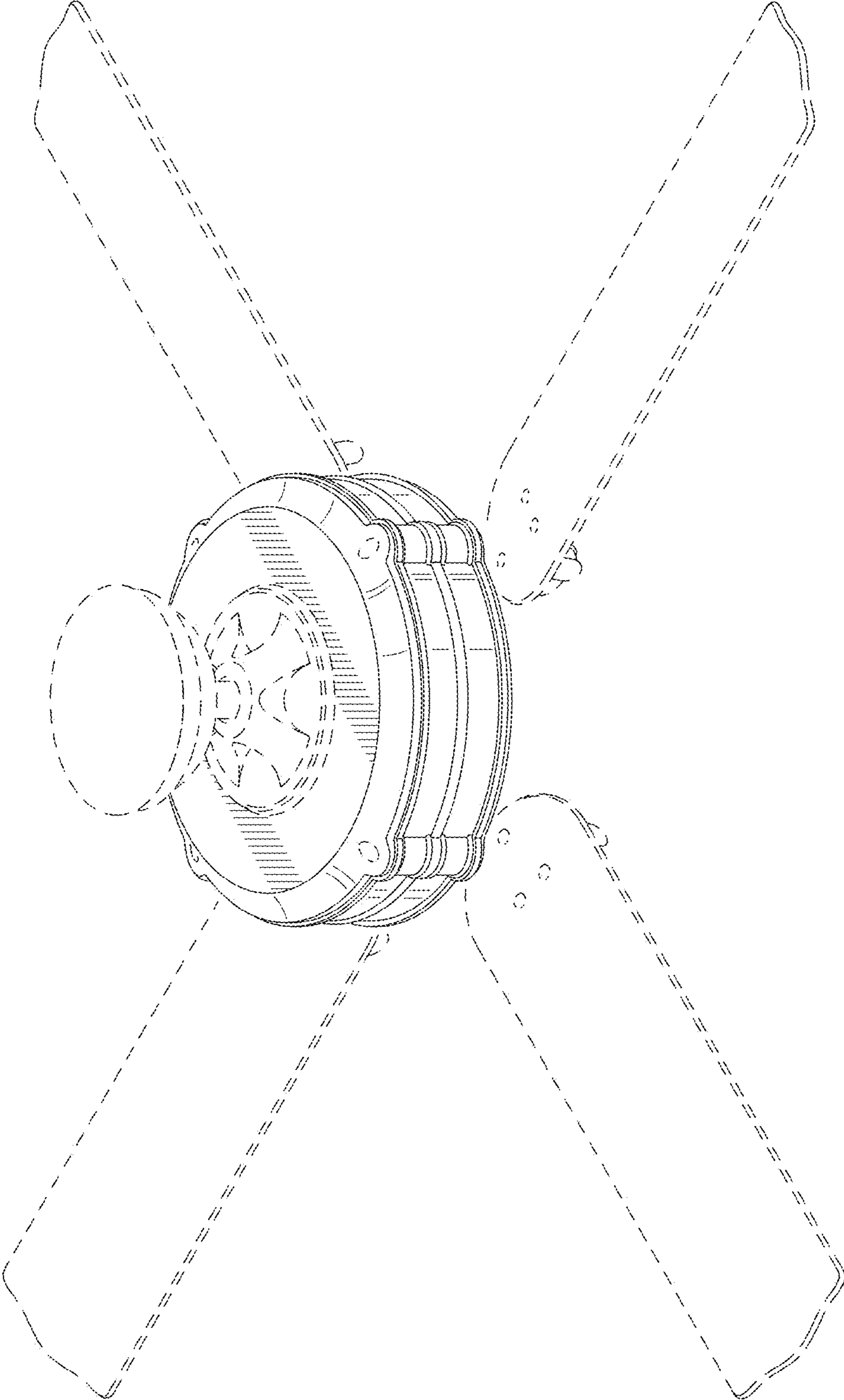


FIG.1

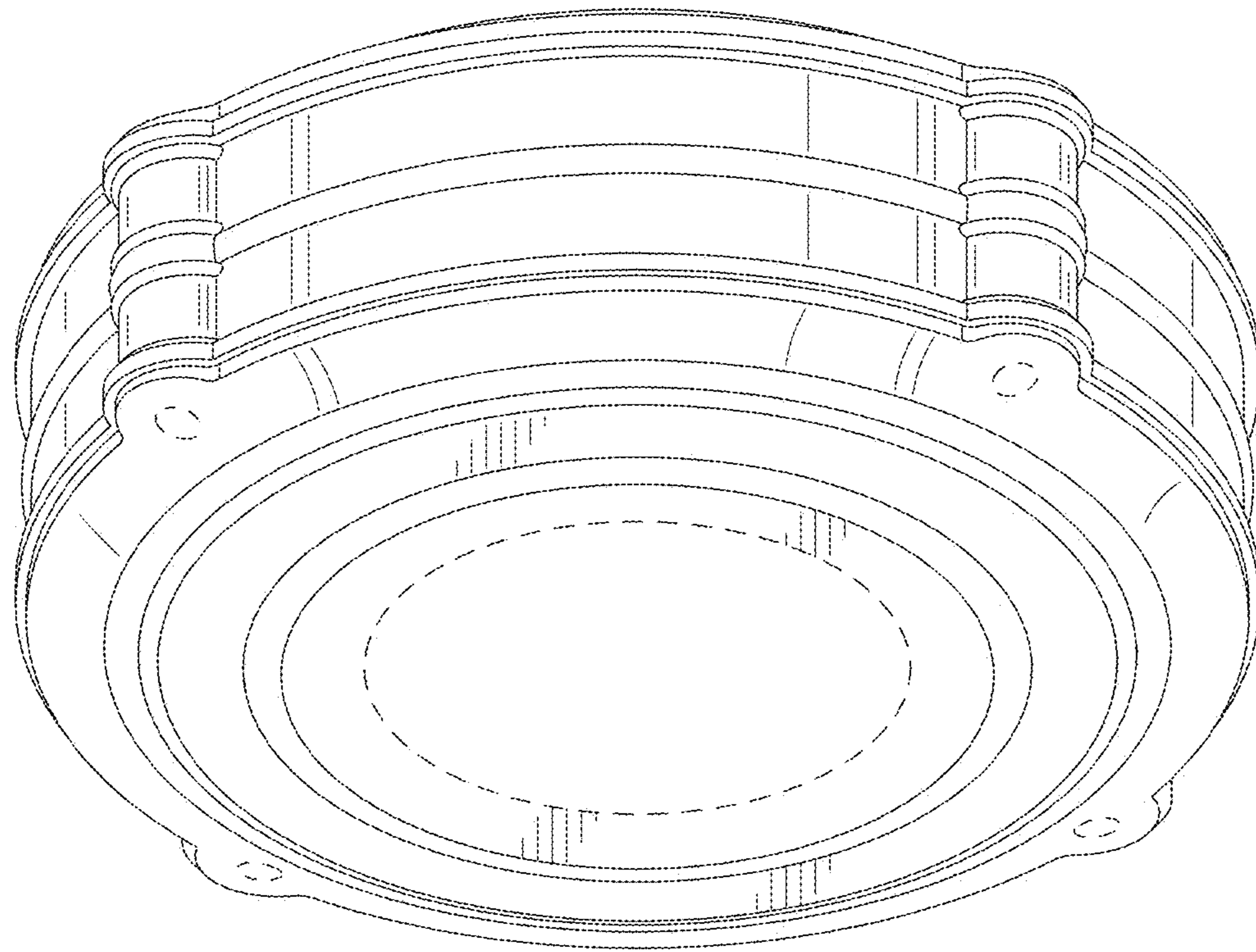


FIG.2

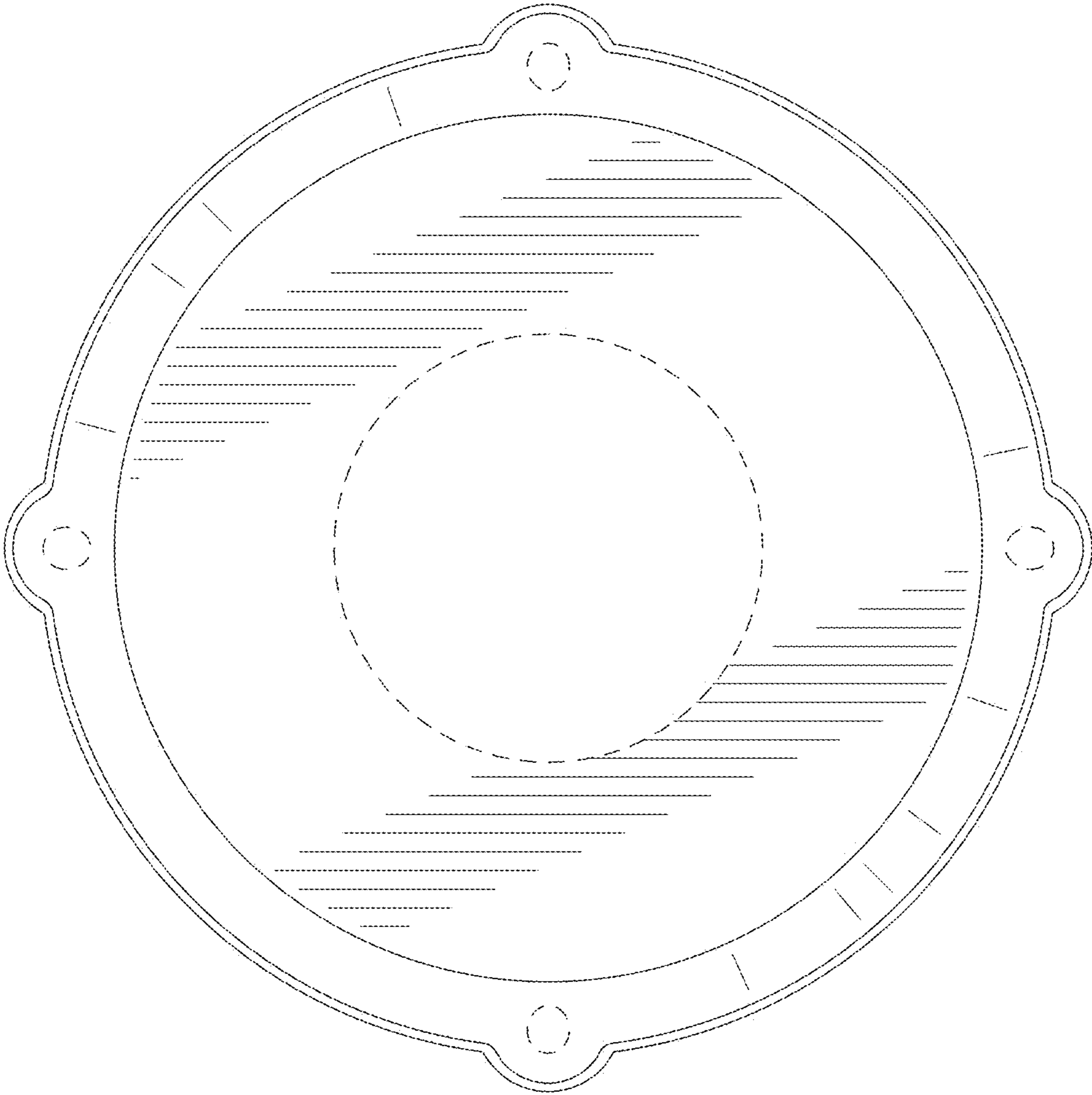


FIG.3

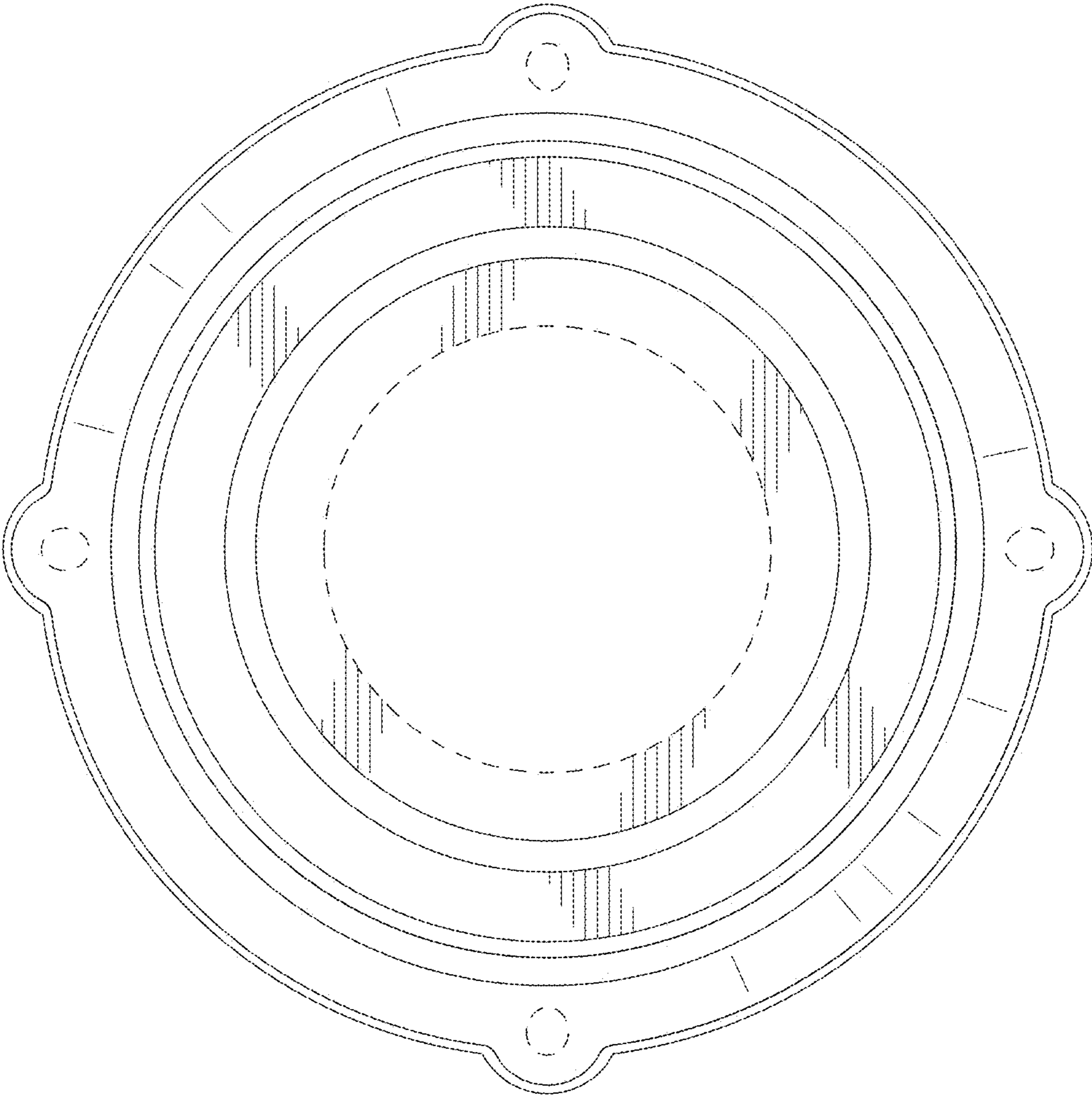


FIG.4

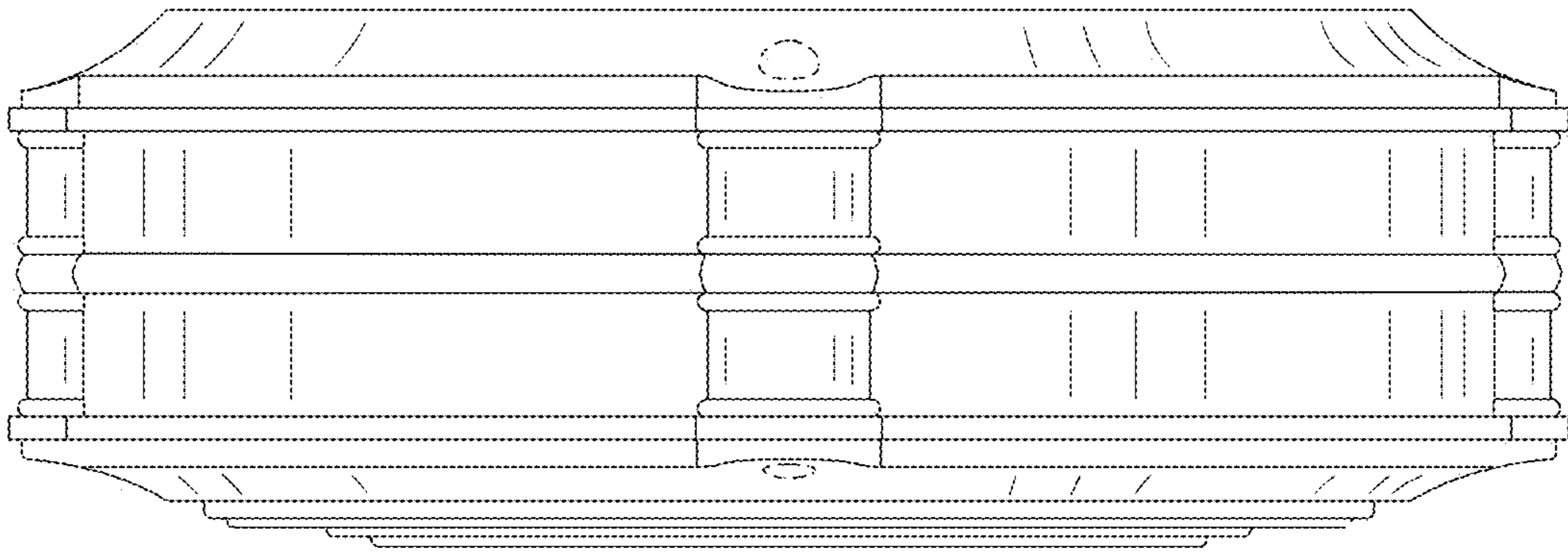


FIG. 5