



US00D921881S

(12) **United States Design Patent**
Haggar

(10) **Patent No.:** **US D921,881 S**

(45) **Date of Patent:** **** Jun. 8, 2021**

(54) **CEILING FAN MOTOR HOUSING AND LIGHT KIT COMBINATION**

(71) Applicant: **HUNTER FAN COMPANY,**
Memphis, TN (US)

(72) Inventor: **Alexander Jonathan Haggar,**
Memphis, TN (US)

(73) Assignee: **Hunter Fan Company,** Memphis, TN
(US)

(**) Term: **15 Years**

(21) Appl. No.: **29/713,245**

(22) Filed: **Nov. 14, 2019**

Related U.S. Application Data

(63) Continuation of application No. 29/593,483, filed on
Feb. 9, 2017, now Pat. No. Des. 875,914.

(51) **LOC (13) Cl.** **23-04**

(52) **U.S. Cl.**
USPC **D23/411; D26/59**

(58) **Field of Classification Search**
USPC D23/370, 377, 379, 385, 411; D26/59
CPC F04D 25/088; F21V 33/0096
See application file for complete search history.

(56) **References Cited**

U.S. PATENT DOCUMENTS

D297,974 S	10/1988	Sonneman	
D298,052 S	10/1988	Sonneman	
D328,491 S	8/1992	Markwardt	
D328,785 S	8/1992	Markwardt	
D333,867 S	3/1993	Markwardt	
D345,790 S	4/1994	Caldwell	
D510,425 S	10/2005	Young	
D547,436 S	7/2007	Shurtleff	
D607,600 S *	1/2010	Keith	D26/85

D627,874 S	11/2010	Pan	
D628,688 S	12/2010	Pan	
D632,381 S	2/2011	Davenport et al.	
D638,926 S *	5/2011	Frampton	D23/411
D707,336 S	6/2014	Pan	
D744,634 S	12/2015	Wang	
D745,956 S *	12/2015	Ertze	D23/385
D750,221 S	2/2016	Schulzman	
D760,368 S	6/2016	Chen	
D771,794 S	11/2016	Wang	
D782,644 S	3/2017	Wang	
D795,412 S	8/2017	Schulzman	
D795,413 S	8/2017	Wang	

(Continued)

OTHER PUBLICATIONS

<http://www.montecarlofans.com/50453/56-Vision-Max---Rubberized-White-3VNMR56RZWD.html>, Item Specification for the Monte Carlo Vision Max Collection, Model No. 3VNMR56RZWD, accessed Feb. 7, 2017.

(Continued)

Primary Examiner — Janice Hallmark

(74) *Attorney, Agent, or Firm* — McGarry Bair PC

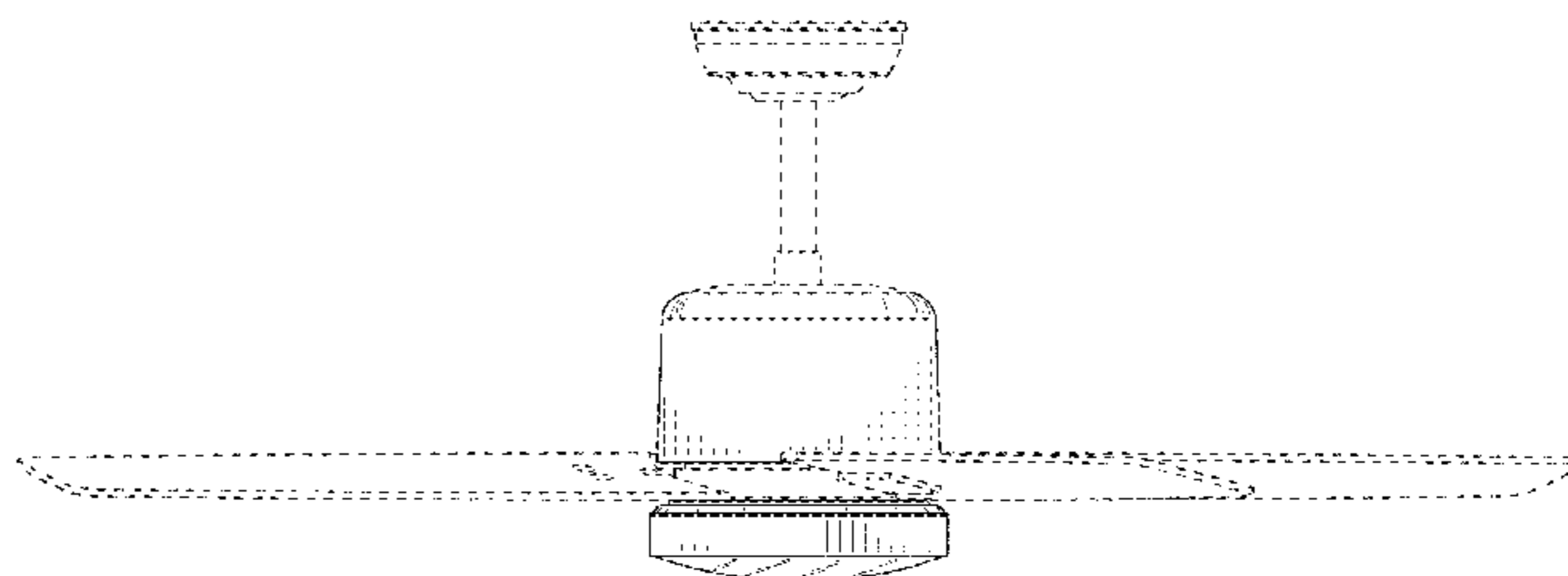
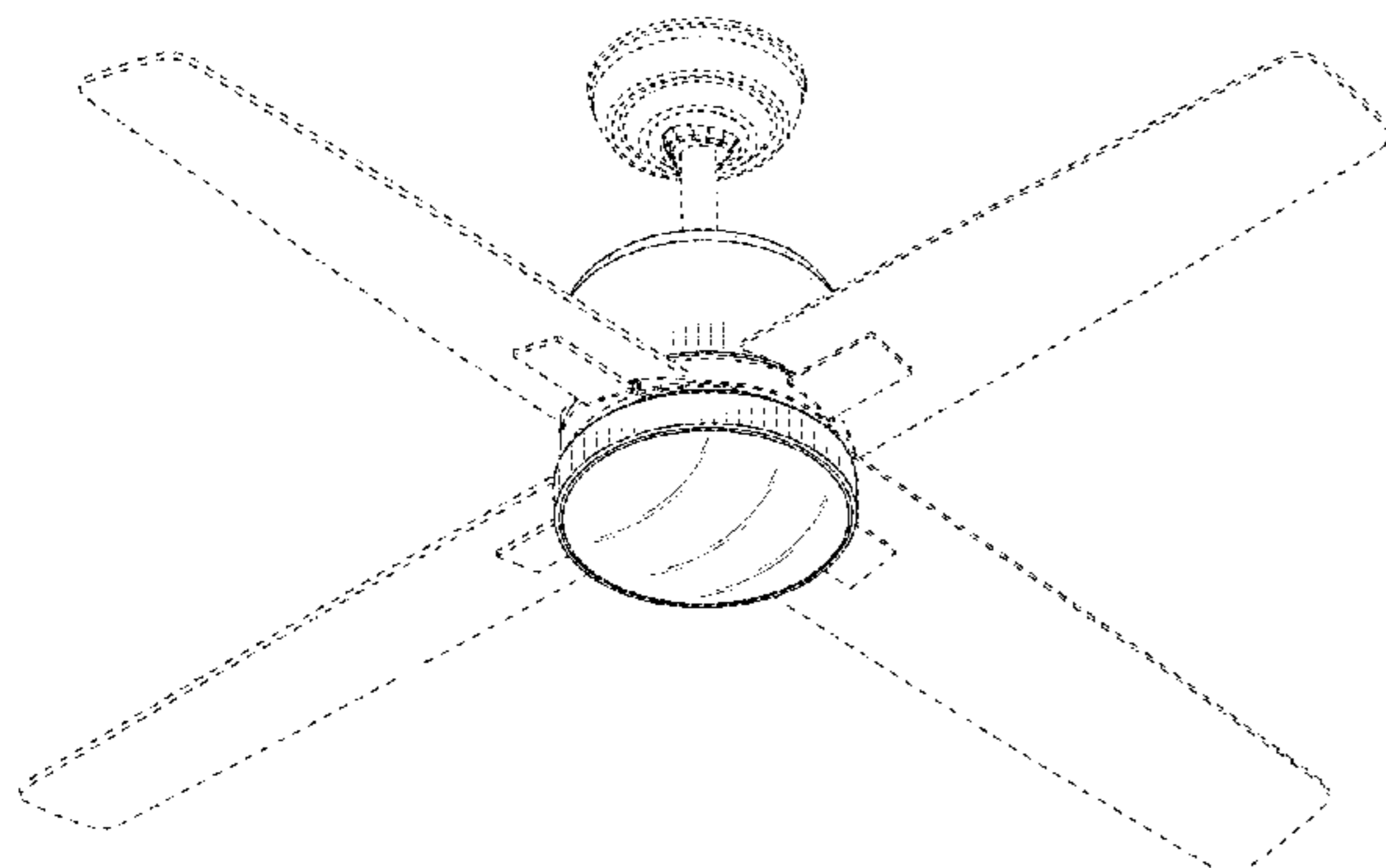
(57) **CLAIM**

The ornamental design for a ceiling fan motor housing and light kit combination, as shown and described.

DESCRIPTION

FIG. 1 is a top perspective view of a ceiling fan motor housing and light kit combination showing my new design; FIG. 2 is a bottom perspective view thereof; FIG. 3 is a top view thereof; FIG. 4 is a bottom view thereof; and, FIG. 5 is a side view thereof. Portions of the drawings shown in broken lines illustrate environmental subject matter and form no part of the claimed design.

1 Claim, 5 Drawing Sheets



(56)

References Cited

U.S. PATENT DOCUMENTS

D796,659 S 9/2017 Schulzman
 D799,661 S 10/2017 Holmes
 D799,665 S * 10/2017 Wang D23/377
 D800,291 S * 10/2017 Wang D23/377
 D800,891 S 10/2017 McRoberts et al.
 D802,114 S 11/2017 Busta
 D804,010 S 11/2017 Guthrie
 D804,629 S 12/2017 McRoberts et al.
 D804,630 S 12/2017 Holmes et al.
 D805,175 S 12/2017 Hagggar
 D809,118 S 1/2018 Guthrie et al.
 D810,915 S 2/2018 Guthrie et al.
 D810,920 S 2/2018 Hagggar
 D831,187 S 10/2018 Schulzman
 D834,696 S * 11/2018 Schulzman D23/377
 D851,235 S 6/2019 Hidalgo
 D855,788 S 8/2019 Hagggar
 D855,789 S 8/2019 Hagggar
 D857,874 S 8/2019 Hidalgo
 D858,735 S 9/2019 Wang
 D873,987 S * 1/2020 Biancuzzo D23/377
 D875,914 S * 2/2020 Hagggar D23/377
 2005/0249598 A1 11/2005 Young
 2018/0128276 A1 * 5/2018 Li F04D 25/06

OTHER PUBLICATIONS

<http://www.craftmade.com/Craftmade-MN44SS4-Stainless-Steel-Ceiling-Fan.HTM>, Item Specification for the Craftmade Lighting Montreal, Model No. MN44SS4, accessed Feb. 7, 2017.
<http://www.kichler.com/products/product/48-inch-celino-contemporary-fan-mch-300017mck.aspx>, Item Specification for the Kichler Celino Collection, Model No. 300017MCH, accessed Feb. 7, 2017.
<http://www.kichler.com/products/product/52-arkwet-patio-ceiling-fan-wcp-339529wcp.aspx>, Item Specification for the Kichler Arkwet Patio Collection, Model No. 339529WCP, accessed Feb. 7, 2017.
<http://ceilingfans.emerson.com/shop/en/fan/fans-s-emerson-fans/emerson-fans-browse-all/highrise-fan-p-cf430>, Item Specification for the Emerson Highrise, Model No. CF430BS, accessed Feb. 7, 2017.
<http://www.montecarlofans.com/33062/52-Clarity---Rubberized-White-3CLYR52RZWD.html>, Item Specification for the Monte

Carlo Clarity Collection, Model No. 3CLYR52RZWD, accessed Feb. 7, 2017.
<http://www.kichler.com/products/product/60-bowen-ceiling-fan-mwh-330243mwh.aspx>, Item Specification for the Kichler Bowen Ceiling Fan Collection, Model No. 330243MWH, accessed Feb. 7, 2017.
<http://www.kichler.com/products/product/52-inch-lucian-ceiling-fan-ni-300176ni.aspx>, Item Specification for the Kichler Lucien Collection, Model No. 330000NI, accessed Feb. 7, 2017.
<http://www.menards.com/main/p-1444424537879-G-7487.htm?tid=-5244648551955826367>, Item Specification for the Turn of the Century Montego Bay, Model No. CP152115, accessed Feb. 7, 2017.
<http://www.fanimation.com/products/xeno/>, Item Specification for the Fanimation Xeno, Model No. FP6729, accessed Feb. 8, 2017.
<https://www.amazon.com/Kichler-Lighting-300175WH-Integrated-Downlight/dp/B00HHERJ10>, Item Specification for the Kichler Vassar, Model No. 300175WH, accessed Feb. 8, 2017.
<https://ceilingfans.emerson.com/shop/en/fan/54-volta-Geiling-fan-fan-p-cf590>, Item Specification for the Emerson Volta, Model No. CF950BQ, accessed Feb. 8, 2017.
<http://www.menards.com/main/p-1444438448164-c-7488.htm?tid=-5244648551955826367>, Item Specification for the Turn of the Century Lafitte, Model No. fn1305gs, accessed Feb. 8, 2017.
<http://www.kichler.com/products/product/56-ellys-ceiling-fan-ni-300239ni.aspx>, Item Specification for the Kichler Ellys Collection, Model No. 300239NI, accessed Feb. 8, 2017.
<http://www.hunterfan.com/Ceiling-Fans?PageNumber=14>, Item Specification for the Hunter Fan Windemere, Model No. 59039, accessed Feb. 8, 2017.
<http://www.craftmade.com/Ellington-Fans-BEL52BNK3CRW-Nickel-Ceiling-Fan.HTM>, Item Specification for the Craftmade Beltre, Model No. BEL52BNK3CRW, accessed Feb. 8, 2017.
https://www.cudakitchen.com/42-inch-innes-ii-fan-300130OBB?gclid=CjwKEAiAoOvEBRDD25uyu9Lg9ycSJAD0GnBysy76Tilm6Db3jKmCBKVNokXc7gBCJ_nN9S4K_pROSRoCzLLw_wcB, Item Specification for Kichler Innes, Model No. 300130OBB, accessed Feb. 8, 2017.
<http://ceilingfans.emerson.com/shop/en/fan/midway-eco-fan-p-cf955>, Item Specification for the Emerson Midway Eco, Model No. CF955BS, accessed Feb. 8, 2017.
<http://www.kingoffans.com/photos/manuals/176.pdf>, Item Specification for the King of Fans Windward, Model No. 54404, accessed Feb. 8, 2017.

* cited by examiner

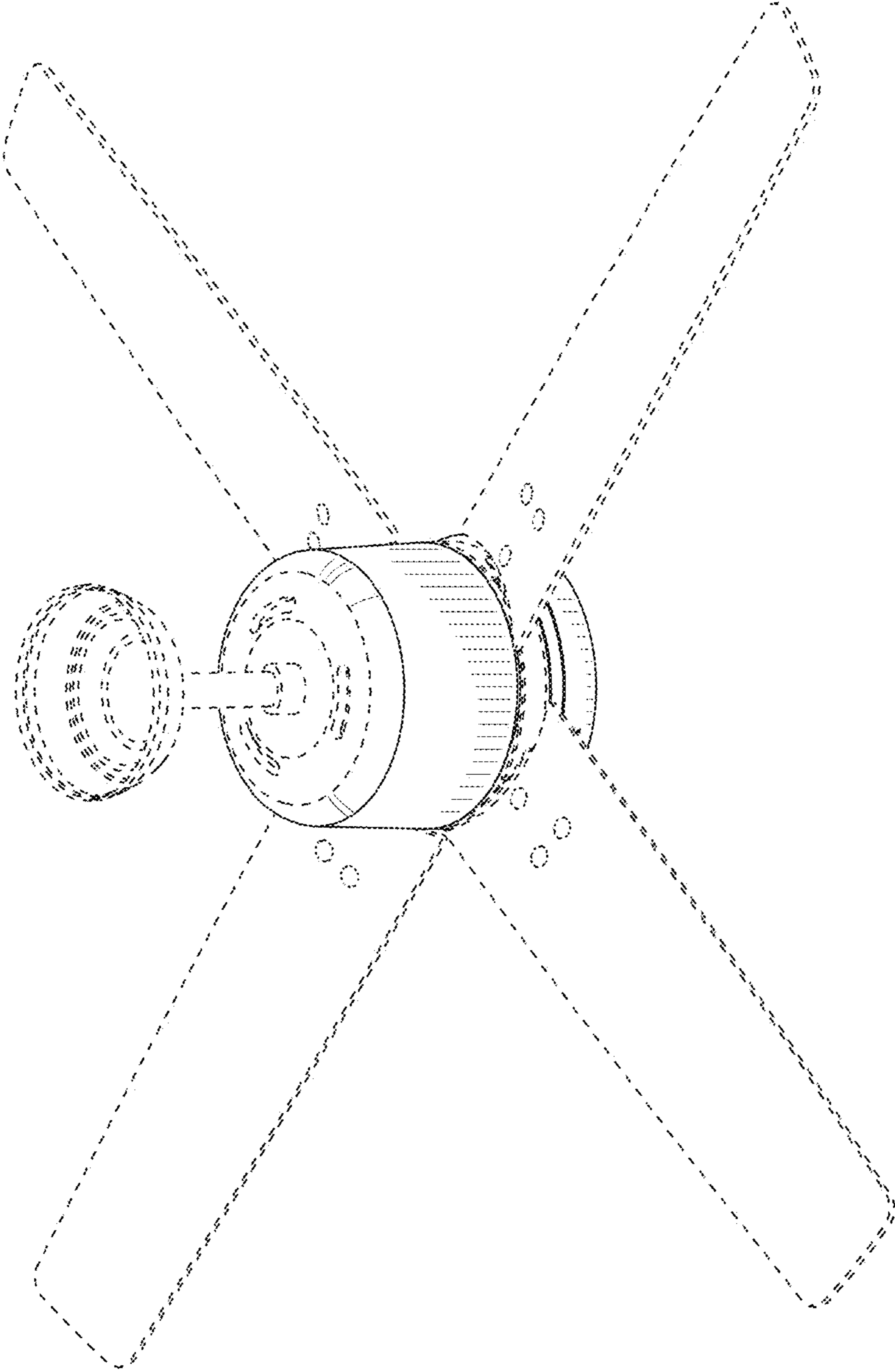


FIG. 1

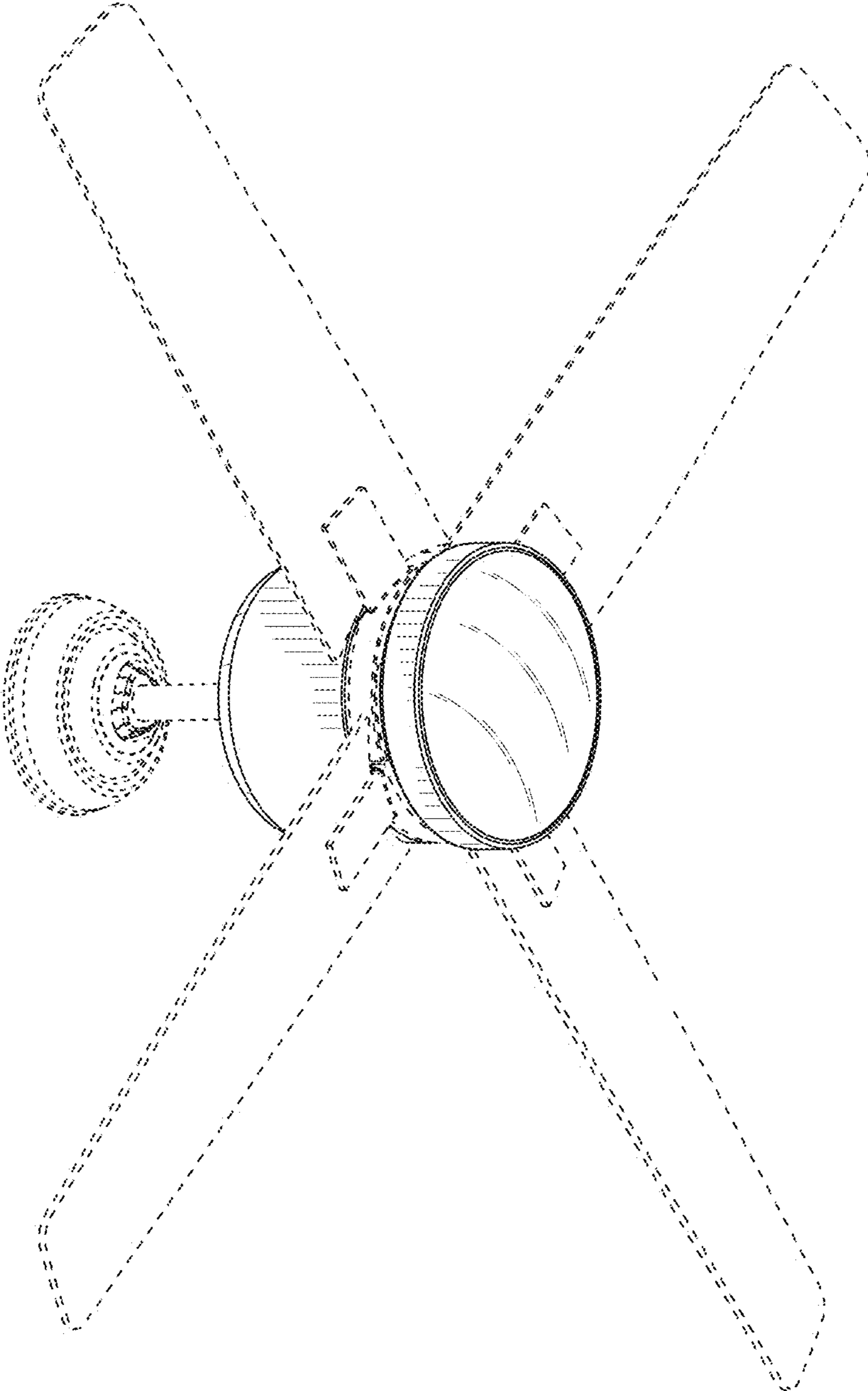


FIG. 2

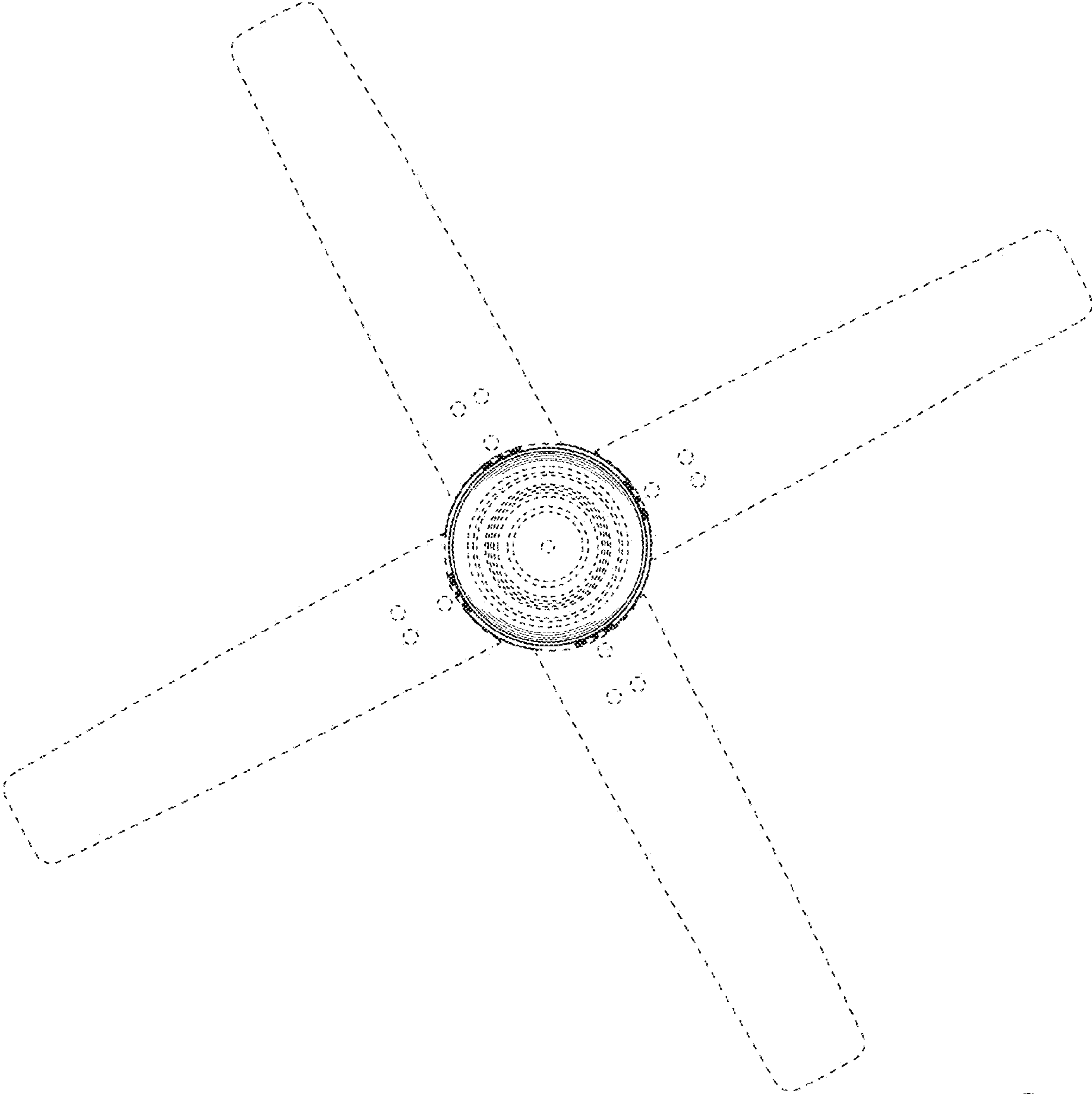


FIG. 3

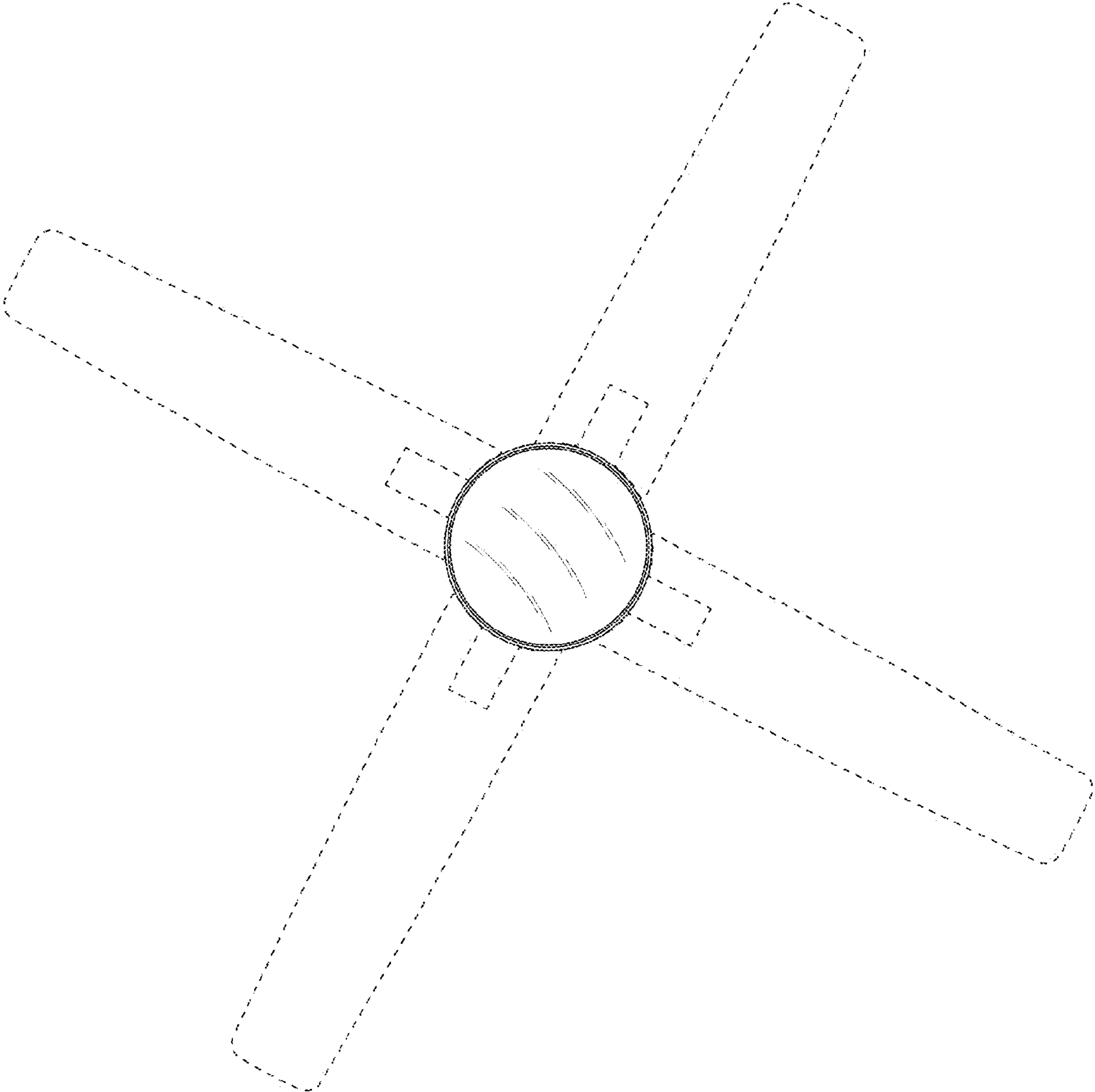


FIG. 4

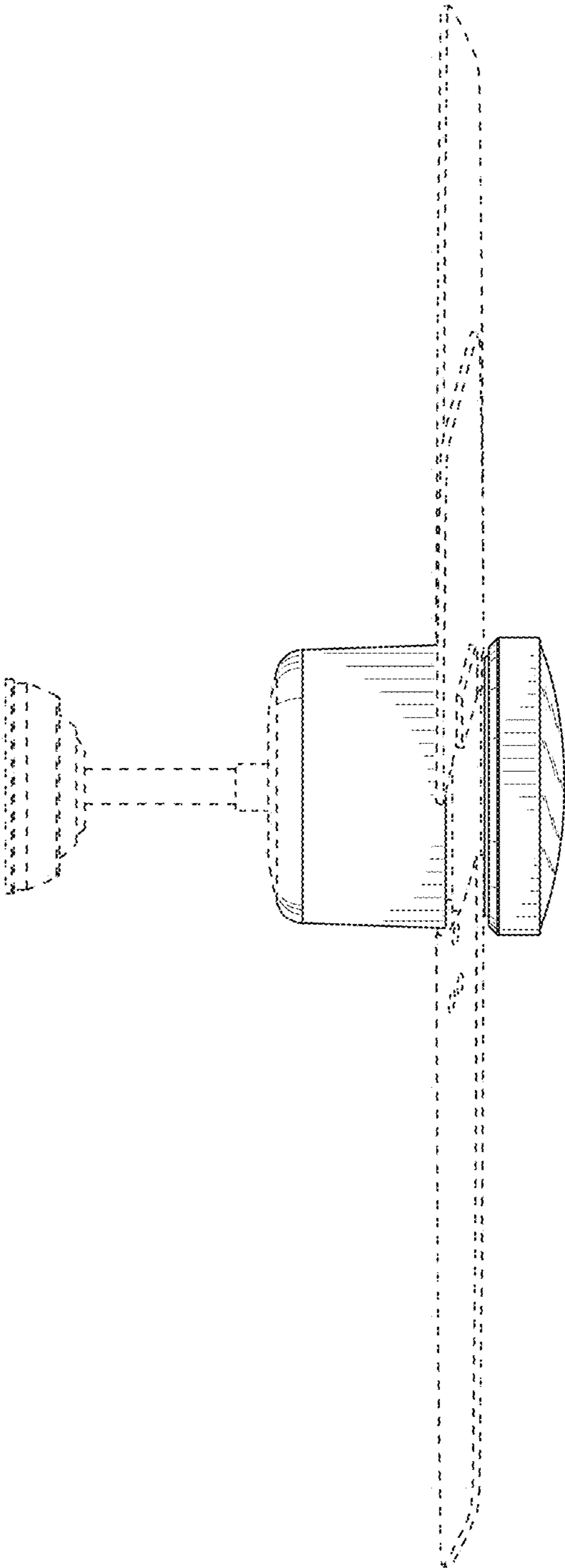


FIG. 5