



US00D921878S

(12) **United States Design Patent**  
**Li et al.**

(10) **Patent No.:** **US D921,878 S**  
(45) **Date of Patent:** **\*\* Jun. 8, 2021**

(54) **ELECTRIC FAN**

(71) Applicants: **Yan Li**, Shenzhen (CN); **Weijian Yuan**, Shenzhen (CN)

(72) Inventors: **Yan Li**, Shenzhen (CN); **Weijian Yuan**, Shenzhen (CN)

(73) Assignee: **SHENZHEN QIANHAI JUNLIAN NETWORK TECHNOLOGY CO., LTD**, Shenzhen (CN)

(\*\*) Term: **15 Years**

(21) Appl. No.: **29/764,181**

(22) Filed: **Dec. 29, 2020**

(51) **LOC (13) Cl.** ..... **23-04**

(52) **U.S. Cl.**  
USPC ..... **D23/381**

(58) **Field of Classification Search**  
USPC ..... D23/332, 335-337, 342, 355, 370, 377, D23/378, 381, 382, 383, 411  
CPC ..... F04D 25/088; F04D 29/388; F04D 29/34; F04D 25/08; F21V 33/0096  
See application file for complete search history.

(56) **References Cited**

**U.S. PATENT DOCUMENTS**

D359,116 S \* 6/1995 Marvin ..... D23/332  
D387,151 S \* 12/1997 Fok ..... D23/332  
D390,947 S \* 2/1998 Fok ..... D23/332

D405,520 S \* 2/1999 Birdsell ..... D23/382  
D415,270 S \* 10/1999 Fok ..... D23/332  
D435,899 S \* 1/2001 Melwani ..... D23/382  
D458,361 S \* 6/2002 Melwani ..... D23/379  
D546,436 S \* 7/2007 Chen ..... D23/382  
D546,437 S \* 7/2007 Chen ..... D23/382  
D750,212 S \* 2/2016 Herbst ..... D23/382  
D818,106 S \* 5/2018 Junkel ..... D23/382  
D887,542 S \* 6/2020 Youngblutt ..... D23/382  
D888,218 S \* 6/2020 Wang ..... D23/370  
D892,293 S \* 8/2020 Okuhara ..... D23/370  
D893,698 S 8/2020 Lin  
D907,188 S \* 1/2021 Zhang ..... D23/382

\* cited by examiner

*Primary Examiner* — Janice Hallmark

(74) *Attorney, Agent, or Firm* — Justin Lampel

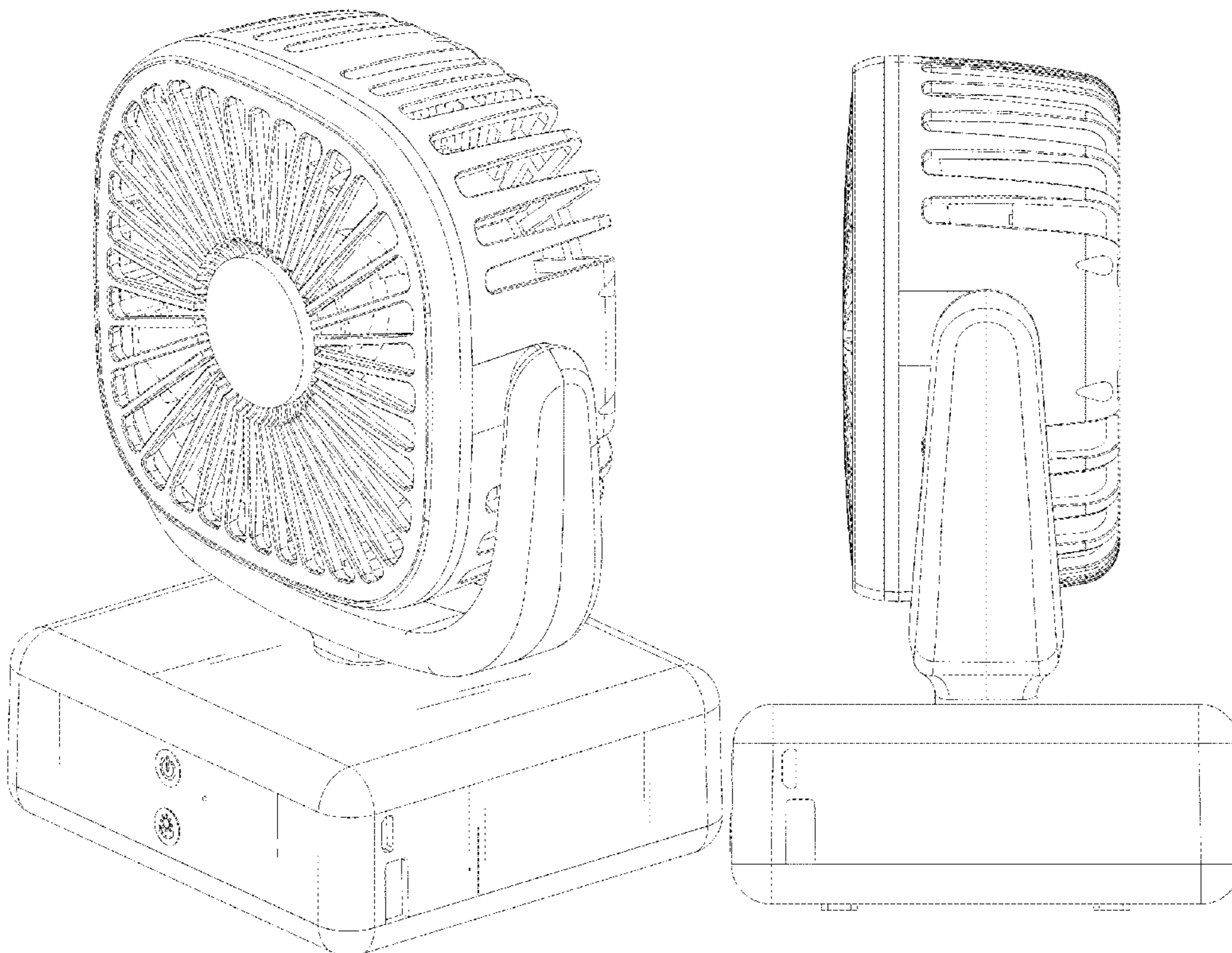
(57) **CLAIM**

The ornamental design for an electric fan, as shown and described.

**DESCRIPTION**

FIG. 1 is a perspective view of an electric fan showing the claimed design;  
FIG. 2 is a top plan view thereof;  
FIG. 3 is a rear elevational view thereof;  
FIG. 4 is a bottom plan view thereof;  
FIG. 5 is a right side view thereof;  
FIG. 6 is a front elevational view thereof; and,  
FIG. 7 is a left side view thereof.  
The broken lines illustrate portions of the electric fan that form no part of the claimed design.

**1 Claim, 7 Drawing Sheets**



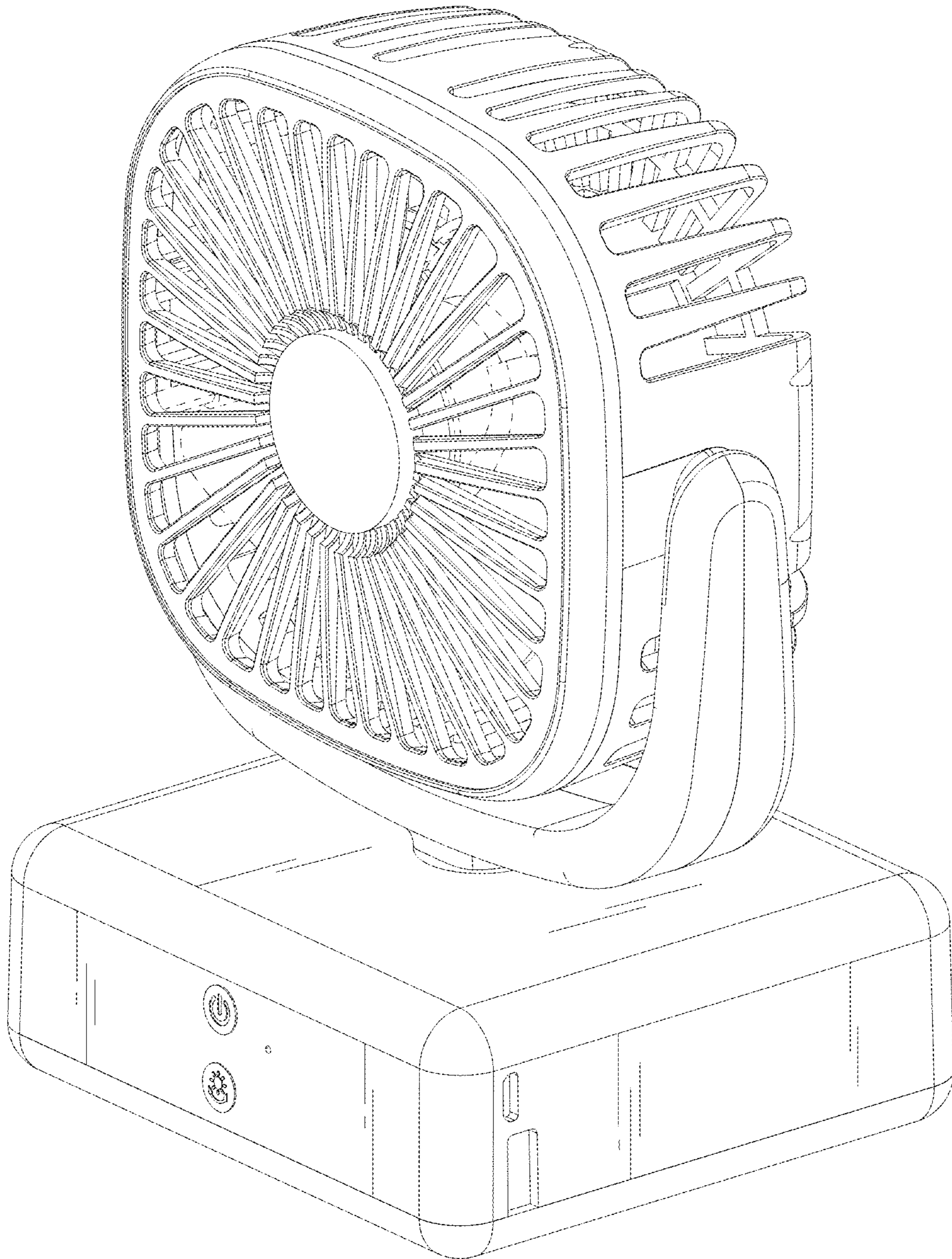


FIG. 1



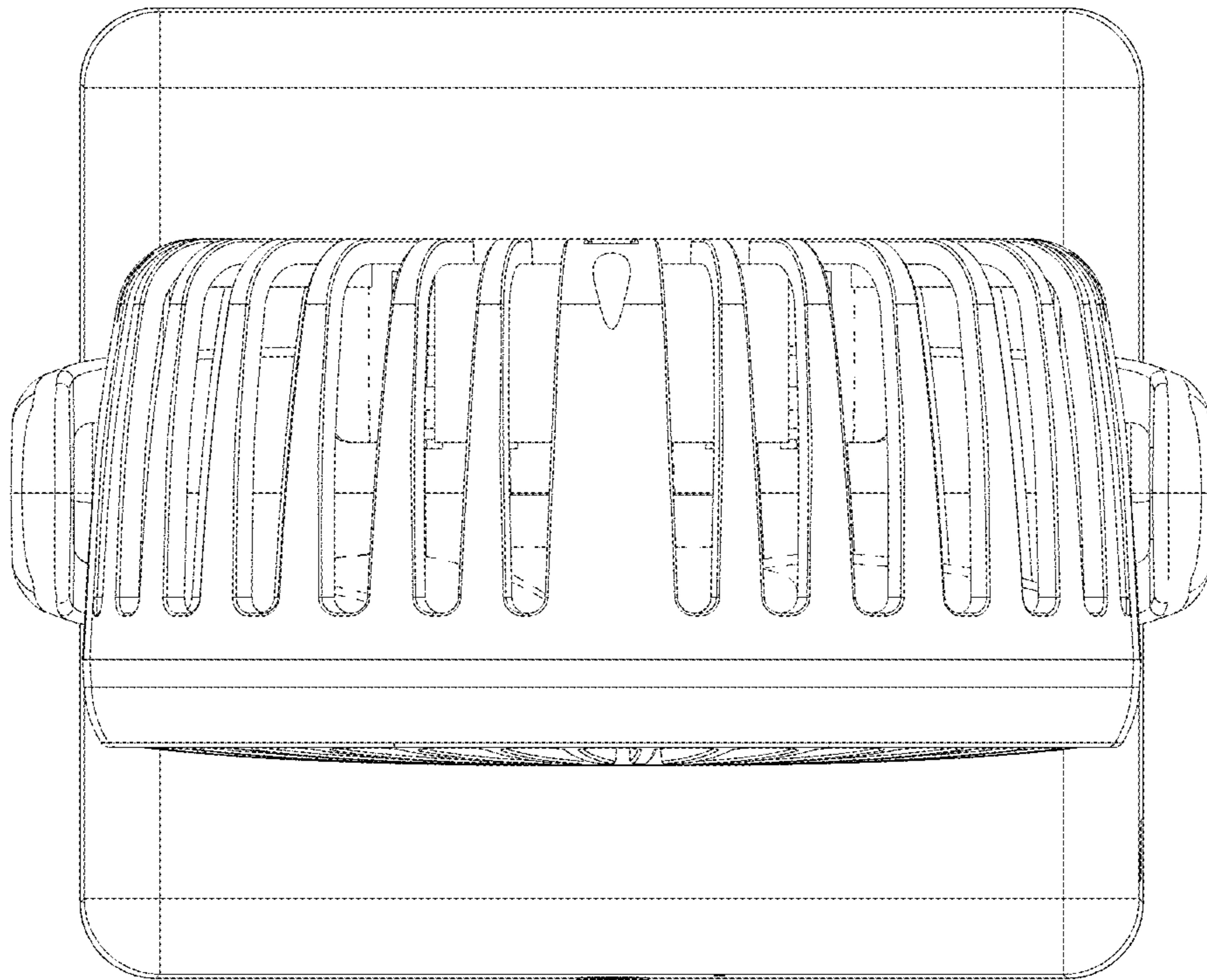


FIG.2

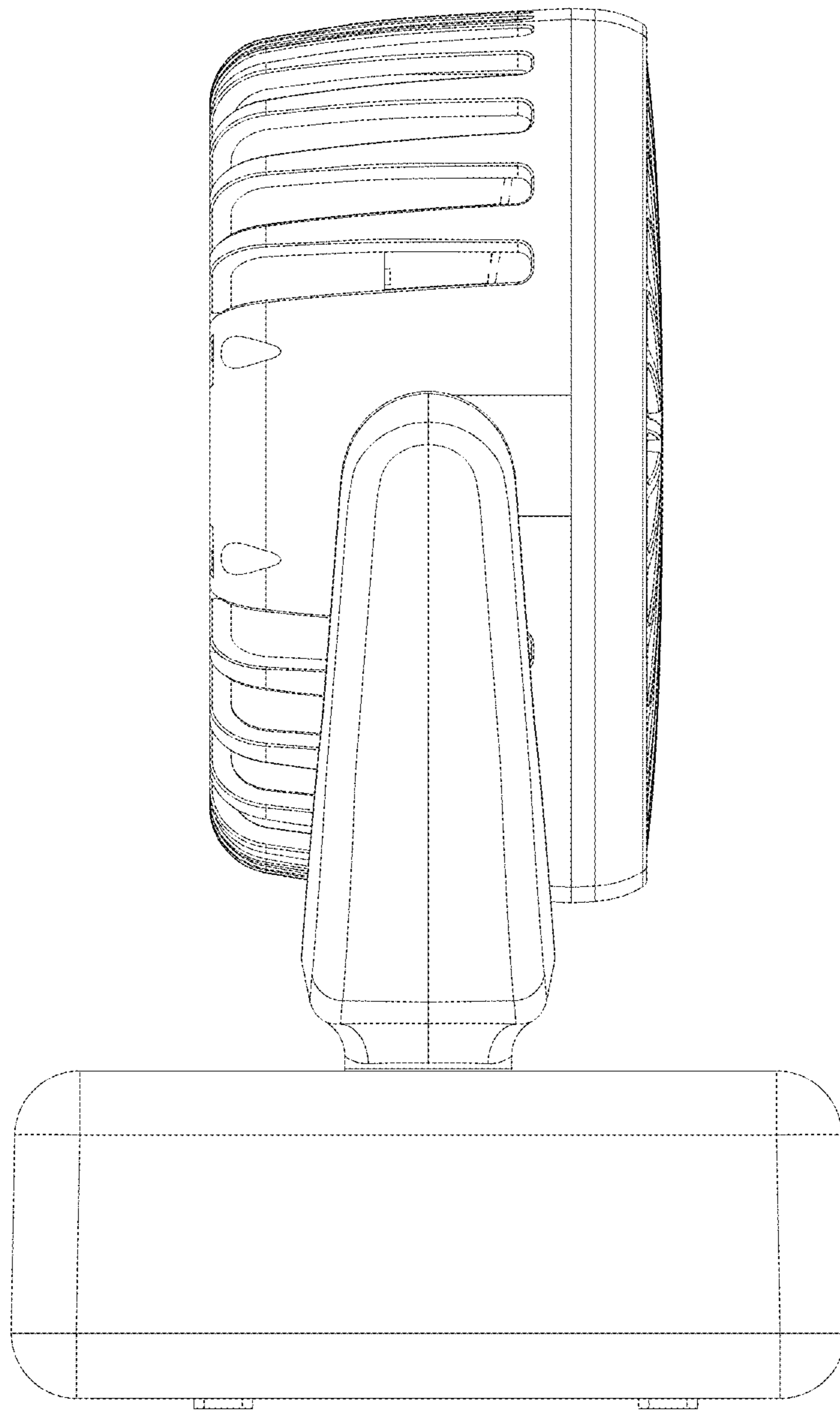


FIG. 3

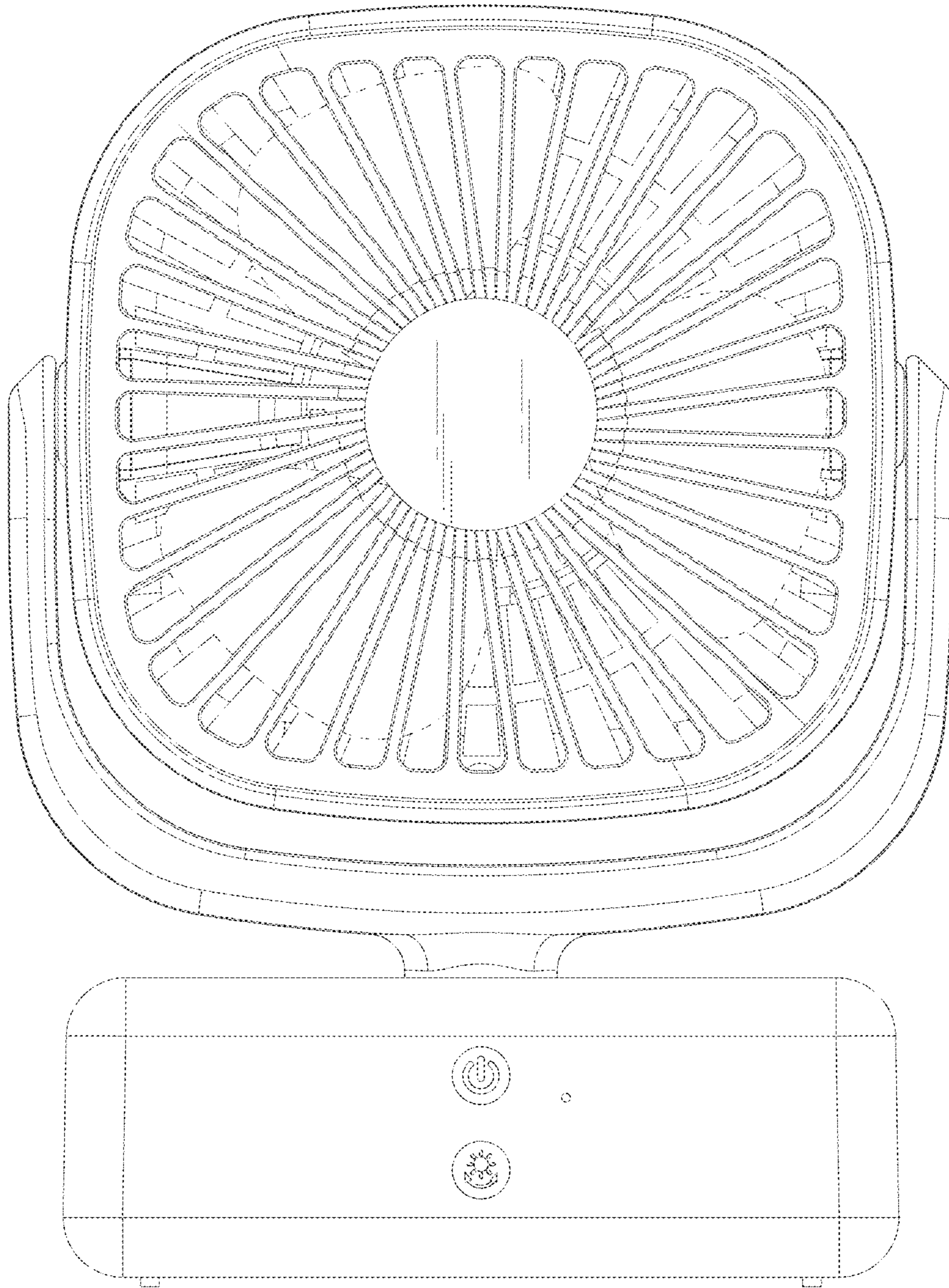


FIG.4

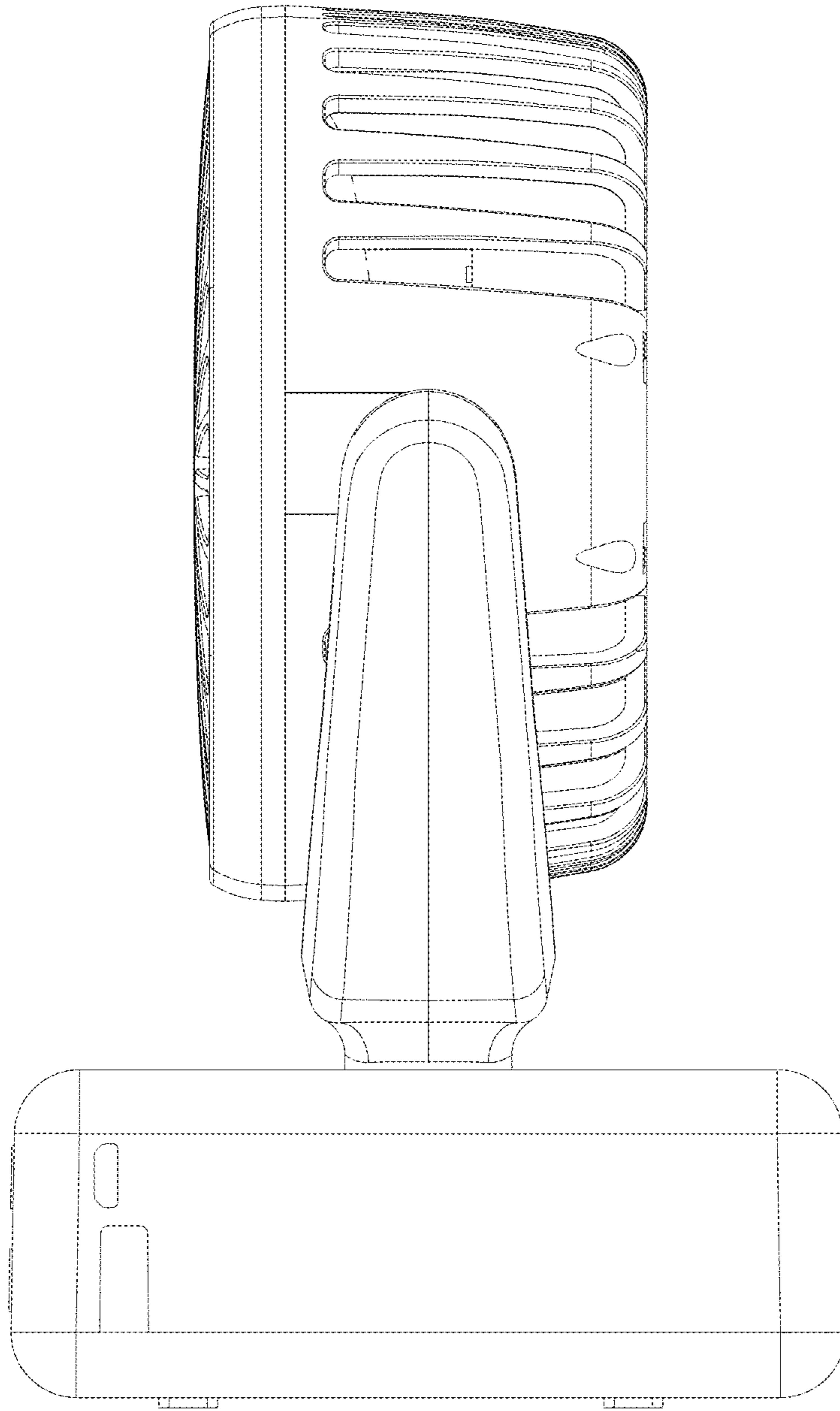


FIG.5



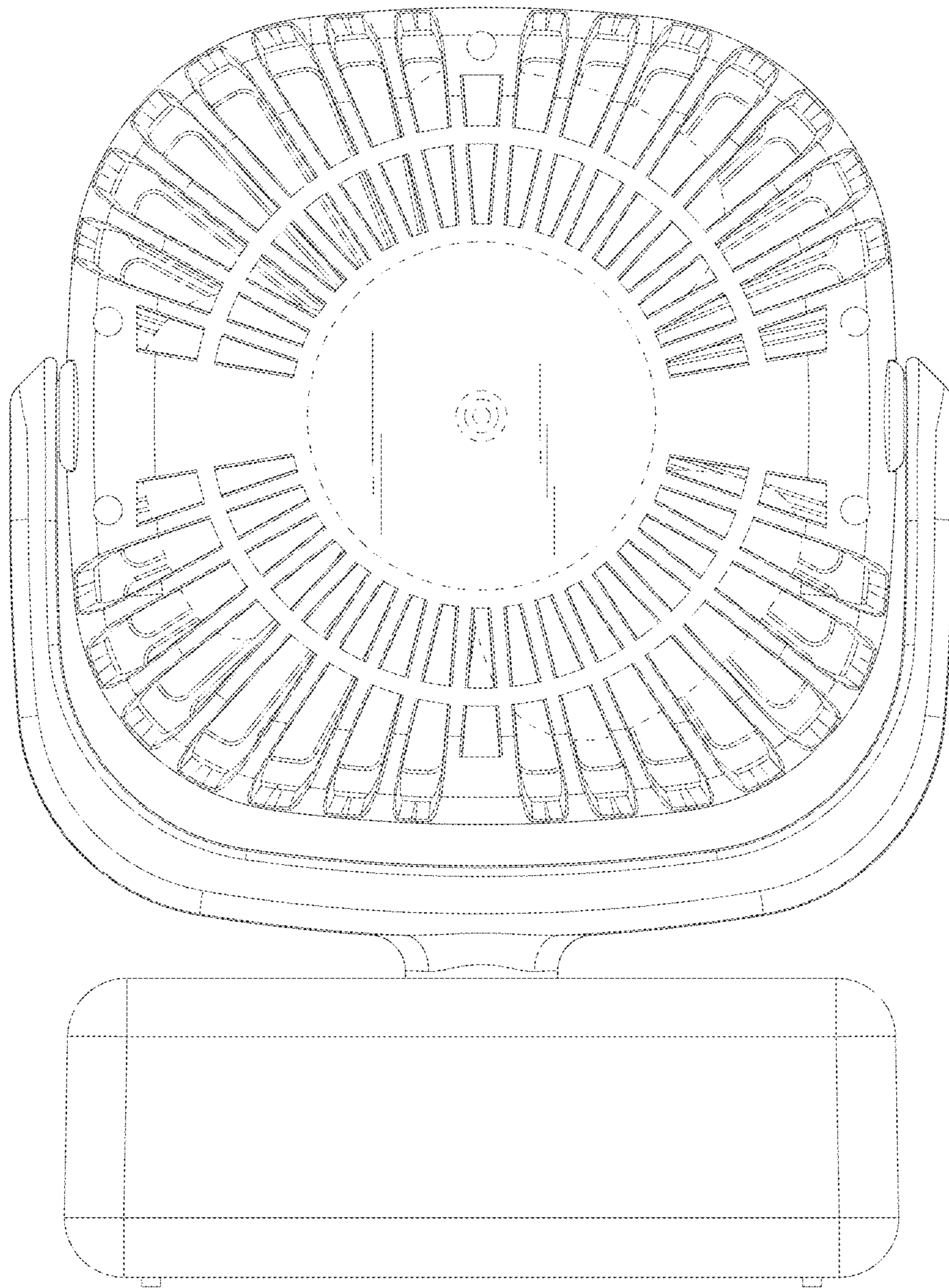


FIG.6

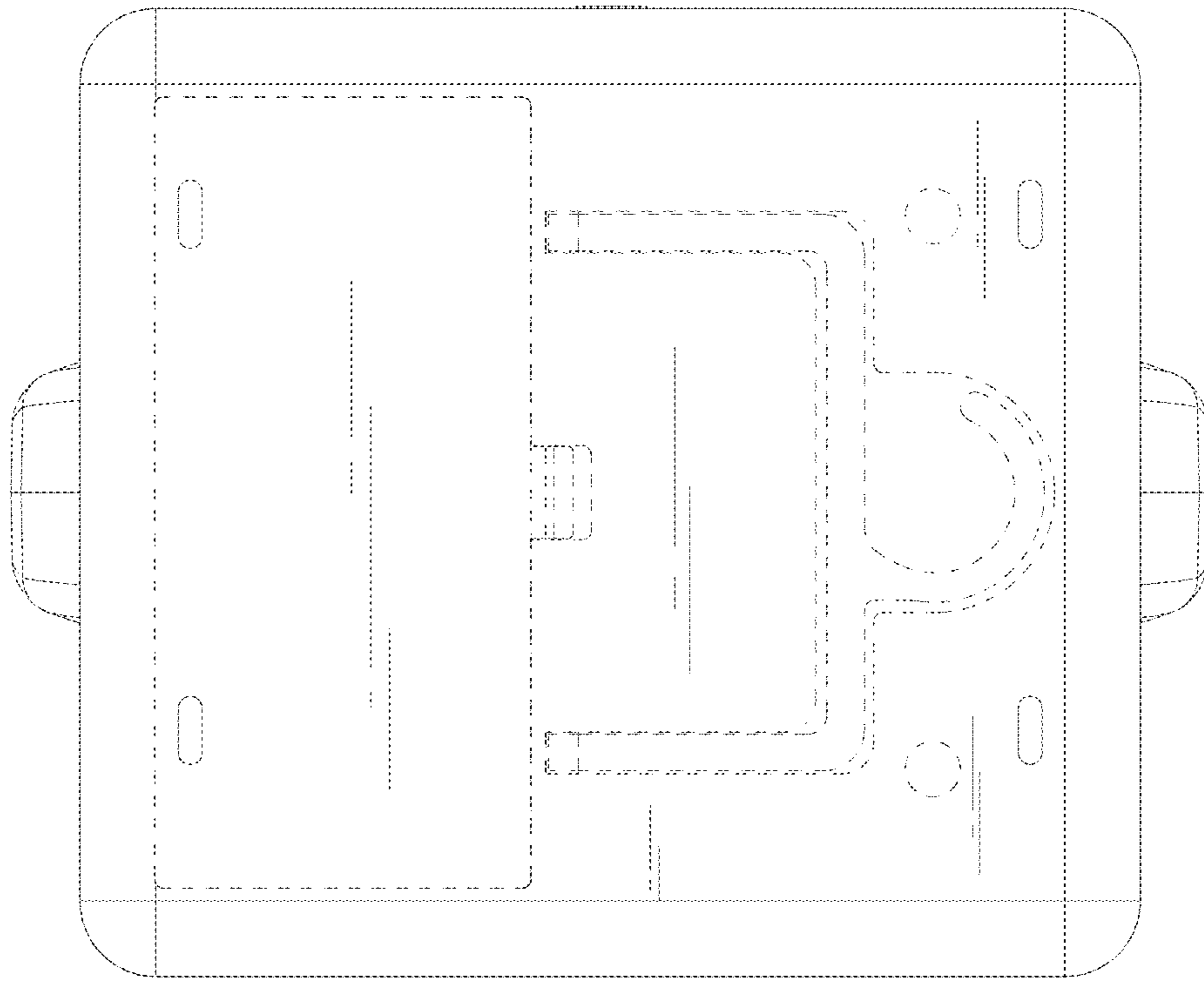


FIG. 7