



US00D921877S

(12) **United States Design Patent**  
**Oh**

(10) **Patent No.:** **US D921,877 S**  
(45) **Date of Patent:** **\*\* Jun. 8, 2021**

(54) **FAN IMPELLER**

(71) Applicant: **TORNADO SYSTEMS CO., LTD.**,  
Seongnam-si (KR)

(72) Inventor: **Hee Bum Oh**, Yongin-si (KR)

(\*\*) Term: **15 Years**

(21) Appl. No.: **35/508,760**

(22) Filed: **Sep. 3, 2019**

(80) **Hague Agreement Data**

Int. Filing Date: **Sep. 3, 2019**

Int. Reg. No.: **DM/204849**

Int. Reg. Date: **Sep. 3, 2019**

Int. Reg. Pub. Date: **Mar. 6, 2020**

(51) **LOC (13) Cl.** ..... **23-04**

(52) **U.S. Cl.**

USPC ..... **D23/379; D13/179**

(58) **Field of Classification Search**

USPC ..... D23/370–385, 411–414; D13/179

CPC ..... F04D 25/088; F04D 25/06; F04D 29/38;

F04D 29/522; F04D 29/5853; F04D

29/326; F01P 5/02

See application file for complete search history.

(56) **References Cited**

**U.S. PATENT DOCUMENTS**

D563,544 S \* 3/2008 Hwang ..... D23/413

D571,000 S \* 6/2008 Bei ..... D23/413

D574,077 S *	7/2008	Hornig	.....	D23/379
D575,749 S *	8/2008	Hwang	.....	D13/179
D577,807 S *	9/2008	Kenyon	.....	D23/379
D579,883 S *	11/2008	Hwang	.....	D13/179
D630,721 S *	1/2011	Kenyon	.....	D23/379
D634,833 S *	3/2011	Stagg	.....	D23/370
D645,950 S *	9/2011	Kenyon	.....	D23/379
D694,874 S *	12/2013	Lin	.....	D23/413
D701,300 S *	3/2014	Tanabe	.....	D23/379
D702,829 S *	4/2014	Chen	.....	D23/379
D704,323 S *	5/2014	Rasmussen	.....	D23/379
D745,955 S *	12/2015	Chen	.....	D23/379
D755,134 S *	5/2016	Andre	.....	D13/179
D756,500 S *	5/2016	Rasmussen	.....	D23/379
D800,890 S *	10/2017	Hamada	.....	D23/370
D860,956 S *	9/2019	Chiu	.....	D13/179
D900,994 S *	11/2020	Angel	.....	D23/413

\* cited by examiner

*Primary Examiner* — Natasha Vujcic

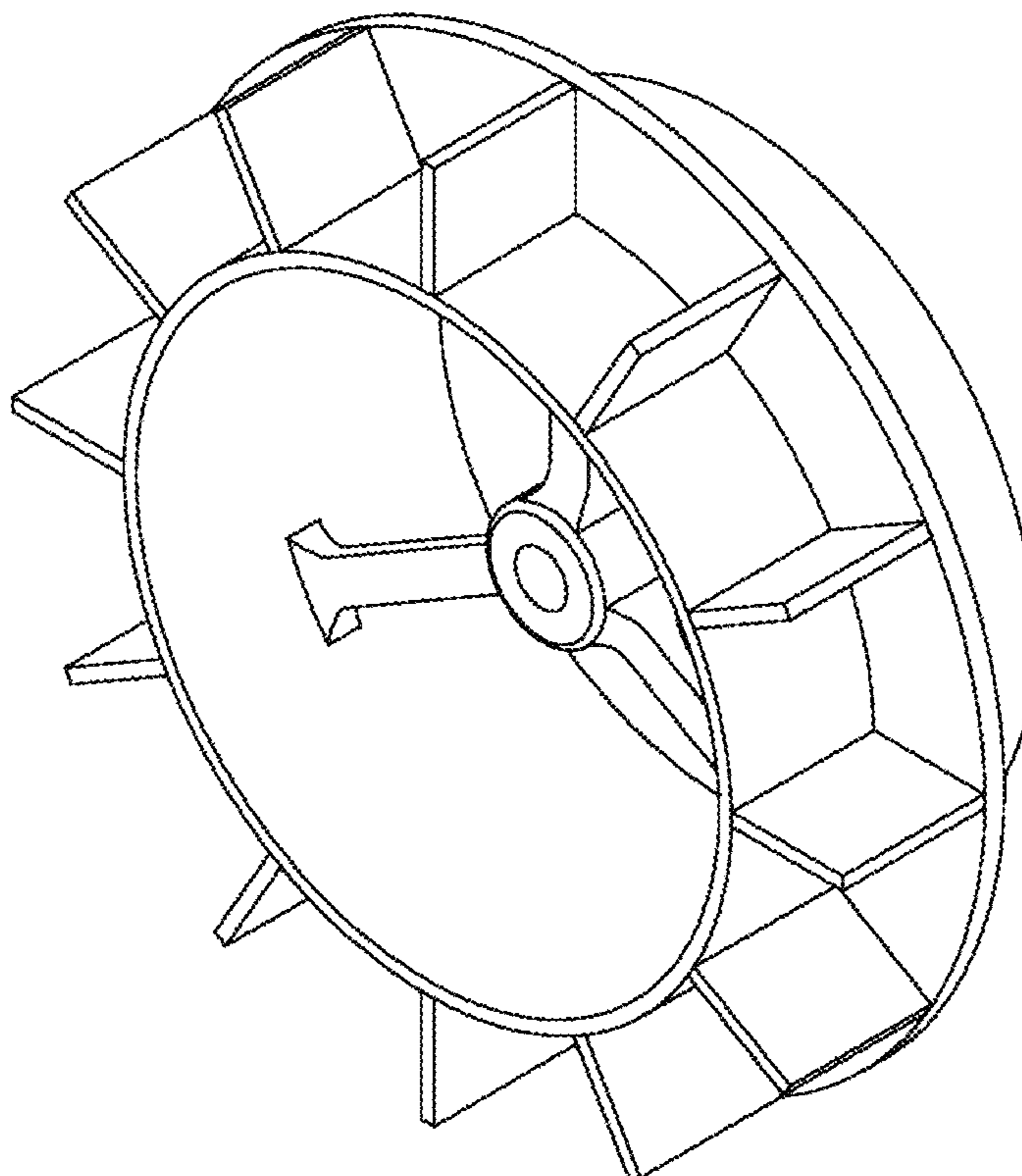
(57) **CLAIM**

The ornamental design for fan impeller, as shown and described.

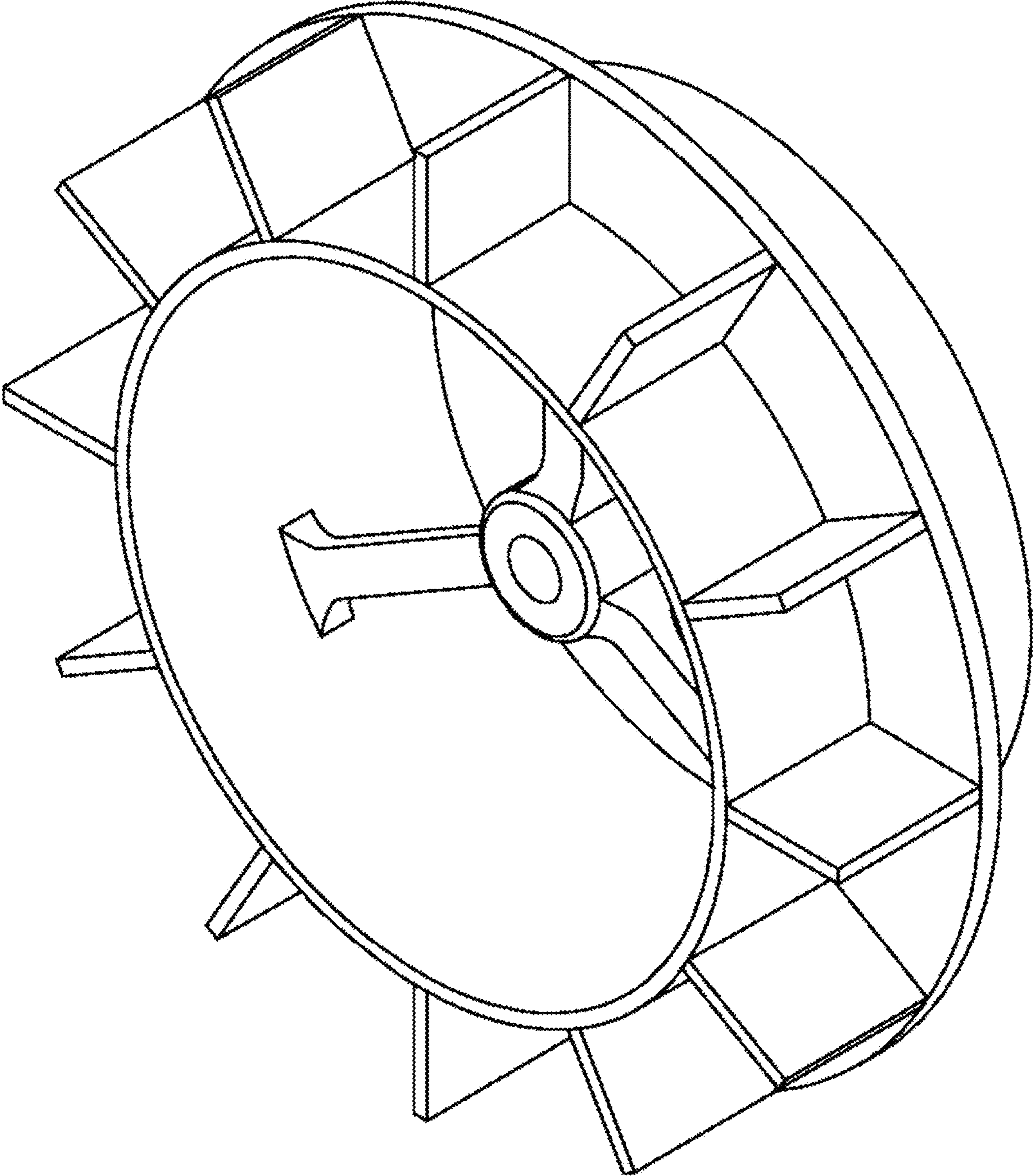
**DESCRIPTION**

- 1. Fan impeller
- 1.1 : Perspective
- 1.2 : Front
- 1.3 : Back
- 1.4 : Top
- 1.5 : Left

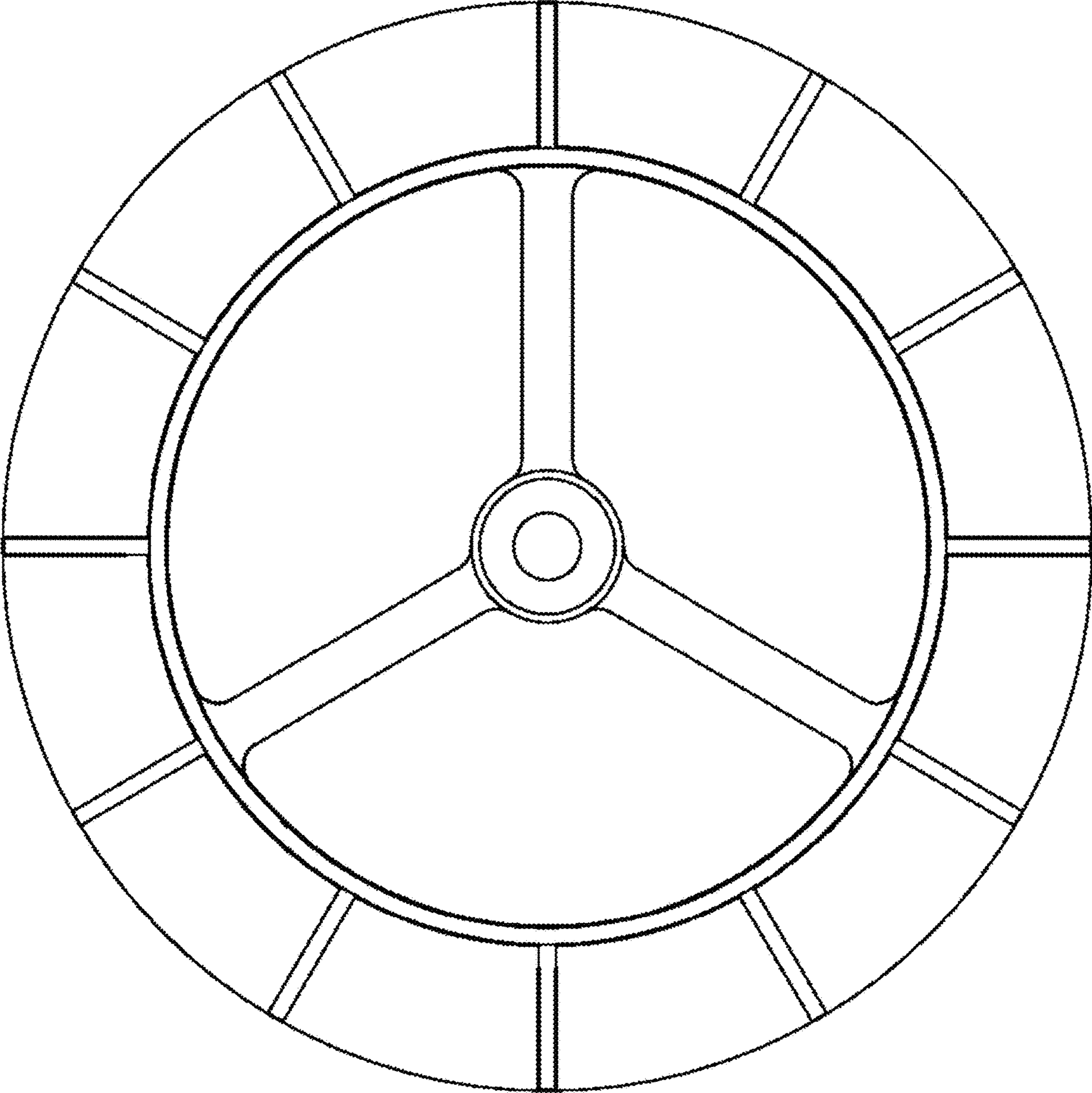
**1 Claim, 5 Drawing Sheets**



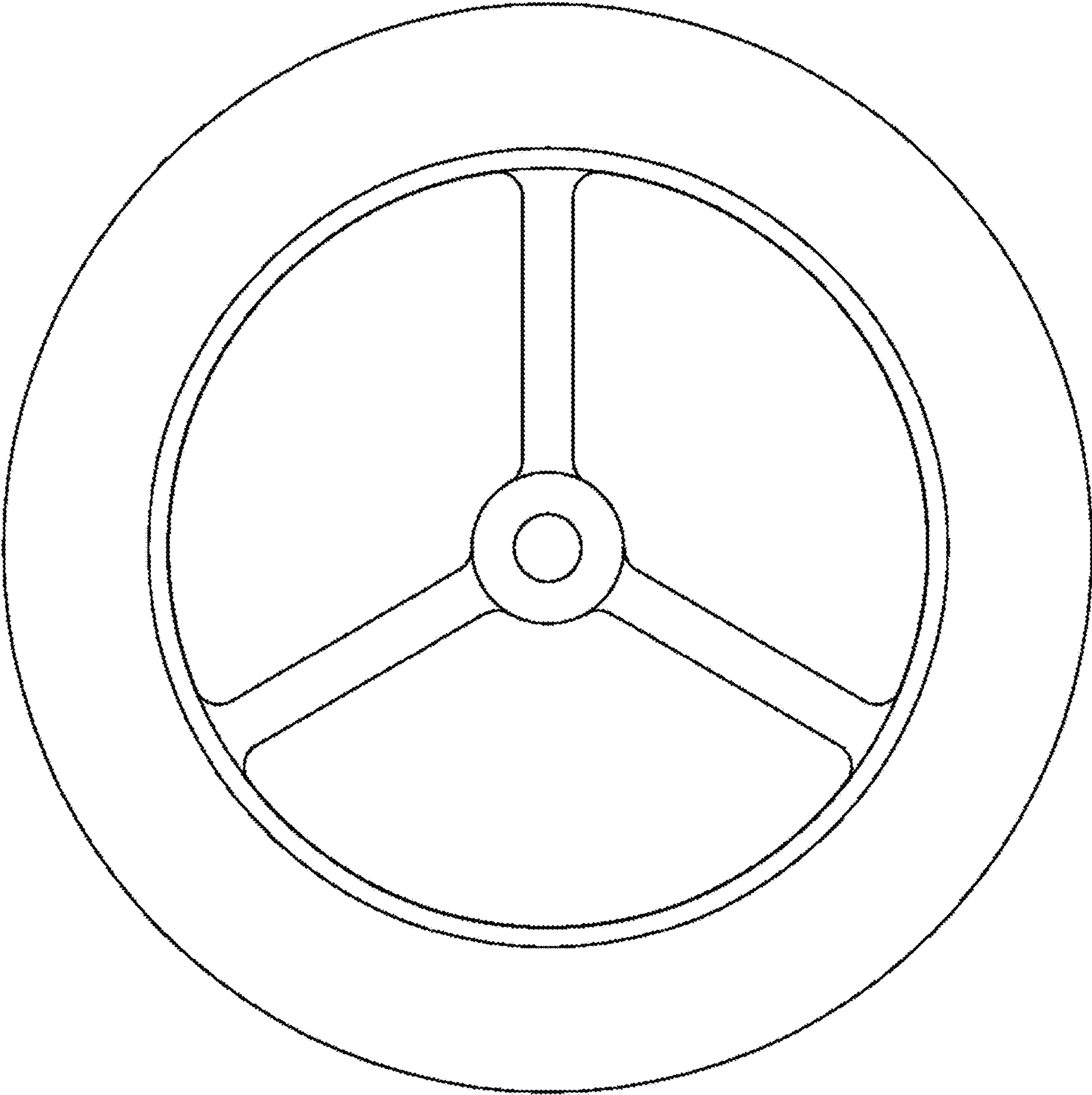
1.1



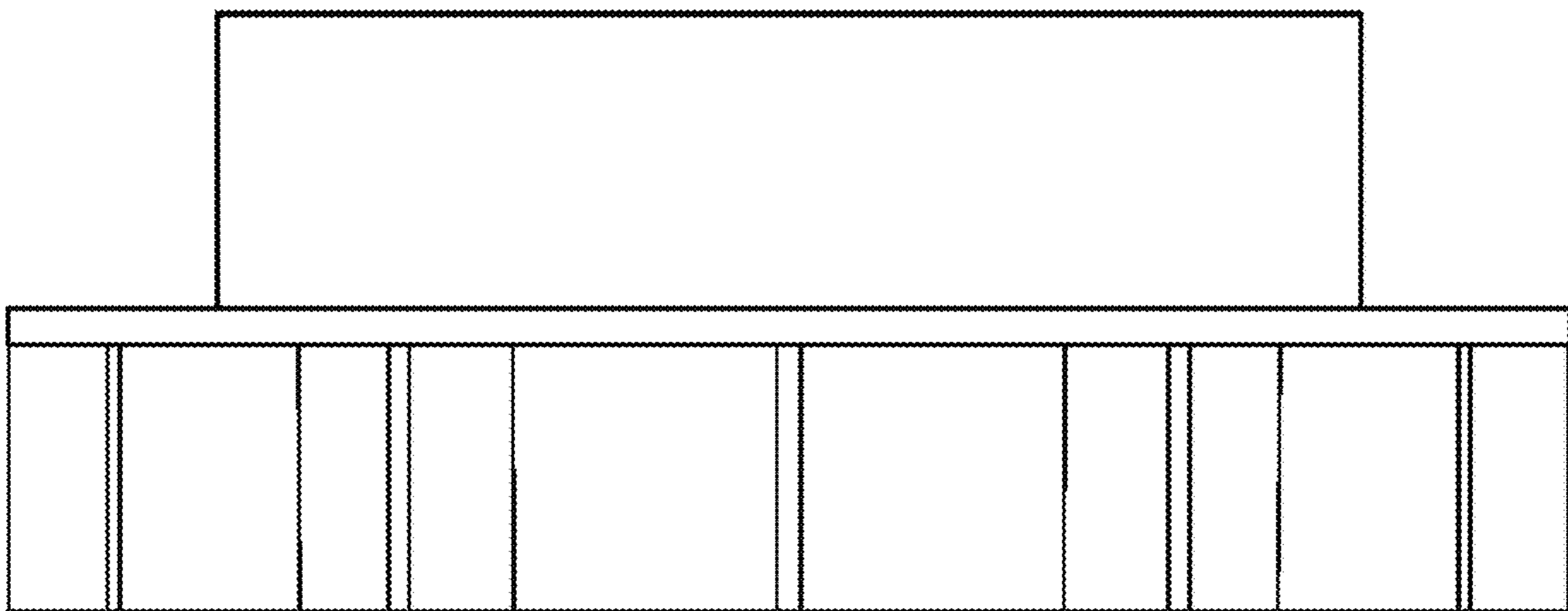
1.2



1.3



1.4



1.5

