



US00D921874S

(12) **United States Design Patent** (10) **Patent No.:** **US D921,874 S**  
**Oh** (45) **Date of Patent:** **\*\* Jun. 8, 2021**

(54) **FAN IMPELLER**  
(71) Applicant: **TORNADO SYSTEMS CO., LTD.**,  
Seongnam-si (KR)  
(72) Inventor: **Hee Bum Oh**, Yongin-si (KR)  
(\*\*) Term: **15 Years**  
(21) Appl. No.: **35/508,741**  
(22) Filed: **Sep. 3, 2019**  
(80) **Hague Agreement Data**  
Int. Filing Date: **Sep. 3, 2019**  
Int. Reg. No.: **DM/204848**  
Int. Reg. Date: **Sep. 3, 2019**  
Int. Reg. Pub. Date: **Mar. 6, 2020**  
(51) **LOC (13) Cl.** ..... **23-04**  
(52) **U.S. Cl.**  
USPC ..... **D23/379; D13/179**  
(58) **Field of Classification Search**  
USPC ..... D23/370-385, 411-414; D13/179  
CPC ..... F04D 25/088; F04D 25/06; F04D 29/38;  
F04D 29/522; F04D 29/5853; F04D  
29/326; F01P 5/02  
See application file for complete search history.

(56) **References Cited**  
U.S. PATENT DOCUMENTS  
D563,544 S \* 3/2008 Hwang ..... D23/413  
D571,000 S \* 6/2008 Bei ..... D23/413

D574,077 S \* 7/2008 Horng ..... D23/379  
D575,749 S \* 8/2008 Hwang ..... D13/179  
D577,807 S \* 9/2008 Kenyon ..... D23/379  
D579,883 S \* 11/2008 Hwang ..... D13/179  
D630,721 S \* 1/2011 Kenyon ..... D23/379  
D634,833 S \* 3/2011 Stagg ..... D23/370  
D645,950 S \* 9/2011 Kenyon ..... D23/379  
D694,874 S \* 12/2013 Lin ..... D23/413  
D701,300 S \* 3/2014 Tanabe ..... D23/379  
D702,829 S \* 4/2014 Chen ..... D23/379  
D704,323 S \* 5/2014 Rasmussen ..... D23/379  
D745,955 S \* 12/2015 Chen ..... D23/379  
D755,134 S \* 5/2016 Andre ..... D13/179  
D756,500 S \* 5/2016 Rasmussen ..... D23/379  
D800,890 S \* 10/2017 Hamada ..... D23/370  
D860,956 S \* 9/2019 Chiu ..... D13/179  
D900,994 S \* 11/2020 Angel ..... D23/413

\* cited by examiner

*Primary Examiner* — Natasha Vujcic

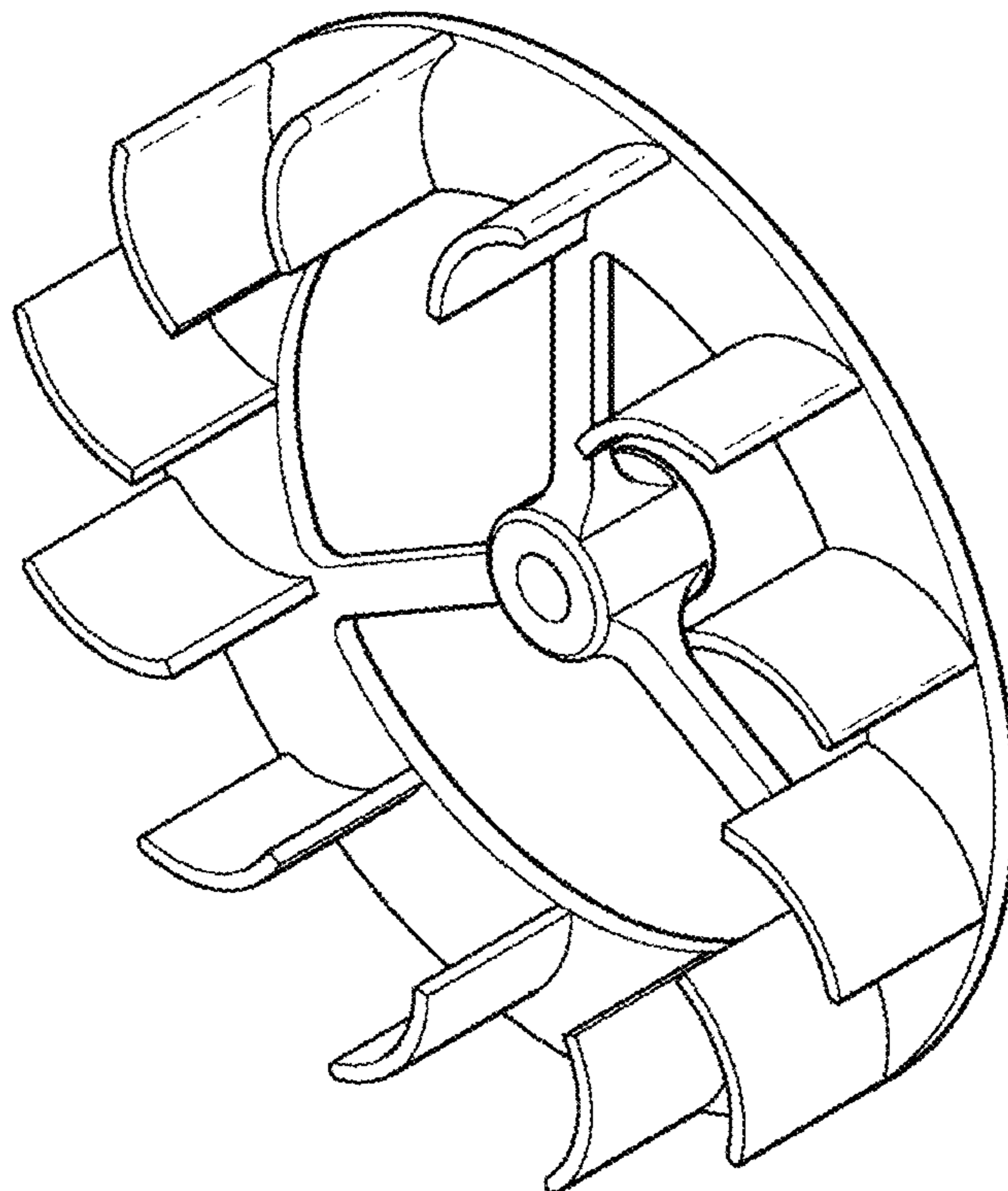
(57) **CLAIM**

The ornamental design for fan impeller, as shown and described.

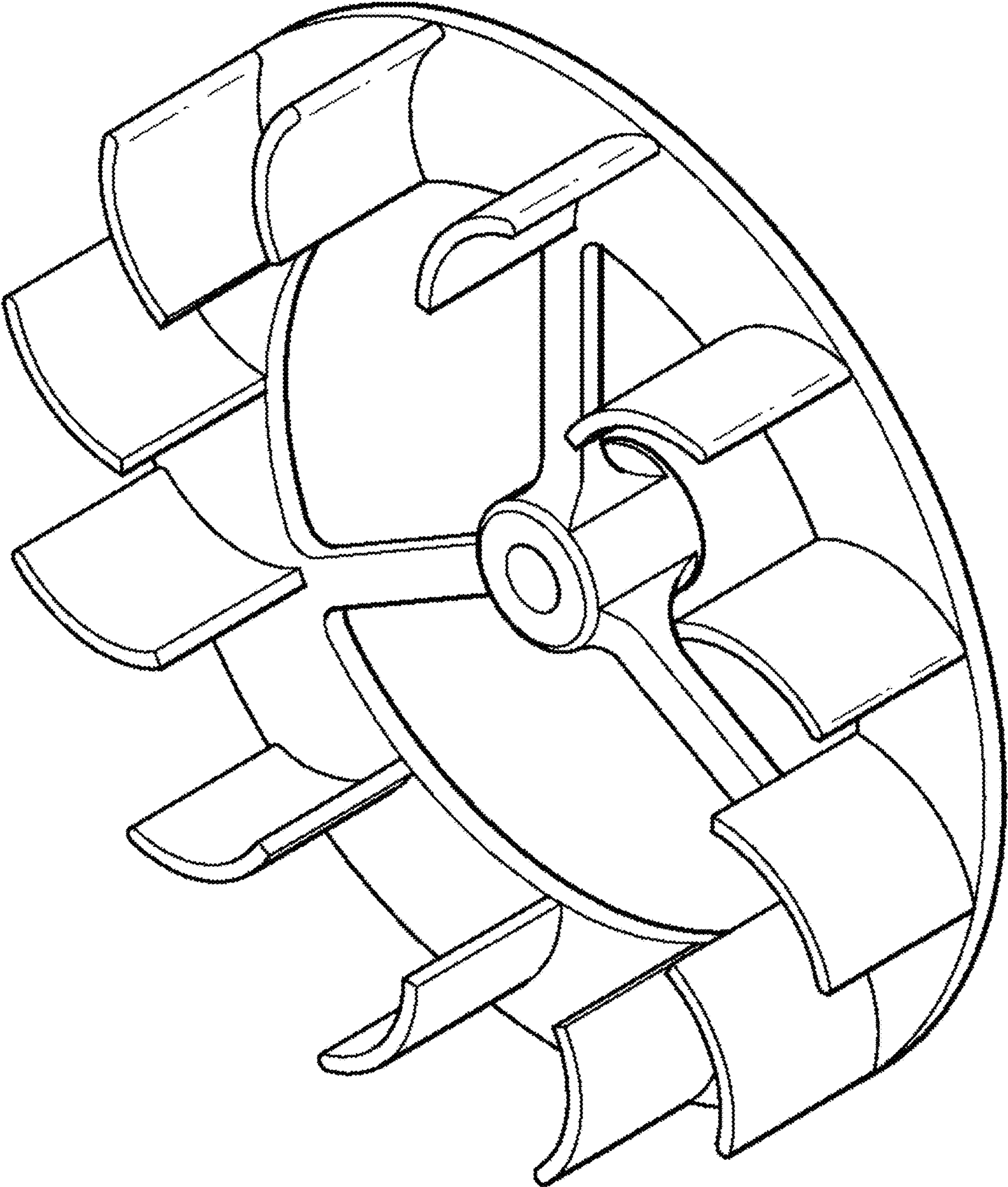
**DESCRIPTION**

- 1. Fan impeller
- 1.1 : Perspective
- 1.2 : Front
- 1.3 : Back
- 1.4 : Top
- 1.5 : Bottom
- 1.6 : Left
- 1.7 : Right

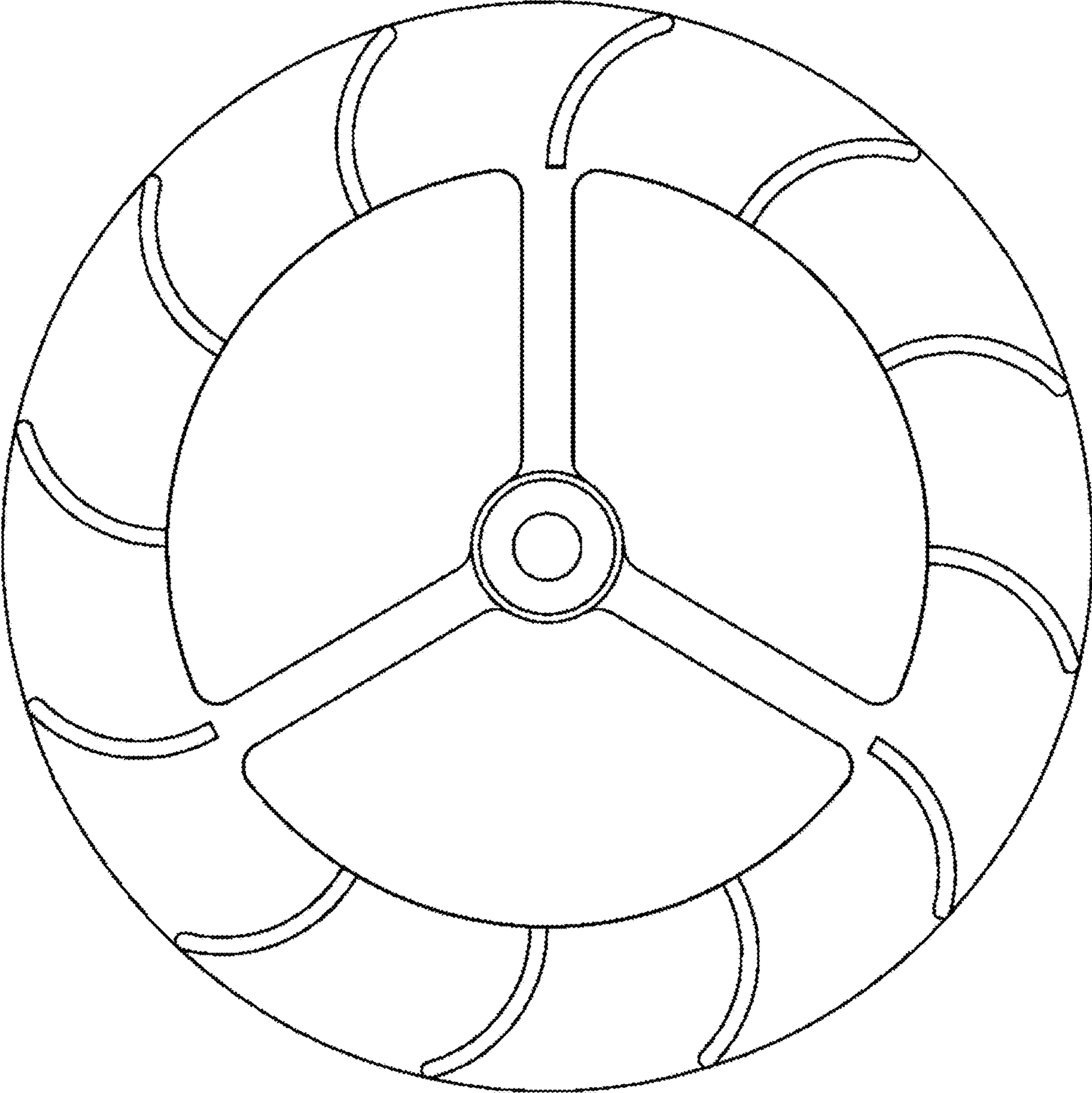
**1 Claim, 7 Drawing Sheets**



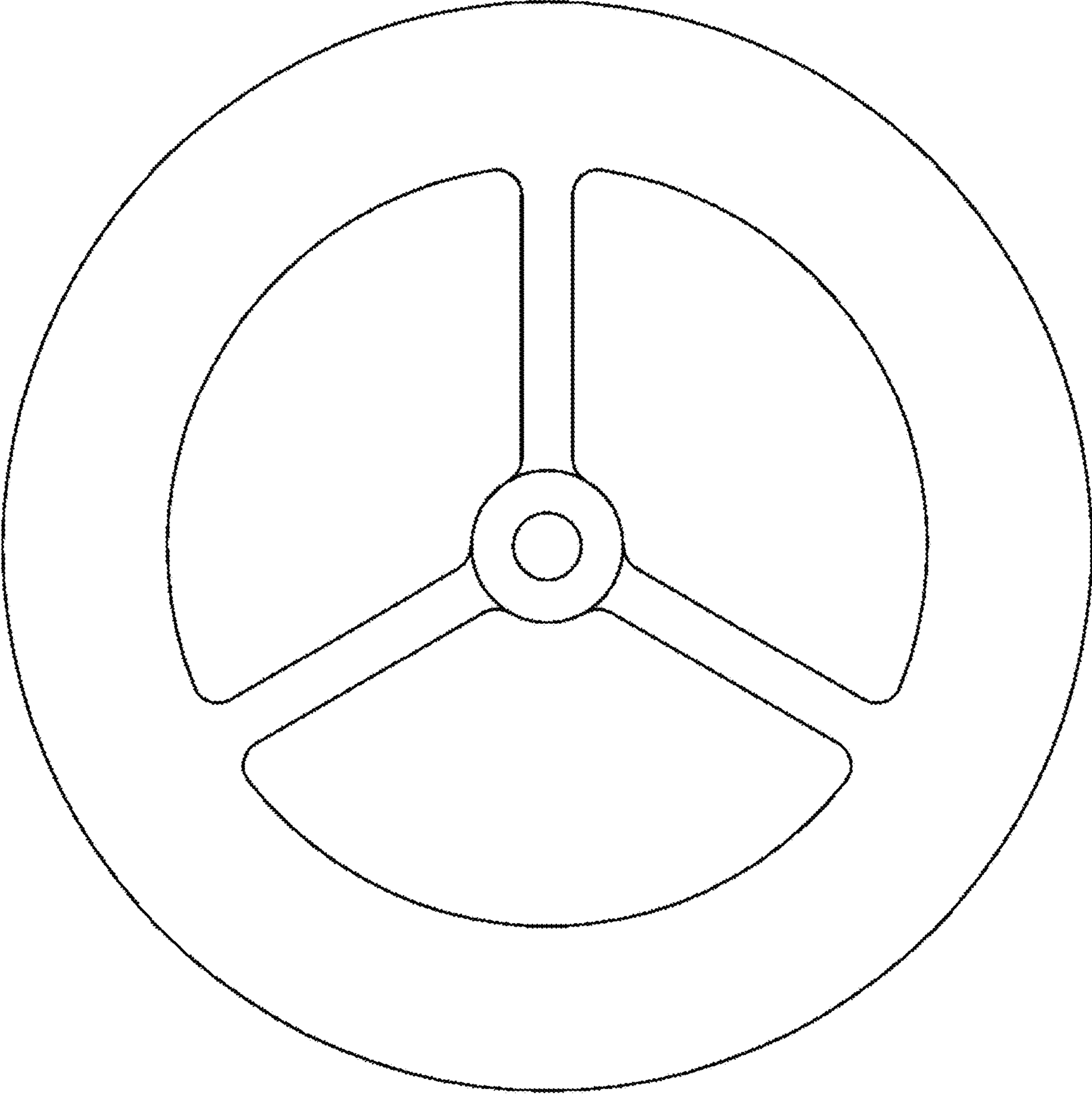
1.1



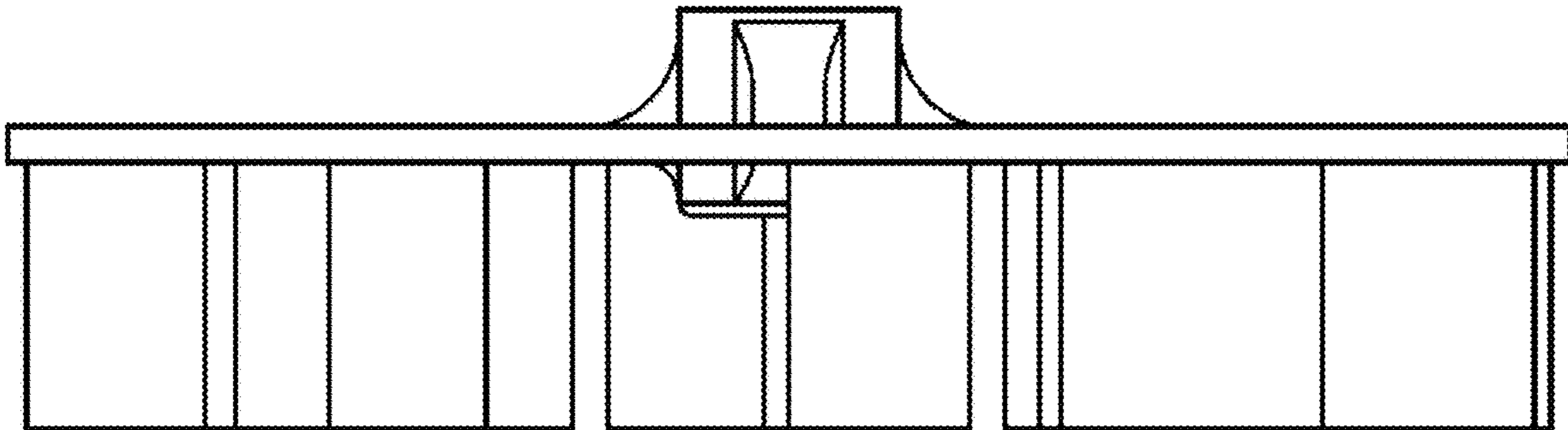
1.2



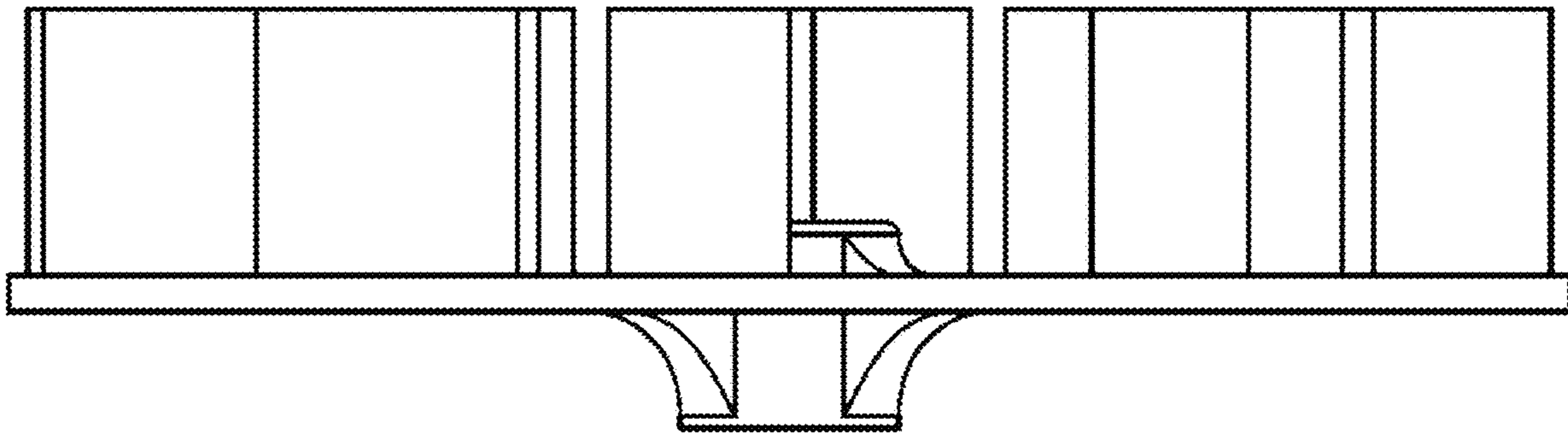
1.3



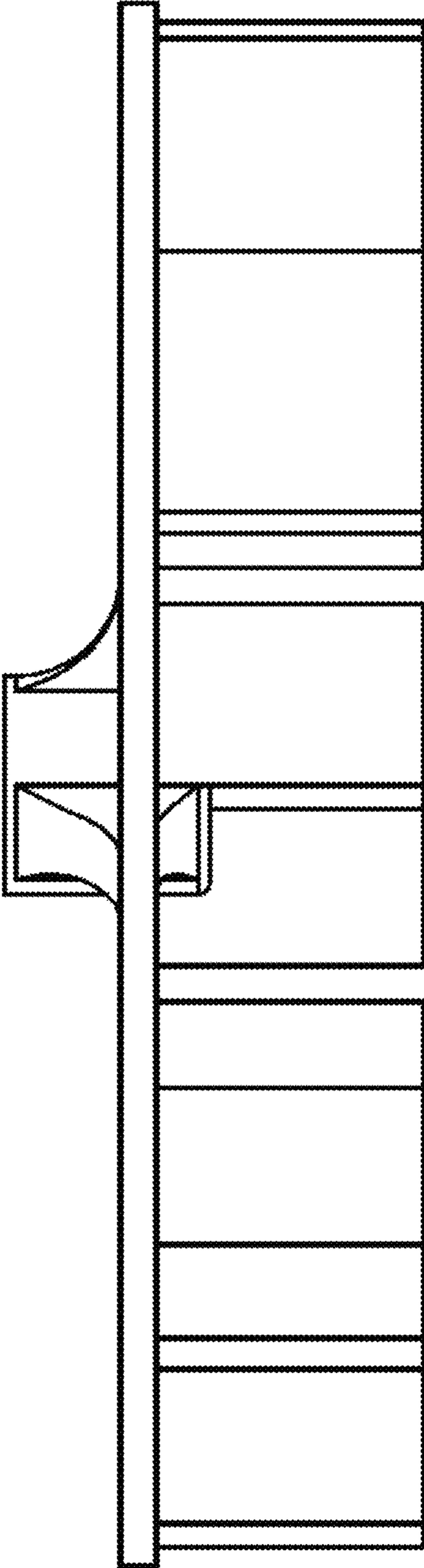
1.4



1.5



1.6



1.7

