



US00D921873S

(12) **United States Design Patent** (10) **Patent No.:** **US D921,873 S**
Oh (45) **Date of Patent:** **** Jun. 8, 2021**

(54) **FAN IMPELLER**
(71) Applicant: **TORNADO SYSTEMS CO., LTD.**,
Seongnam-si (KR)
(72) Inventor: **Hee Bum Oh**, Yongin-si (KR)
(**) Term: **15 Years**
(21) Appl. No.: **35/508,737**
(22) Filed: **Sep. 3, 2019**
(80) **Hague Agreement Data**
Int. Filing Date: **Sep. 3, 2019**
Int. Reg. No.: **DM/204836**
Int. Reg. Date: **Sep. 3, 2019**
Int. Reg. Pub. Date: **Mar. 6, 2020**
(51) **LOC (13) Cl.** **23-04**
(52) **U.S. Cl.**
USPC **D23/379; D13/179**
(58) **Field of Classification Search**
USPC D23/370-385, 411-414; D13/179
CPC F04D 25/088; F04D 25/06; F04D 29/38;
F04D 29/522; F04D 29/5853; F04D
29/326; F01P 5/02
See application file for complete search history.

(56) **References Cited**
U.S. PATENT DOCUMENTS
D563,544 S * 3/2008 Hwang D23/413
D571,000 S * 6/2008 Bei D23/413

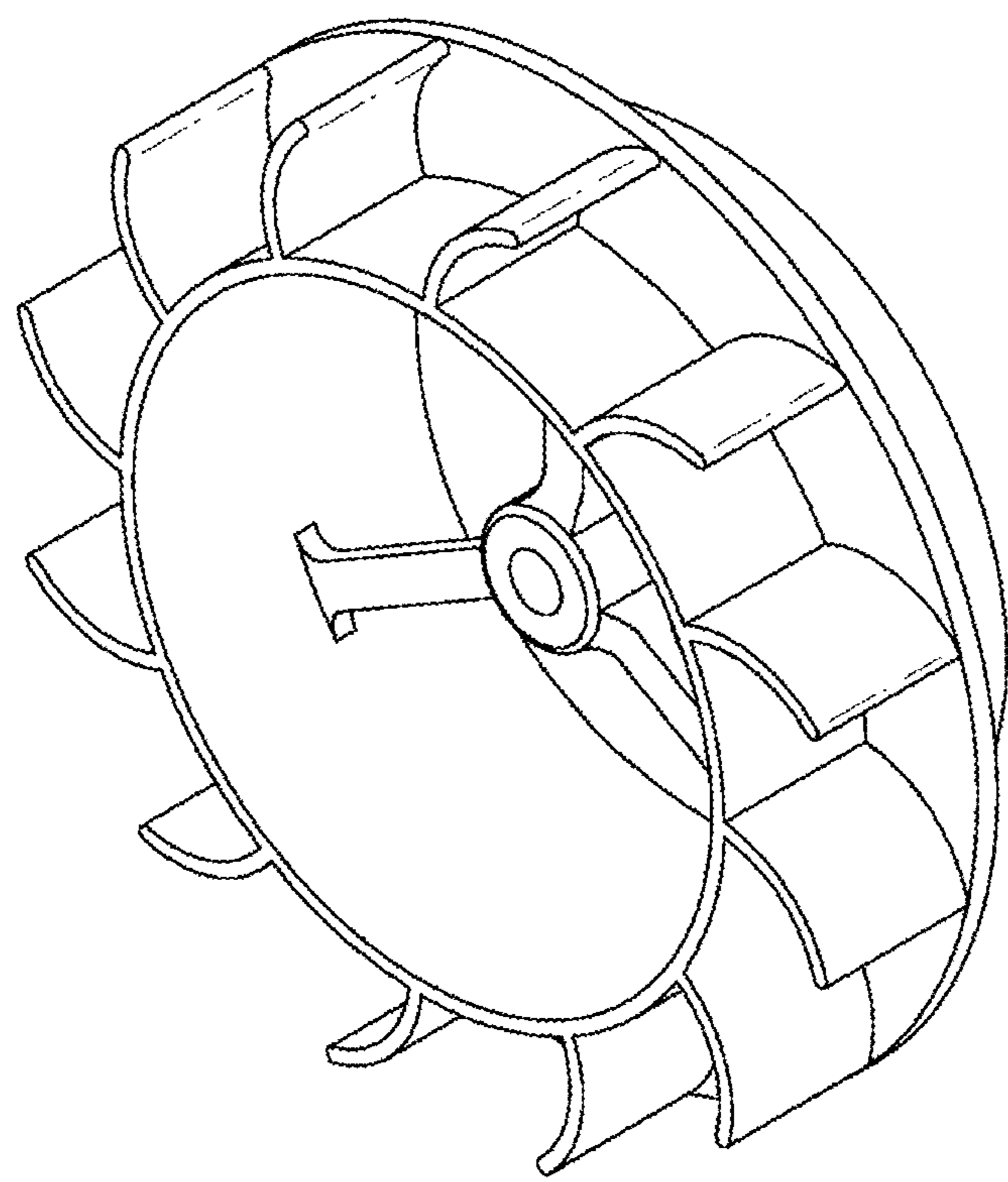
D574,077 S *	7/2008	Hornng	D23/379
D575,749 S *	8/2008	Hwang	D13/179
D577,807 S *	9/2008	Kenyon	D23/379
D579,883 S *	11/2008	Hwang	D13/179
D630,721 S *	1/2011	Kenyon	D23/379
D634,833 S *	3/2011	Stagg	D23/370
D645,950 S *	9/2011	Kenyon	D23/379
D694,874 S *	12/2013	Lin	D23/413
D701,300 S *	3/2014	Tanabe	D23/379
D702,829 S *	4/2014	Chen	D23/379
D704,323 S *	5/2014	Rasmussen	D23/379
D745,955 S *	12/2015	Chen	D23/379
D755,134 S *	5/2016	Andre	D13/179
D756,500 S *	5/2016	Rasmussen	D23/379
D800,890 S *	10/2017	Hamada	D23/370
D860,956 S *	9/2019	Chiu	D13/179
D900,994 S *	11/2020	Angel	D23/413

* cited by examiner
Primary Examiner — Natasha Vujcic

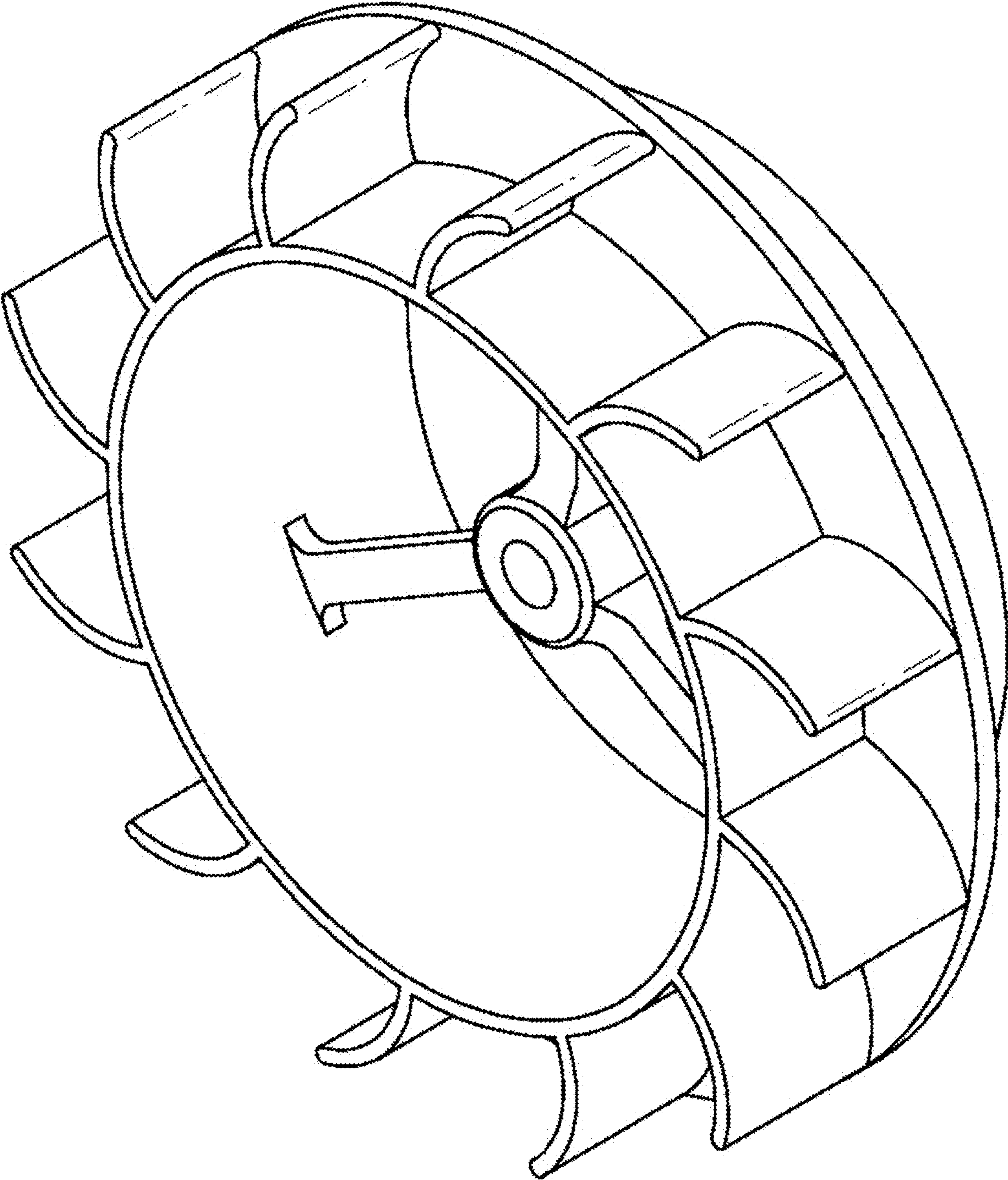
(57) **CLAIM**
The ornamental design for fan impeller, as shown and described.

DESCRIPTION
1. Fan impeller
1.1 : Perspective
1.2 : Front
1.3 : Back
1.4 : Top
1.5 : Bottom
1.6 : Left
1.7 : Right

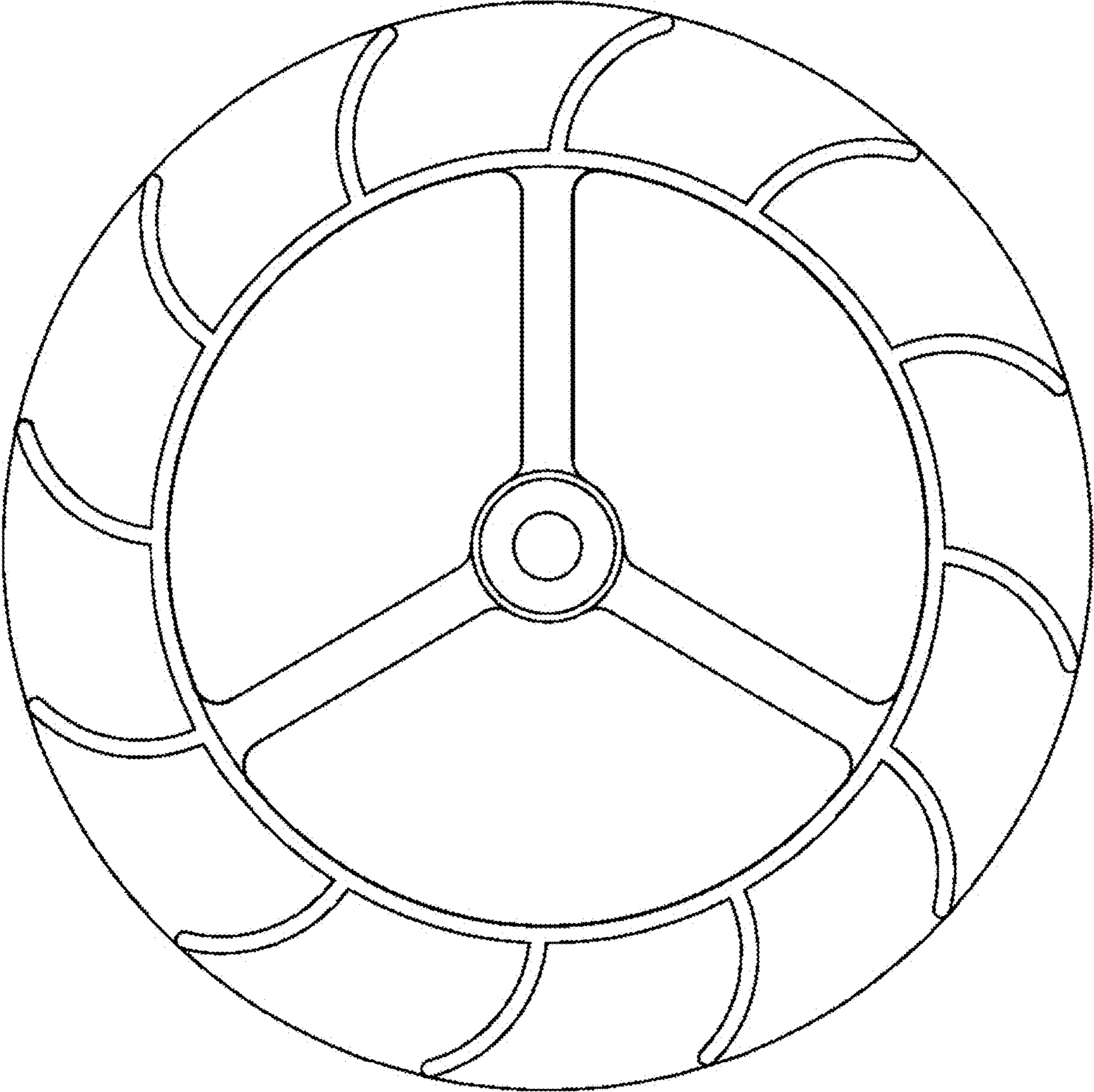
1 Claim, 7 Drawing Sheets



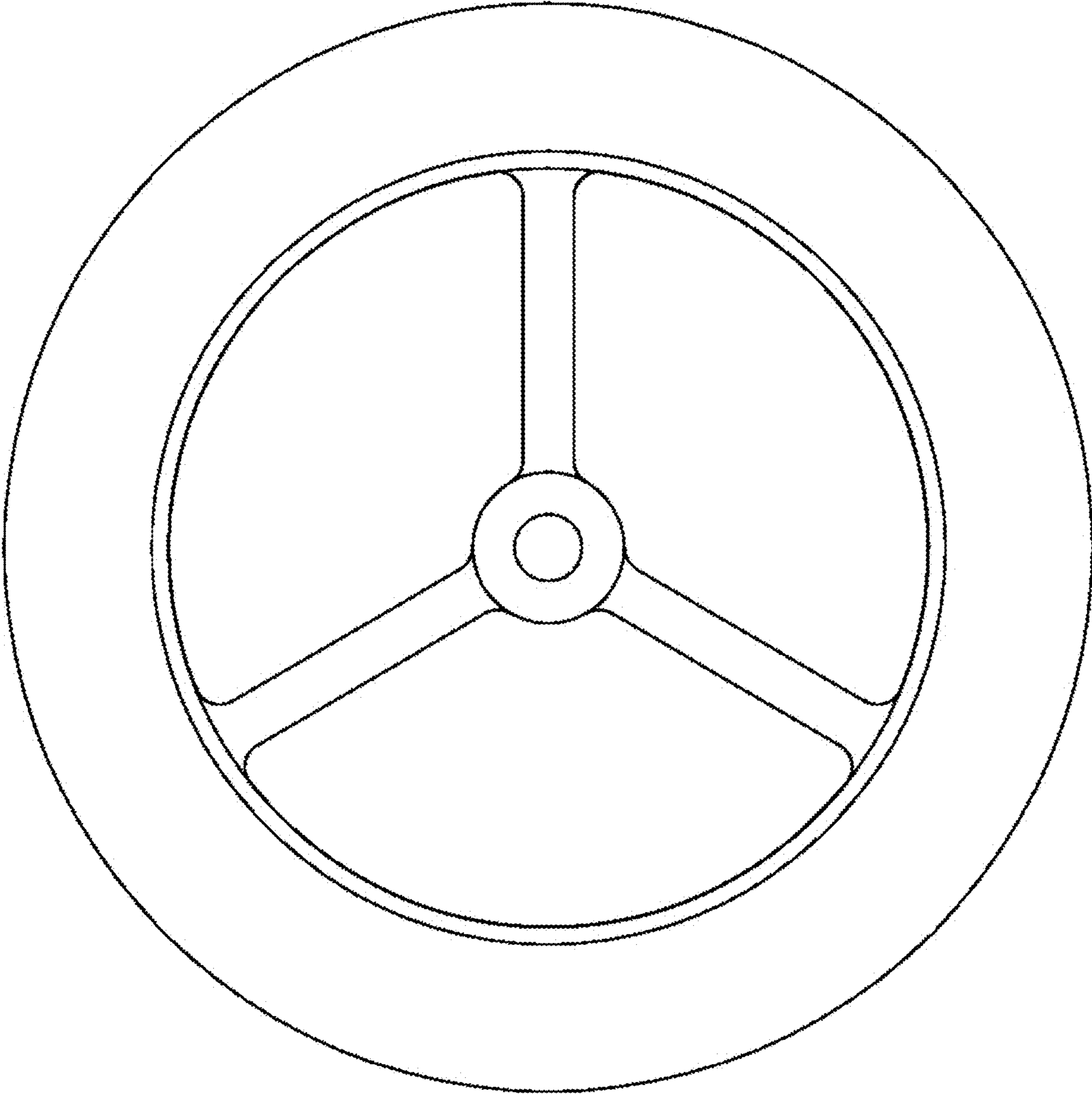
1.1



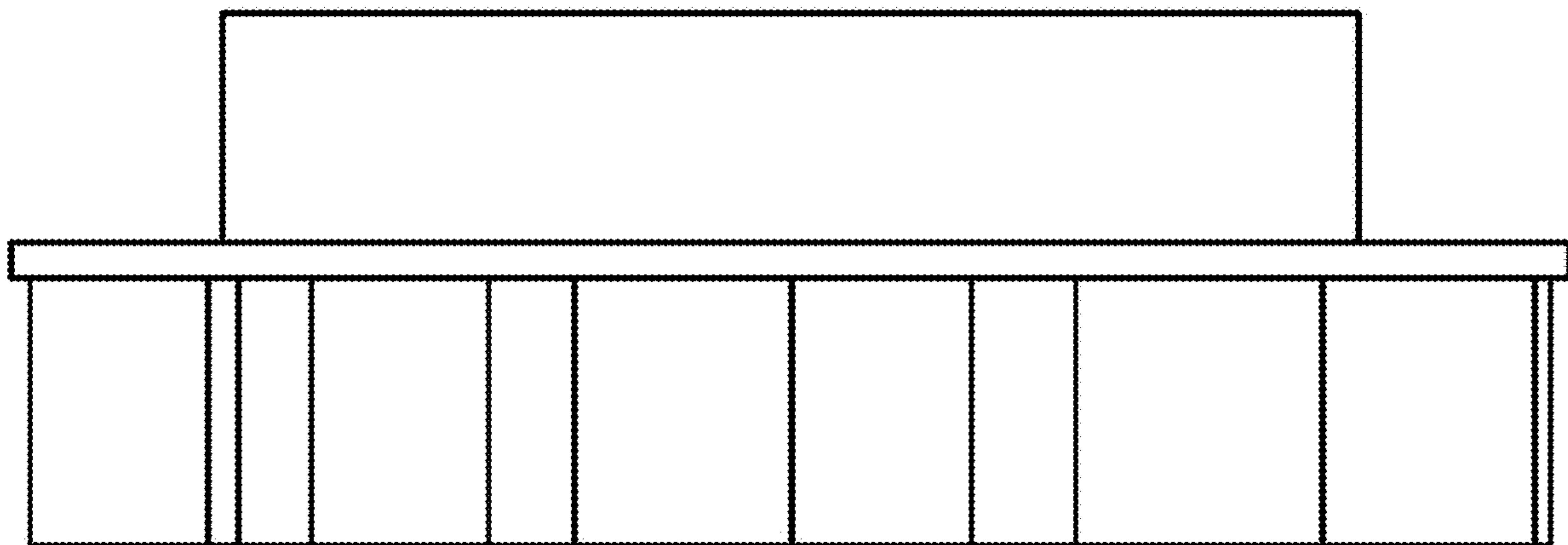
1.2



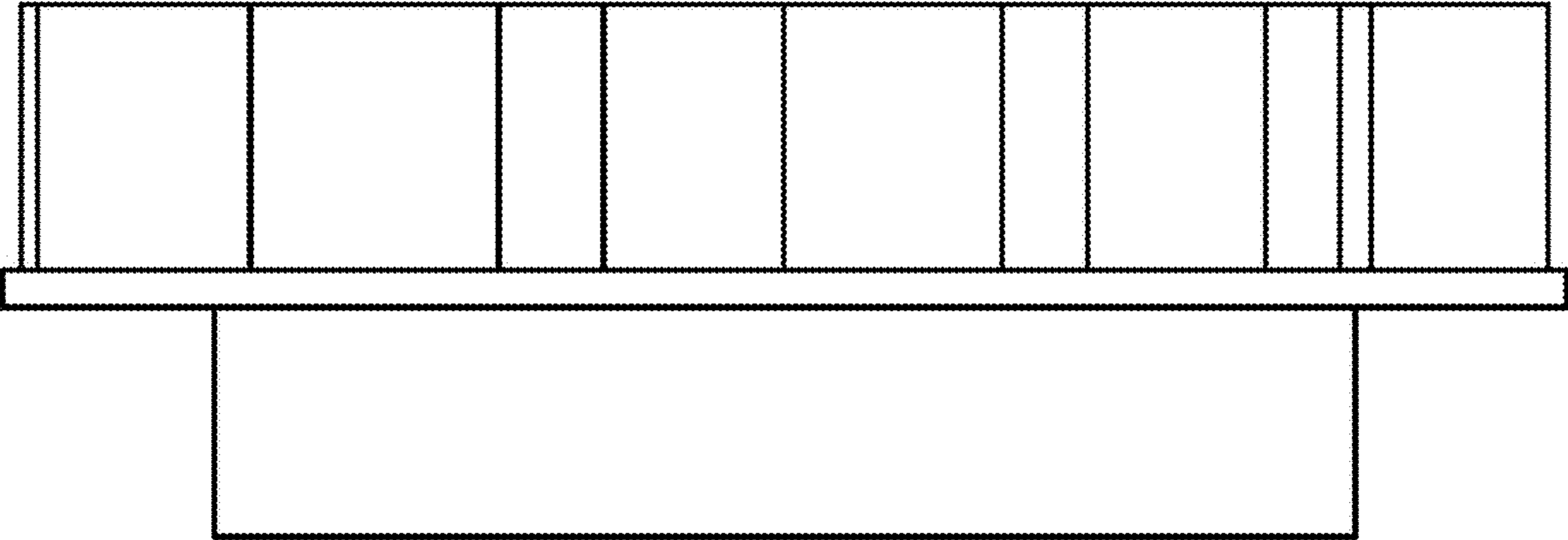
1.3



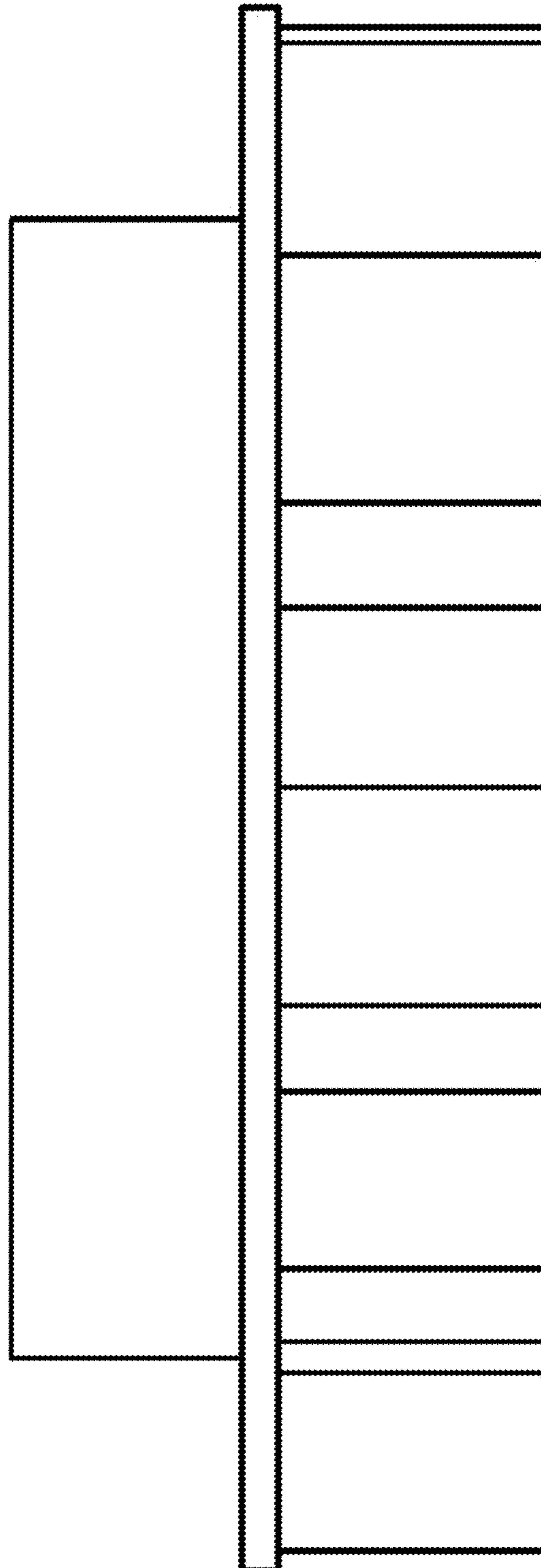
1.4



1.5



1.6



1.7

