



US00D921871S

(12) **United States Design Patent**
Oh

(10) **Patent No.:** **US D921,871 S**

(45) **Date of Patent:** **** Jun. 8, 2021**

(54) **FAN IMPELLER**

(71) Applicant: **TORNADO SYSTEMS CO., LTD.**,
Seongnam-si (KR)

(72) Inventor: **Hee Bum Oh**, Yongin-si (KR)

(**) Term: **15 Years**

(21) Appl. No.: **35/508,723**

(22) Filed: **Sep. 3, 2019**

(80) **Hague Agreement Data**

Int. Filing Date: **Sep. 3, 2019**

Int. Reg. No.: **DM/205444**

Int. Reg. Date: **Sep. 3, 2019**

Int. Reg. Pub. Date: **Mar. 6, 2020**

(51) **LOC (13) Cl.** **23-04**

(52) **U.S. Cl.**
USPC **D23/379; D13/179**

(58) **Field of Classification Search**
USPC D23/370-385, 411-414; D13/179
CPC F04D 25/088; F04D 25/06; F04D 29/38;
F04D 29/522; F04D 29/5853; F04D
29/326; F01P 5/02
See application file for complete search history.

(56) **References Cited**

U.S. PATENT DOCUMENTS

D563,544 S * 3/2008 Hwang D23/413
D571,000 S * 6/2008 Bei D23/413

D574,077 S * 7/2008 Horng D23/379
D575,749 S * 8/2008 Hwang D13/179
D577,807 S * 9/2008 Kenyon D23/379
D579,883 S * 11/2008 Hwang D13/179
D630,721 S * 1/2011 Kenyon D23/379
D634,833 S * 3/2011 Stagg D23/370
D645,950 S * 9/2011 Kenyon D23/379
D694,874 S * 12/2013 Lin D23/413
D701,300 S * 3/2014 Tanabe D23/379
D702,829 S * 4/2014 Chen D23/379
D704,323 S * 5/2014 Rasmussen D23/379
D745,955 S * 12/2015 Chen D23/379
D755,134 S * 5/2016 Andre D13/179
D756,500 S * 5/2016 Rasmussen D23/379
D800,890 S * 10/2017 Hamada D23/370
D860,956 S * 9/2019 Chiu D13/179
D900,994 S * 11/2020 Angel D23/413

* cited by examiner

Primary Examiner — Natasha Vujcic

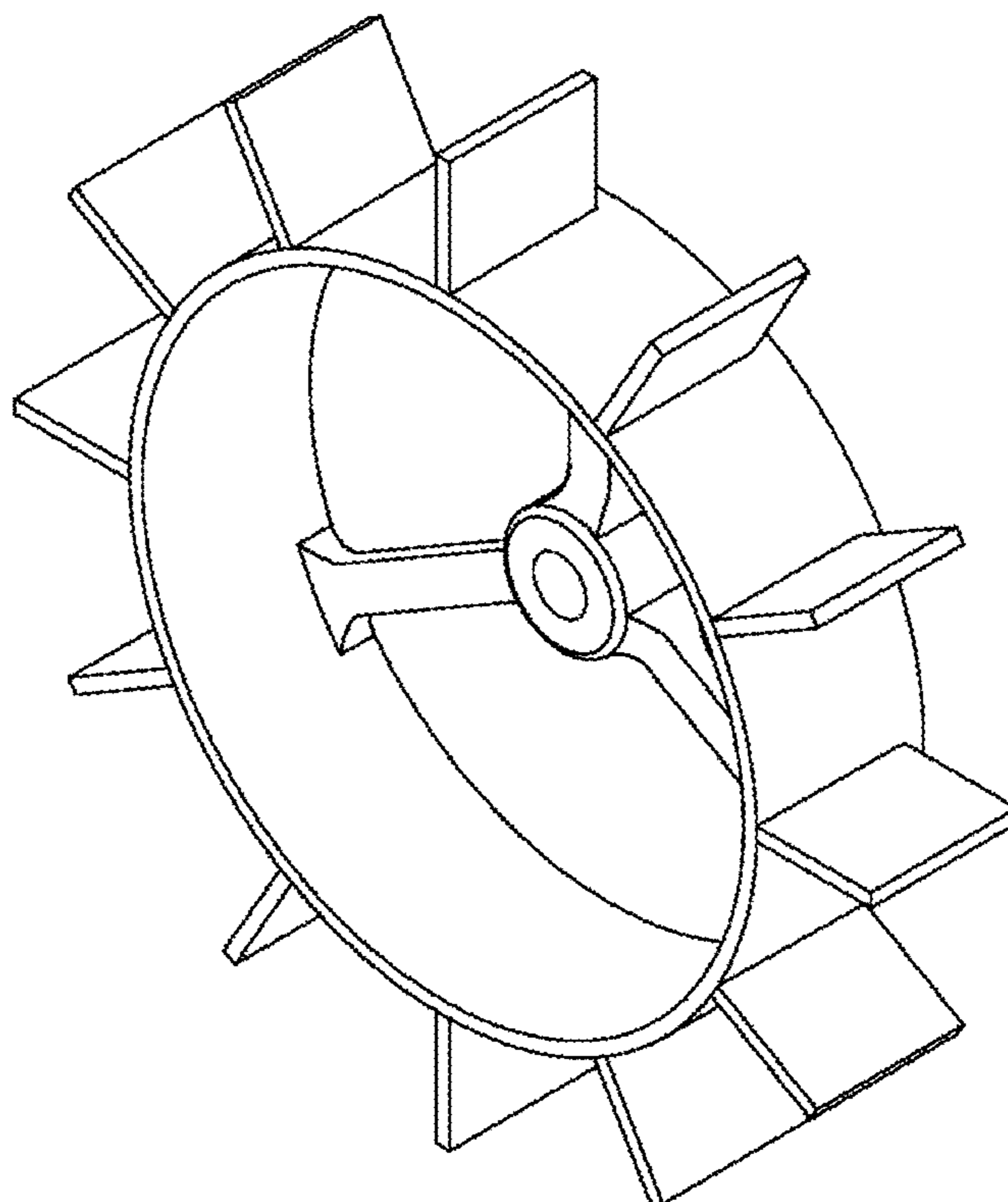
(57) **CLAIM**

The ornamental design for a fan impeller, as shown and described.

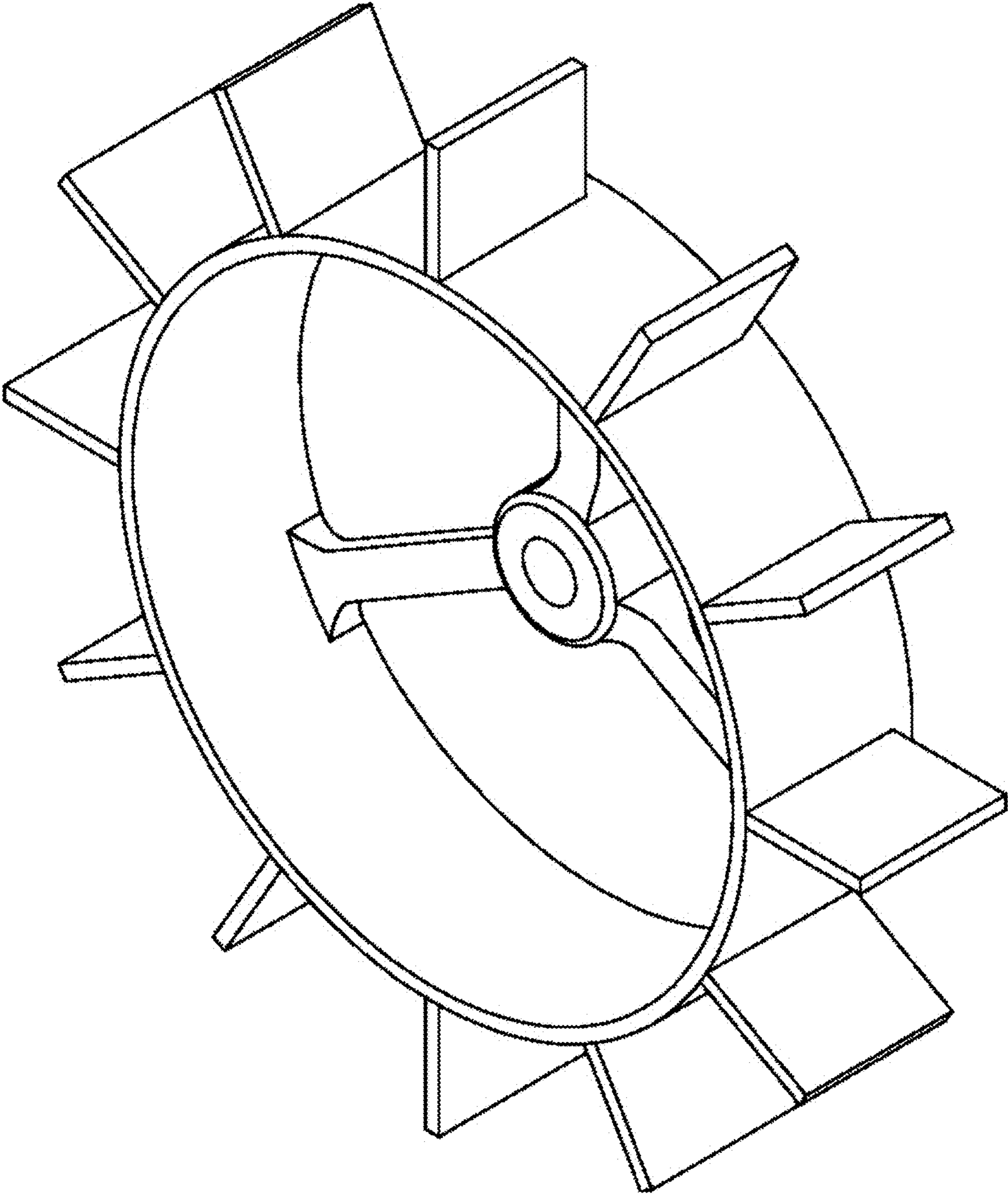
DESCRIPTION

- 1. Fan impeller
- 1.1 : Perspective
- 1.2 : Front
- 1.3 : Back
- 1.4 : Top
- 1.5 : Bottom
- 1.6 : Left

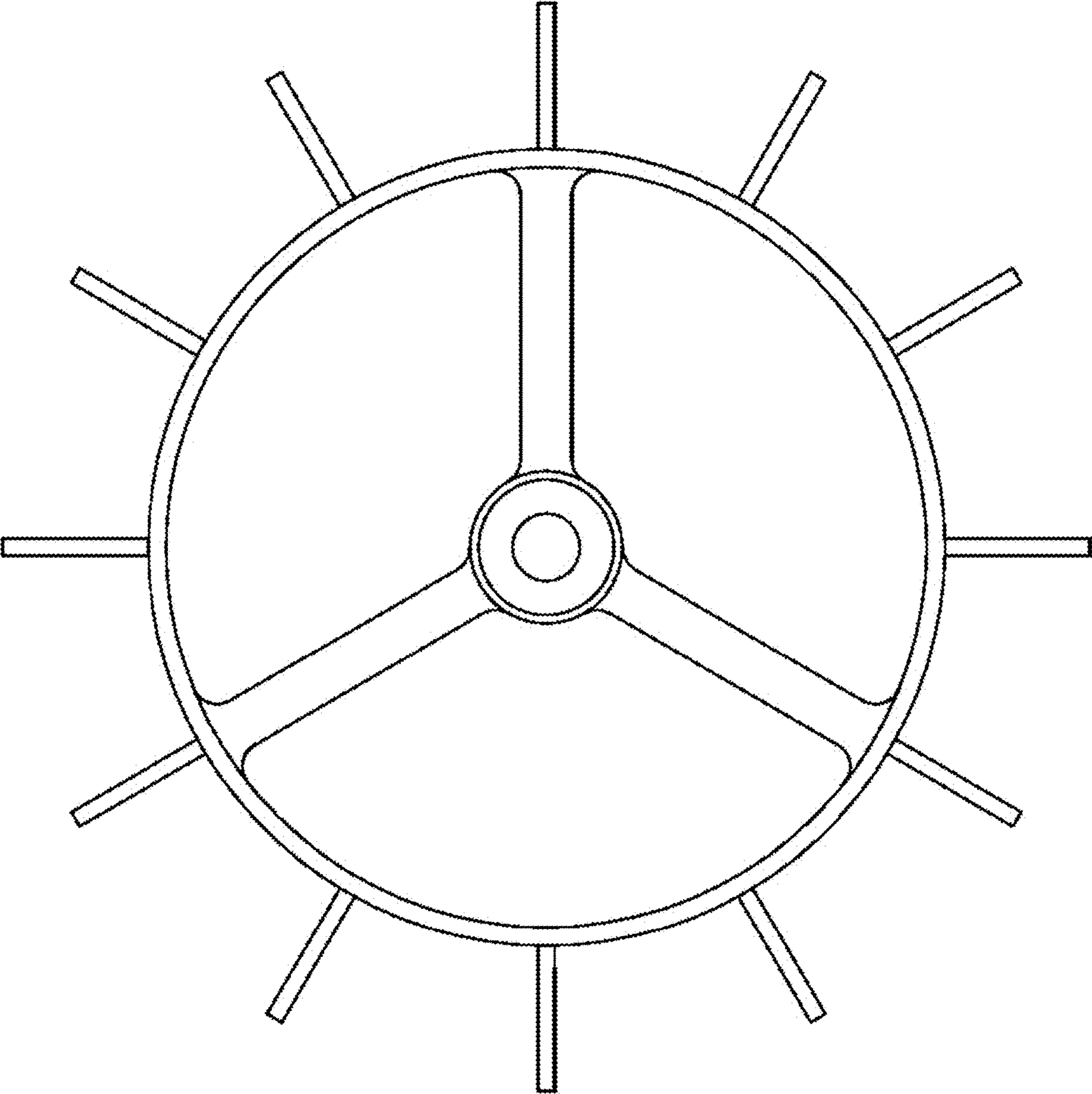
1 Claim, 6 Drawing Sheets



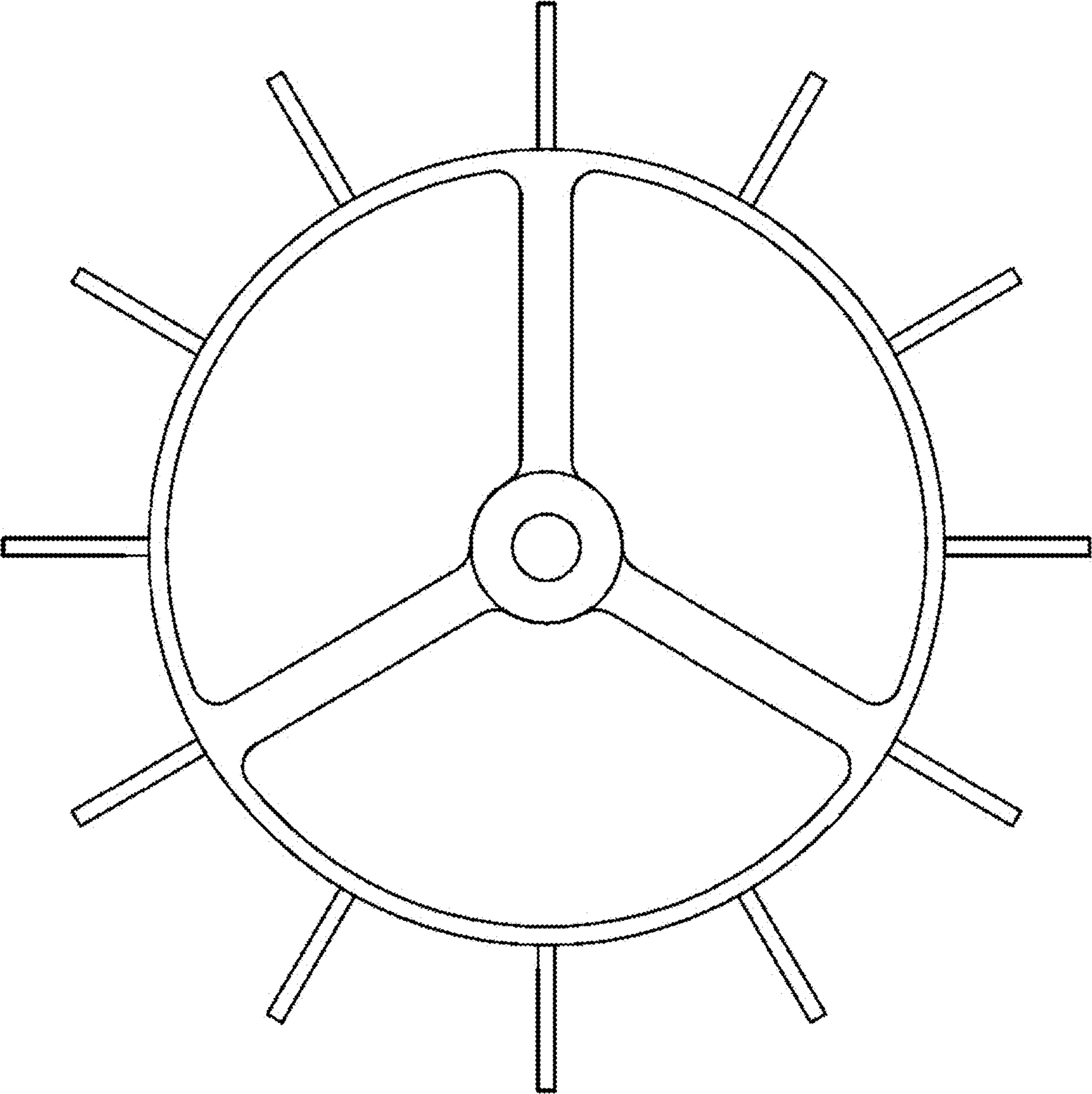
1.1



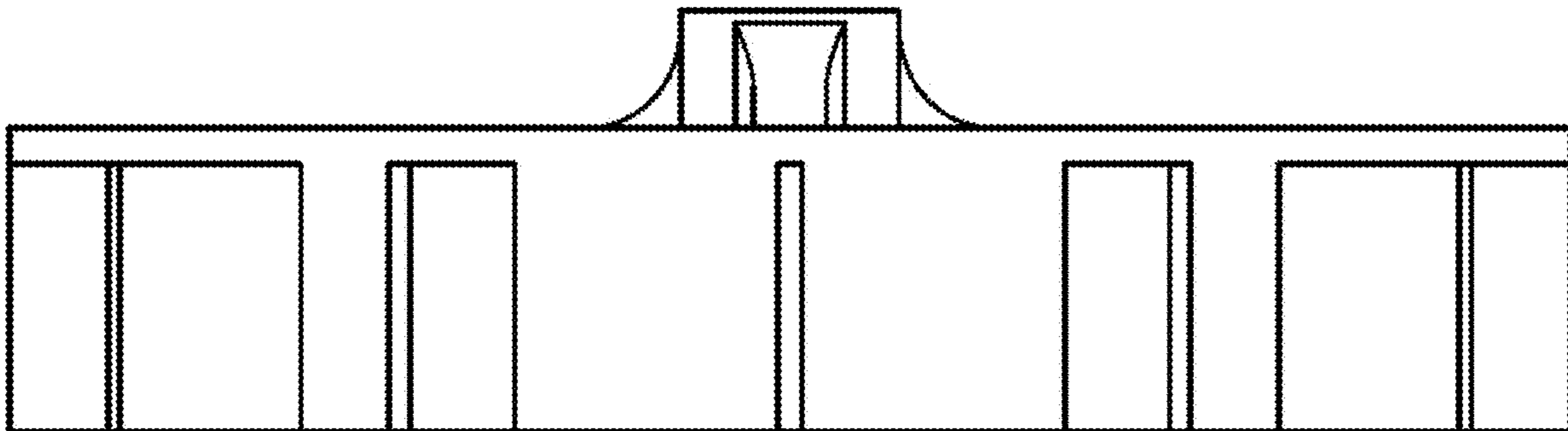
1.2



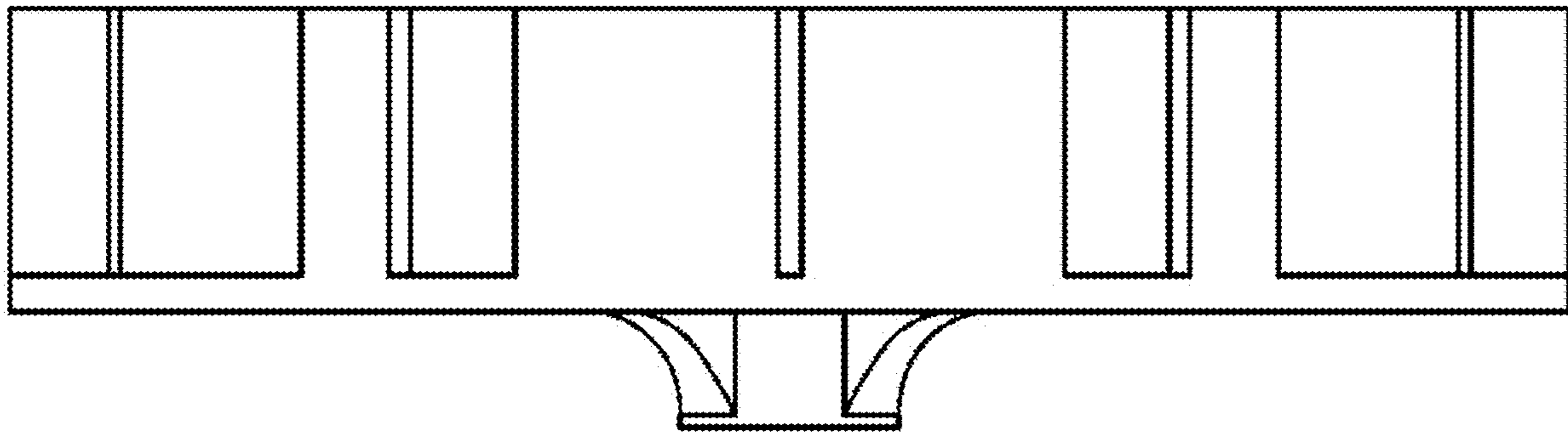
1.3



1.4



1.5



1.6

