



US00D921870S

(12) **United States Design Patent**
Cohen

(10) **Patent No.:** **US D921,870 S**

(45) **Date of Patent:** **** Jun. 8, 2021**

(54) **SPORTS CEILING FAN**

(71) Applicant: **Paul Cohen**, Riverview, FL (US)

(72) Inventor: **Paul Cohen**, Riverview, FL (US)

(**) Term: **15 Years**

(21) Appl. No.: **29/669,439**

(22) Filed: **Nov. 8, 2018**

(51) **LOC (13) Cl.** **23-04**

(52) **U.S. Cl.**

USPC **D23/377; D23/385**

(58) **Field of Classification Search**

USPC D23/377, 370-376, 378-394, 411-414,
D23/499; D26/51, 59, 72, 79, 92, 124,
D26/57, 73, 94, 125; D29/106

CPC F04D 25/088; F04D 29/322; F04D 29/324;
F04D 29/388; F04D 29/601; F21V
21/104; F21V 33/0096

See application file for complete search history.

(56) **References Cited**

U.S. PATENT DOCUMENTS

2,079,942	A *	5/1937	Le Velle	F04D 29/364
					416/87
5,028,206	A *	7/1991	Kendregan	F04D 25/088
					362/96
D355,394	S *	2/1995	Bezener	D11/133
5,437,540	A *	8/1995	Blocker	F04D 25/088
					310/232
D371,325	S *	7/1996	Fritsche	D11/211
D373,185	S *	8/1996	Tseng	D23/377
D373,628	S *	9/1996	DiSandro	D23/377
D382,953	S *	8/1997	Kuo	D23/377
D383,528	S *	9/1997	Collmar	D23/377
D386,258	S *	11/1997	Pearce	D23/377
D386,276	S *	11/1997	Pearce	D11/157
D390,649	S *	2/1998	Pearce	D23/377
D398,980	S *	9/1998	Pearce	D23/377
D412,376	S *	7/1999	Jurga	D29/106

D417,495	S *	12/1999	Yang	D23/377
D420,733	S *	2/2000	Chen	D23/377
6,037,876	A *	3/2000	Crouch	G09F 9/33
					340/815.53
D445,888	S *	7/2001	Lee	D23/377
D456,813	S *	5/2002	Hays	D14/480.2
D478,655	S *	8/2003	Gajewski	D23/413
D479,317	S *	9/2003	Gajewski	D23/377
D487,580	S *	3/2004	Lee	D20/29
D488,883	S *	4/2004	Davis	D26/94
D505,455	S *	5/2005	Lee	D20/29
D518,344	S *	4/2006	Lee	D8/38
D575,432	S *	8/2008	Nunes	D26/62
D575,434	S *	8/2008	Nunes	D26/73

(Continued)

OTHER PUBLICATIONS

Ultimate Hockey Fans. (online ige) 1 pg. [retrieved Jul. 7, 2020]
<https://www.lowes.com/pd/Ultimate-Hockey-Fans-Minnesota-Wild-Goalie-4-Blade-NHL-Licensed-All-4-Themed-Ceiling-Fan/1002913668> img. URL: http://mobileimages.lowes.com/product/converted/100291/1002913668_16002871.jpg?size=pdhi.*

Primary Examiner — Marie D. Fast Horse

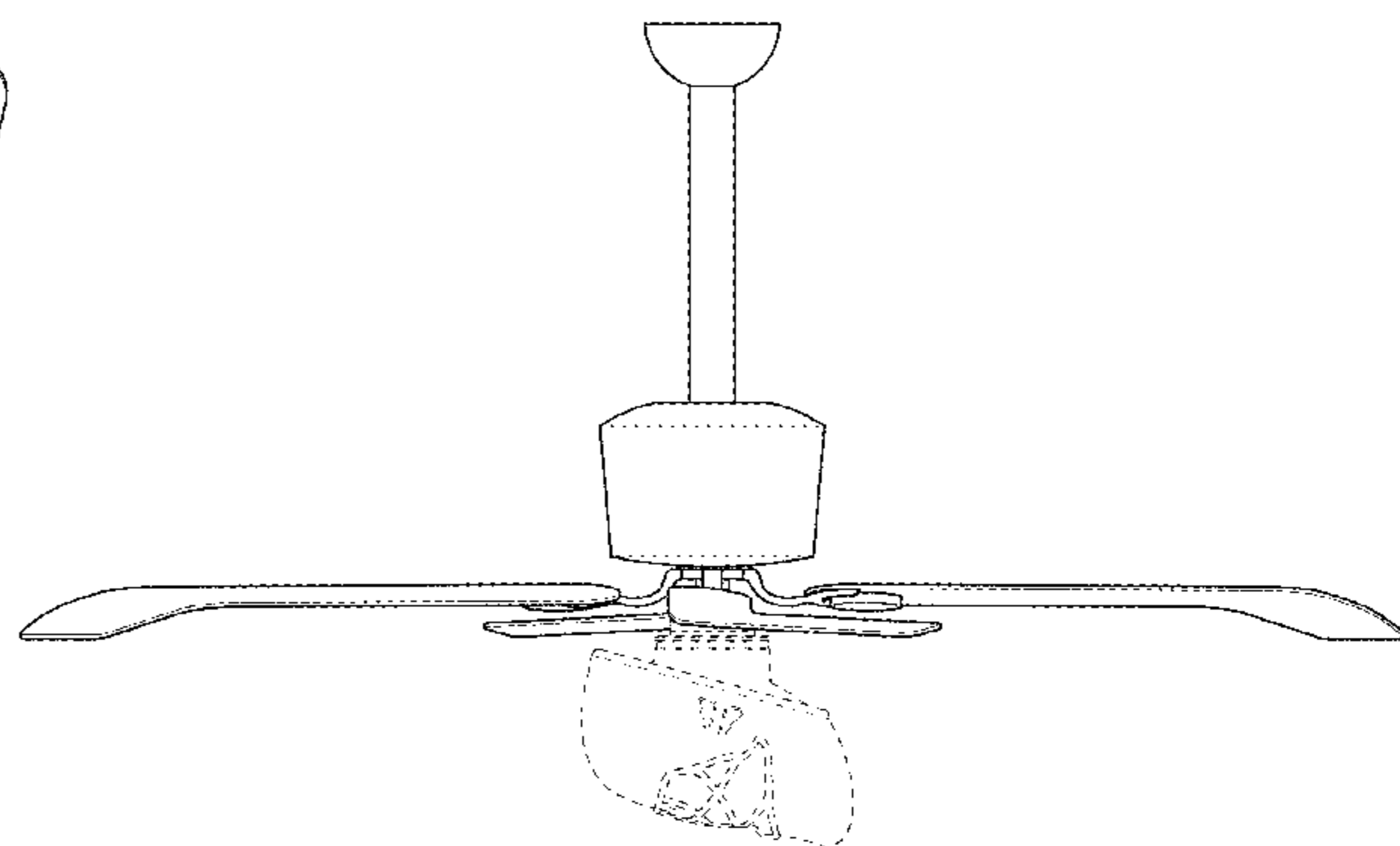
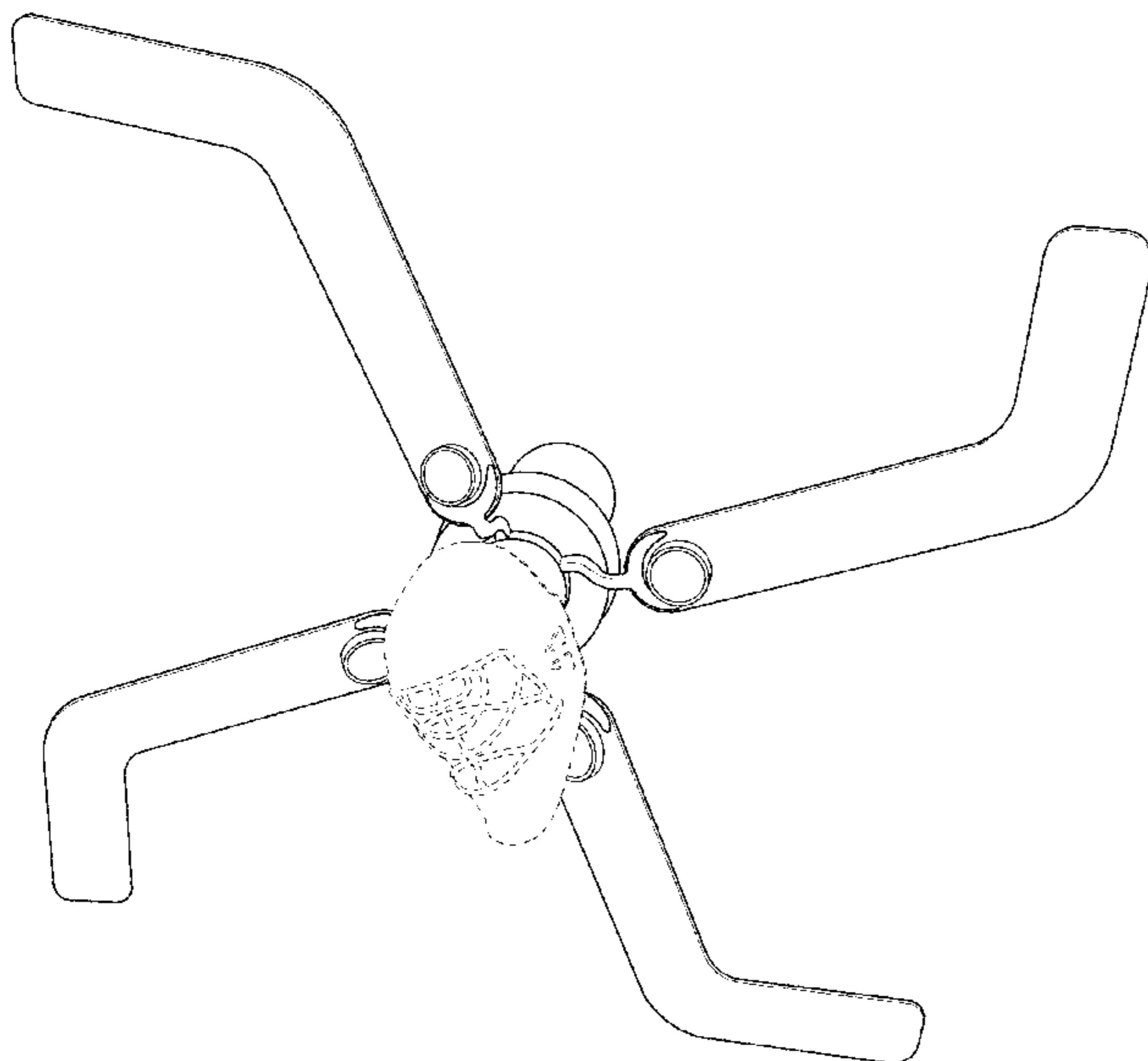
(57) **CLAIM**

The ornamental design for a sports ceiling fan, as shown and described.

DESCRIPTION

FIG. 1 is a bottom perspective view of a sports ceiling fan showing my design;
FIG. 2 is a top plan view thereof;
FIG. 3 is a bottom plan view thereof;
FIG. 4 is a left side elevational view thereof;
FIG. 5 is a right side elevational view thereof;
FIG. 6 is a bottom elevational view thereof; and,
FIG. 7 is a top elevational view thereof.
The broken lines in the drawings depict portions of the sports ceiling fan that form no part of the claimed design.

1 Claim, 7 Drawing Sheets



(56)

References Cited

U.S. PATENT DOCUMENTS

D631,955 S * 2/2011 Villella D23/411
9,255,584 B2 * 2/2016 Villella F21V 33/0096
D812,214 S * 3/2018 Townsell D23/377
D833,058 S * 11/2018 Smith D26/94
D861,961 S * 10/2019 Smith D26/94
2006/0140769 A1 * 6/2006 Frampton F04D 25/088
416/210 R
2020/0109714 A1 * 4/2020 Whittington F04D 29/582
2020/0109865 A1 * 4/2020 Whittington F04D 29/388

* cited by examiner

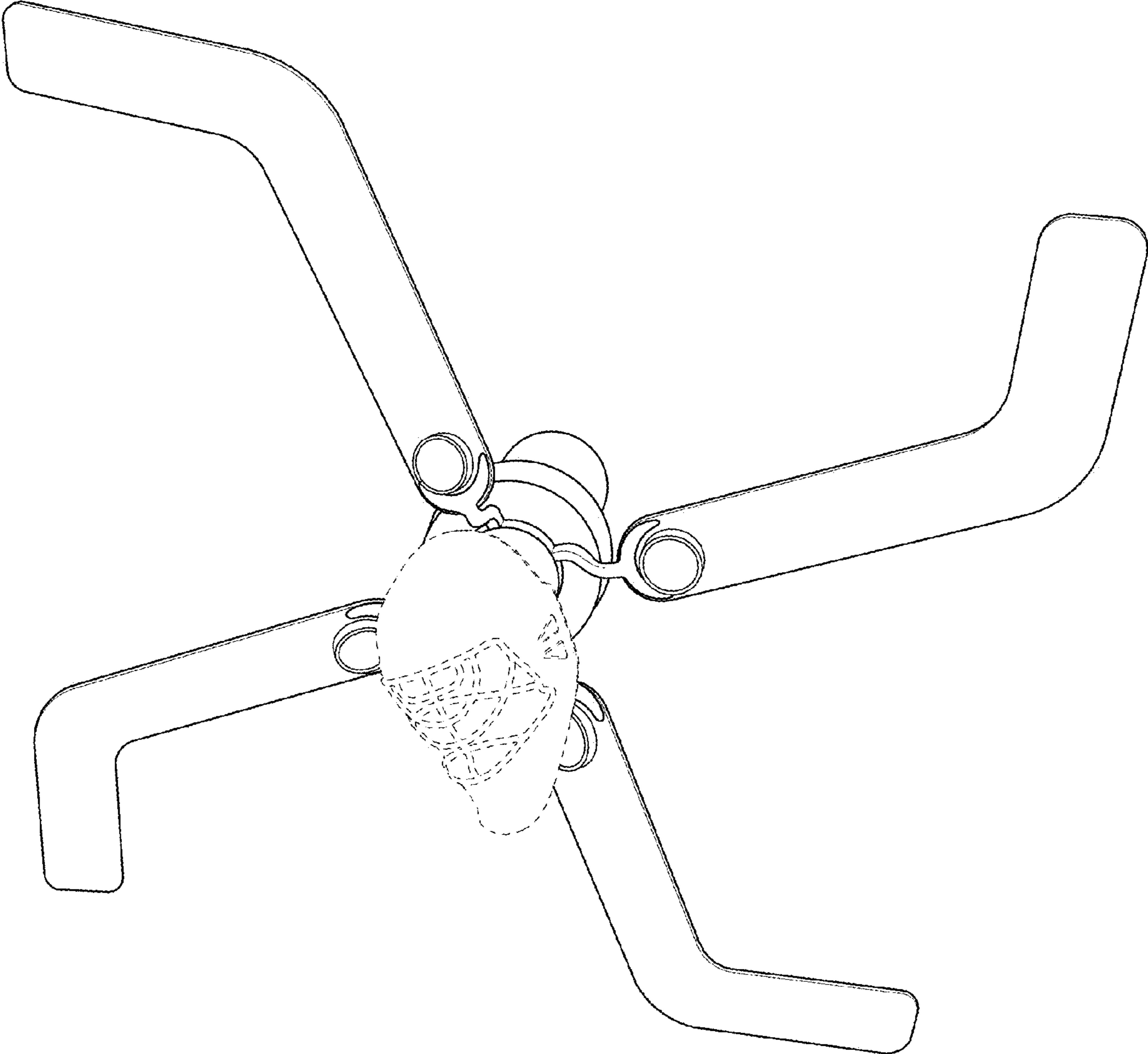


FIG. 1

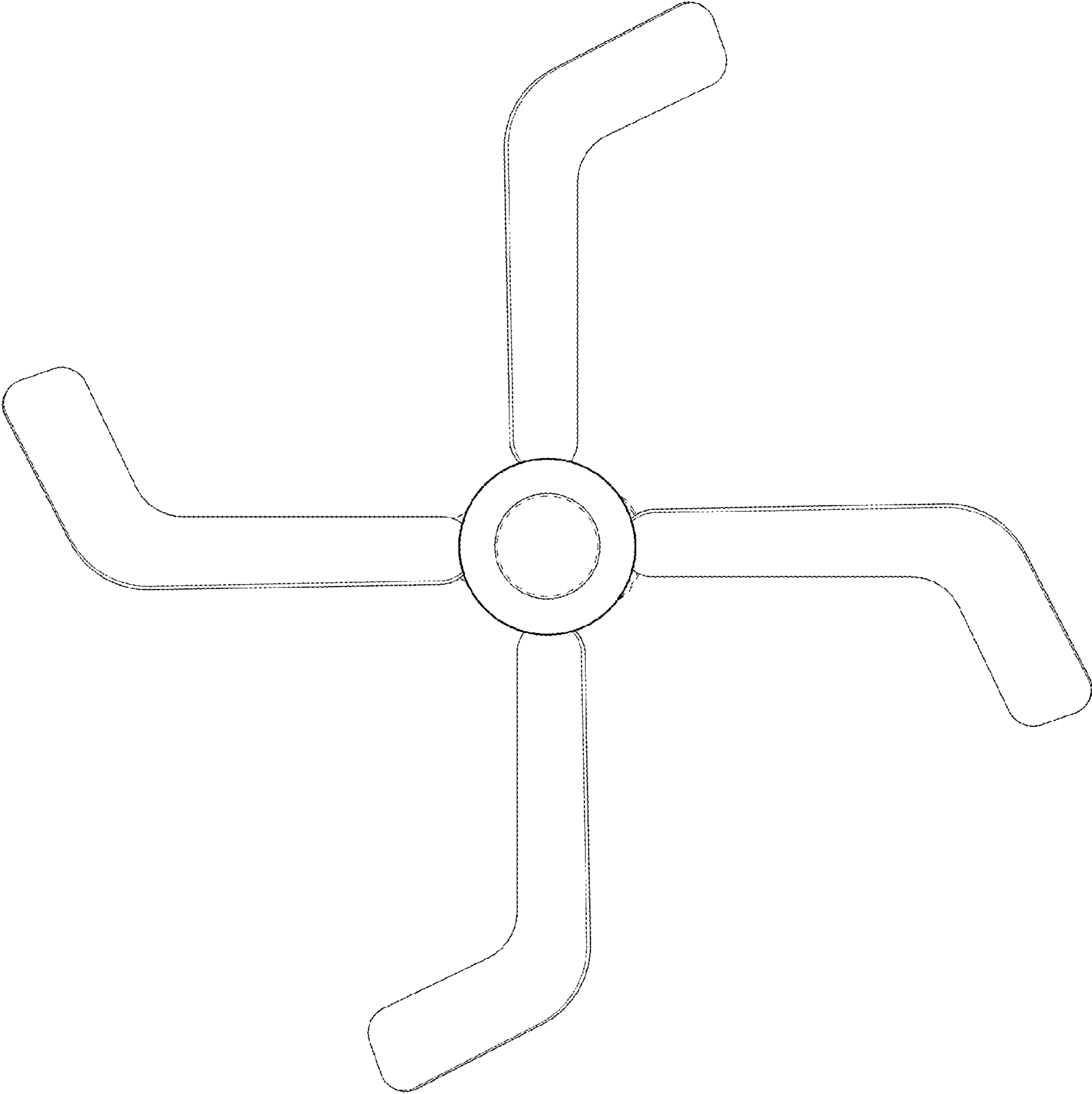


FIG. 2

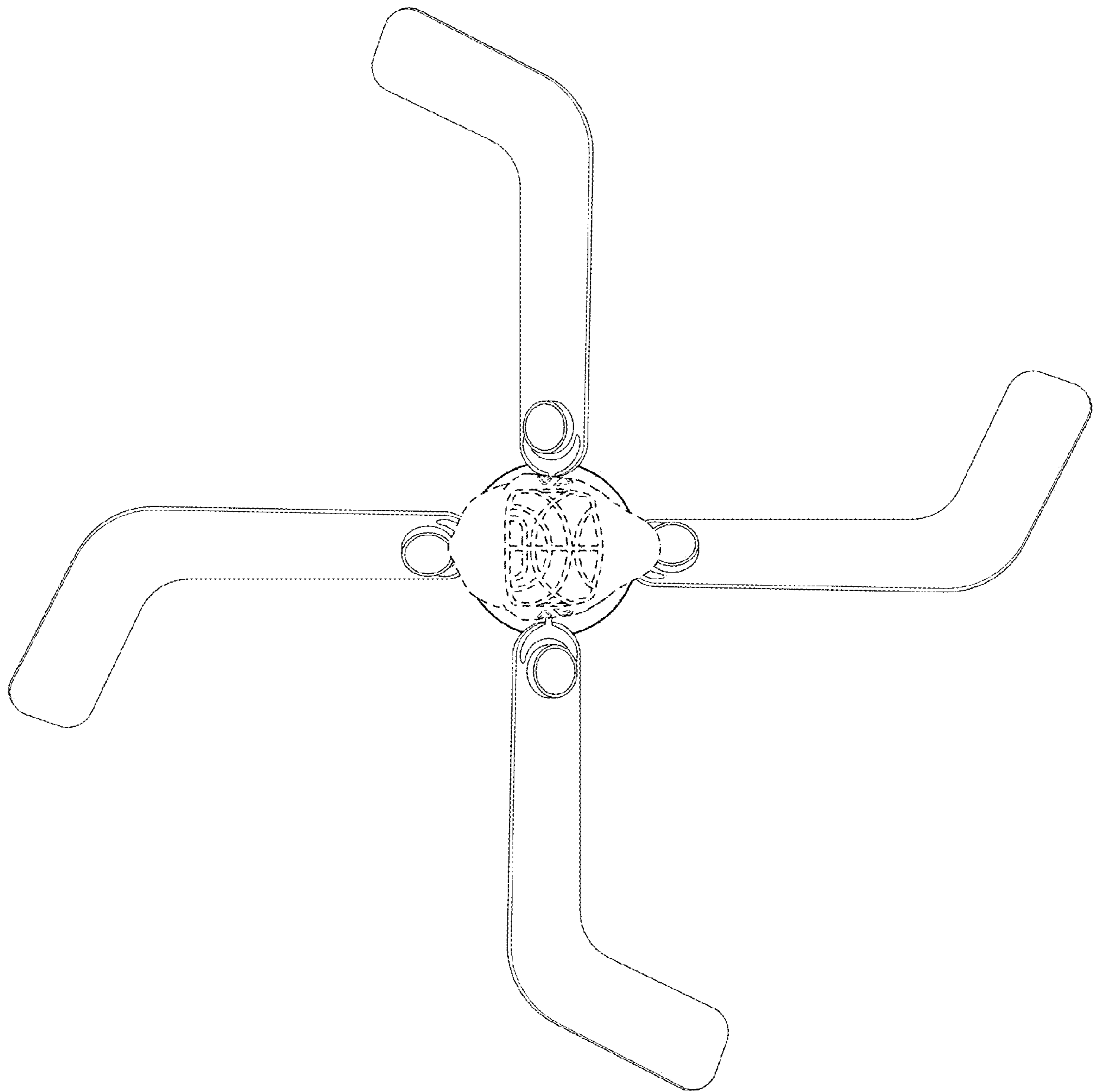


FIG. 3

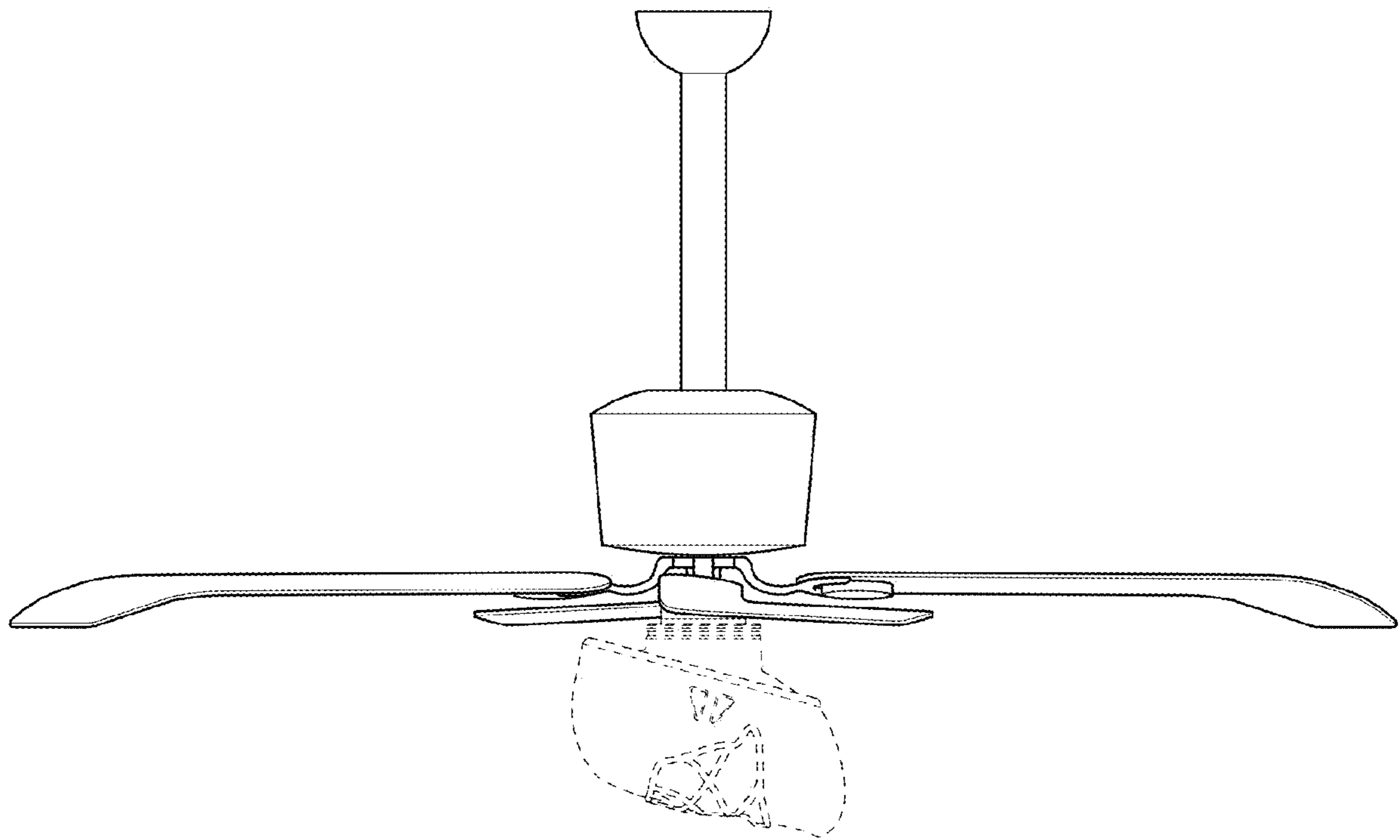


FIG. 4

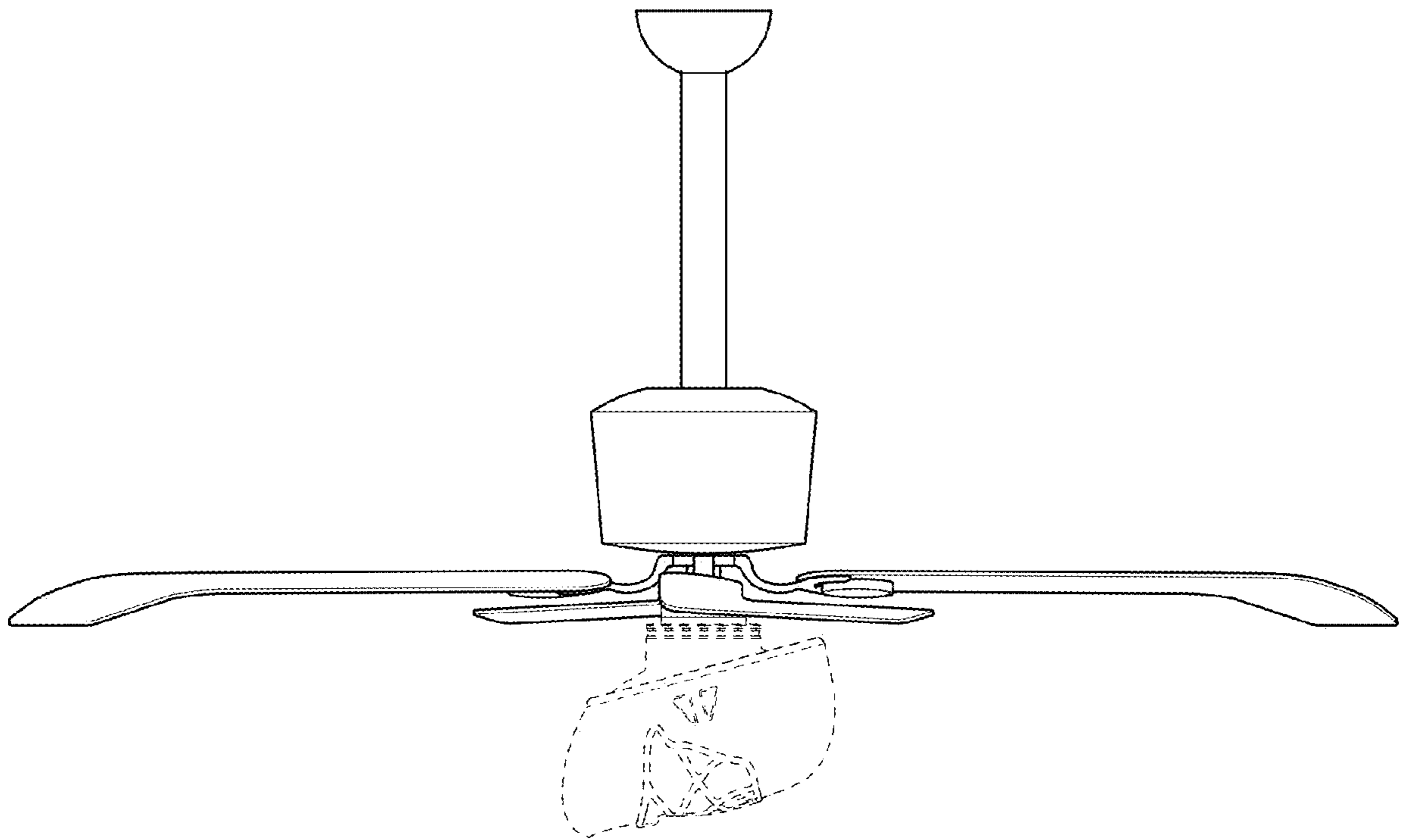


FIG. 5

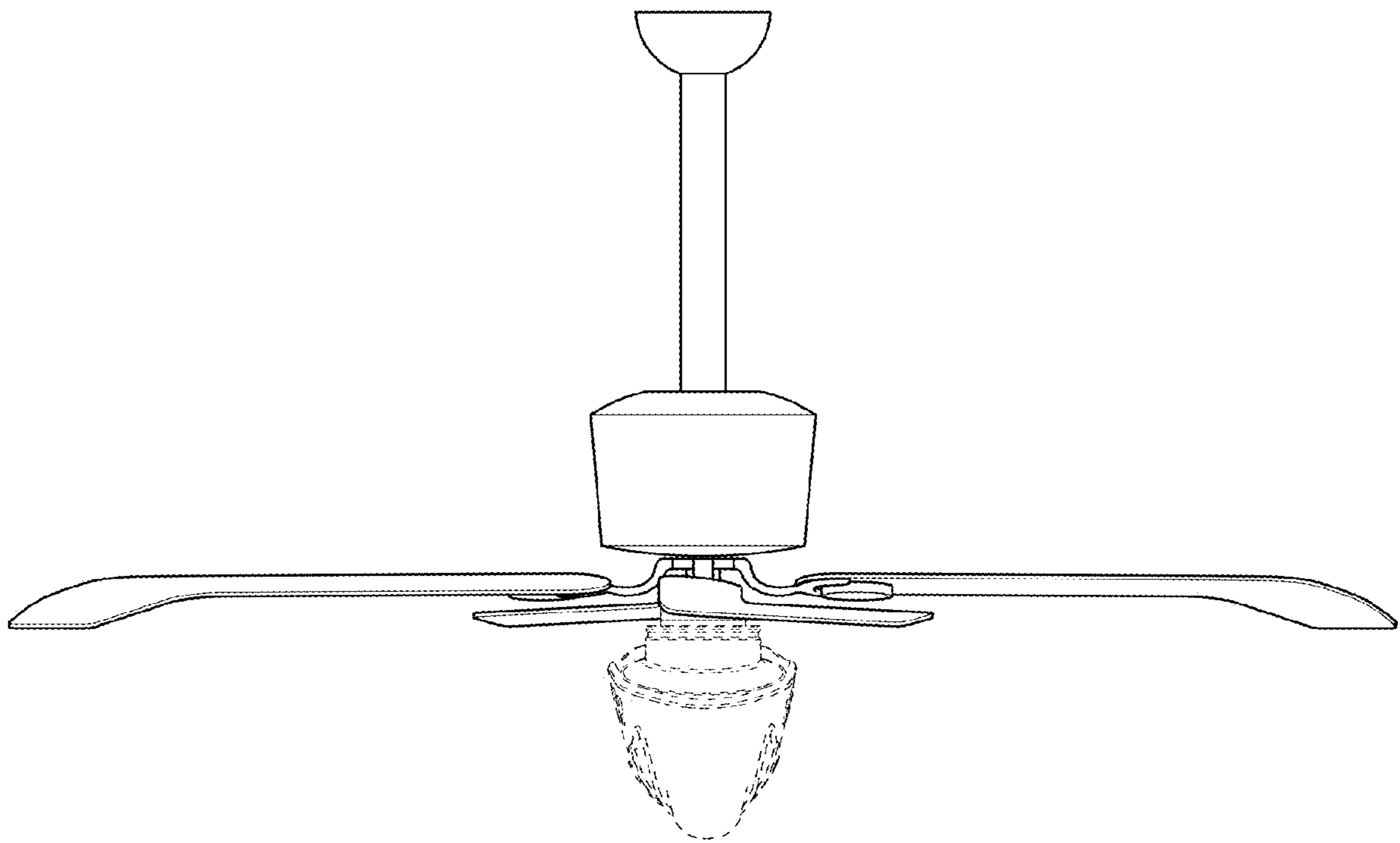


FIG. 6

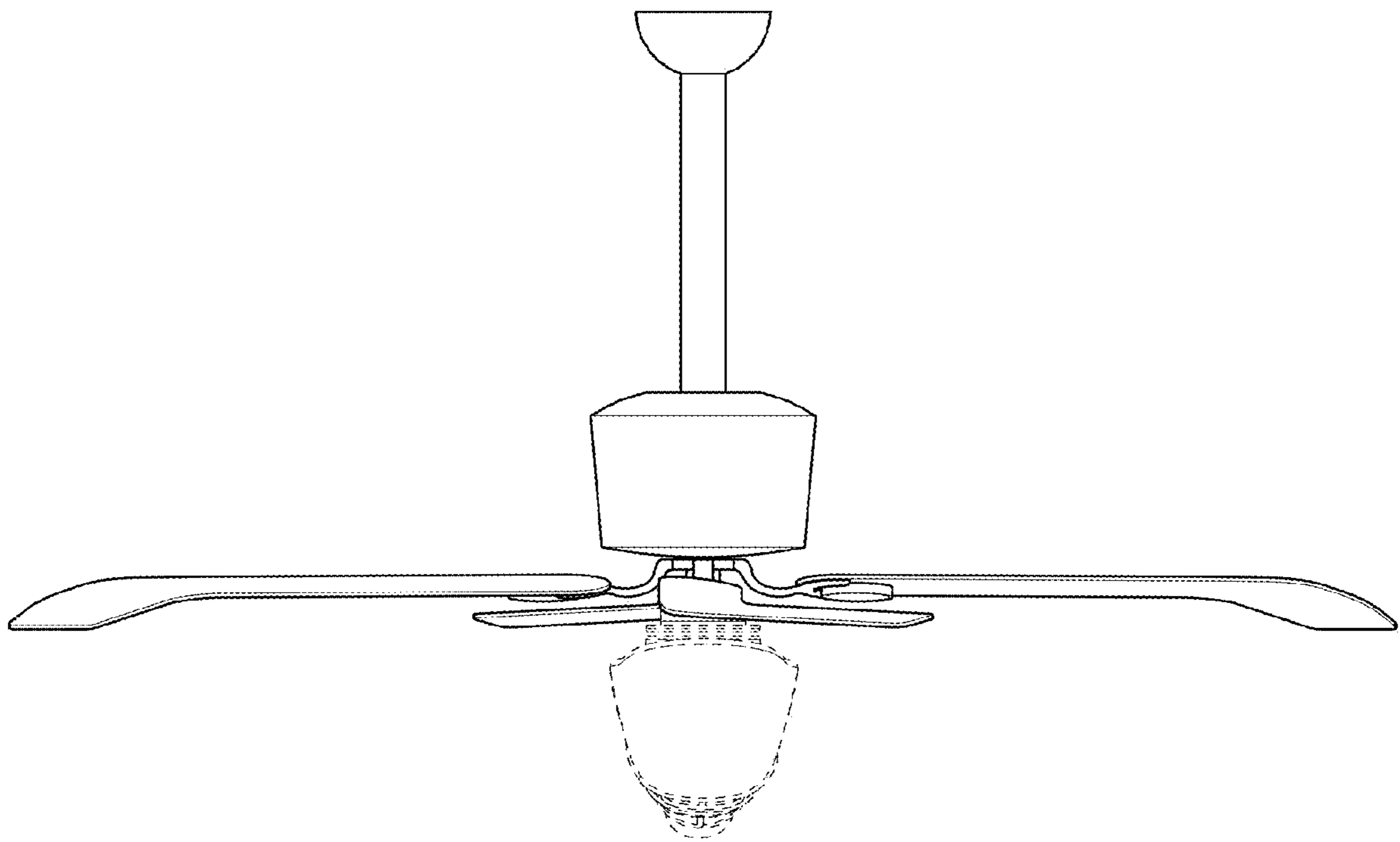


FIG. 7