



US00D921866S

(12) **United States Design Patent** (10) **Patent No.:** **US D921,866 S**
Choi et al. (45) **Date of Patent:** **** Jun. 8, 2021**

(54) **AIR PURIFIER**
(71) Applicant: **COWAY Co., Ltd.**, Gongju-si (KR)
(72) Inventors: **Jong Ho Choi**, Seoul (KR); **Sul Ki Lee**, Seoul (KR); **Ga Hee Kim**, Seoul (KR)

D324,419 S 3/1992 Kanazawa
D337,440 S * 7/1993 Tihany D6/349
D361,373 S 8/1995 Muller
D361,374 S 8/1995 Muller
D374,279 S 10/1996 Chiu et al.
D379,219 S 5/1997 Ellwood
D379,220 S 5/1997 Ellewood
D394,100 S 5/1998 Promseeda
(Continued)

(73) Assignee: **COWAY Co., Ltd.**, Gongju-si (KR)

(**) Term: **15 Years**

(21) Appl. No.: **29/697,037**

(22) Filed: **Jul. 3, 2019**

(30) **Foreign Application Priority Data**

Jan. 7, 2019 (KR) 30-2019-0000821

(51) **LOC (13) Cl.** **23-04**

(52) **U.S. Cl.**
USPC **D23/364**

(58) **Field of Classification Search**
USPC D23/355-366, 352, 369, 332, 333, 335,
D23/336, 342, 351; D6/708.22, 709, 349,
D6/365, 407, 657, 663, 675, 710;
422/120, 122; 55/356, 473, 504; 96/97;
D14/188, 170, 171, 172; 261/DIG. 17,
261/DIG. 65, DIG. 88, DIG. 31;
D18/34.6
CPC .. A61L 9/16; A61L 9/22; B01D 47/00; B01D
47/027; B01D 2221/02; B01D 2259/4508;
B03C 3/155; B03C 3/368; F24F 3/16;
F24F 13/20; F24F 13/28; F24F
2001/0096

See application file for complete search history.

(56) **References Cited**

U.S. PATENT DOCUMENTS

D305,929 S 2/1990 Ikeda et al.
D307,936 S 5/1990 Hirano et al.
D323,210 S 1/1992 Wortham

FOREIGN PATENT DOCUMENTS

AT 00010063-0001 2/1994
AT 00010064-0001 2/1994

(Continued)

OTHER PUBLICATIONS

U.S. Appl. No. 29/419,584.

(Continued)

Primary Examiner — David G Muller

(74) *Attorney, Agent, or Firm* — Oblon, McClelland,
Maier & Neustadt, L.L.P.

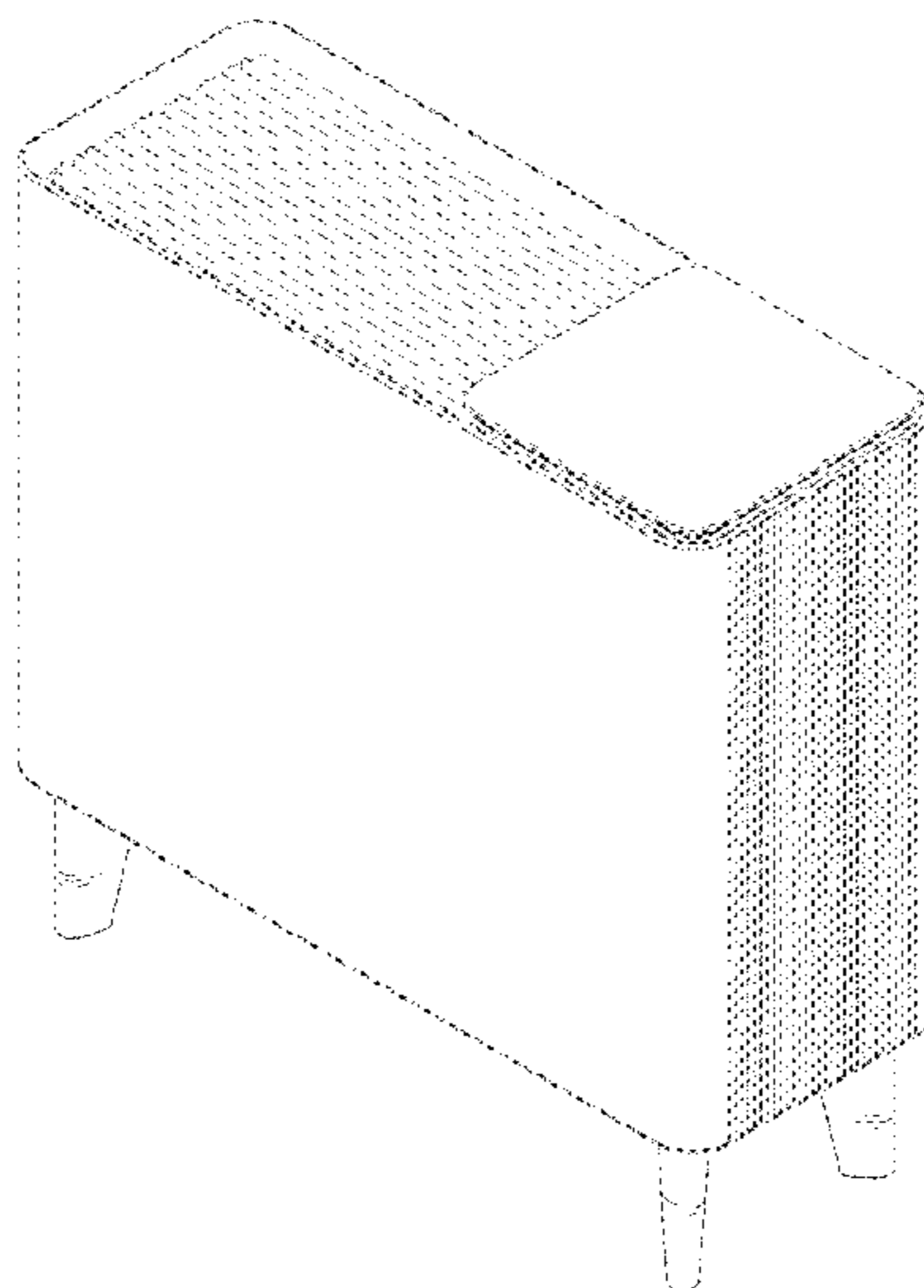
(57) **CLAIM**

The ornamental design for an air purifier, as shown and described.

DESCRIPTION

FIG. 1 illustrates a front perspective view of the air purifier showing our new design;
FIG. 2 illustrates a front elevational view thereof;
FIG. 3 illustrates a rear elevational view thereof;
FIG. 4 illustrates a left side elevational view thereof;
FIG. 5 illustrates a right side elevational view thereof;
FIG. 6 illustrates a top plan view thereof; and,
FIG. 7 illustrates a bottom plan view thereof.
The broken lines shown throughout the views depict unclaimed portions of the design and form no part of the claimed design.

1 Claim, 7 Drawing Sheets



(56)

References Cited

U.S. PATENT DOCUMENTS

D402,022 S 12/1998 Termeer et al.
 D402,745 S 12/1998 Termeer et al.
 D402,746 S 12/1998 Clark et al.
 D411,880 S 7/1999 Cappadona et al.
 D414,854 S 10/1999 Omaki et al.
 D416,614 S 11/1999 Bellil et al.
 D422,270 S 4/2000 Wong
 D430,928 S 9/2000 Lafond et al.
 D431,074 S 9/2000 Deros
 D433,493 S 11/2000 Runyan et al.
 D437,037 S 1/2001 Deros et al.
 D440,292 S 4/2001 Kip
 D450,825 S 11/2001 Nakamura et al.
 D451,181 S 11/2001 Miwa
 D451,182 S 11/2001 Tsuji
 D468,820 S 1/2003 Smith et al.
 D472,626 S 4/2003 Nakamura
 D476,068 S 6/2003 Carey et al.
 D488,854 S 4/2004 Stauffer
 D489,203 S * 5/2004 Stanton D6/709
 D489,800 S 5/2004 Tokunaga
 D529,161 S 9/2006 De'Longhi
 D548,999 S * 8/2007 Jeandemange D6/407
 D573,704 S 7/2008 Chen
 D585,536 S 1/2009 Wang
 D597,188 S 7/2009 Chen
 D601,687 S 10/2009 Chan
 D603,496 S 11/2009 Murai et al.
 D608,433 S 1/2010 Murai et al.
 D624,995 S * 10/2010 Thomas D6/663
 D626,635 S * 11/2010 Thomas D6/663
 D635,655 S 4/2011 Chent et al.
 D644,312 S 8/2011 Tsuji
 D665,248 S * 8/2012 Vu D8/402
 D690,803 S 10/2013 Koivisto et al.
 D707,064 S * 6/2014 Bovo D6/663
 D716,075 S * 10/2014 Healy D6/657
 D723,847 S * 3/2015 Putnam D6/709
 D750,209 S 2/2016 Satou
 D760,883 S 7/2016 Mann
 D783,793 S 4/2017 Satou et al.
 D797,914 S 9/2017 Nygren et al.
 D802,112 S 11/2017 Jeon et al.
 D803,368 S 11/2017 Priester
 D807,997 S 1/2018 Seo
 D810,259 S 2/2018 You et al.
 D810,906 S 2/2018 Yoon
 D810,907 S 2/2018 Yoon
 D815,465 S * 4/2018 Hannoosh D6/657
 D817,668 S * 5/2018 Davis D6/663
 D819,797 S 6/2018 Mann
 D825,230 S * 8/2018 Massaud D6/675
 D834,165 S 11/2018 Maeng
 D844,766 S 4/2019 Miao et al.
 D860,425 S 9/2019 Lobdell et al.
 D860,662 S * 9/2019 Iwasaki D6/349
 D879,516 S * 3/2020 Davis D6/657
 D888,448 S * 6/2020 Grassinger D6/361
 D903,346 S * 12/2020 Rottet D6/349
 D904,801 S * 12/2020 Davis D6/657
 D906,020 S * 12/2020 Davis D6/657

FOREIGN PATENT DOCUMENTS

AT 00010065-0001 2/1994
 AT 00010066-0001 2/1994
 AT 00037933-0001 12/1999
 AT 00037934-0001 12/1999
 AT 00037936-0001 12/1999
 CN 302830701 S 5/2014
 CN 302954277 S 10/2014
 CN 302967982 S 10/2014
 CN 303000885 S 11/2014
 CN 304206664 S 7/2017
 CN 304415863 S 7/2017

CN 304589581 S 4/2018
 CN 304999491 S 1/2019
 CN 305063406 S 3/2019
 DE 9601057-0002 9/1996
 DE 49601057-0001 9/1996
 DE 49802066-0001 10/1998
 DE 49802066-0002 10/1998
 DE 49806837-0001 3/1999
 DE 40005320-0001 9/2000
 DE 40103977-0001 9/2001
 DE 40107924-0002 1/2002
 DE 40108734-0001 3/2002
 EM 00055843-0002 11/2003
 EM 00065305-0001 11/2003
 EM 00065339-0001 11/2003
 EM 00069554-0001 12/2003
 EM 00087341-0001 1/2004
 EM 00084413-0002 2/2004
 EM 00211578-0001 10/2004
 EM 00211578-0002 10/2004
 EM 00215918-0001 10/2004
 EM 00244009-0001 1/2005
 EM 00244009-0002 1/2005
 EM 00275698-0001 3/2005
 EM 00351598-0001 8/2005
 EM 00351598-0002 8/2005
 EM 00351598-0003 8/2005
 EM 00485255-0001 3/2006
 EM 00485255-0002 3/2006
 EM 00480991-0001 4/2006
 EM 00480991-0002 4/2006
 EM 00769732-0002 1/2008
 EM 00800842-0002 1/2008
 EM 00887849-0002 4/2008
 EM 00887849-0003 4/2008
 EM 00887849-0004 4/2008
 EM 00887849-0005 4/2008
 EM 00887849-0006 4/2008
 EM 00887849-0007 4/2008
 EM 00887849-0008 4/2008
 EM 00887849-0009 4/2008
 EM 00887849-0010 4/2008
 EM 00899653-0001 4/2008
 EM 00896881-0002 5/2008
 EM 01112817-0004 6/2009
 EM 01658998-0001 1/2010
 EM 01201743-0001 3/2010
 EM 01204606-0006 4/2010
 EM 01306310-0001 1/2012
 EM 01339337-0001 8/2012
 EM 02532887-0001 9/2014
 EM 02532887-0002 9/2014
 EM 02532887-0003 9/2014
 EM 04069383-0001 6/2017
 EM 04120913-0002 7/2017
 EM 06592530-0002 6/2019
 EM 06592630-0001 6/2019
 EM 06607412-0001 7/2019
 GB 02068280-0001 11/1997
 GB 02072118-0001 5/1998
 GB 02072119-0001 5/1998
 GB 02072341-0001 5/1998
 GB 02072633-0001 6/1998
 GB 02072634-0001 6/1998
 GB 02075642-0001 9/1998
 GB 02092977-0001 5/2000
 GB 02095188-0001 9/2000
 GB 02104445-0001 6/2002
 GB 03008197-0001 11/2002
 GB 03008198-0001 11/2002
 IR 00092057-0001 1/2017
 IR 00092057-0002 1/2017
 IR 00092057-0004 1/2017
 JP 1277724 10/2005
 JP 1281699 8/2006
 JP 1349314 12/2008
 JP 1380668 1/2010
 JP 1392539 9/2011
 JP 1425295 9/2011

(56)

References Cited

FOREIGN PATENT DOCUMENTS

KR	3004387970000	1/2007
KR	3006265910000	12/2011
KR	3006971120000	5/2013
KR	3007477840000	6/2014
KR	3010105040000	6/2019
KR	3010158140000	7/2019

OTHER PUBLICATIONS

U.S. Appl. No. 29/502,181.
U.S. Appl. No. 29/124,239.
U.S. Appl. No. 29/511,691.
U.S. Appl. No. 29/351,644.

* cited by examiner

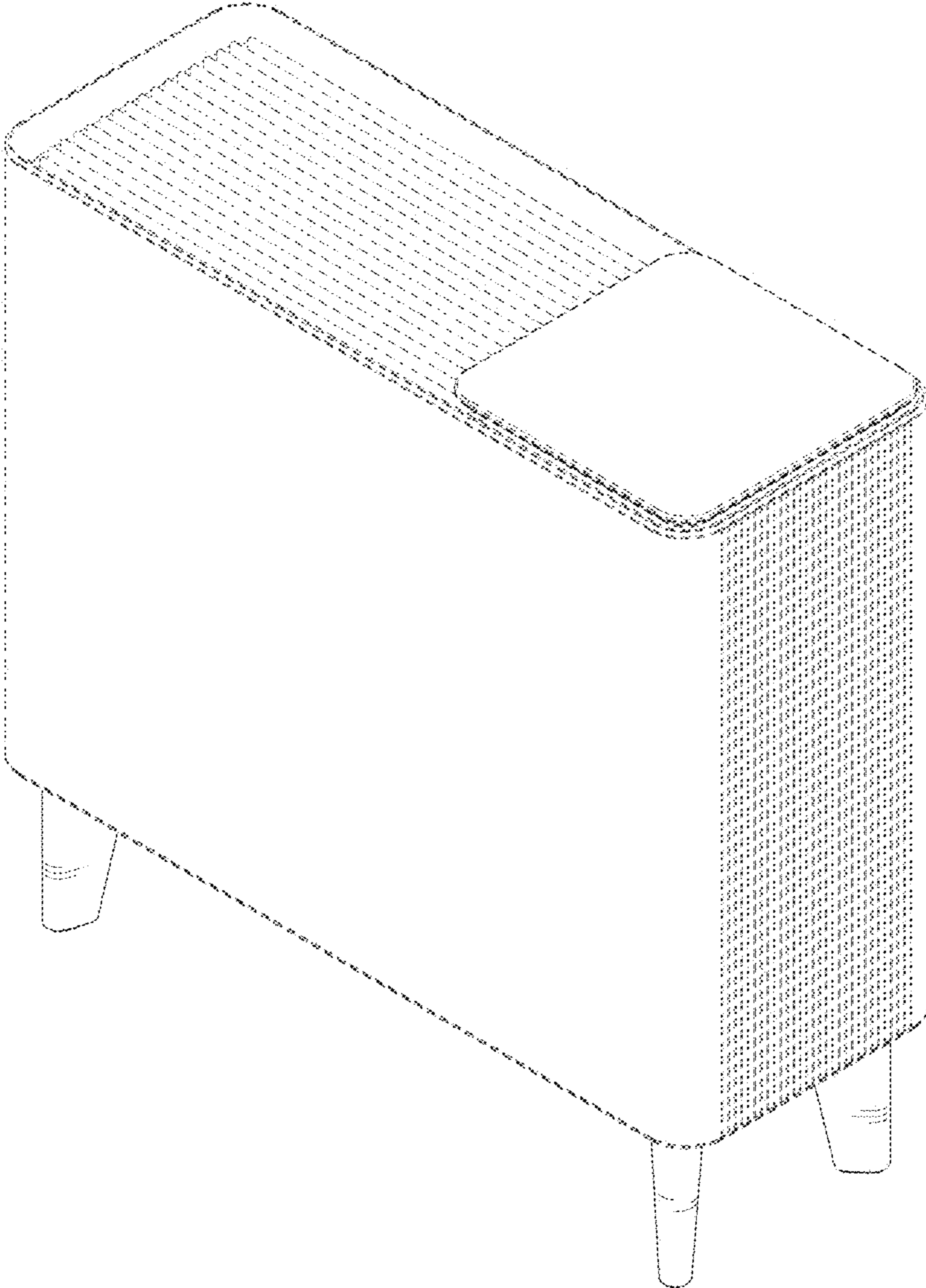


FIG. 1

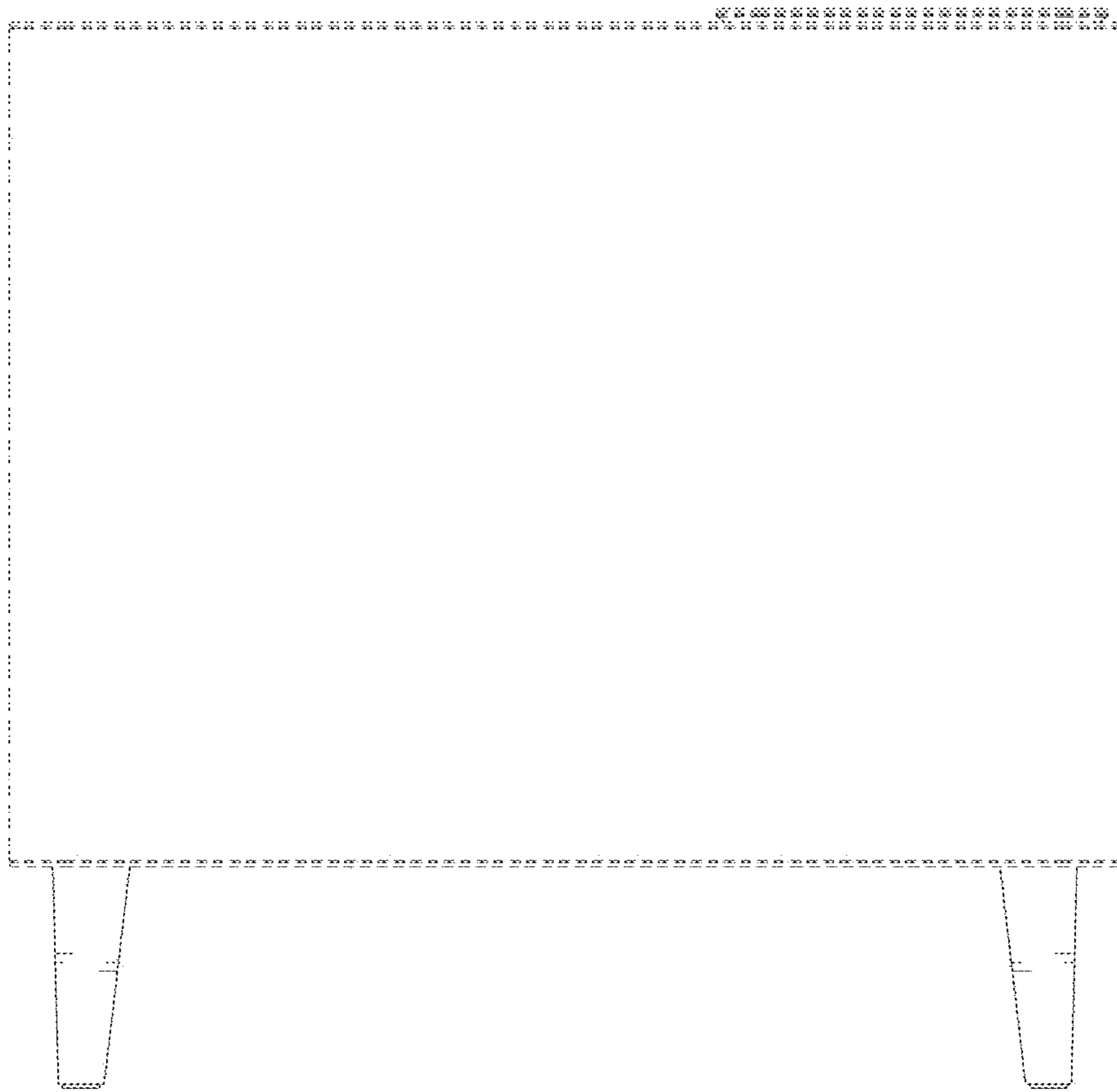


FIG. 2

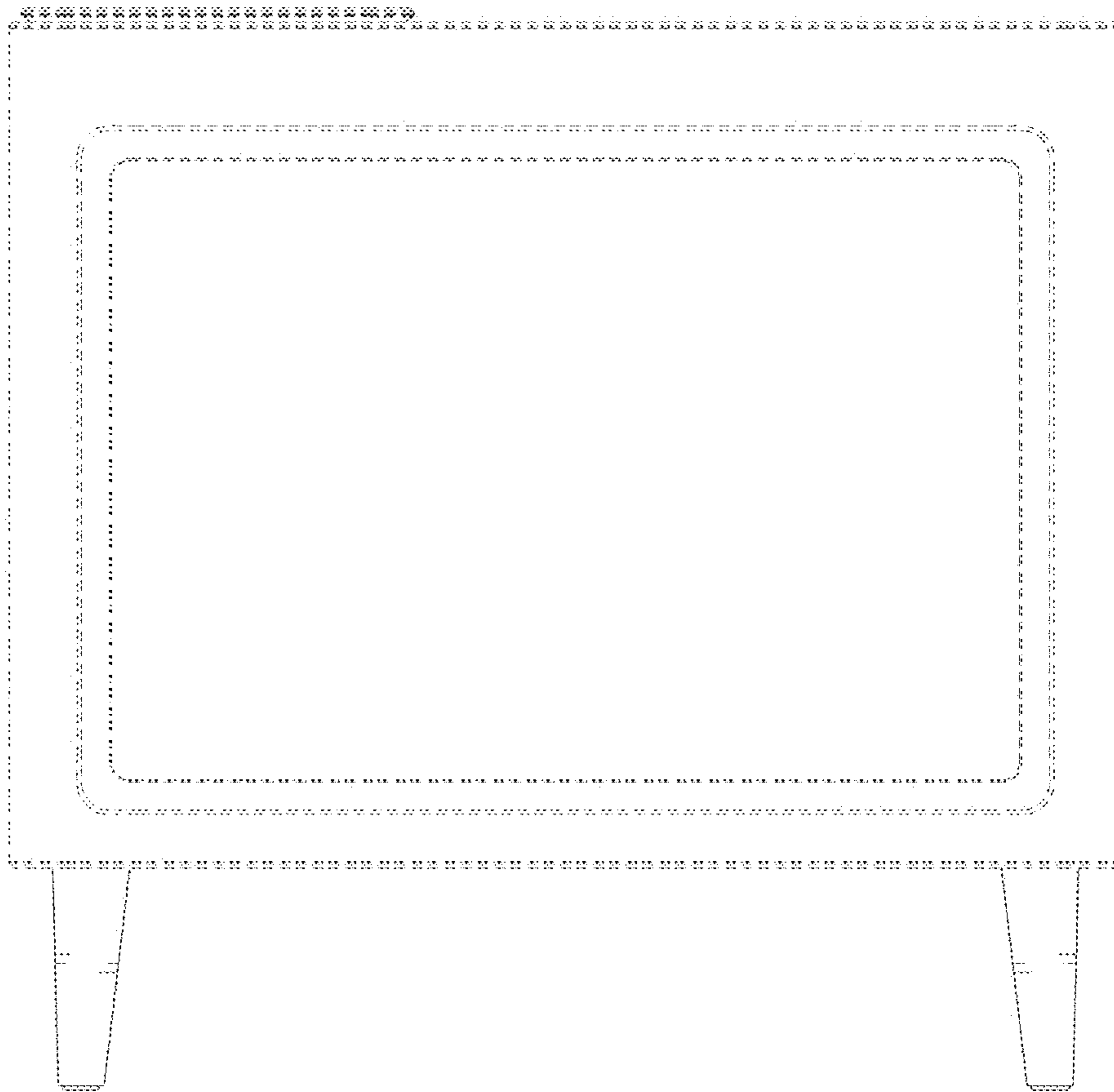


FIG. 3

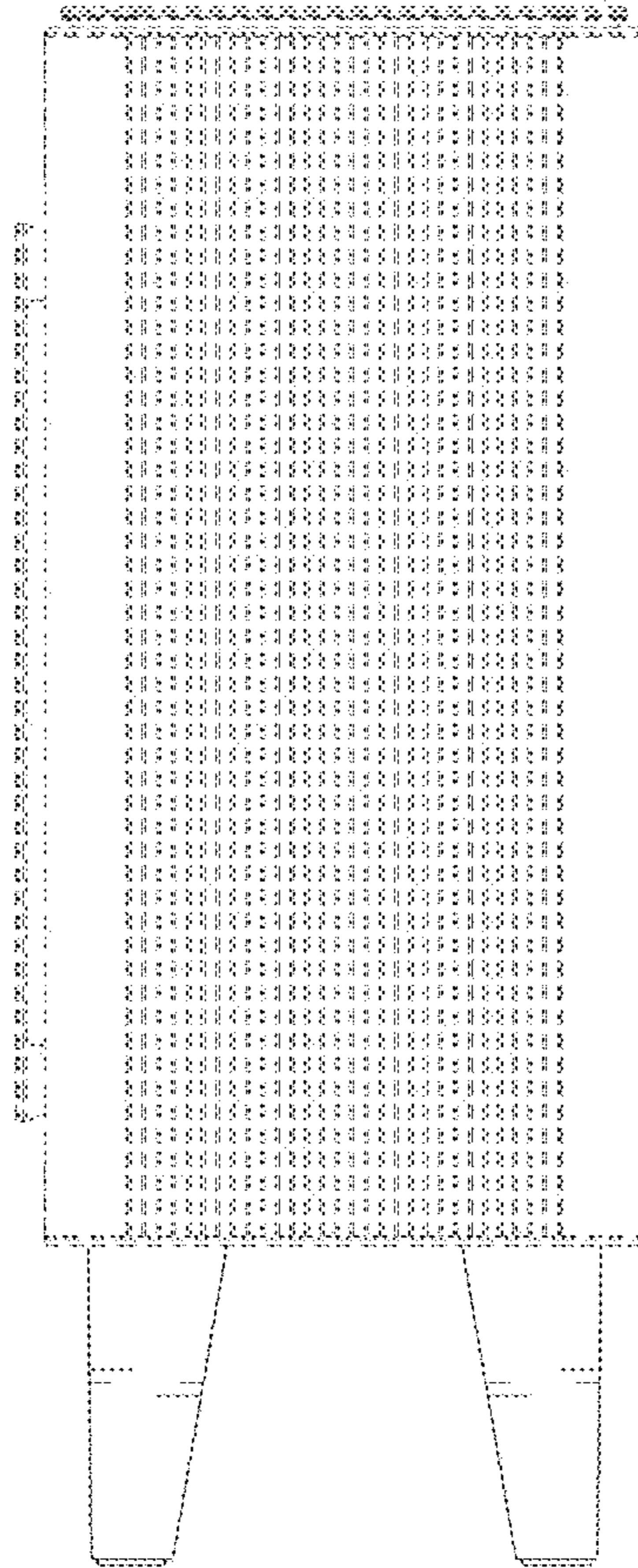


FIG. 4

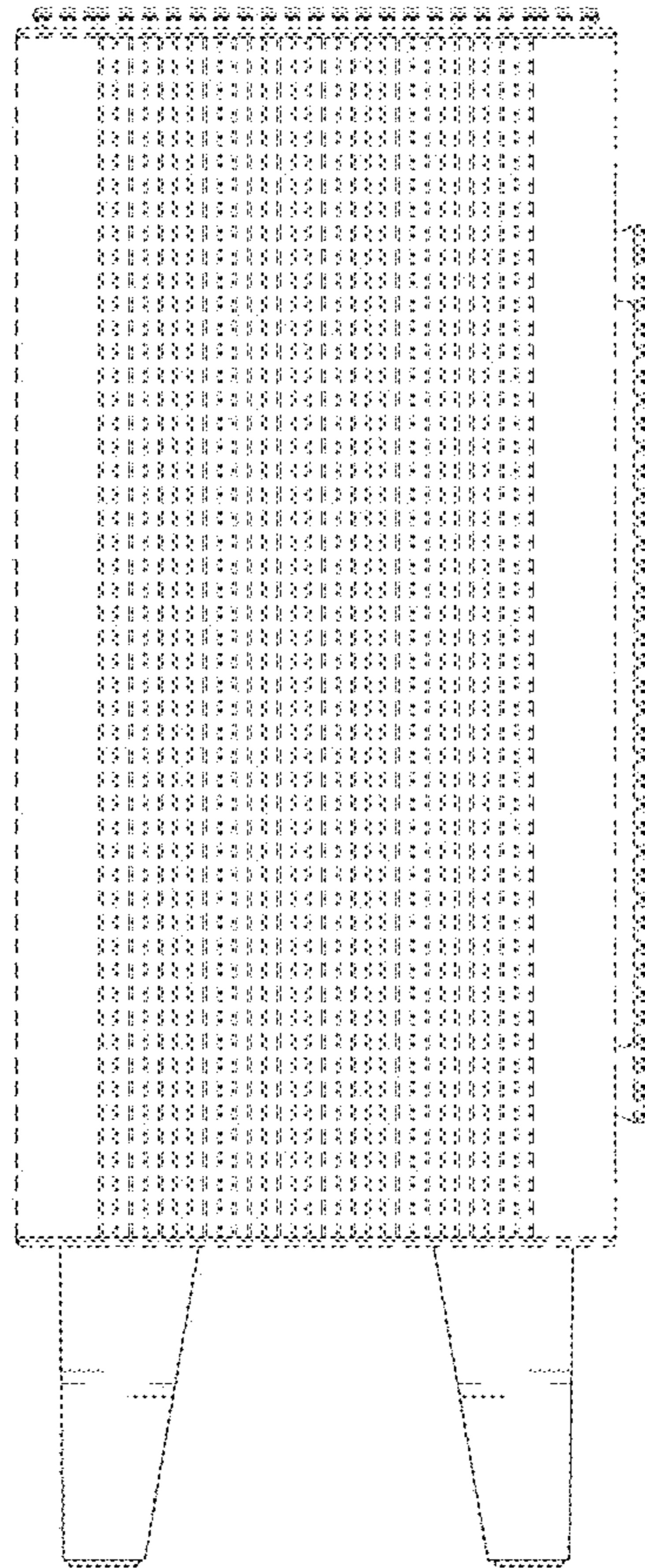


FIG. 5

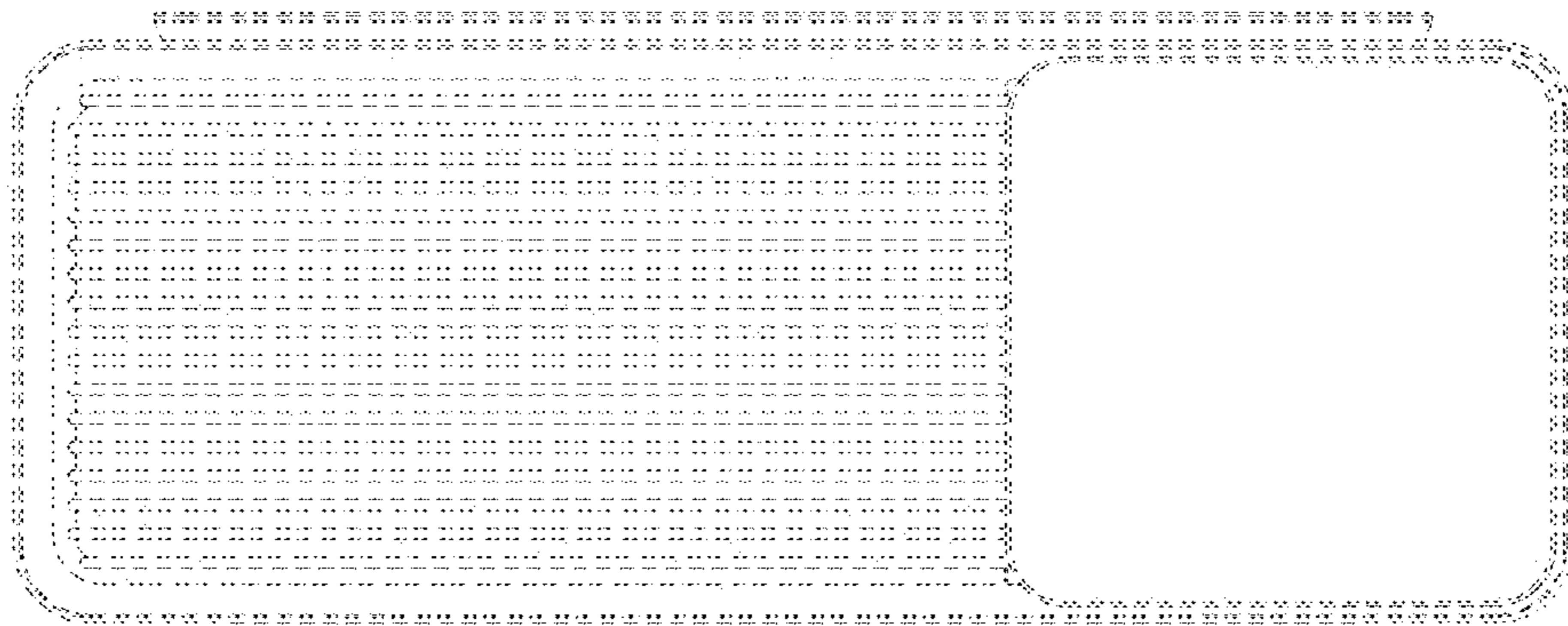


FIG. 6

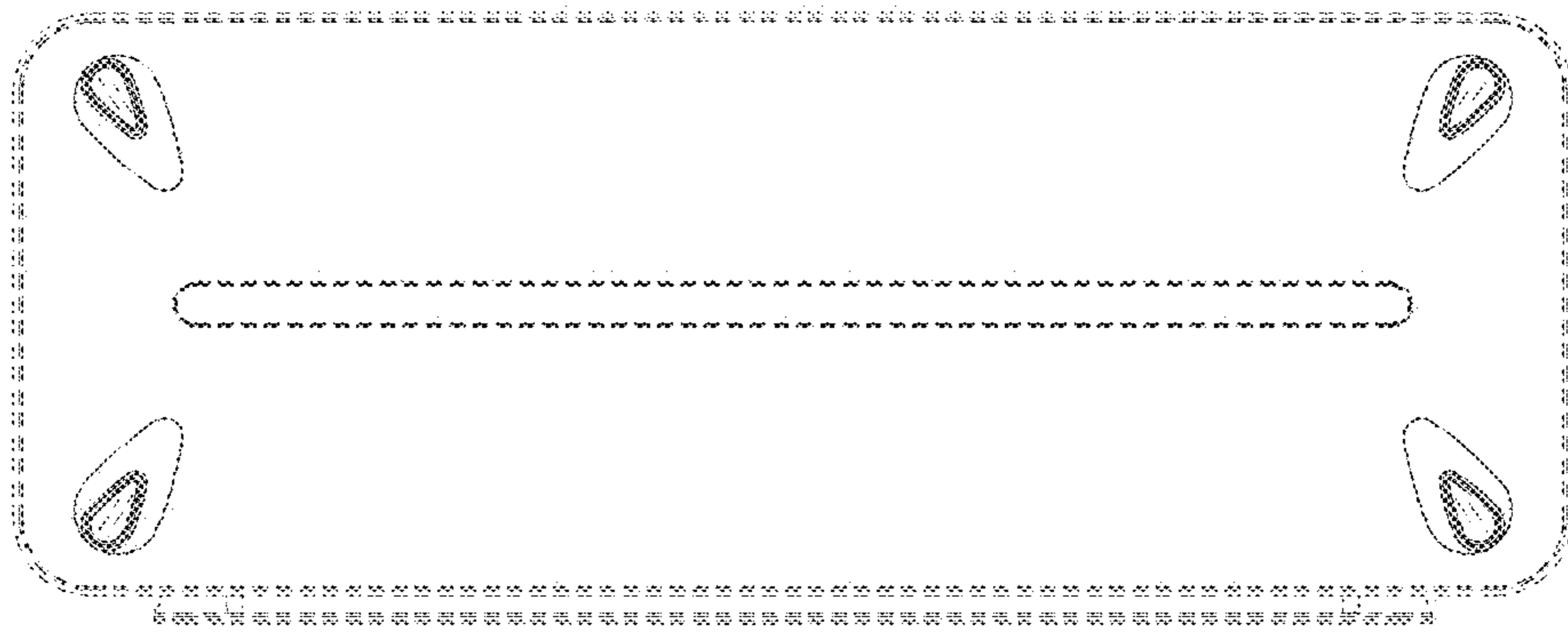


FIG. 7