



US00D921864S

(12) **United States Design Patent**
Luo et al.

(10) **Patent No.:** **US D921,864 S**
(45) **Date of Patent:** **** Jun. 8, 2021**

(54) **HUMIDIFIER**

(71) Applicant: **SHENZHEN VANTOP TECHNOLOGY & INNOVATION CO., LTD.**, Shenzhen (CN)

(72) Inventors: **Zhuocheng Luo**, Shenzhen (CN); **Mei Long**, Shenzhen (CN); **Jun Li**, Shenzhen (CN)

(73) Assignee: **SHENZHEN VANTOP TECHNOLOGY & INNOVATION CO., LTD.**, Shenzhen (CN)

(**) Term: **15 Years**

(21) Appl. No.: **29/757,304**

(22) Filed: **Nov. 5, 2020**

(51) **LOC (13) Cl.** **23-04**

(52) **U.S. Cl.**
USPC **D23/356**

(58) **Field of Classification Search**
USPC D23/355–366, 352, 369, 332, 333, 335, D23/336, 342, 351; 422/120, 122; 55/356, 473, 504; 96/97; 261/DIG. 17, 261/DIG. 65, DIG. 88, DIG. 31
CPC .. A61L 9/16; A61L 9/22; B01D 47/00; B01D 47/027; B01D 2221/02; B01D 2259/4508; B03C 3/155; B03C 3/368; F24F 3/16; F24F 13/20; F24F 13/28; F24F 2001/0096
See application file for complete search history.

(56) **References Cited**

U.S. PATENT DOCUMENTS

D835,763 S 12/2018 Niedermann et al.
D886,269 S * 6/2020 Sakamoto D23/356

D892,288 S 8/2020 Baillie et al.
D893,009 S * 8/2020 Choi D23/364
D895,093 S * 9/2020 Nakamura D23/364
D912,796 S * 3/2021 Huang D23/364
D915,573 S * 4/2021 Zheng D23/359
D916,266 S * 4/2021 Jin D23/366
D917,032 S * 4/2021 Nakagawa D23/333
2018/0290103 A1 * 10/2018 Choi F24F 13/20
2018/0299142 A1 * 10/2018 Myeong F24F 13/20
2018/0320910 A1 * 11/2018 Lee F24F 3/1405
2019/0041071 A1 * 2/2019 Cho G01F 23/26
2019/0049127 A1 * 2/2019 Shin F24F 1/02
2020/0284454 A1 * 9/2020 Cho F24F 8/00

* cited by examiner

Primary Examiner — David G Muller

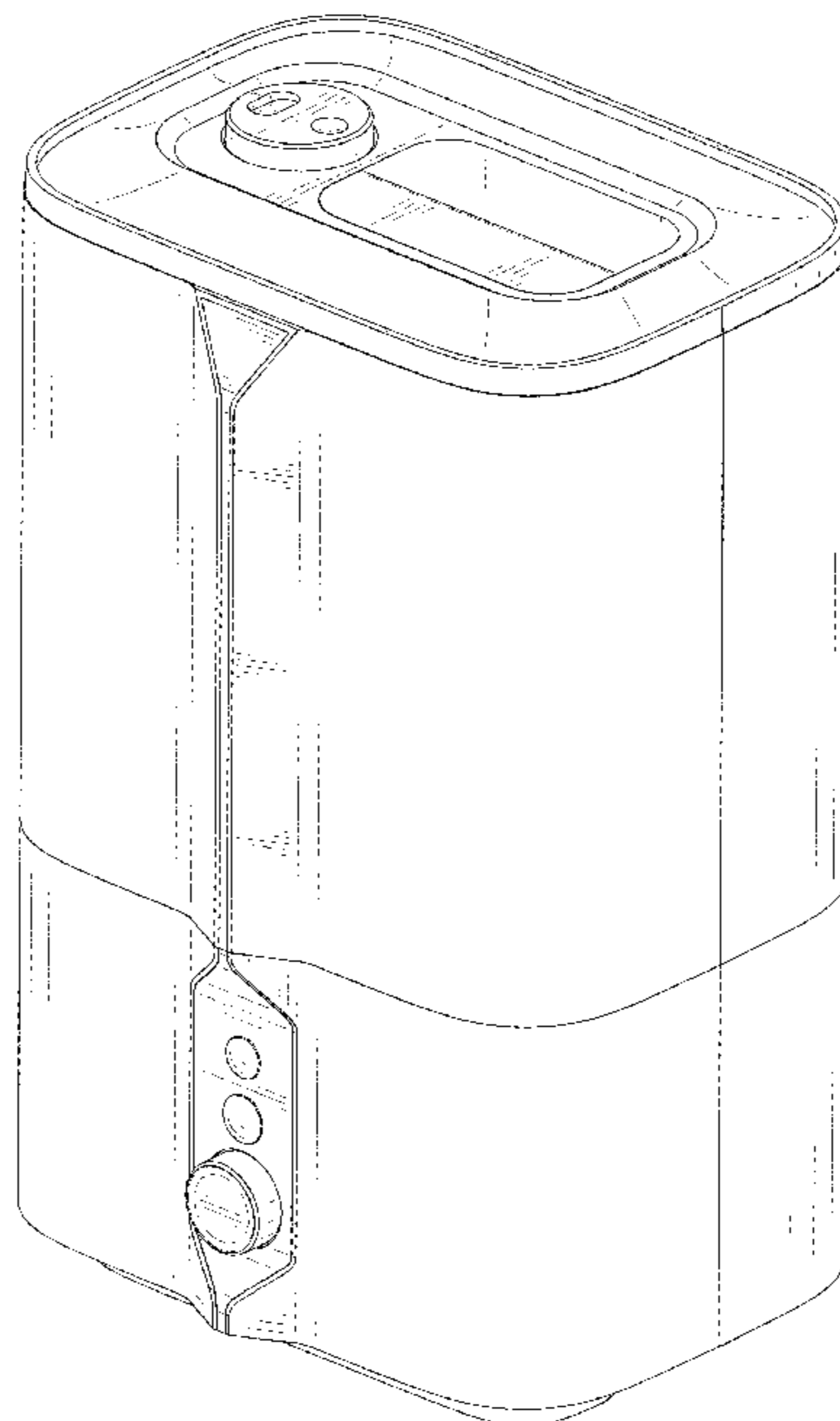
(57) **CLAIM**

The ornamental design for a humidifier, as shown and described.

DESCRIPTION

FIG. 1 is a perspective view of a humidifier showing my new design;
FIG. 2 is another perspective view thereof;
FIG. 3 is a front elevational view thereof;
FIG. 4 is a rear elevational view thereof;
FIG. 5 is a left side elevational view thereof;
FIG. 6 is a right side elevational view thereof;
FIG. 7 is a top plan view thereof; and,
FIG. 8 is a bottom plan view thereof.
The broken lines in the drawings depict portions of the humidifier that form no part of the claimed design.

1 Claim, 8 Drawing Sheets



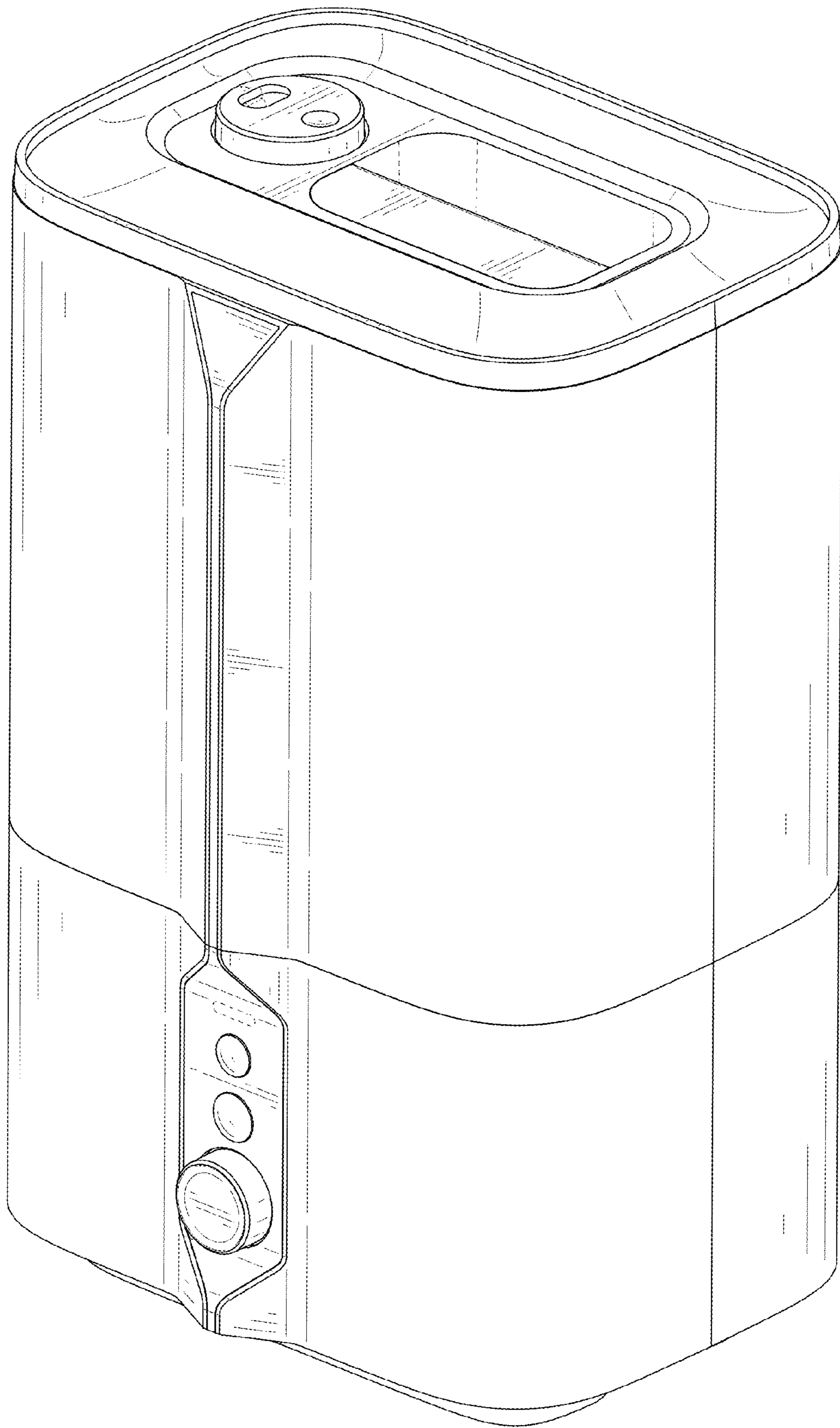


FIG. 1

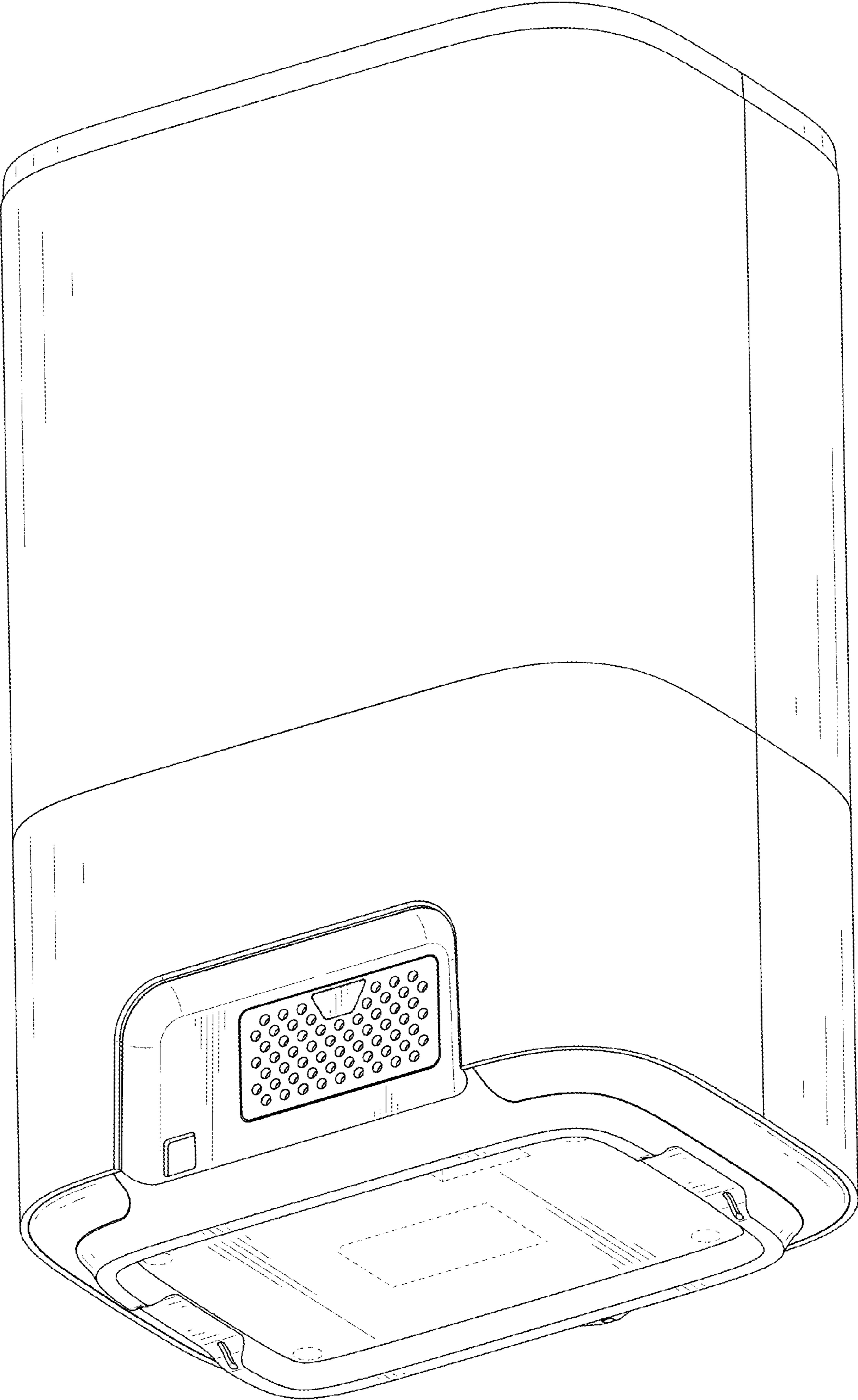


FIG. 2

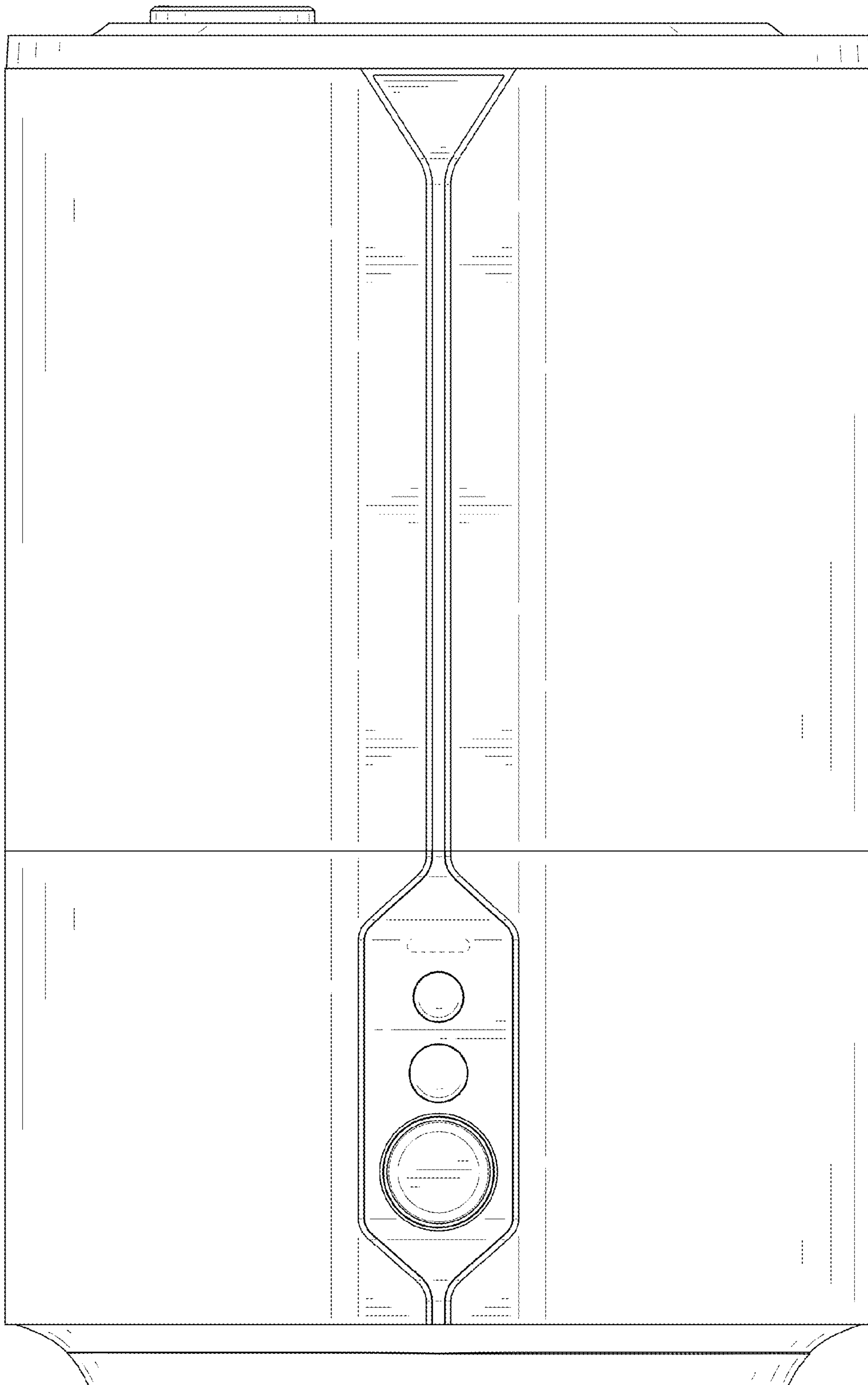


FIG. 3

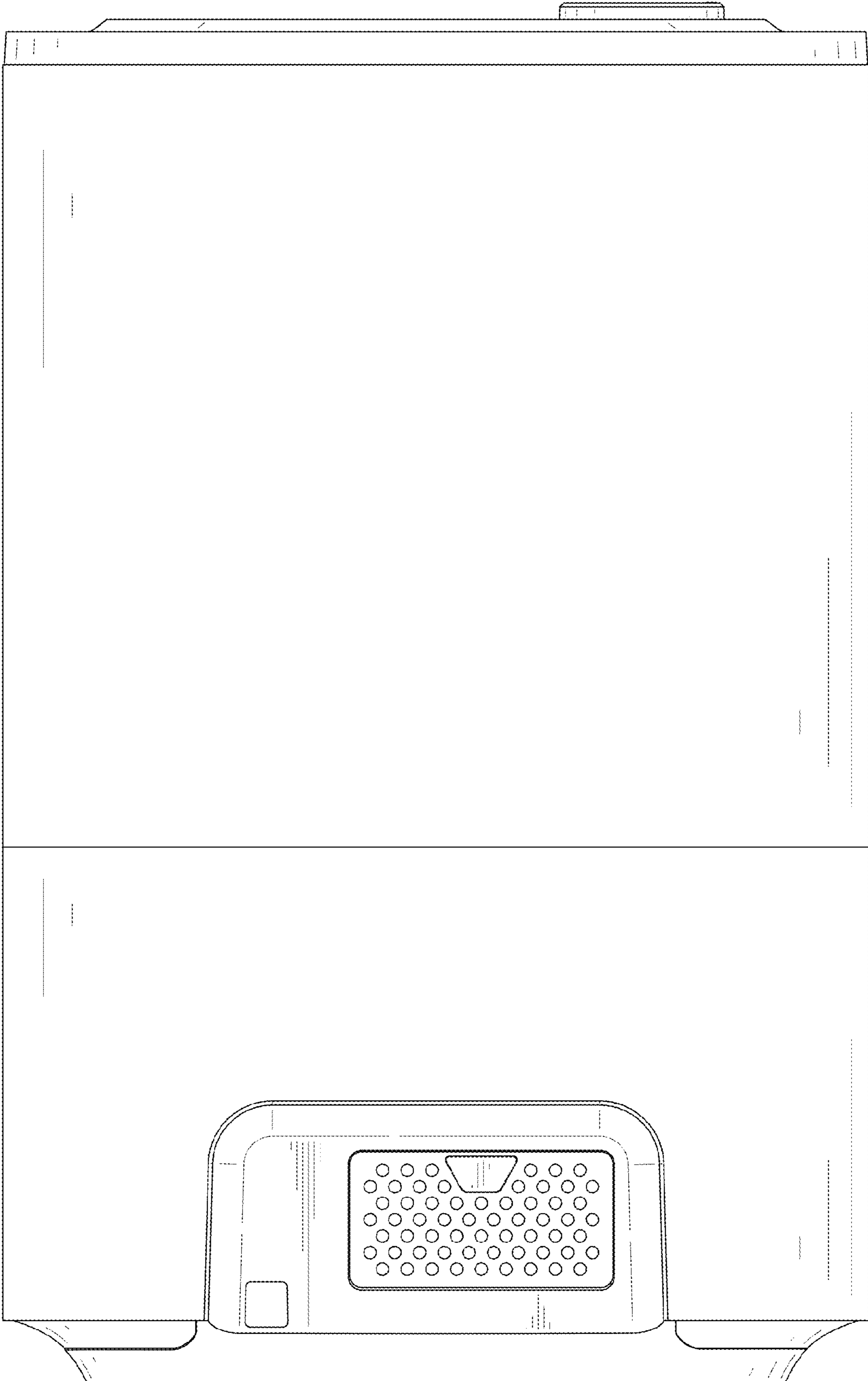


FIG. 4

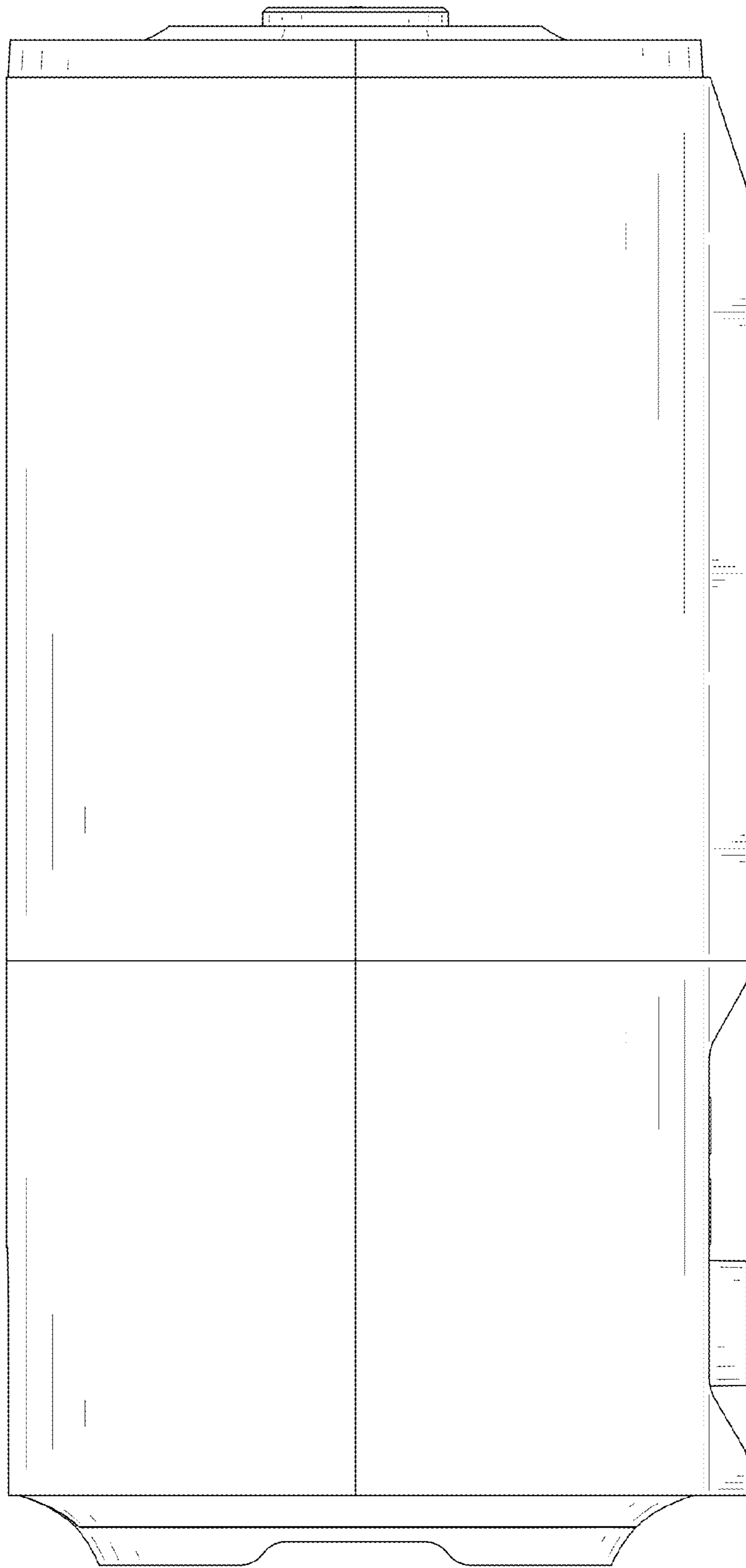


FIG. 5

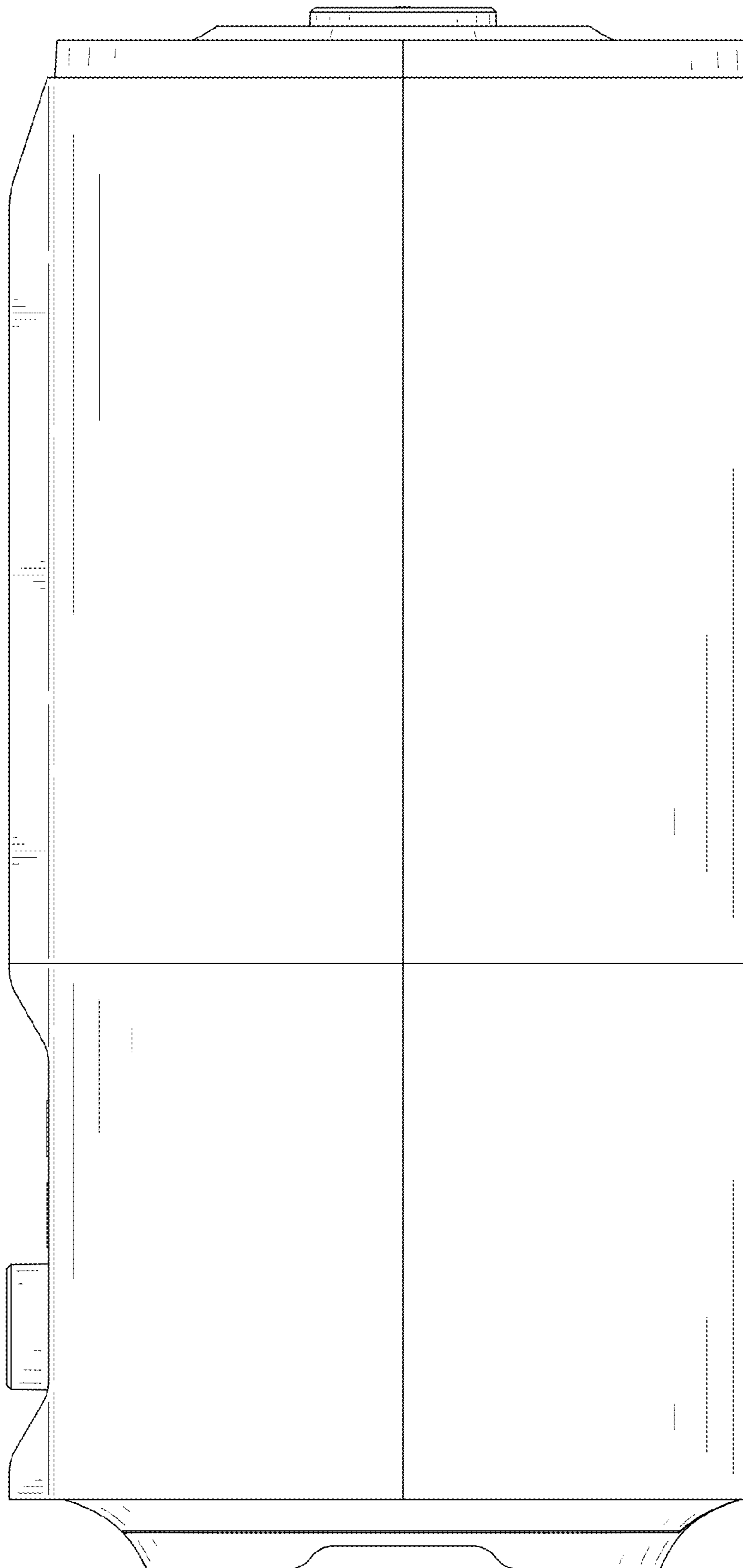


FIG. 6

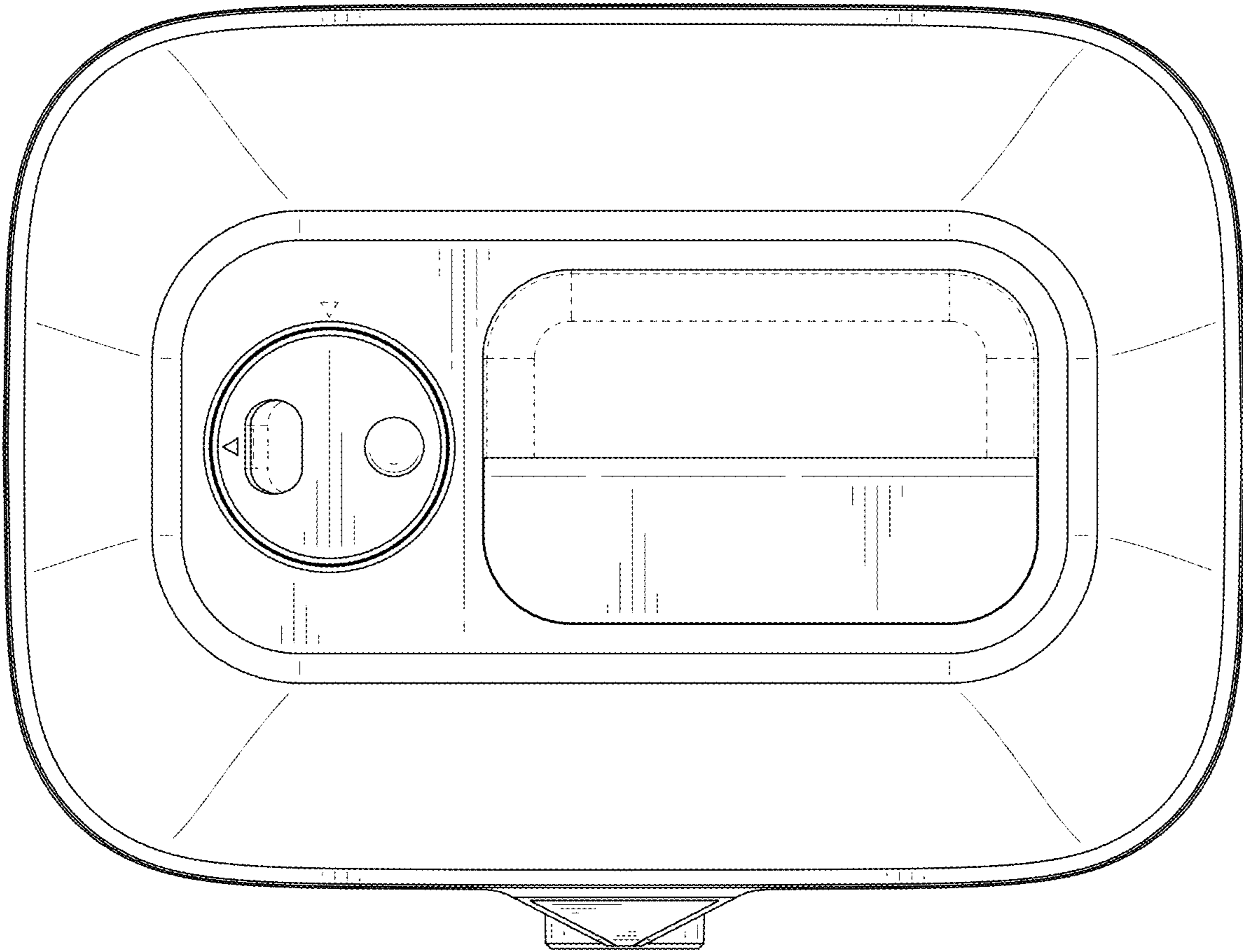


FIG. 7

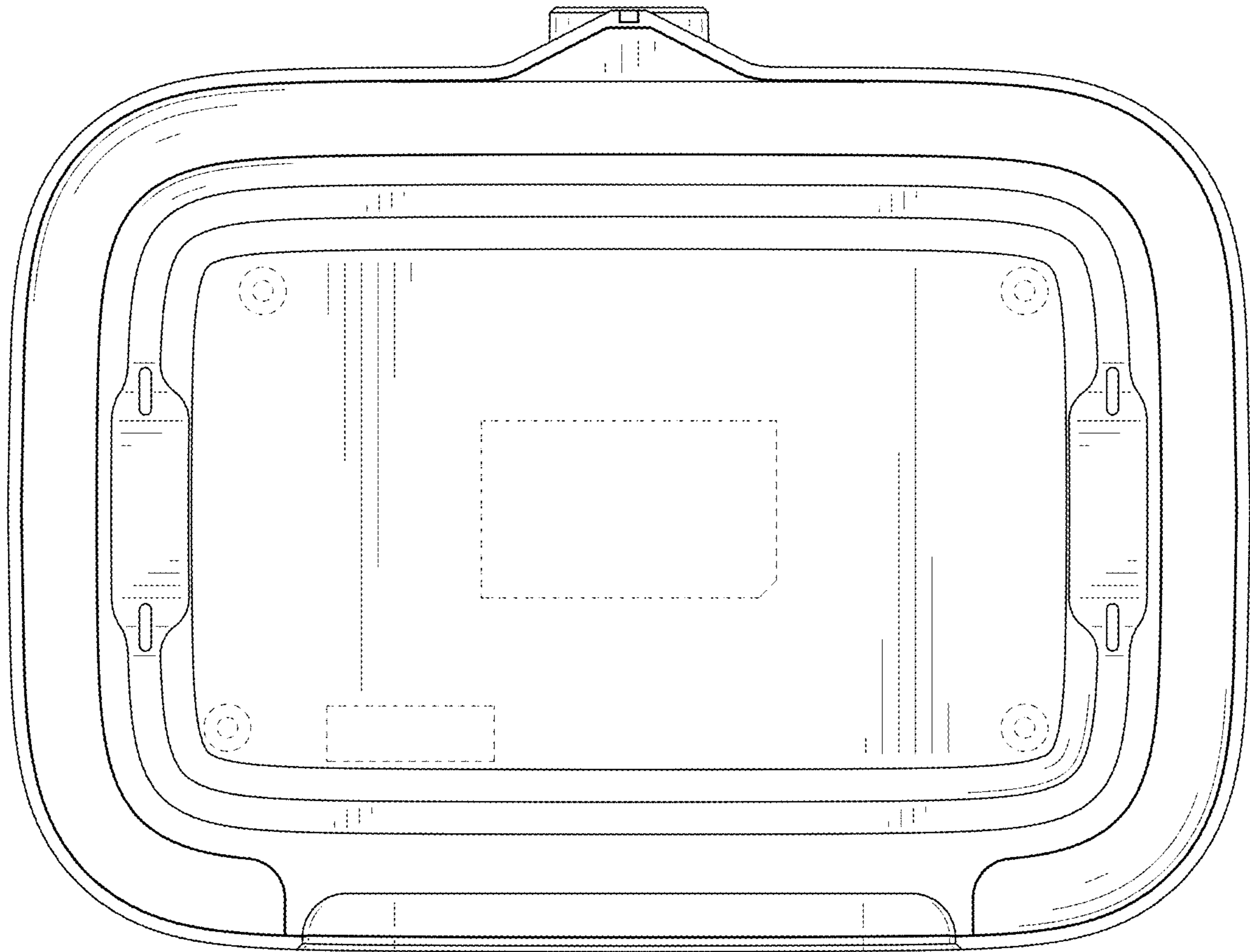


FIG. 8