



US00D921863S

(12) **United States Design Patent**
Oliva

(10) **Patent No.:** **US D921,863 S**
(45) **Date of Patent:** **** Jun. 8, 2021**

(54) **TANKLESS WATER HEATER HOUSING**

(71) Applicant: **Richard Oliva**, Miami, FL (US)

(72) Inventor: **Richard Oliva**, Miami, FL (US)

(**) Term: **15 Years**

(21) Appl. No.: **29/686,731**

(22) Filed: **Apr. 7, 2019**

(51) **LOC (13) Cl.** **23-03**

(52) **U.S. Cl.**
USPC **D23/318**

(58) **Field of Classification Search**
USPC D23/314, 317, 318, 319, 320, 321, 329,
D23/332, 342, 335
CPC . F24H 1/10; F24H 9/2028; F24H 9/02; F24H
9/128; F24H 9/2021; F24H 9/2007; F24H
9/0005; F24H 4/00; F24H 2/142; F24H
9/2071; F24H 9/2064; F24H 1/06
See application file for complete search history.

(56) **References Cited**

U.S. PATENT DOCUMENTS

D839,403 S *	1/2019	Shono	D23/318
D844,123 S *	3/2019	Schumann	D23/318
D858,726 S *	9/2019	Takeuchi	D23/318
D859,616 S *	9/2019	Zhang	D23/318
D859,617 S *	9/2019	Humphrey	D23/318
D860,418 S *	9/2019	Zheng	D23/318
D865,925 S *	11/2019	Jurczyszak	D23/318

D866,734 S * 11/2019 Bryant D23/318

* cited by examiner

Primary Examiner — Ania Aman

(74) *Attorney, Agent, or Firm* — Daniel S. Polley, P.A.

(57) **CLAIM**

The ornamental design for a tankless water heater housing, as shown and described.

DESCRIPTION

FIG. 1 is a front perspective view of the tankless water heater housing, showing my new design; FIG. 2 is a back perspective view thereof; FIG. 3 is a top view thereof; FIG. 4 is a bottom view thereof; FIG. 5 is a left side view thereof; FIG. 6 is a right side view thereof; FIG. 7 is a front view thereof; FIG. 8 is a back view thereof; FIG. 9 is a front perspective view thereof with the front housing door in an open position; FIG. 10 is a top view thereof with the front housing door in an open position; and, FIG. 11 is a front view thereof with the front housing door in an open position.

In the figures, features shown by broken lines are for illustrative purposes only and form no part of the claimed design.

1 Claim, 11 Drawing Sheets

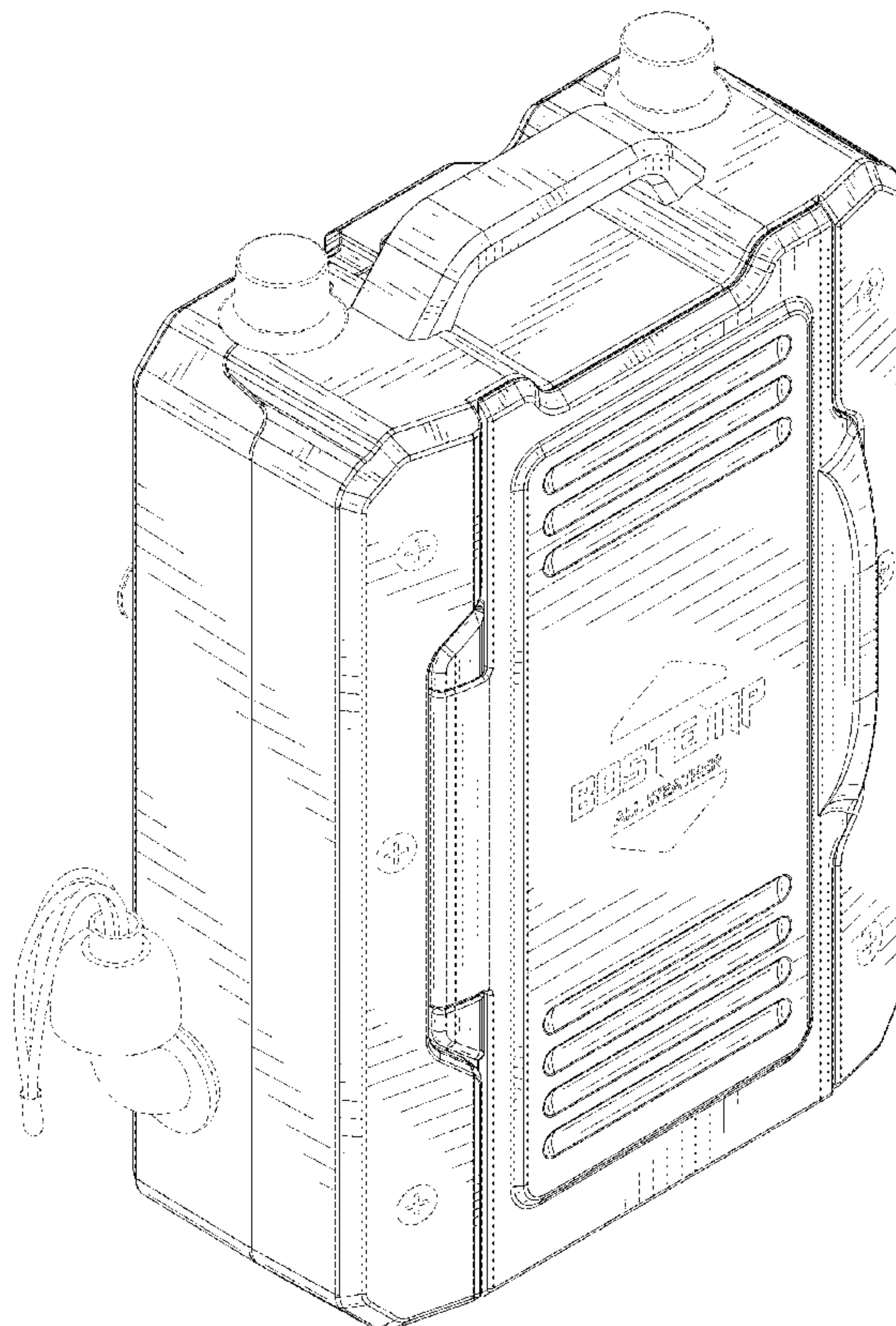




FIG. 1

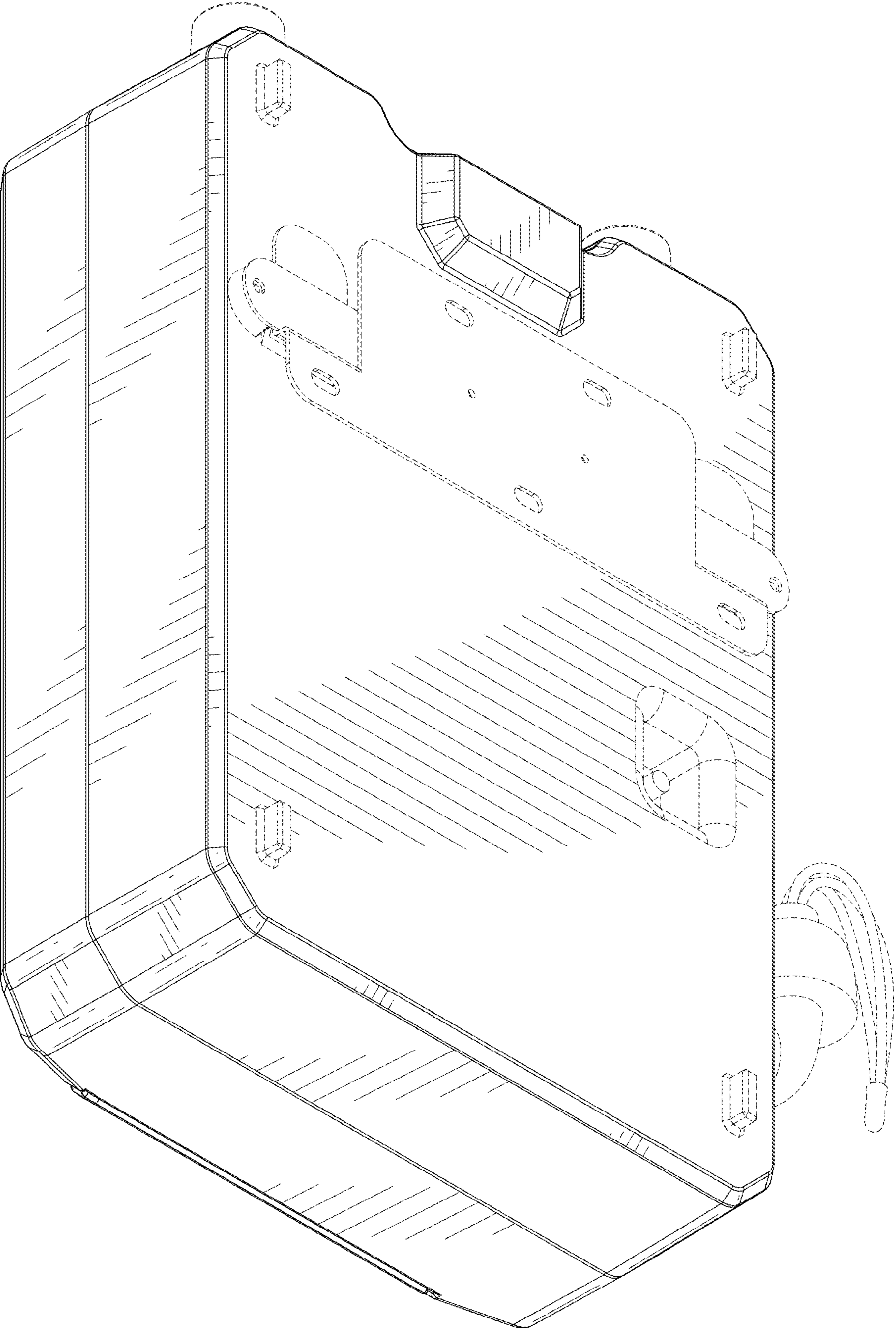


FIG. 2

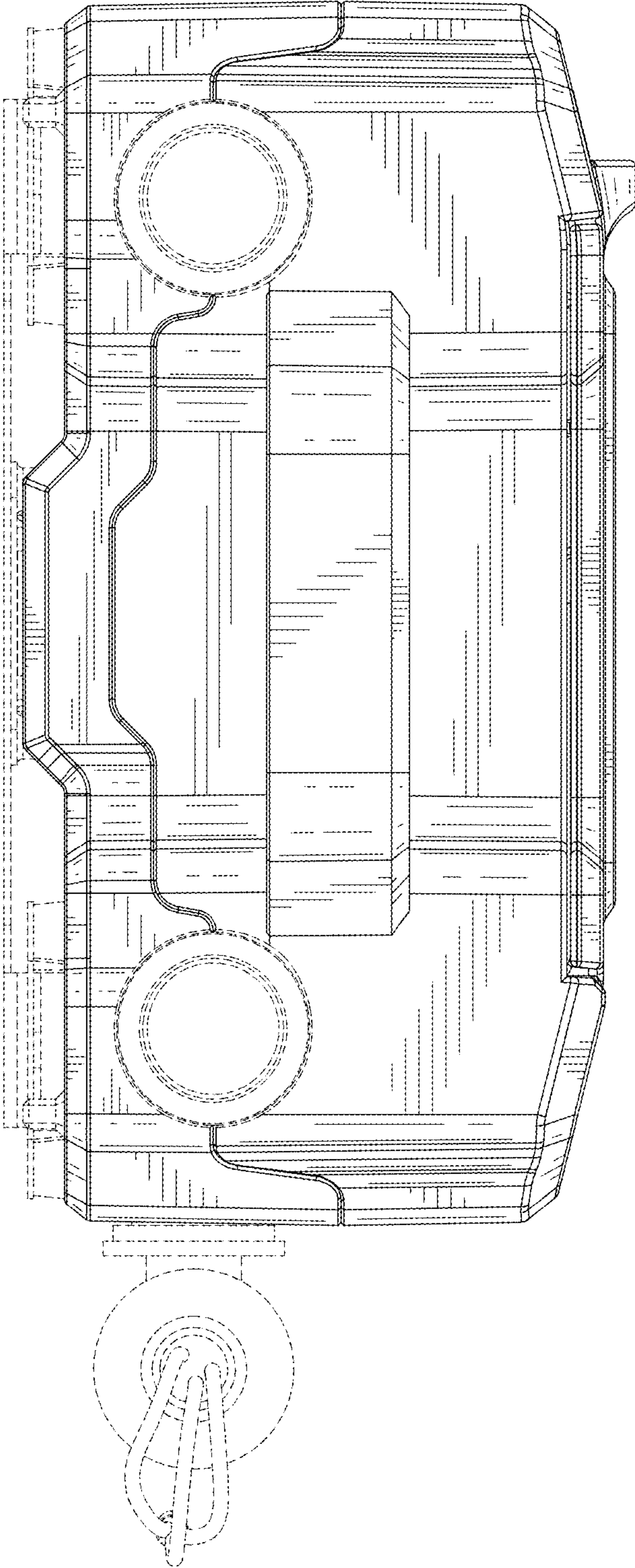


FIG. 3

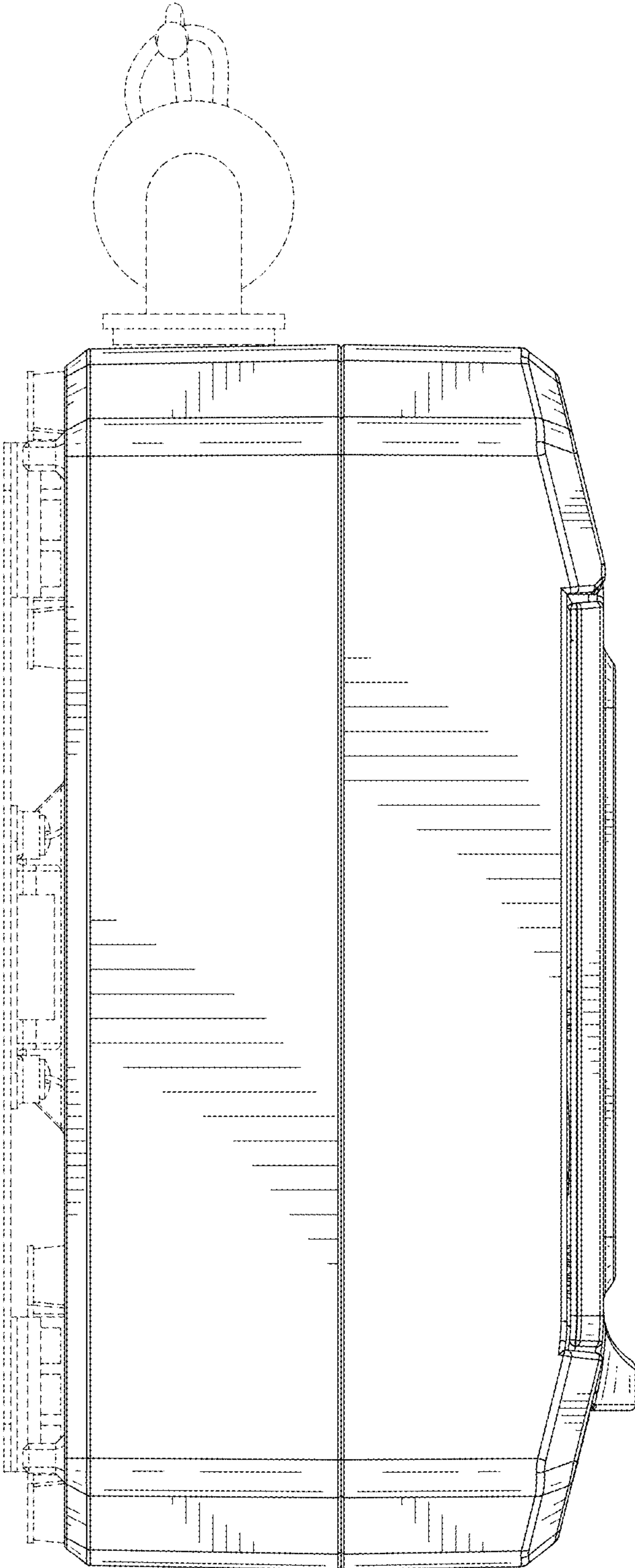


FIG. 4

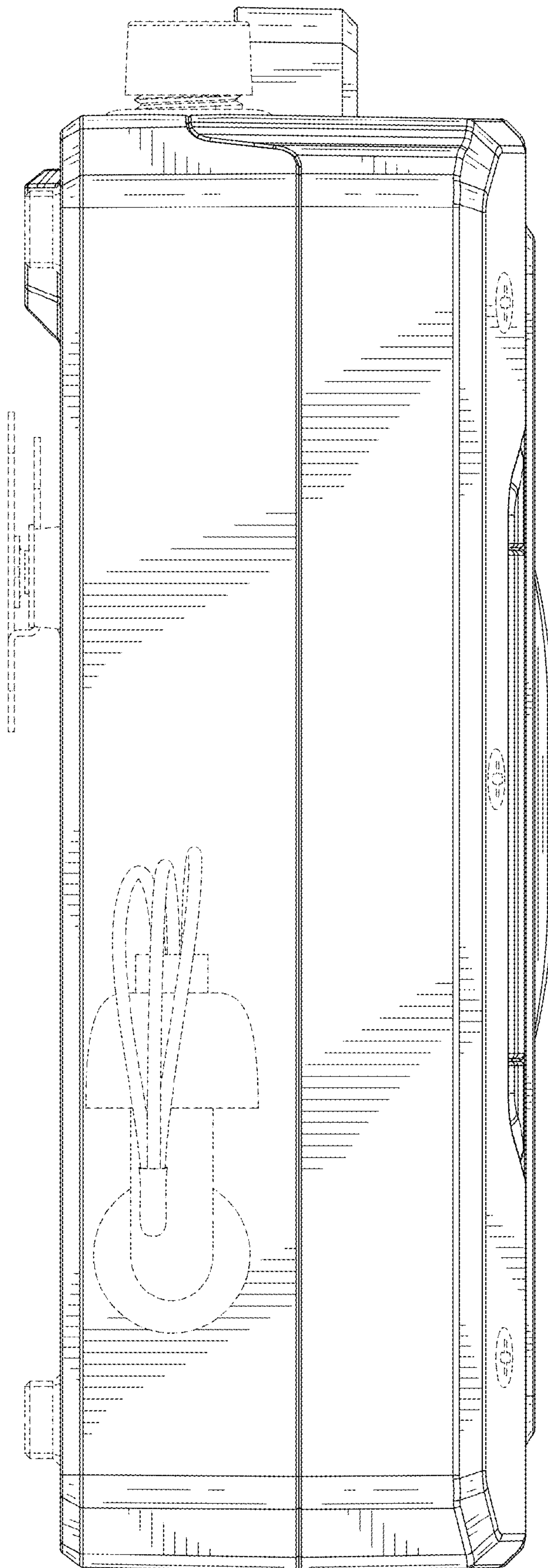


FIG. 5

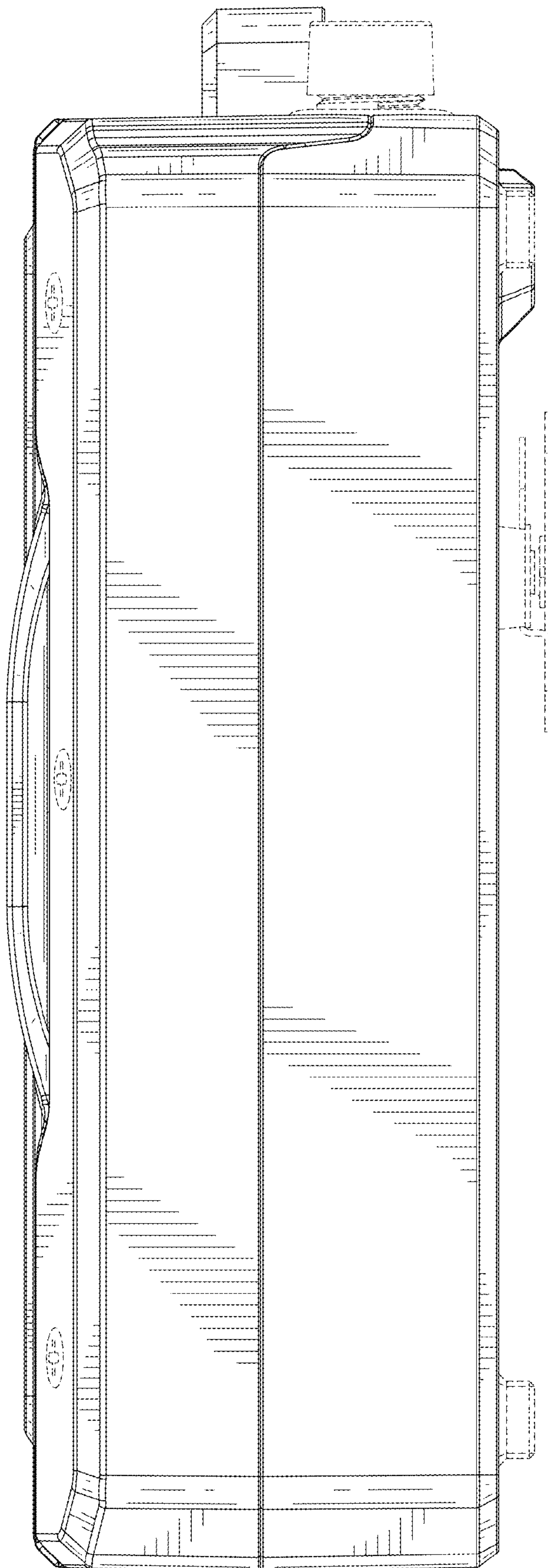


FIG. 6

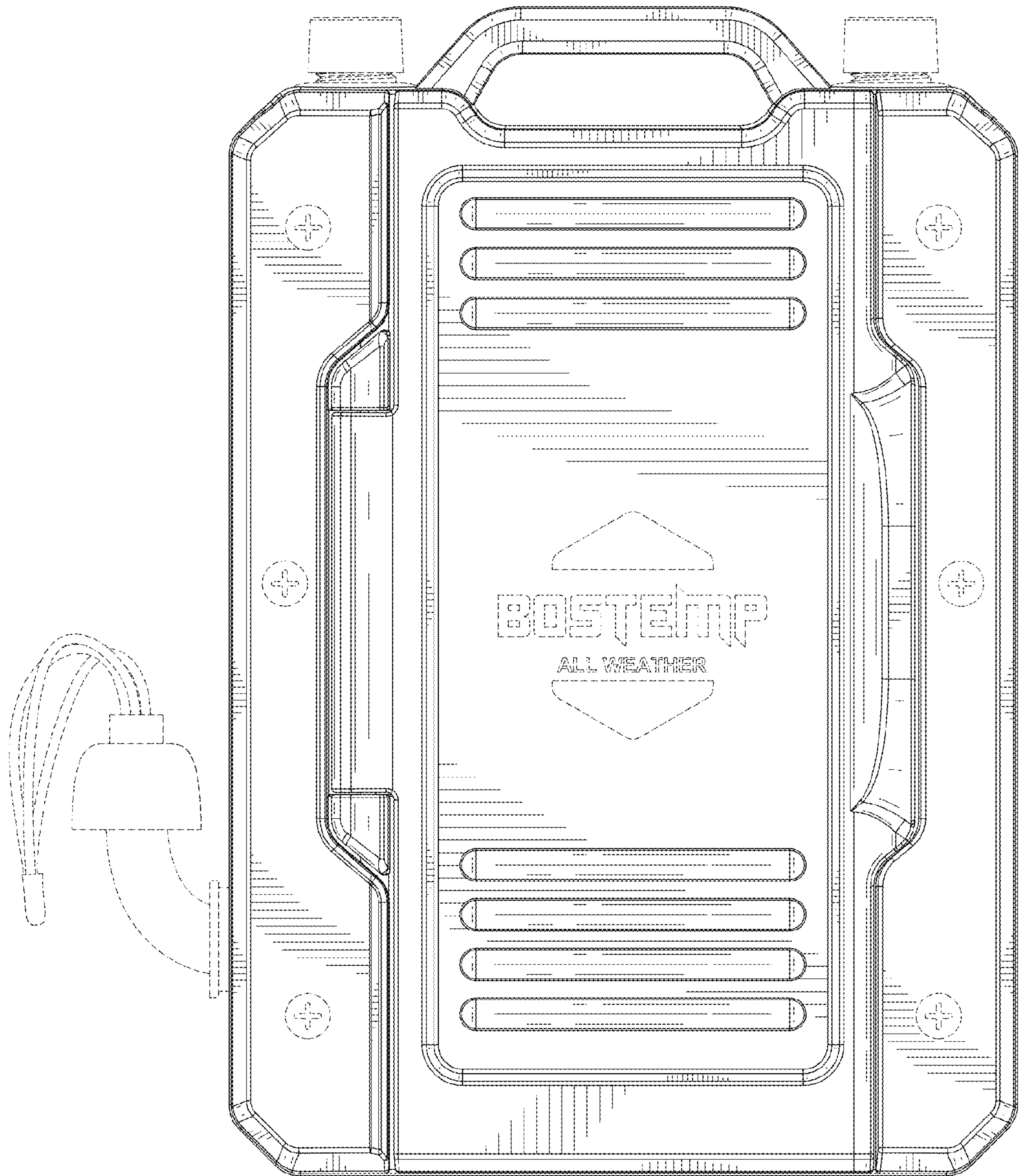


FIG. 7

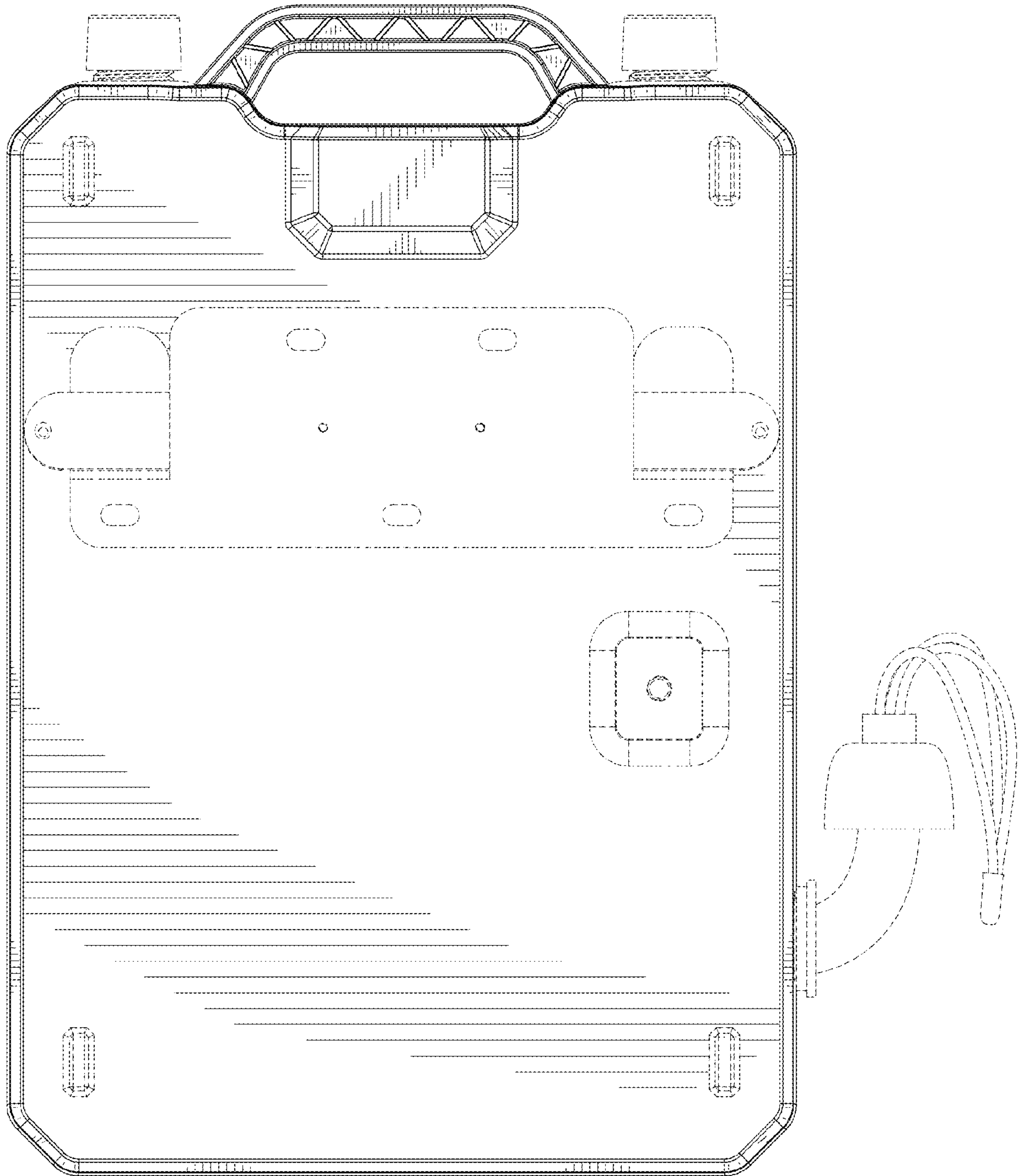


FIG. 8

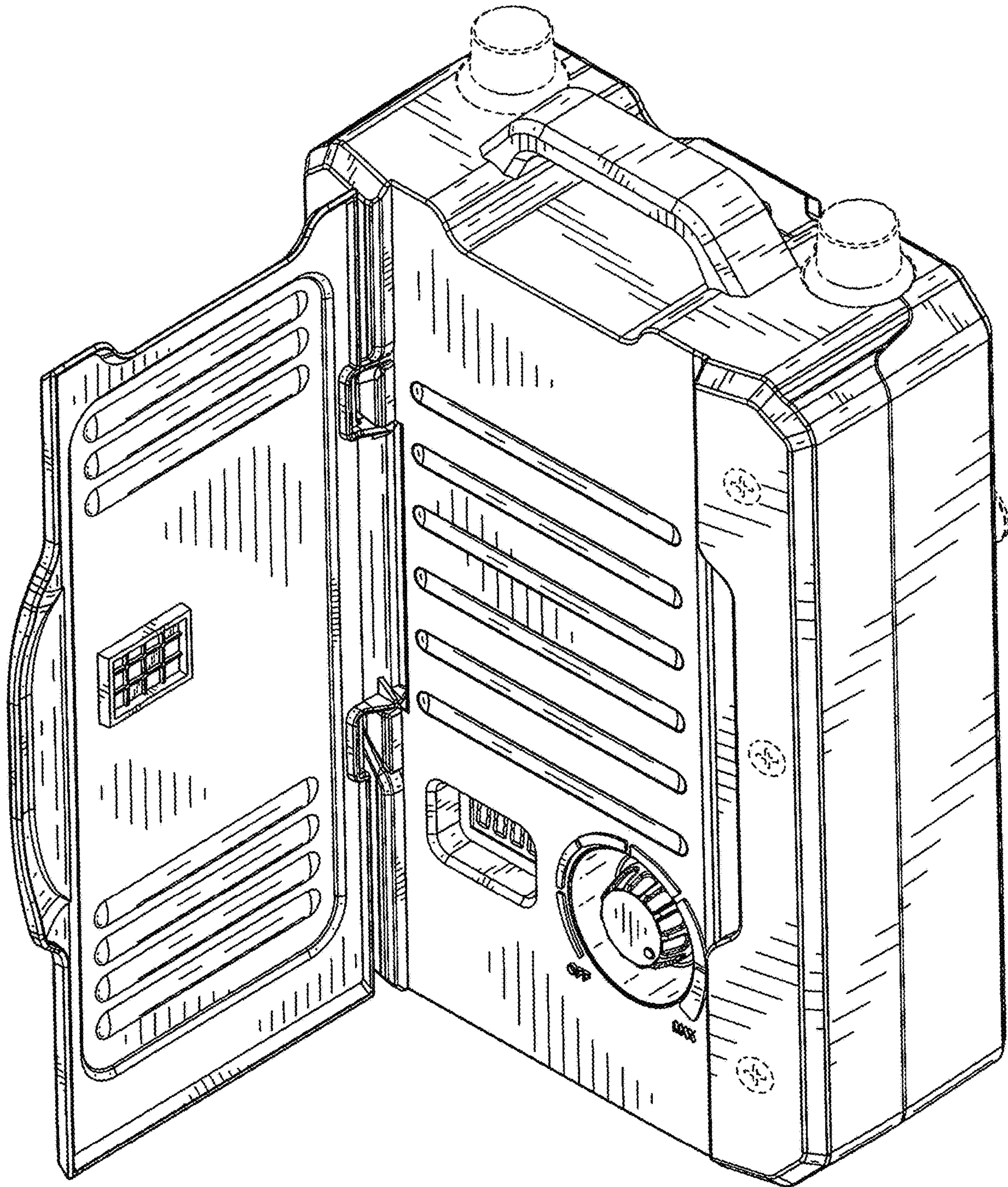


FIG. 9

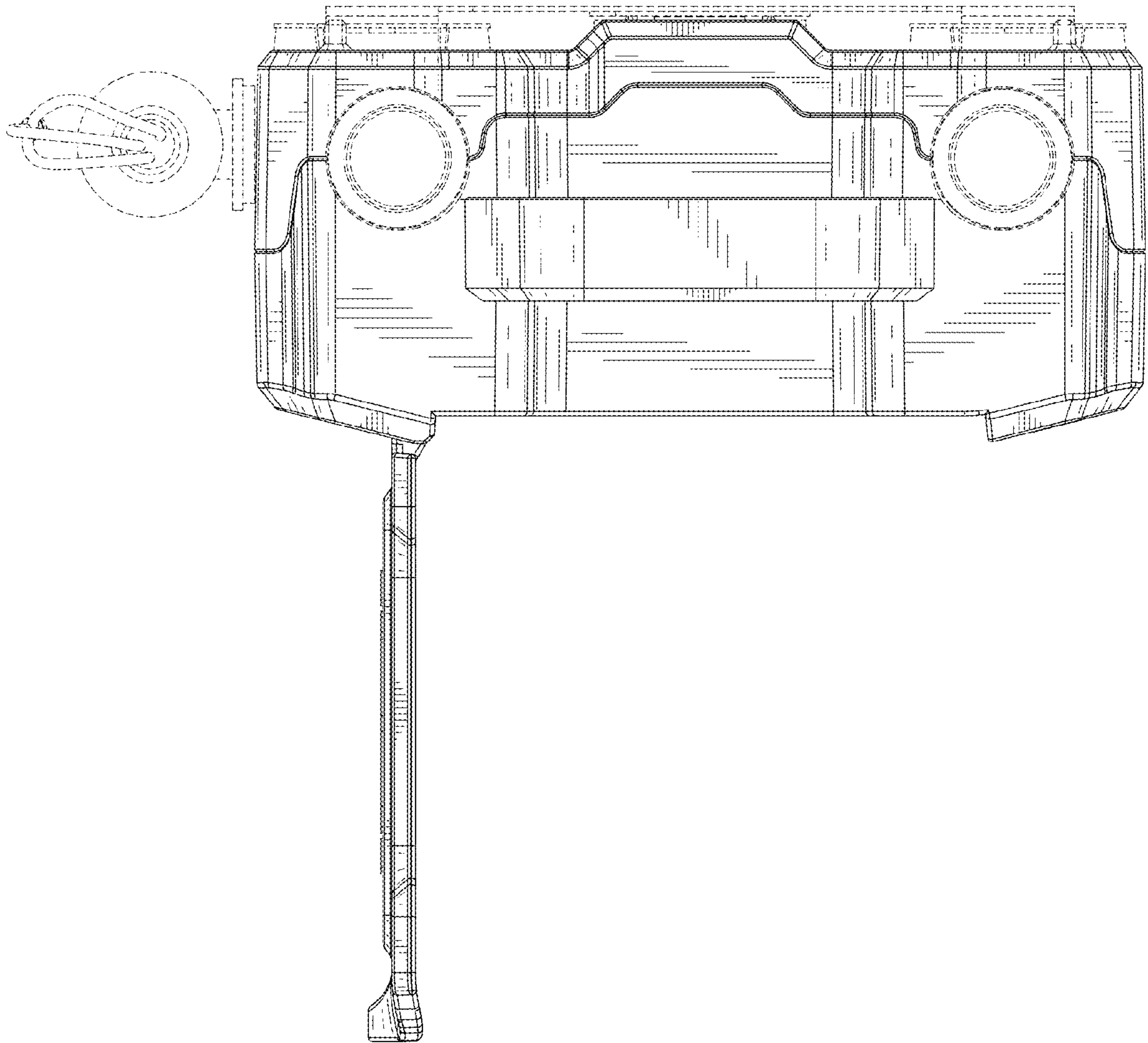


FIG. 10

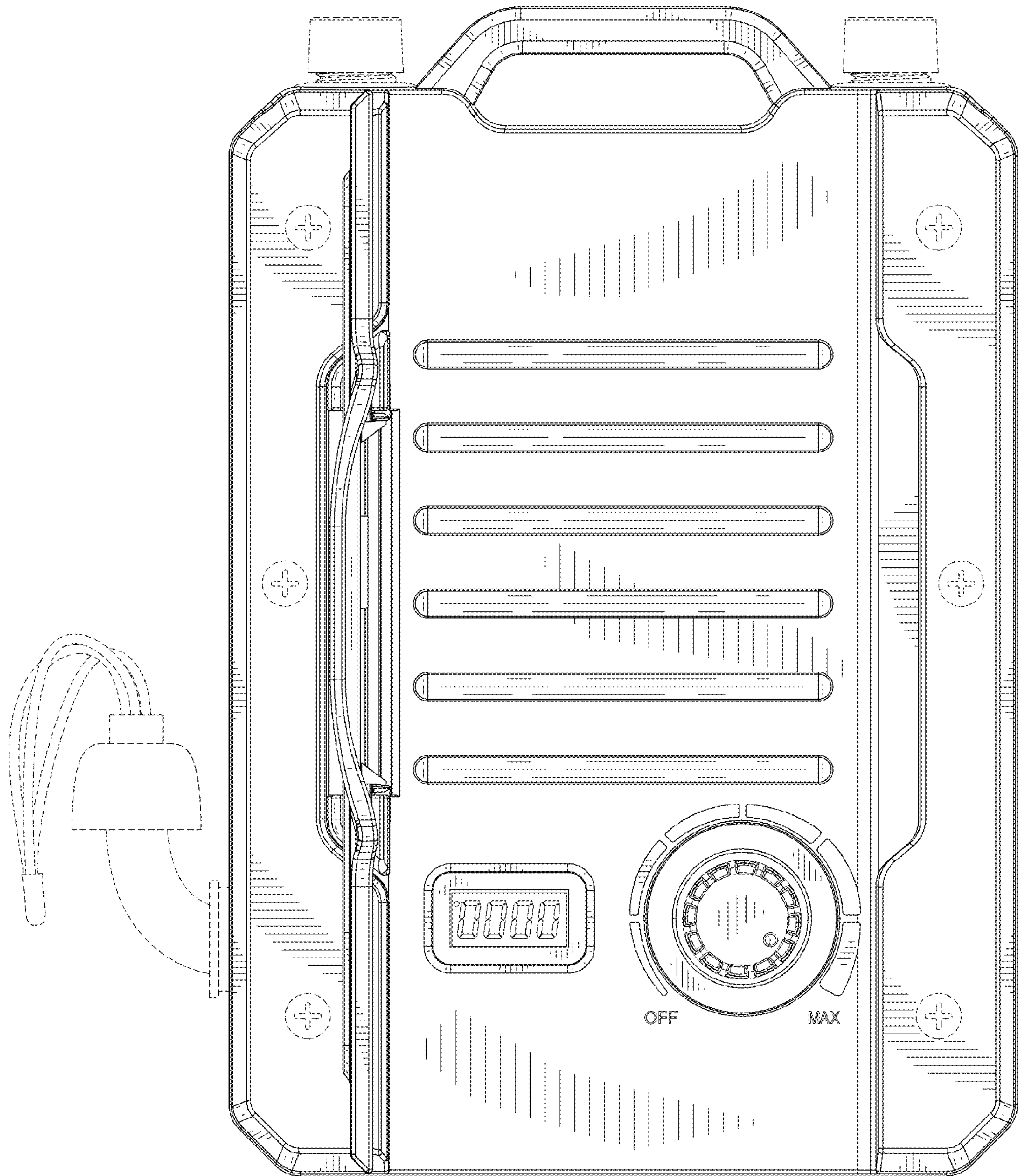


FIG. 11