



US00D921858S

(12) **United States Design Patent**
Eitschberger et al.

(10) **Patent No.:** **US D921,858 S**
(45) **Date of Patent:** **** Jun. 8, 2021**

(54) **PERFORATING GUN AND ALIGNMENT ASSEMBLY**

FOREIGN PATENT DOCUMENTS

(71) Applicant: **DynaEnergetics Europe GmbH**, Troisdorf (DE)

CA 2821506 A1 1/2015
CA 3022946 A1 11/2017
(Continued)

(72) Inventors: **Christian Eitschberger**, Munich (DE); **Thilo Scharf**, Donegal (IE); **Gernot Uwe Burmeister**, Austin, TX (US)

OTHER PUBLICATIONS

Yellow Jacket Oil Tools; Tandem Sub; 2019; 3 pages.
(Continued)

(73) Assignee: **DynaEnergetics Europe GmbH**, Troisdorf (DE)

Primary Examiner — Amy C Wierenga
(74) *Attorney, Agent, or Firm* — Moyles IP, LLC

(**) Term: **15 Years**

(57) **CLAIM**

(21) Appl. No.: **29/755,354**

We claim the ornamental design of a perforating gun and alignment assembly, as shown and described.

(22) Filed: **Oct. 20, 2020**

DESCRIPTION

Related U.S. Application Data

(63) Continuation-in-part of application No. 29/729,981, filed on Mar. 31, 2020, now Pat. No. Des. 903,064, (Continued)

(51) **LOC (13) Cl.** **23-01**

(52) **U.S. Cl.**
USPC **D23/262**; D15/139

(58) **Field of Classification Search**
USPC D15/21, 126, 138–139; D22/100, D22/108–112, 199; D8/354, 358, 382, (Continued)

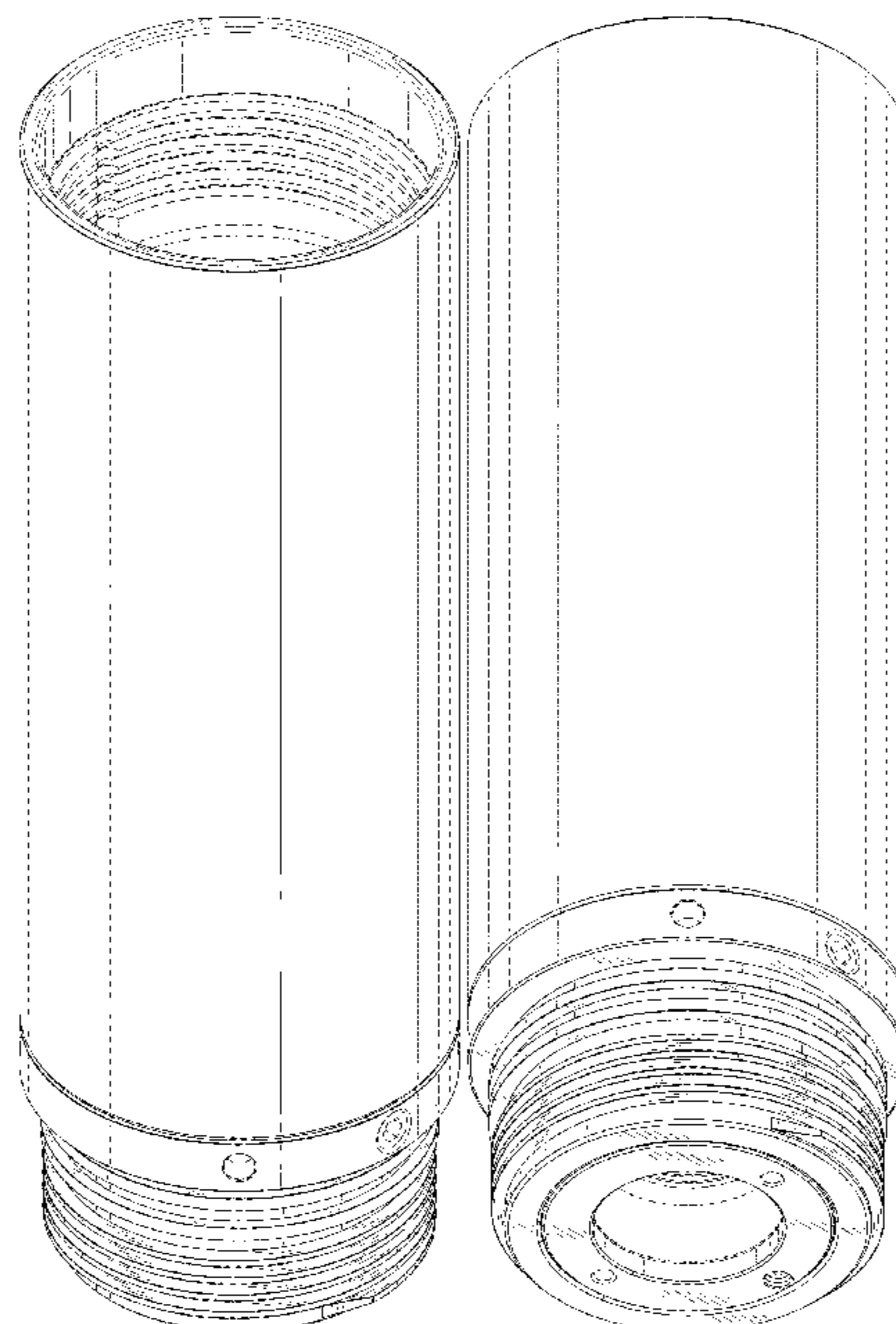
(56) **References Cited**

U.S. PATENT DOCUMENTS

2,147,544 A 2/1939 Potts
2,708,408 A 5/1955 Sweetman
(Continued)

FIG. 1 is a front, top perspective view of a perforating gun and alignment assembly showing an embodiment of our new design;
FIG. 2 is a front, bottom perspective view of the perforating gun and alignment assembly of FIG. 1;
FIG. 3 is a front elevated view of the perforating gun and alignment assembly of FIG. 1;
FIG. 4 is a rear elevated view of the perforating gun and alignment assembly of FIG. 1;
FIG. 5 is a left-side elevated view of the perforating gun and alignment assembly of FIG. 1;
FIG. 6 is a right-side elevated view of the perforating gun and alignment assembly of FIG. 1;
FIG. 7 is a top plan view of the perforating gun and alignment assembly of FIG. 1; and,
FIG. 8 is a bottom plan view of the perforating gun and alignment assembly of FIG. 1.
The broken lines consisting of dashes show an environment that forms no part of the claimed design.

1 Claim, 7 Drawing Sheets



Related U.S. Application Data

and a continuation-in-part of application No. 16/511, 495, filed on Jul. 15, 2019, now Pat. No. 10,920,543, which is a continuation of application No. 16/272, 326, filed on Feb. 11, 2019, now Pat. No. 10,458,213.

(58) **Field of Classification Search**

USPC D8/387; D23/259, 262, 266; 285/333–334

See application file for complete search history.

(56) **References Cited**

U.S. PATENT DOCUMENTS

3,154,632 A 10/1964 Browne
 3,327,792 A 6/1967 Boop
 D227,763 S 7/1973 Hand
 4,411,491 A 10/1983 Larkin et al.
 4,491,185 A 1/1985 McClure
 4,541,486 A 9/1985 Wetzal et al.
 4,574,892 A 3/1986 Grigar et al.
 4,660,910 A 4/1987 Sharp et al.
 4,676,528 A * 6/1987 Gray E21B 17/0423
 285/15
 4,747,201 A 5/1988 Donovan et al.
 4,776,393 A 10/1988 Forehand et al.
 4,830,120 A 5/1989 Stout
 4,850,438 A 7/1989 Regalbuto
 5,027,708 A 7/1991 Gonzalez et al.
 5,050,691 A 9/1991 Moses
 5,052,489 A 10/1991 Carisella et al.
 5,060,573 A * 10/1991 Montgomery E21B 29/02
 102/202.5
 5,088,413 A 2/1992 Huber
 5,322,019 A 6/1994 Hyland
 5,358,418 A 10/1994 Carmichael
 5,436,791 A 7/1995 Turano et al.
 5,603,384 A 2/1997 Bethel et al.
 5,775,426 A 7/1998 Snider et al.
 5,911,277 A 6/1999 Hromas et al.
 5,992,289 A 11/1999 George et al.
 5,992,523 A 11/1999 Burleson et al.
 D418,210 S 12/1999 Roesch
 6,050,353 A * 4/2000 Logan E21B 47/13
 175/320
 6,158,532 A * 12/2000 Logan E21B 17/028
 175/320
 6,298,915 B1 10/2001 George
 6,516,901 B1 2/2003 Falgout
 6,742,602 B2 * 6/2004 Trotechaud E21B 43/1185
 175/4.54
 6,820,693 B2 11/2004 Hales et al.
 6,902,414 B2 6/2005 Dopf et al.
 7,013,977 B2 3/2006 Nordaas
 7,074,064 B2 7/2006 Wallace
 D532,947 S 11/2006 Muscarella
 7,193,527 B2 3/2007 Hall
 7,237,626 B2 7/2007 Gurjar et al.
 7,255,183 B2 * 8/2007 Cramer E21B 17/028
 166/242.6
 7,278,491 B2 10/2007 Scott
 7,591,212 B2 9/2009 Myers, Jr. et al.
 7,661,474 B2 2/2010 Campbell et al.
 7,726,396 B2 6/2010 Briquet et al.
 7,748,447 B2 7/2010 Moore
 7,762,351 B2 7/2010 Vidal
 8,181,718 B2 5/2012 Burleson et al.
 8,182,212 B2 5/2012 Parcell
 8,186,259 B2 5/2012 Burleson et al.
 8,408,286 B2 * 4/2013 Rodgers E21B 17/07
 166/55
 D682,384 S 5/2013 Jaureguizar
 8,490,686 B2 * 7/2013 Rodgers E21B 43/1195
 166/55.1
 D712,013 S 8/2014 Mather et al.

8,869,887 B2 10/2014 Deere et al.
 8,875,787 B2 11/2014 Tassaroli
 9,206,675 B2 12/2015 Hales et al.
 9,270,051 B1 2/2016 Christiansen et al.
 9,466,916 B2 10/2016 Li et al.
 9,494,021 B2 11/2016 Parks et al.
 9,581,422 B2 2/2017 Preiss et al.
 9,587,439 B2 3/2017 Lamik-Thonhauser et al.
 9,593,548 B2 3/2017 Hill et al.
 9,605,937 B2 3/2017 Eitschberger et al.
 D783,133 S * 4/2017 Fitzhugh D23/260
 9,677,363 B2 6/2017 Schacherer et al.
 9,689,223 B2 6/2017 Schacherer et al.
 9,695,673 B1 7/2017 Latiolais
 9,702,680 B2 7/2017 Parks et al.
 9,784,549 B2 10/2017 Eitschberger
 D807,991 S * 1/2018 Fitzhugh D23/260
 9,926,750 B2 3/2018 Ringgenberg
 10,066,921 B2 9/2018 Eitschberger
 10,077,641 B2 9/2018 Rogman et al.
 10,151,152 B2 12/2018 Wight et al.
 10,273,788 B2 4/2019 Bradley et al.
 10,309,199 B2 6/2019 Eitschberger
 10,352,136 B2 7/2019 Goyeneche
 10,385,629 B2 8/2019 Spence et al.
 10,428,595 B2 10/2019 Bradley et al.
 10,429,161 B2 10/2019 Parks et al.
 10,458,213 B1 10/2019 Eitschberger et al.
 10,472,901 B2 11/2019 Engel et al.
 10,472,938 B2 11/2019 Parks et al.
 D892,278 S 8/2020 Eitschberger
 10,844,697 B2 11/2020 Preiss et al.
 D904,475 S 12/2020 Preiss
 2005/0279513 A1 * 12/2005 Eppink F16L 15/08
 166/380
 2006/0082152 A1 4/2006 Neves
 2007/0084336 A1 4/2007 Neves
 2008/0264639 A1 10/2008 Parrott et al.
 2009/0301723 A1 12/2009 Gray
 2011/0024116 A1 2/2011 McCann et al.
 2012/0152542 A1 6/2012 Le
 2012/0241169 A1 9/2012 Hales et al.
 2012/0247769 A1 10/2012 Schacherer et al.
 2013/0008639 A1 1/2013 Tassaroli et al.
 2013/0126237 A1 5/2013 Burton et al.
 2013/0199843 A1 8/2013 Ross
 2015/0136419 A1 * 5/2015 Mauldin E21B 43/116
 166/378
 2016/0084048 A1 3/2016 Harrigan et al.
 2016/0108722 A1 4/2016 Whitsitt et al.
 2016/0168961 A1 6/2016 Parks et al.
 2016/0202033 A1 7/2016 Shahinpour et al.
 2016/0281466 A1 9/2016 Richards
 2016/0333675 A1 11/2016 Wells et al.
 2016/0356132 A1 12/2016 Burmeister et al.
 2017/0138150 A1 * 5/2017 Yencho E21B 33/134
 2017/0211363 A1 7/2017 Bradley et al.
 2017/0241244 A1 8/2017 Barker
 2017/0268320 A1 9/2017 Angman et al.
 2017/0268860 A1 9/2017 Eitschberger
 2017/0314373 A9 11/2017 Bradley et al.
 2018/0119529 A1 5/2018 Goyeneche
 2018/0202789 A1 7/2018 Parks et al.
 2018/0202790 A1 7/2018 Parks et al.
 2018/0252054 A1 9/2018 Stokes
 2018/0318770 A1 11/2018 Eitschberger et al.
 2019/0048693 A1 2/2019 Henke et al.
 2019/0049225 A1 2/2019 Eitschberger
 2019/0153827 A1 5/2019 Goyeneche
 2019/0162056 A1 5/2019 Sensing
 2019/0195054 A1 6/2019 Bradley et al.
 2019/0211655 A1 7/2019 Bradley et al.
 2019/0219375 A1 7/2019 Parks et al.
 2019/0257158 A1 8/2019 Langford et al.
 2019/0366272 A1 12/2019 Eitschberger et al.
 2020/0032626 A1 1/2020 Parks et al.
 2020/0048996 A1 2/2020 Anthony et al.
 2020/0063553 A1 2/2020 Zemla et al.
 2020/0072029 A1 3/2020 Anthony et al.

(56)

References Cited

U.S. PATENT DOCUMENTS

2020/0199983 A1 6/2020 Preiss et al.
 2020/0217635 A1 7/2020 Eitschberger
 2020/0248535 A1 8/2020 Goyeneche
 2020/0362652 A1 11/2020 Eitschberger et al.
 2020/0362654 A1 11/2020 Eitschberger et al.
 2020/0399995 A1 12/2020 Preiss et al.

FOREIGN PATENT DOCUMENTS

CN 201209435 3/2009
 CN 201428439 3/2010
 CN 103485750 A 1/2014
 CN 103993861 A 8/2014
 CN 208870580 U 5/2019
 CN 110424930 A 11/2019
 EP 0180520 B1 5/1991
 GB 2548101 A 9/2017
 WO 2018213768 A1 11/2018

OTHER PUBLICATIONS

Dynaenergetics Europe; Complaint and Demand for Jury Trial, Civil Action No. 6:20-cv-01201; dated Dec. 30, 2020; 12 pages.

G&H Diversified Manufacturing, LP; Complaint for Declaratory Judgement for Civil Action No. 3:20-cv-00376; dated Dec. 14, 2020; 7 pages.

United States Patent Trial and Appeal Board; Decision Denying Institution of Post-Grant Review; PGR No. 2020-00072; dated Jan. 19, 2021; 38 pages.

Amit Govil, Selective Perforation: A Game Changer in Perforating Technology—Case Study, presented at the 2012 European and West African Perforating Symposium, Schlumberger, Nov. 7-9, 2012, 14 pgs.

Core Lab, ZERO180™ Gun System Assembly and Arming Procedures, 2015, 33 pgs., <https://www.corelab.com/owen/CMS/docs/Manuals/gunsys/zero180/MAN-Z180-000.pdf>.

Dynaenergetics Europe GmbH; Patent Owner's Preliminary Response for PGR2020-00072; dated Oct. 23, 2020; 108 pages.

Dynaenergetics Europe GmbH; Patent Owner's Preliminary Response for PGR2020-00080; dated Nov. 18, 2020; 119 pages.

Dynaenergetics Europe; Complaint and Demand for Jury Trial, Civil Action No. 6:20-cv-00069; dated Jan. 30, 2020; 9 pages.

Dynaenergetics Europe; Complaint and Demand for Jury Trial, Civil Action No. 4:17-cv-03784; dated Dec. 14, 2017; 7 pages.

Dynaenergetics Europe; DynaEnergetics exhibition and product briefing; 2013; 15 pages.

Dynaenergetics Europe; Plaintiffs' Motion to Dismiss Defendants' Counterclaim and to strike Affirmative Defenses, Civil Action No. 4:17-cv-03784; dated Feb. 20, 2018; 9 pages.

Dynaenergetics Europe; Plaintiffs' Preliminary Claim Constructions and Identification of Extrinsic Evidence Civil Action No. 4:17-cv-03784; dated Aug. 3, 2018; 9 pages.

Dynaenergetics Europe; Plaintiffs' Preliminary Infringement Contentions, Civil Action No. 6:20-cv-00069-ADA; dated Apr. 22, 2020; 32 pages.

Dynaenergetics Europe; Plaintiffs' Response to Defendants' Answer to Second Amended Complaint Civil Action No. 6:20-cv-00069-ADA; dated May 26, 2020; 18 pages.

GE Oil & Gas, Addressable Downhole Release Tools, Mar. 23, 2018, 5 pgs., <https://www.bhge.com/upstream/evaluation/wireline-products-and-equipment/downhole-equipment/addressable-downhole-release-tools>.

Hunting Titan Division, Marketing White Paper: H-1® Perforating Gun System, Jan. 2017, 5 pgs., http://www.hunting-intl.com/media/2674690/White%20Paper%20-%20H-1%20Perforating%20Gun%20Systems_January%202017.pdf.

Hunting Titan Ltd.; Defendants' Answer and Counterclaims, Civil Action No. 4:19-cv-01611, consolidated to Civil Action No. 4:17-cv-03784; dated May 28, 2019; 21 pages.

Hunting Titan Ltd.; Petition for Inter Partes Review of U.S. Pat. No. 9,581,422 Case No. IPR2018-00600; dated Feb. 16, 2018; 93 pages.
 Hunting Titan Ltd.; Defendants' Answer and Counterclaims, Civil Action No. 6:20-cv-00069; dated Mar. 17, 2020; 30 pages.

Hunting Titan Ltd.; Defendants' Answer to First Amended Complaint and Counterclaims, Civil Action No. 6:20-cv-00069; dated Apr. 6, 2020; 30 pages.

Hunting Titan Ltd.; Defendants' Answer to Second Amended Complaint and Counterclaims, Civil Action No. 6:20-cv-00069; dated May 12, 2020; 81 pages.

Hunting Titan Ltd.; Defendants Invalidation Contentions Pursuant to Patent Rule 3-3, Civil Action No. 4:17-cv-03784; dated Jul. 6, 2018; 29 pages.

Hunting Titan Ltd.; Defendants' Objections and Responses to Plaintiffs' First Set of Interrogatories, Civil Action No. 4:17-cv-03784; dated Jun. 11, 2018.

Hunting Titan Ltd.; Defendants' Opposition to Plaintiffs' Motion to Dismiss and Strike Defendants' Amended Counterclaim and Affirmative Defenses for Unenforceability due to Inequitable Conduct for Civil Action No. 4:17-cv-03784; dated Apr. 24, 2018; 8 pages.

Hunting Titan, T-Set Setting Tool Product Catalog, 2015, 87 pgs., http://www.hunting-intl.com/media/1872254/AMG-1054.HT_T-Set_Catalog_LowRes.pdf.

Jet Research Center, Velocity™ Perforating System Plug and Play Guns For Pumpdown Operation, Ivarado, Texas, Jul. 2019, 8 pgs., <https://www.jetresearch.com/content/dam/jrc/Documents/Brochures/jrc-velocity-perforating-system.pdf>.

Owens Oil Tools, E & B Select Fire Side Port Tandem Sub Assembly, 2009, 9 pgs., <https://www.corelab.com/owen/CMS/docs/Manuals/gunsys/MAN-30-XXX-0002-96-R00.pdf>.

Parrot, Robert; Declaration, PGR 2020-00080; dated Aug. 11, 2020; 400 pages.

Patent Trial and Appeal Board; Decision Granting Patent Owner's Request for Rehearing and Motion to Amend for IPR2018-00600; dated Jul. 6, 2020; 27 pages.

Preiss Frank et al.; Lowering Total Cost of Operations Through Higher Perforating Efficiency while simultaneously enhancing safety; 26 pages.

Rodgers, John; Declaration for PGR2020-00072; dated Oct. 23, 2020; 116 pages.

Rodgers, John; Declaration for PGR2020-00080; dated Nov. 18, 2020; 142 pages.

Scharf Thilo; Declaration for PGR2020-00080; dated Nov. 16, 2020; 16 pages.

Scharf, Thilo; Declaration for PGR2020-00072; dated Oct. 22, 2020; 13 pages.

Schlumberger, Perforating Services Catalog, 2008, 521 pages.

Schlumberger; Selective Perforation: A Game Changer in Perforating Technology—Case Study; issued 2012; 14 pages.

United States Patent and Trademark Office, Case IPR2018-00600 for U.S. Pat. No. 9,581,422 B2, Reply in Support of Patent Owner's Motion to Amend, dated Mar. 21, 2019, 15 pgs.

United States Patent and Trademark Office, Case IPR2018-00600 for U.S. Pat. No. 9,581,422 B2, DynaEnergetics GmbH & Co. KG's Patent Owner Preliminary Response, dated May 22, 2018, 47 pgs.

United States Patent and Trademark Office, Case IPR2018-00600 for U.S. Pat. No. 9,581,422 B2, Order Granting Precedential Opinion Panel, Paper No. 46, dated Nov. 7, 2019, 4 pgs.

United States Patent and Trademark Office, Case IPR2018-00600 for U.S. Pat. No. 9,581,422 B2, Patent Owner's Motion to Amend, dated Dec. 6, 2018, 53 pgs.

United States Patent and Trademark Office, Case IPR2018-00600 for U.S. Pat. No. 9,581,422 B2, Owner's Opening Submission to Precedential Opinion Panel, dated Dec. 20, 2019, 21 pgs.

United States Patent and Trademark Office, Case IPR2018-00600 for U.S. Pat. No. 9,581,422 B2, Patent Owner's Request for Hearing, dated Sep. 18, 2019, 19 pgs.

United States Patent and Trademark Office, Case IPR2018-00600 for U.S. Pat. No. 9,581,422 B2, Patent Owner's Responsive Submission to Precedential Opinion Panel, dated Jan. 6, 2020, 16 pgs.

United States Patent and Trademark Office, Case IPR2018-00600 for U.S. Pat. No. 9,581,422 B2, Patent Owner's Sur-reply, dated Mar. 21, 2019, 28 pgs.

(56)

References Cited

OTHER PUBLICATIONS

United States Patent and Trademark Office, Case IPR2018-00600 for U.S. Pat. No. 9,581,422 B2, Petitioner's Additional Briefing to the Precedential Opinion Panel, dated Dec. 20, 2019, 23 pgs.

United States Patent and Trademark Office, Case IPR2018-00600 for U.S. Pat. No. 9,581,422 B2, Petitioner's Opposition to Patent Owner's Motion to Amend, dated Mar. 7, 2019, 30 pgs.

United States Patent and Trademark Office, Case IPR2018-00600 for U.S. Pat. No. 9,581,422 B2, Petitioner's Reply Briefing to the Precedential Opinion Panel, dated Jan. 6, 2020, 17 pgs.

United States Patent and Trademark Office, Case IPR2018-00600 for U.S. Pat. No. 9,581,422 B2, Petitioner's Reply in Inter Panes Review of U.S. Pat. No. 9,581,422, dated Mar. 7, 2019, 44 pgs.

United States Patent and Trademark Office, Final Written Decision of Case IPR2018-00600 for U.S. Pat. No. 9,581,422 B2, Paper No. 42, dated Aug. 20, 2019, 31 pgs.

United States Patent and Trademark Office, U.S. Pat. No. 10,429,161; 263 pages.

United States Patent and Trademark Office, U.S. Pat. No. 10,472,938; 485 pages.

United States Patent and Trial Appeal Board; Final Written Decision on IPR2018-00600; dated Aug. 20, 2019; 31 pages.

Yellow Jacket Oil Tools, Orienting Sub, 2019, 2 pgs., <https://www.yjoiltools.com/Wireline-Subs/Orienting-Sub>.

* cited by examiner

FIG. 1

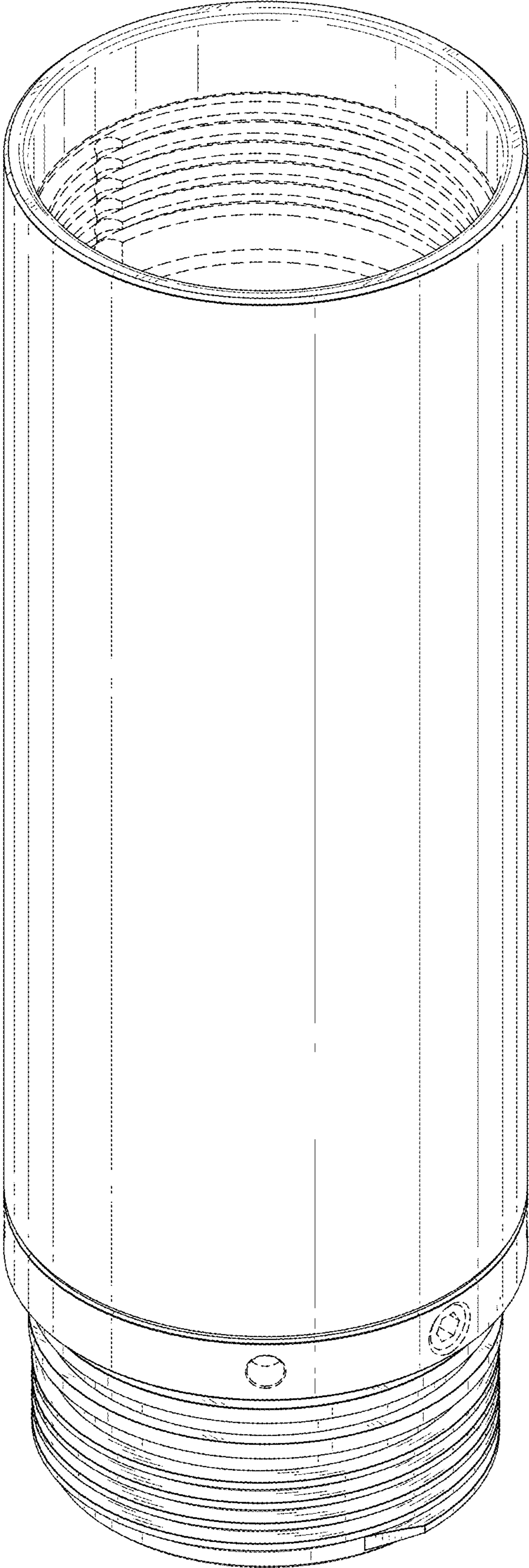


FIG. 2

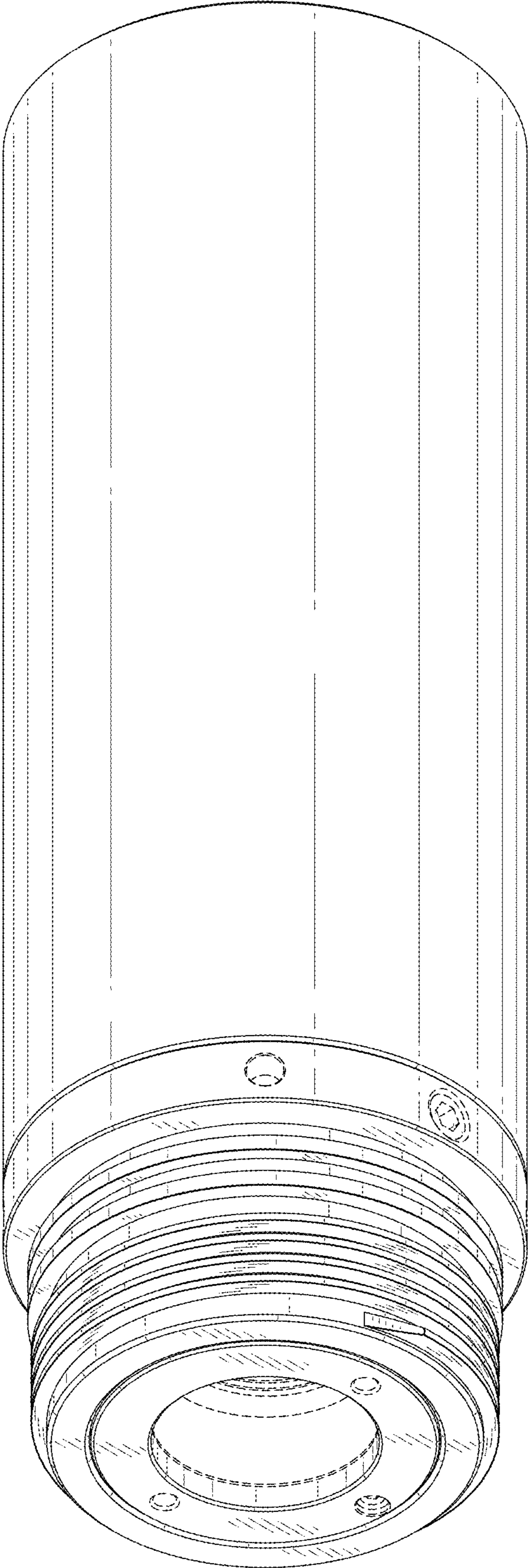


FIG. 3

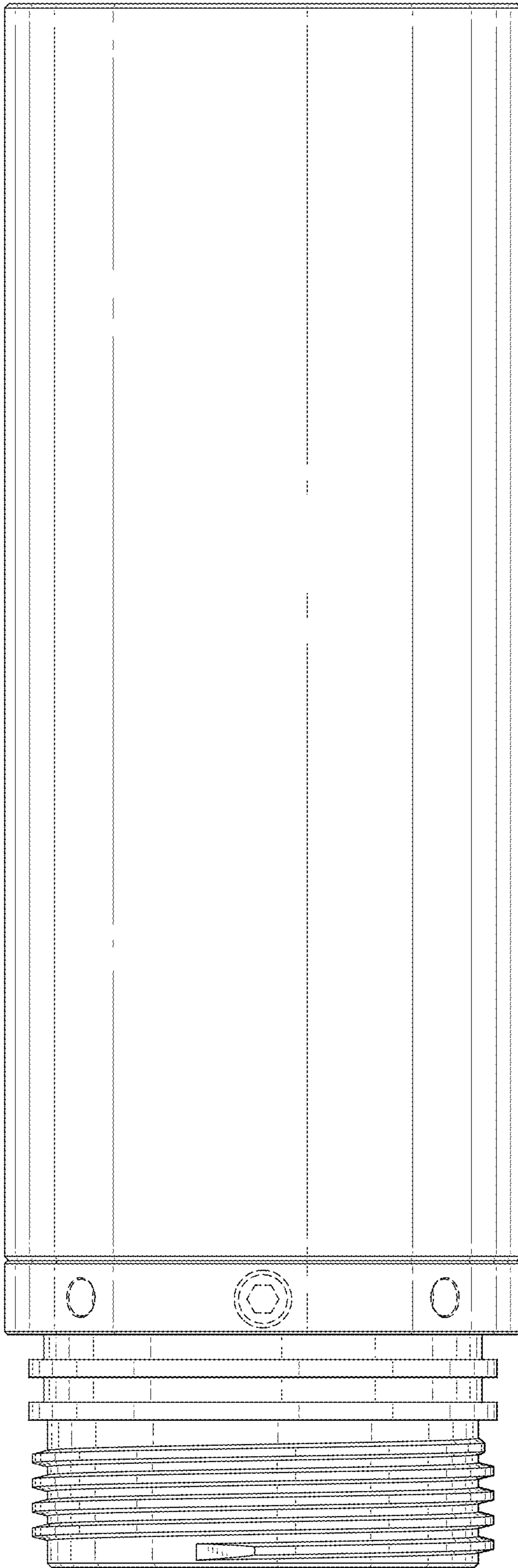


FIG. 4

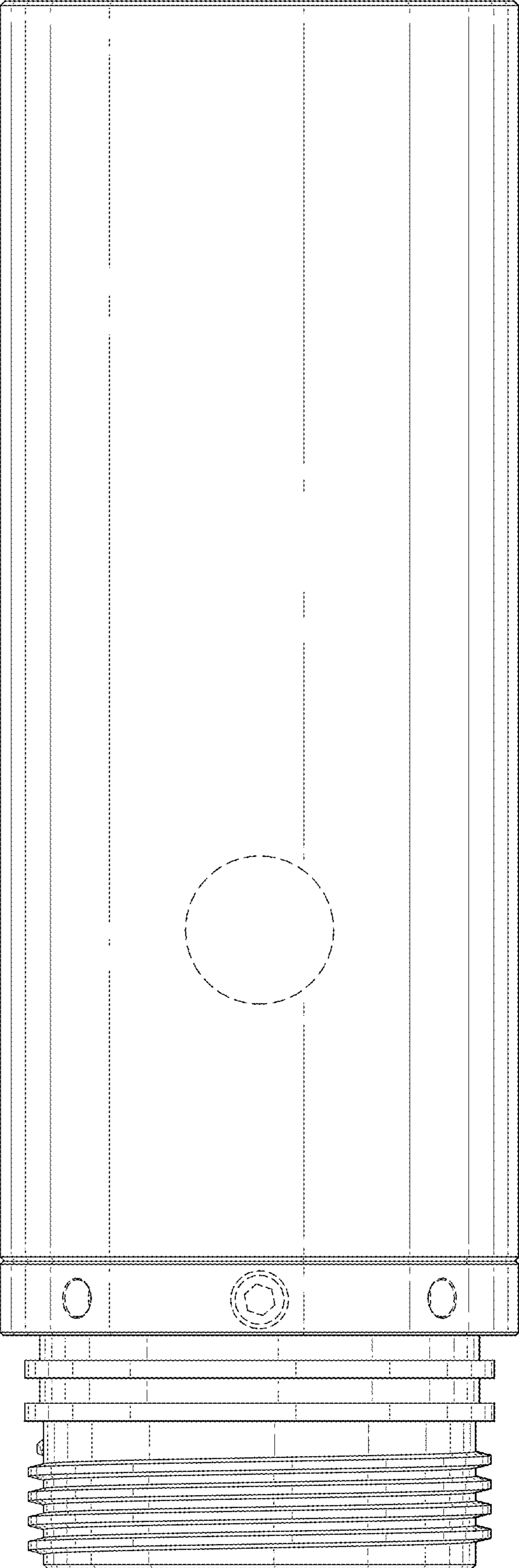


FIG. 5

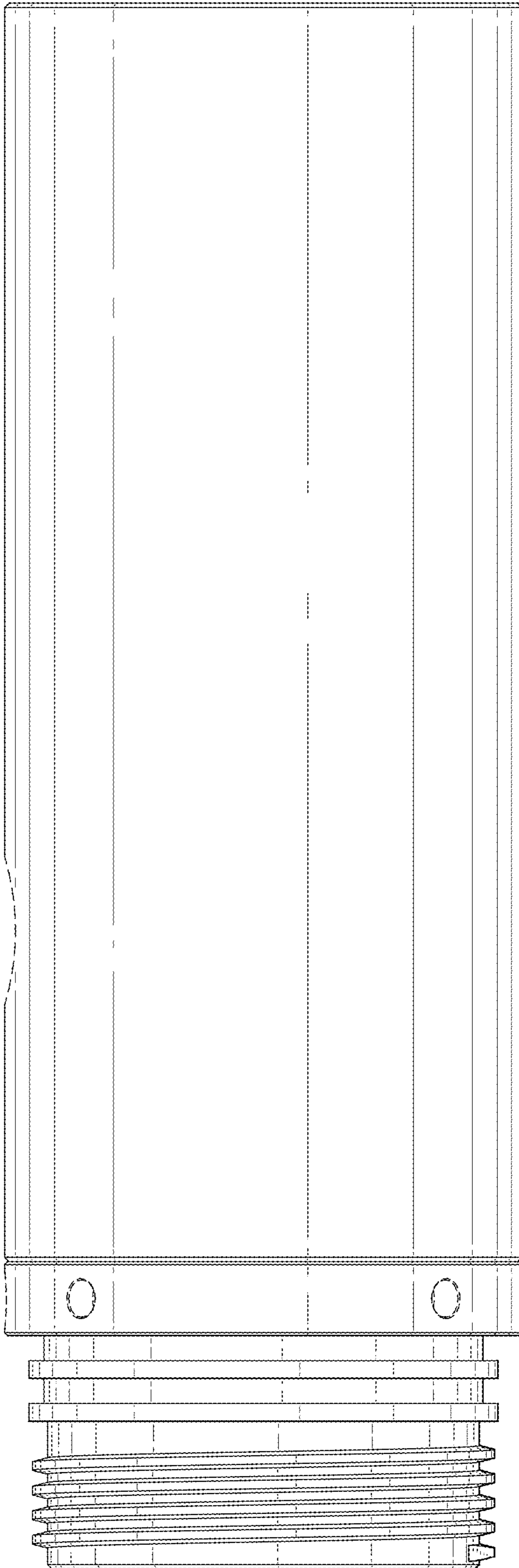
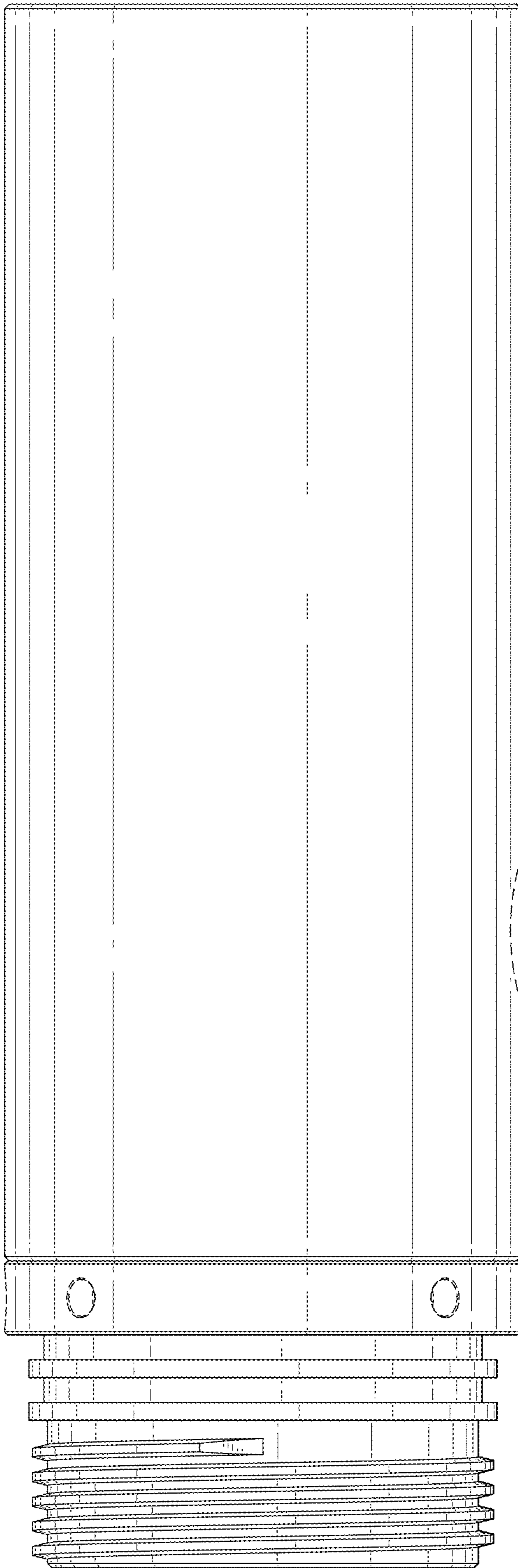


FIG. 6



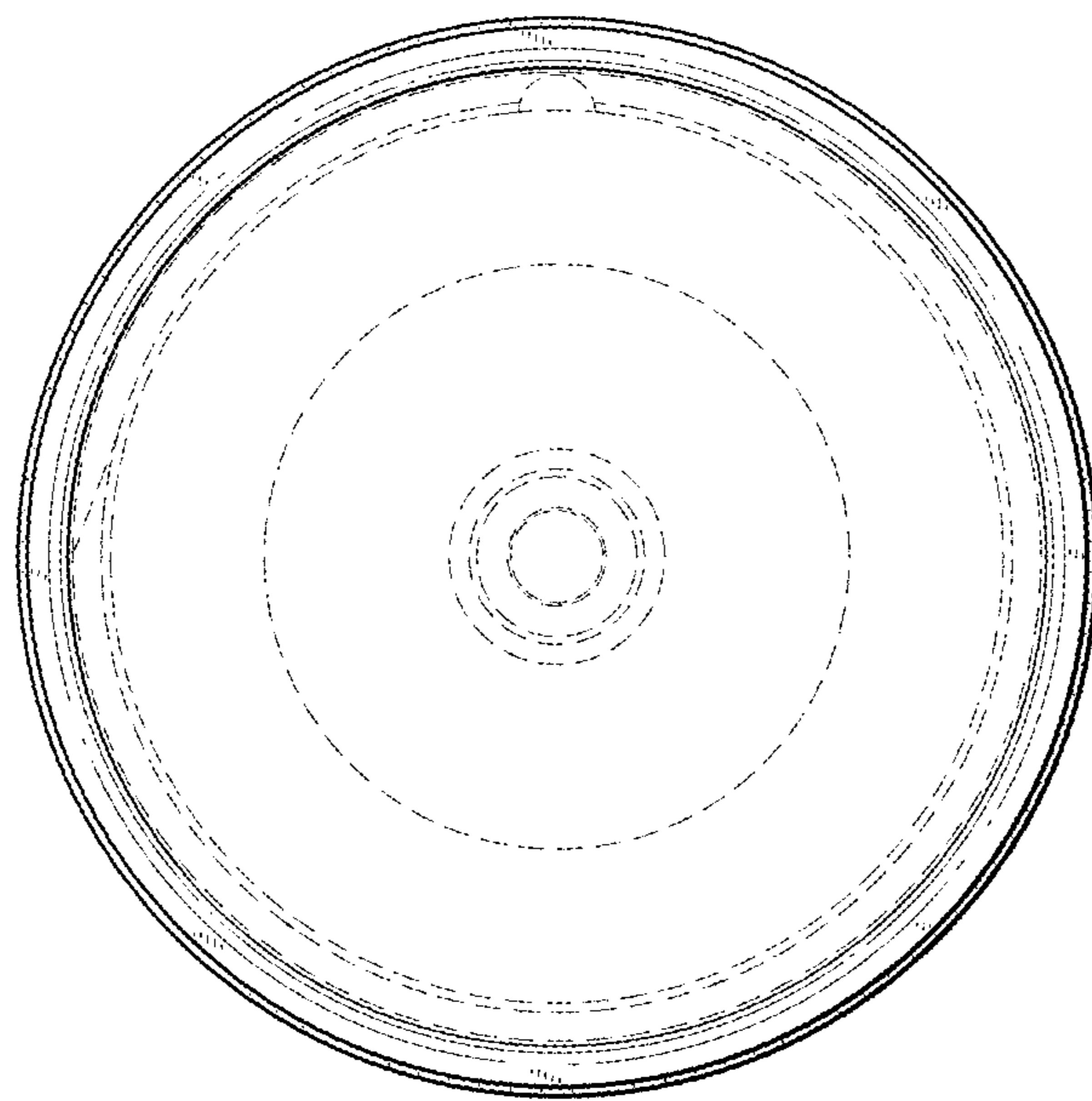


FIG. 7

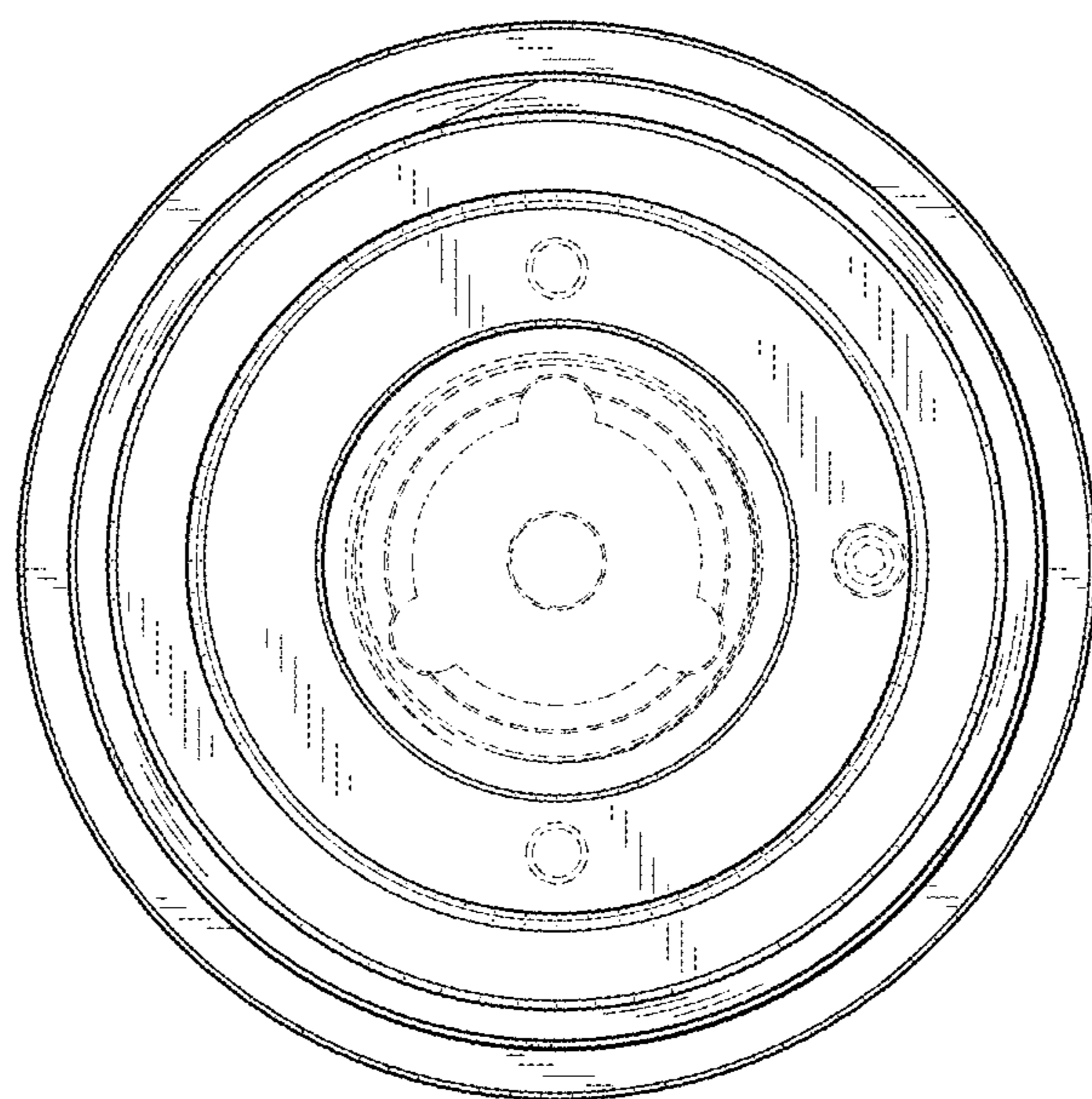


FIG. 8