



US00D921857S

(12) **United States Design Patent**
Vaz et al.

(10) **Patent No.:** **US D921,857 S**

(45) **Date of Patent:** **** *Jun. 8, 2021**

(54) **FEMALE HOSE COUPLING**

(71) Applicant: **TEKNOR APEX COMPANY,**
Pawtucket, RI (US)

(72) Inventors: **David Vaz,** Riverside, RI (US); **Mark Buchan,** Norton, MA (US)

(73) Assignee: **TEKNOR APEX COMPANY,**
Pawtucket, RI (US)

(*) Notice: This patent is subject to a terminal disclaimer.

(**) Term: **15 Years**

(21) Appl. No.: **29/754,317**

(22) Filed: **Oct. 9, 2020**

(51) **LOC (13) Cl.** **23-01**

(52) **U.S. Cl.**
USPC **D23/262**

(58) **Field of Classification Search**
USPC D23/259, 262-266, 245, 213, 233, 235;
285/197-200, 249, 389, 305; 137/315.23,
137/798; 138/109-110, 155, 96 T;
D13/133, 151; D8/382, 396-397;
D24/112, 127, 129; D9/440
CPC F16L 37/252; F16L 43/00; F16L 19/02;
F16L 57/005
See application file for complete search history.

(56) **References Cited**

U.S. PATENT DOCUMENTS

- 2,565,572 A * 8/1951 Pangborn F16L 37/23
285/277
- 2,813,730 A * 11/1957 Courtot F16L 33/22
285/242

- 4,467,837 A * 8/1984 Baker B29C 63/34
138/119
- D392,722 S * 3/1998 Kurz D23/262
- D631,351 S * 1/2011 Coon D9/453
- D736,357 S * 8/2015 Melo D23/262
- D736,358 S * 8/2015 Melo D23/262
- D744,564 S * 12/2015 Hassan D15/144
- D763,816 S * 8/2016 Hassan D15/144
- D779,640 S * 2/2017 Vaz D23/262
- D782,623 S * 3/2017 Vaz D23/262
- D785,141 S * 4/2017 Vaz D23/259
- D876,593 S 2/2020 Vaz et al.
- 2010/0012660 A1* 1/2010 Morini B65D 51/2864
220/502

* cited by examiner

Primary Examiner — Amy C Wierenga

(74) *Attorney, Agent, or Firm* — Hudak, Shunk & Farine
Co. LPA

(57) **CLAIM**

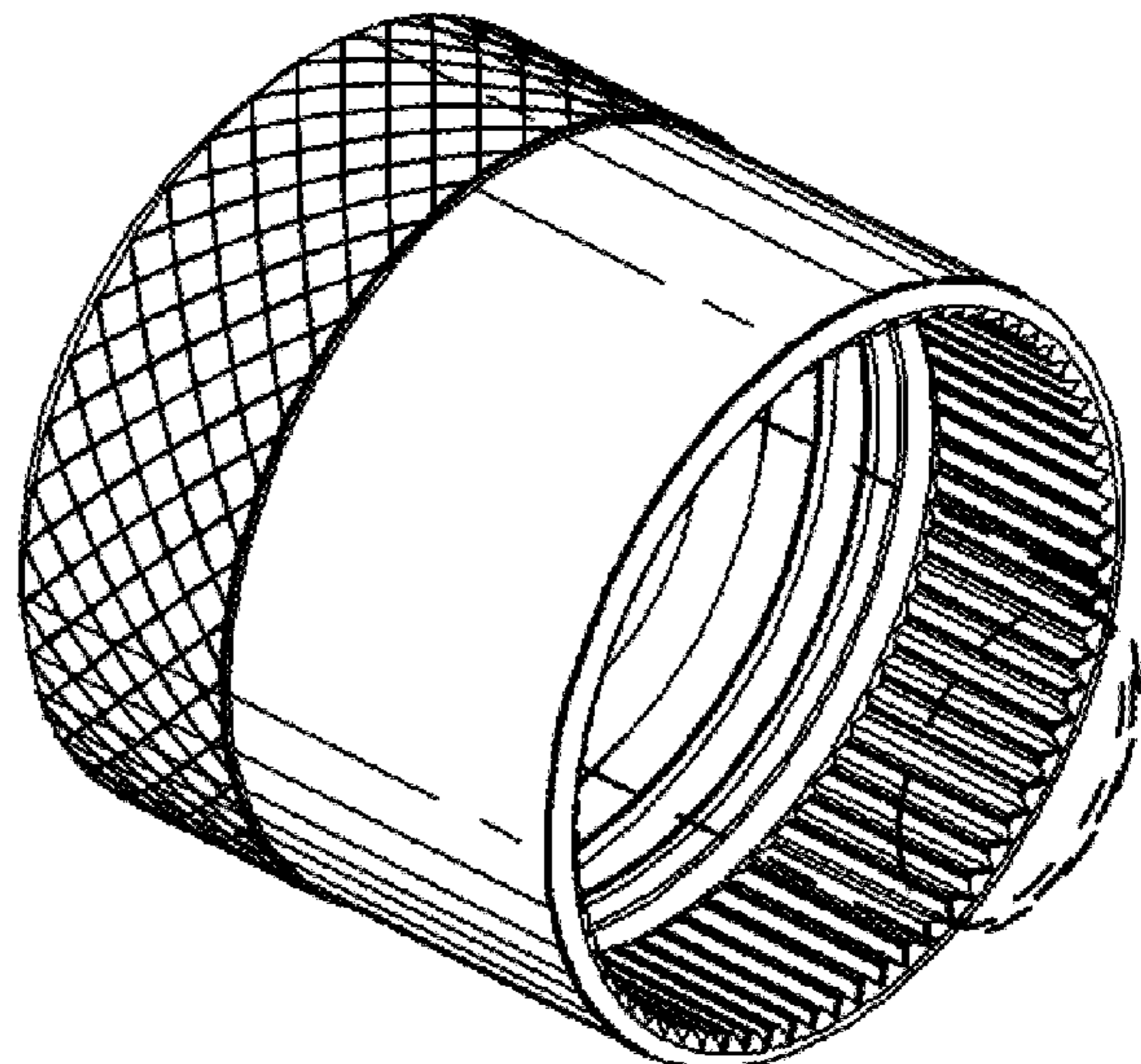
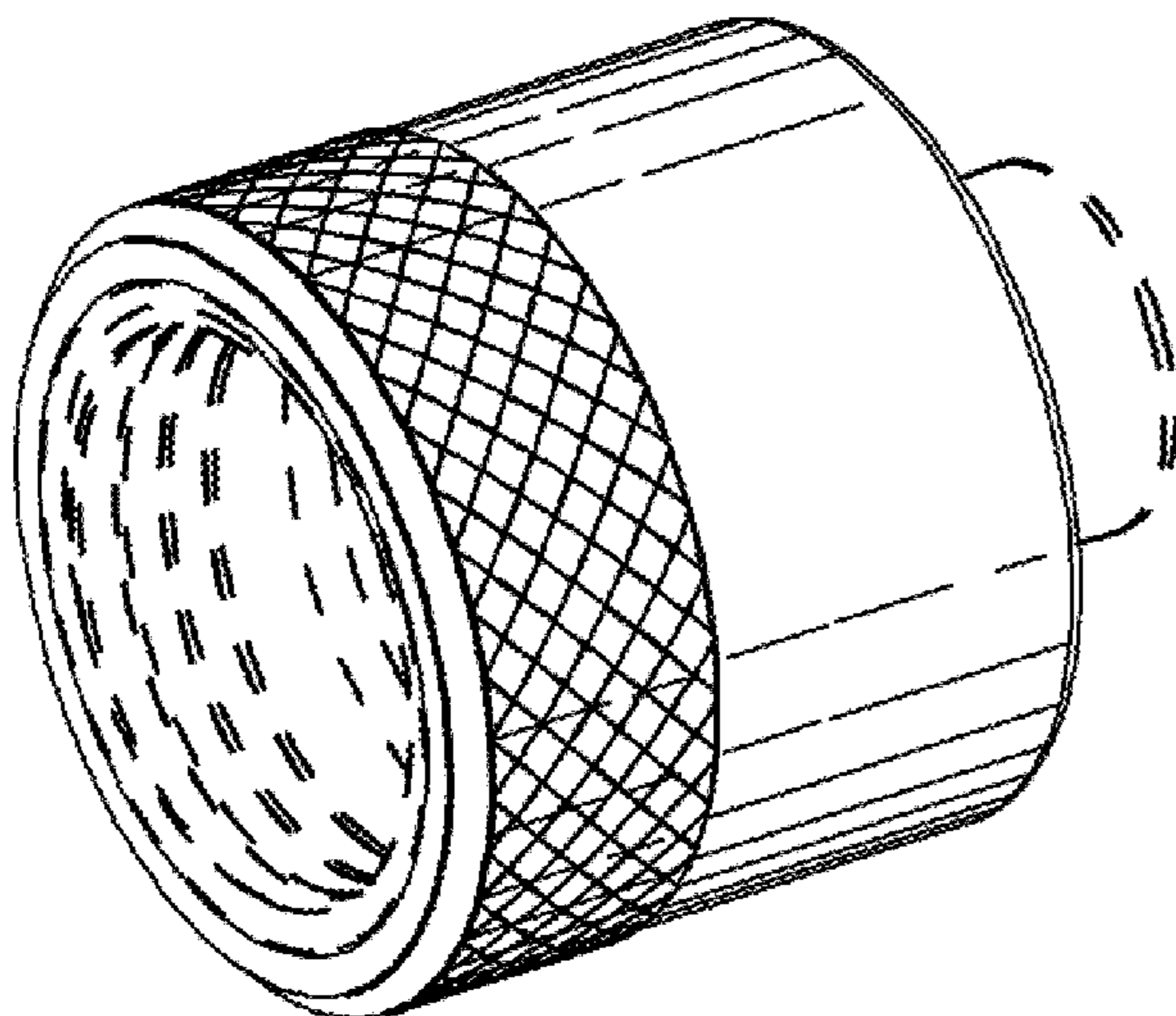
An ornamental design for a female hose coupling, as shown and described.

DESCRIPTION

FIG. 1 is a front perspective view of a female hose coupling; FIG. 2 is a side view of the female hose coupling; FIG. 3 is a front view of the female hose coupling; FIG. 4 is a rear view of the female hose coupling; and FIG. 5 is a rear perspective view of the female hose coupling; and, FIG. 6 is a partial cross-sectional view taken along line 6-6 of FIG. 2.

The broken lines in the drawings depict portions of the female hose coupling that form no part of the claimed design.

1 Claim, 1 Drawing Sheet



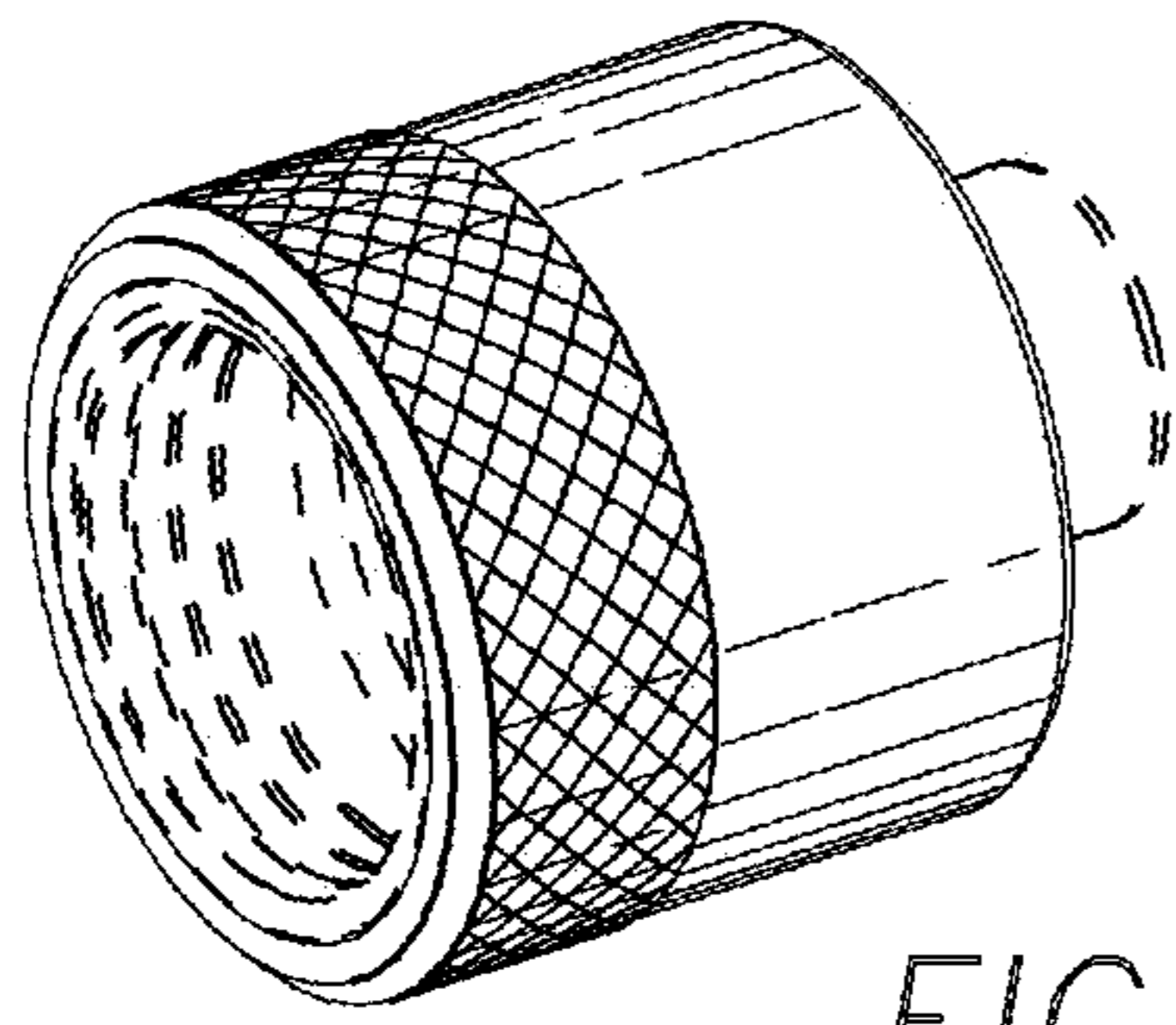


FIG. 1

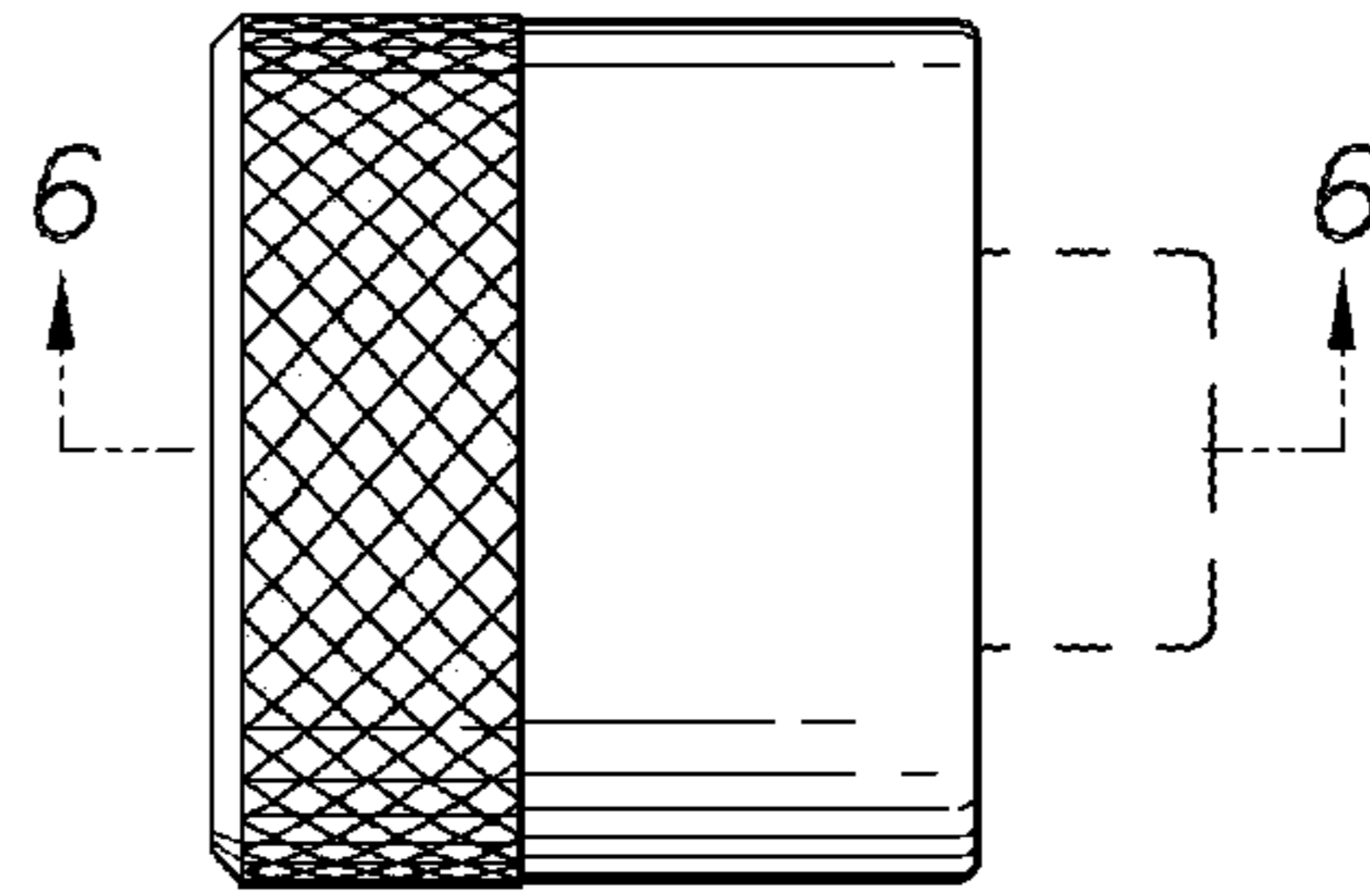


FIG. 2

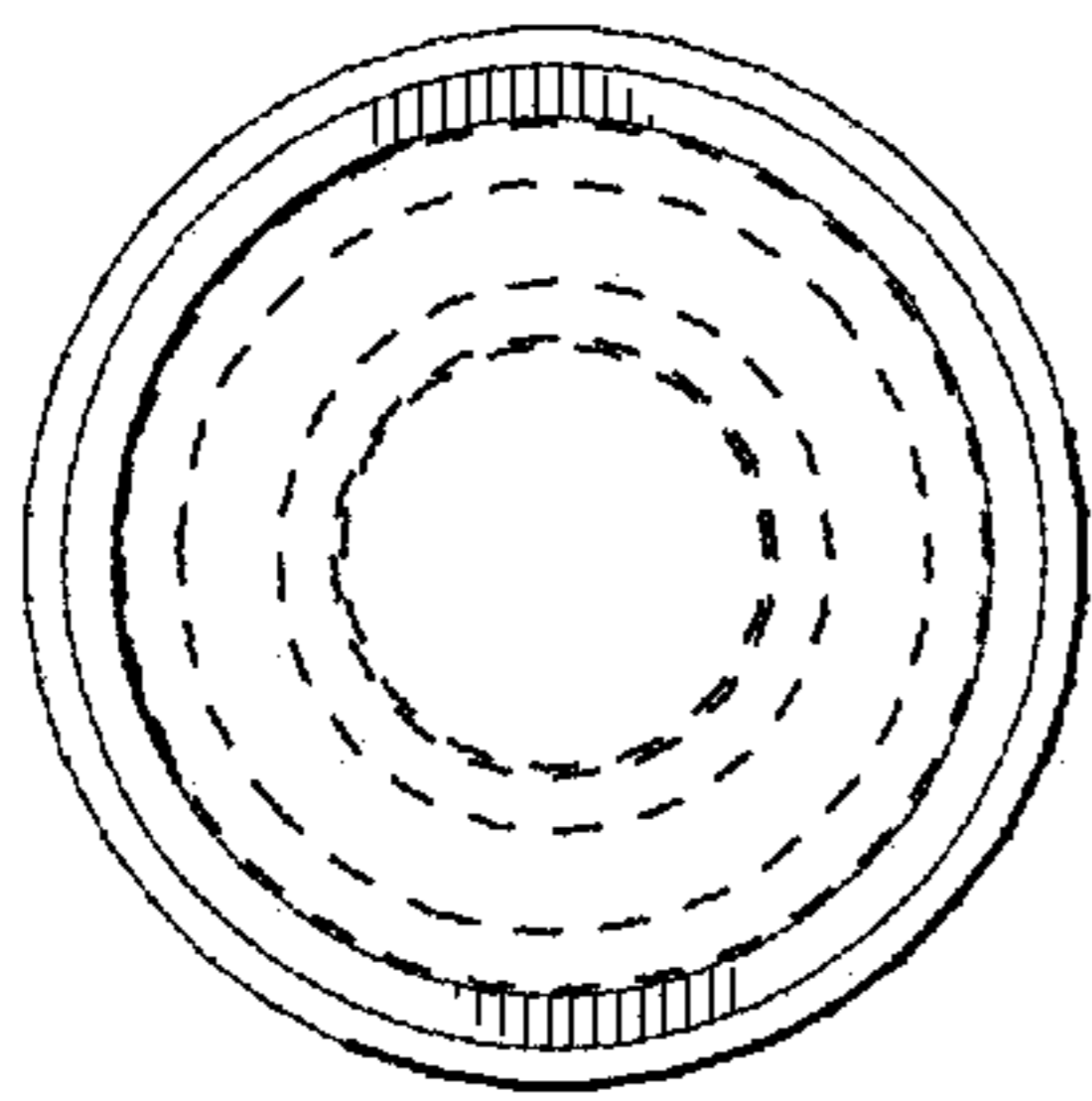


FIG. 3

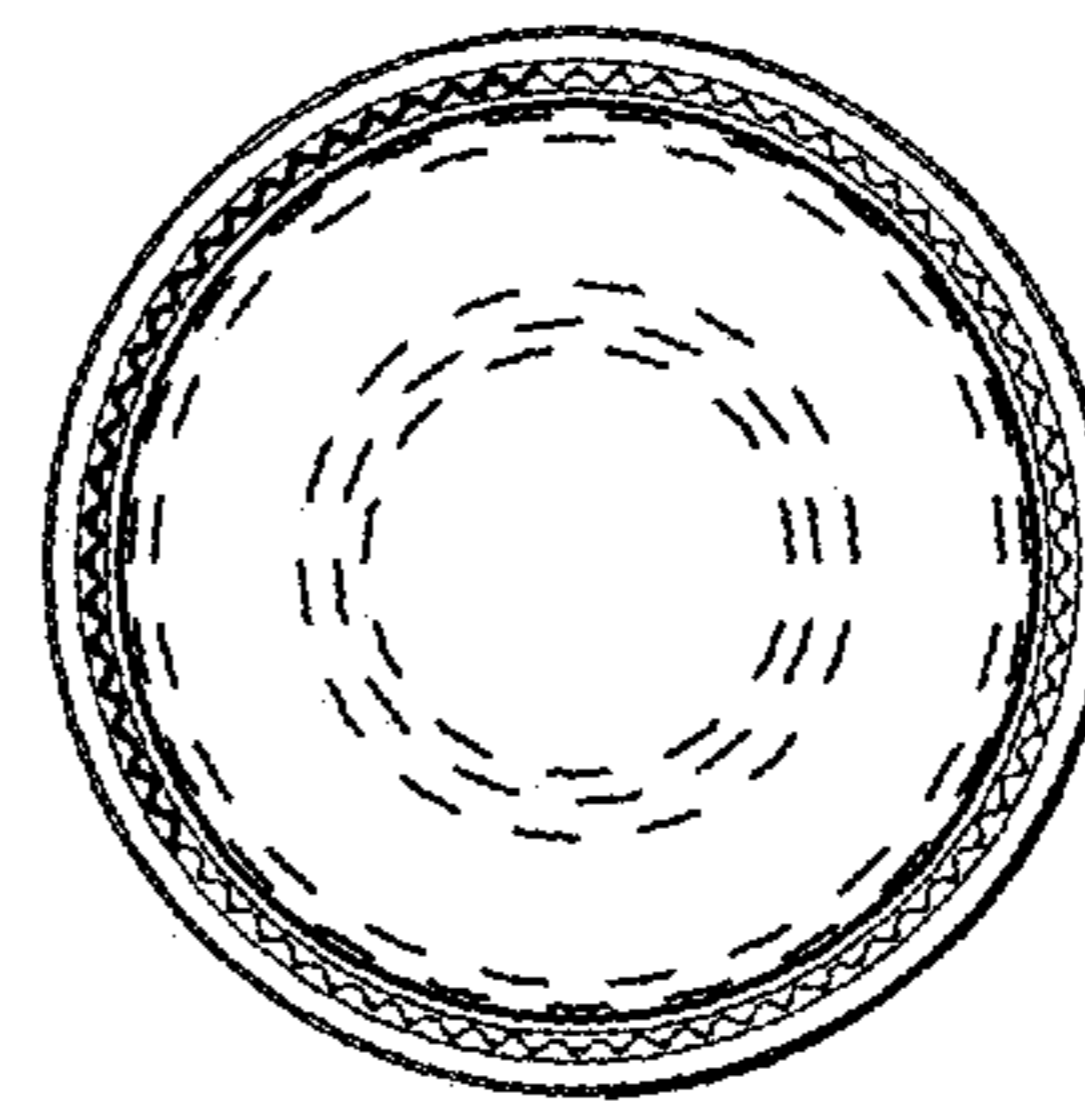


FIG. 4

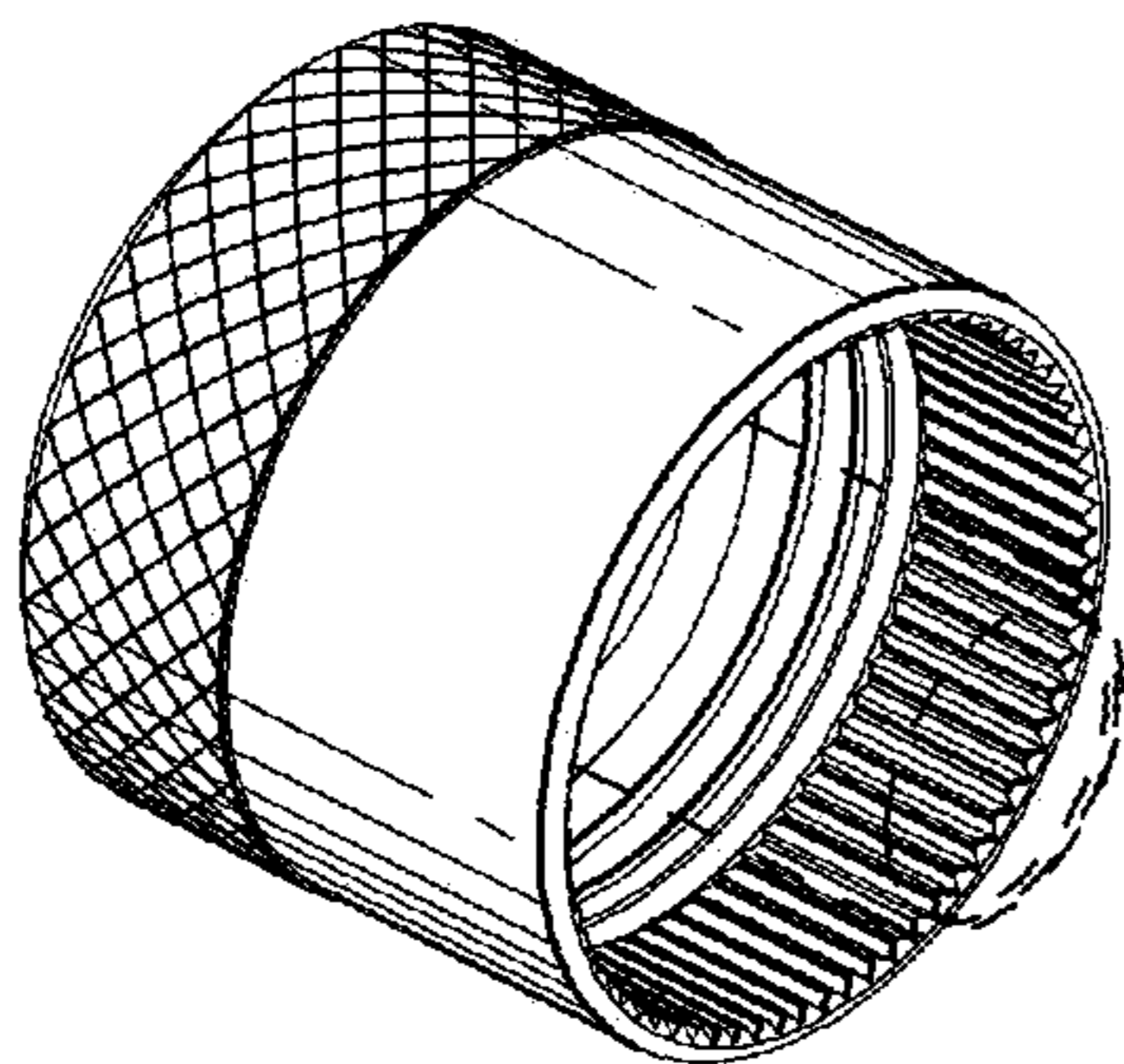


FIG. 5

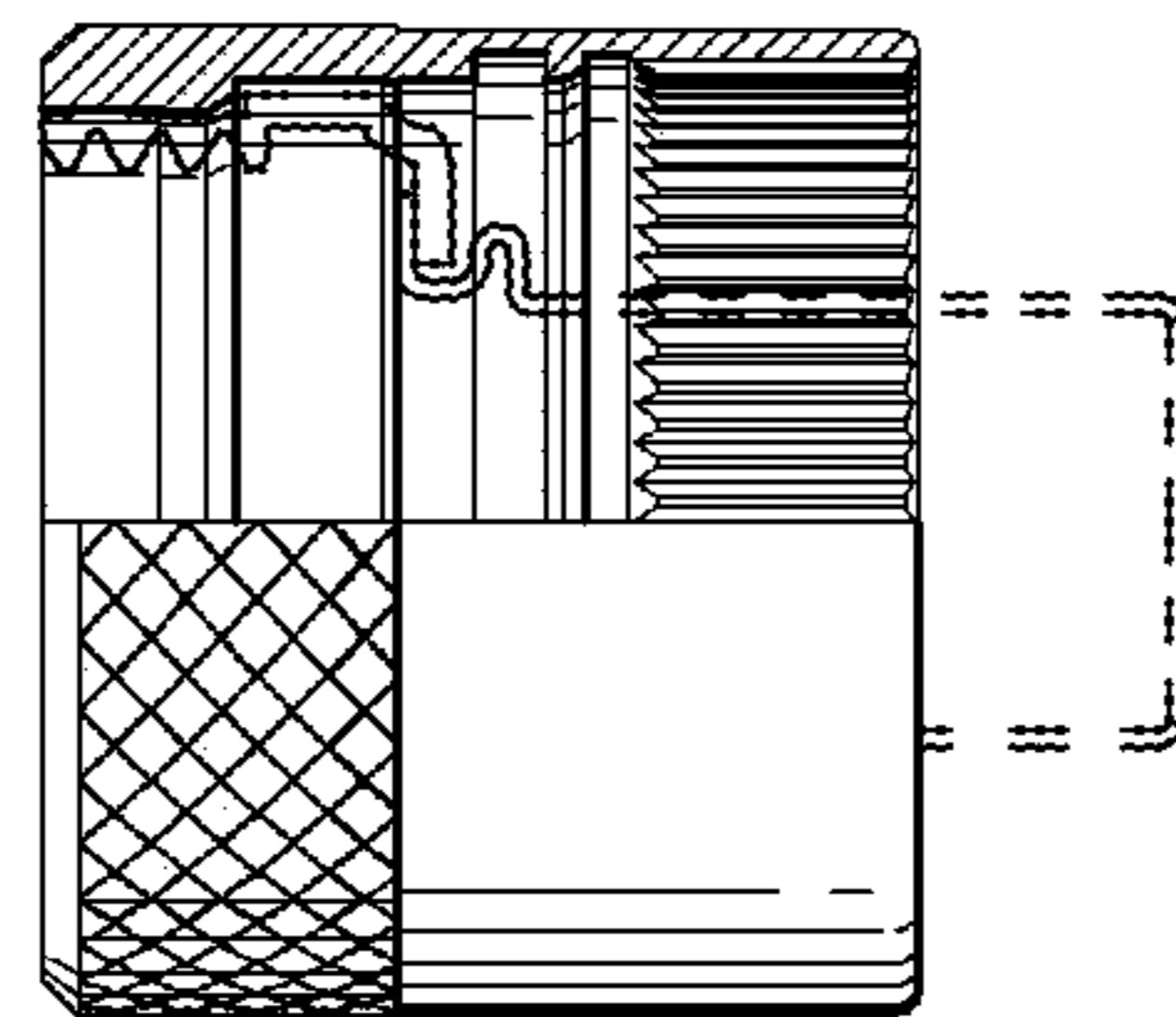


FIG. 6