



US00D921856S

(12) **United States Design Patent**  
**Vaz et al.**

(10) **Patent No.:** **US D921,856 S**  
(45) **Date of Patent:** **\*\* \*Jun. 8, 2021**

(54) **MALE HOSE COUPLING**

(71) Applicant: **TEKNOR APEX COMPANY,**  
Pawtucket, RI (US)

(72) Inventors: **David Vaz,** Riverside, RI (US); **Mark Buchan,** Norton, MA (US)

(73) Assignee: **TEKNOR APEX COMPANY,**  
Pawtucket, RI (US)

(\*) Notice: This patent is subject to a terminal disclaimer.

(\*\*) Term: **15 Years**

(21) Appl. No.: **29/754,313**

(22) Filed: **Oct. 9, 2020**

(51) **LOC (13) Cl.** ..... **23-01**

(52) **U.S. Cl.**  
USPC ..... **D23/262**

(58) **Field of Classification Search**  
USPC ..... D23/259, 262–266, 245, 213, 233, 235;  
285/197–200, 249, 389, 305; 137/315.23,  
137/798; 138/109–110, 155, 96 T;  
D13/133, 151; D8/382, 396–397;  
D24/112, 127, 129; D9/440  
CPC ..... F16L 37/252; F16L 43/00; F16L 19/02;  
F16L 57/005  
See application file for complete search history.

(56) **References Cited**

**U.S. PATENT DOCUMENTS**

D231,928 S \* 6/1974 Barton ..... D23/247  
D392,722 S \* 3/1998 Kurz ..... D23/262

D627,038 S \* 11/2010 Yu ..... D23/260  
D631,351 S \* 1/2011 Coon ..... D9/453  
D709,374 S \* 7/2014 Wilcox ..... D9/453  
D736,359 S \* 8/2015 Melo ..... D23/262  
D744,563 S \* 12/2015 Hassan ..... D15/144  
D757,233 S \* 5/2016 Vaz ..... D23/262  
D777,888 S \* 1/2017 Vaz ..... D23/262  
D784,497 S \* 4/2017 Vaz ..... D23/262  
9,810,357 B2 \* 11/2017 Blanchette ..... F16L 11/12  
D812,202 S \* 3/2018 Blanchette ..... D23/266  
D873,977 S 1/2020 Vaz et al.

\* cited by examiner

*Primary Examiner* — Amy C Wierenga

(74) *Attorney, Agent, or Firm* — Hudak, Shunk & Farine Co. LPA

(57) **CLAIM**

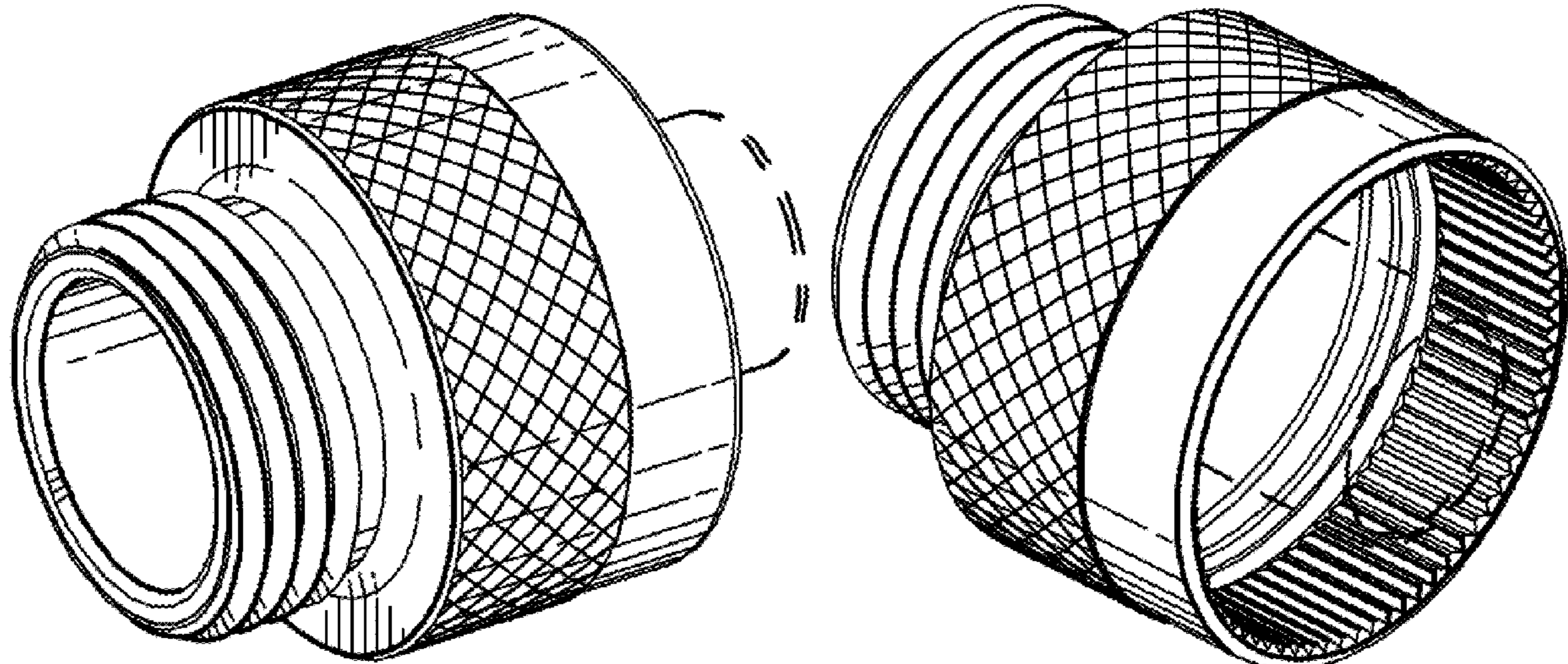
An ornamental design for a male hose coupling, as shown and described.

**DESCRIPTION**

FIG. 1 is a front perspective view of a male hose coupling; FIG. 2 is a side view of the male hose coupling; FIG. 3 is a front view of the male hose coupling; FIG. 4 is a rear view of the male hose coupling; and FIG. 5 is a rear perspective view of the male hose coupling; and, FIG. 6 is a partial cross-sectional view taken along line 6-6 of FIG. 2.

The broken lines in the drawings depict portions of the male hose coupling that form no part of the claimed design.

**1 Claim, 1 Drawing Sheet**



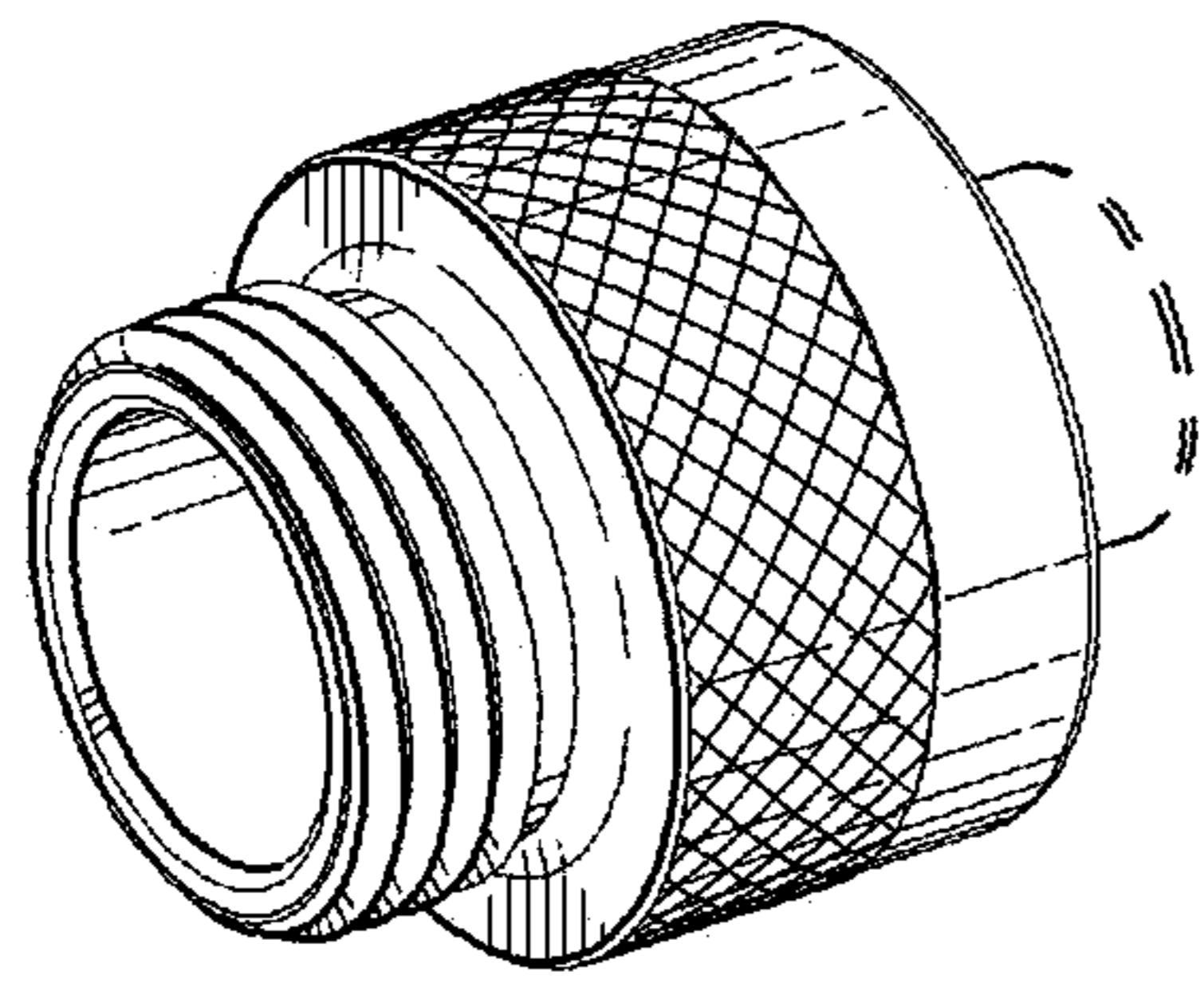


FIG. 1

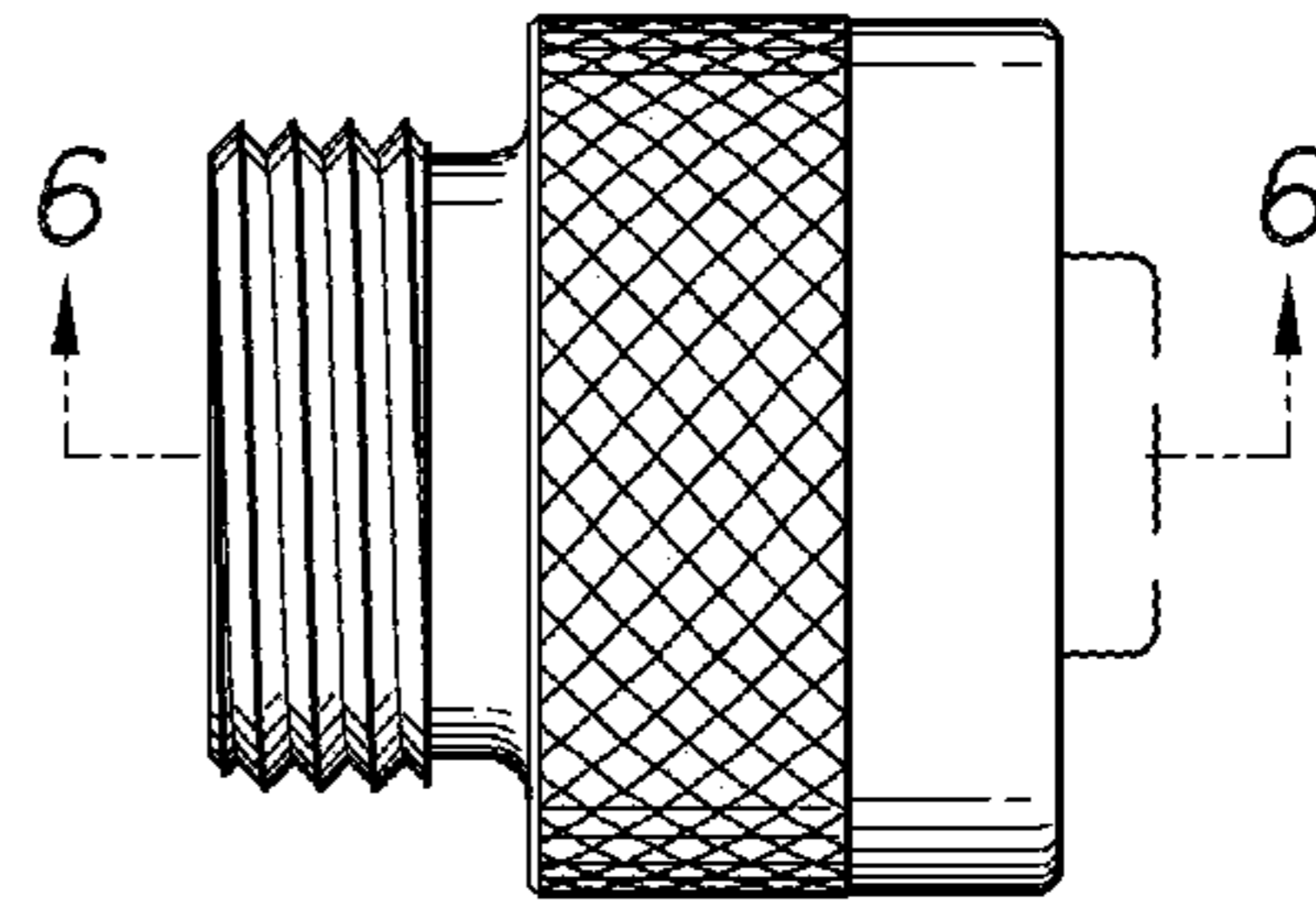


FIG. 2

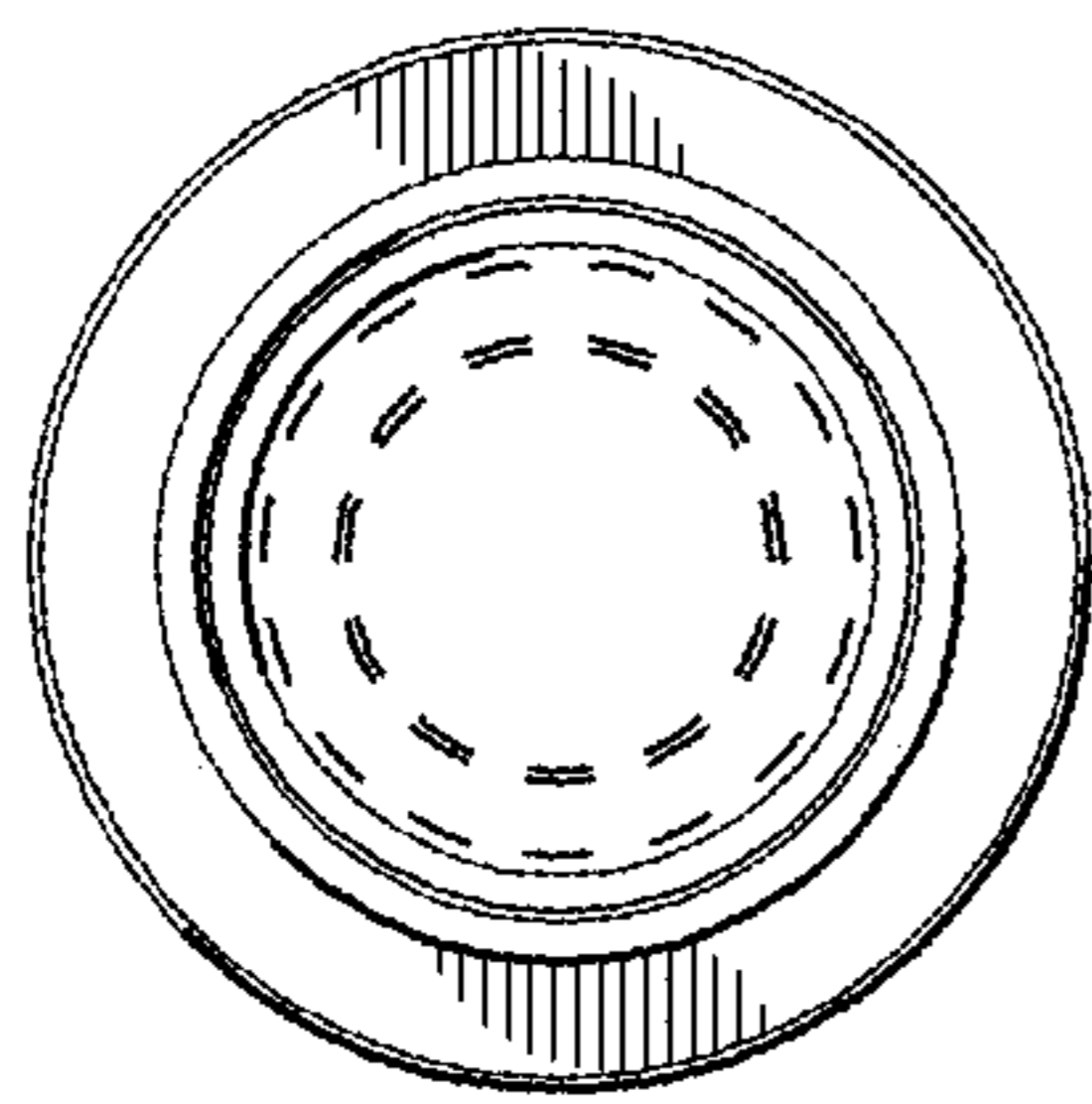


FIG. 3

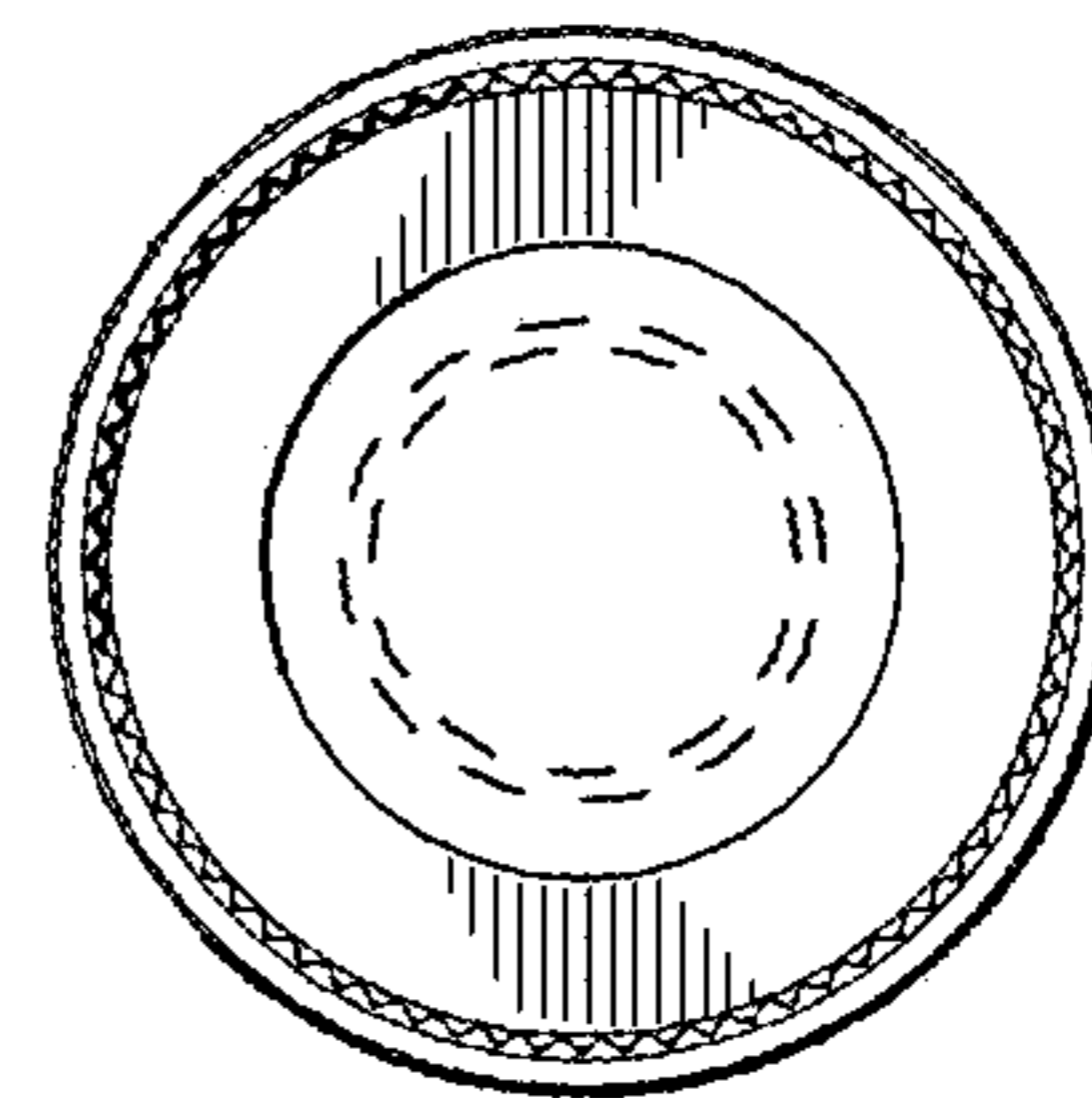


FIG. 4

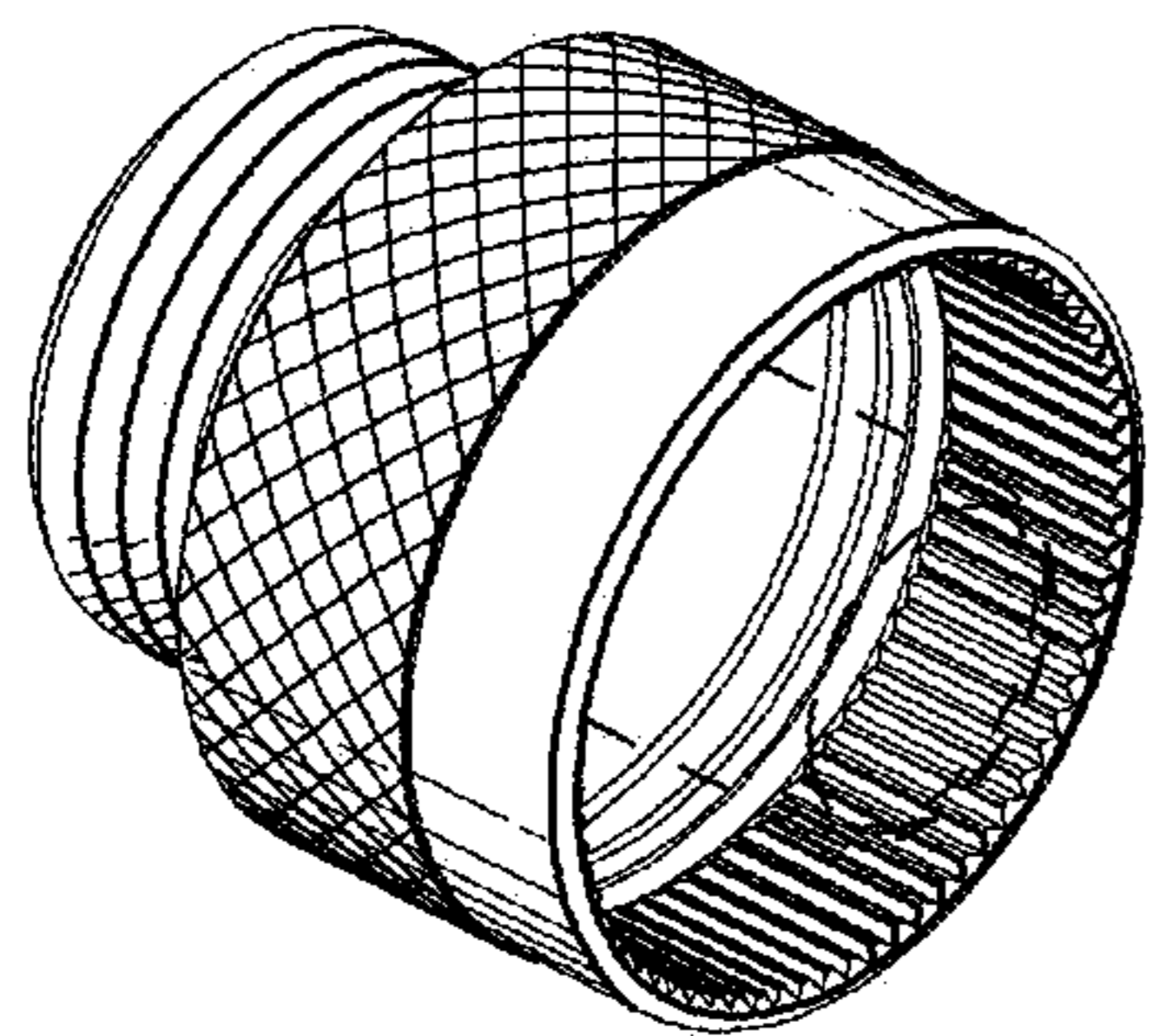


FIG. 5

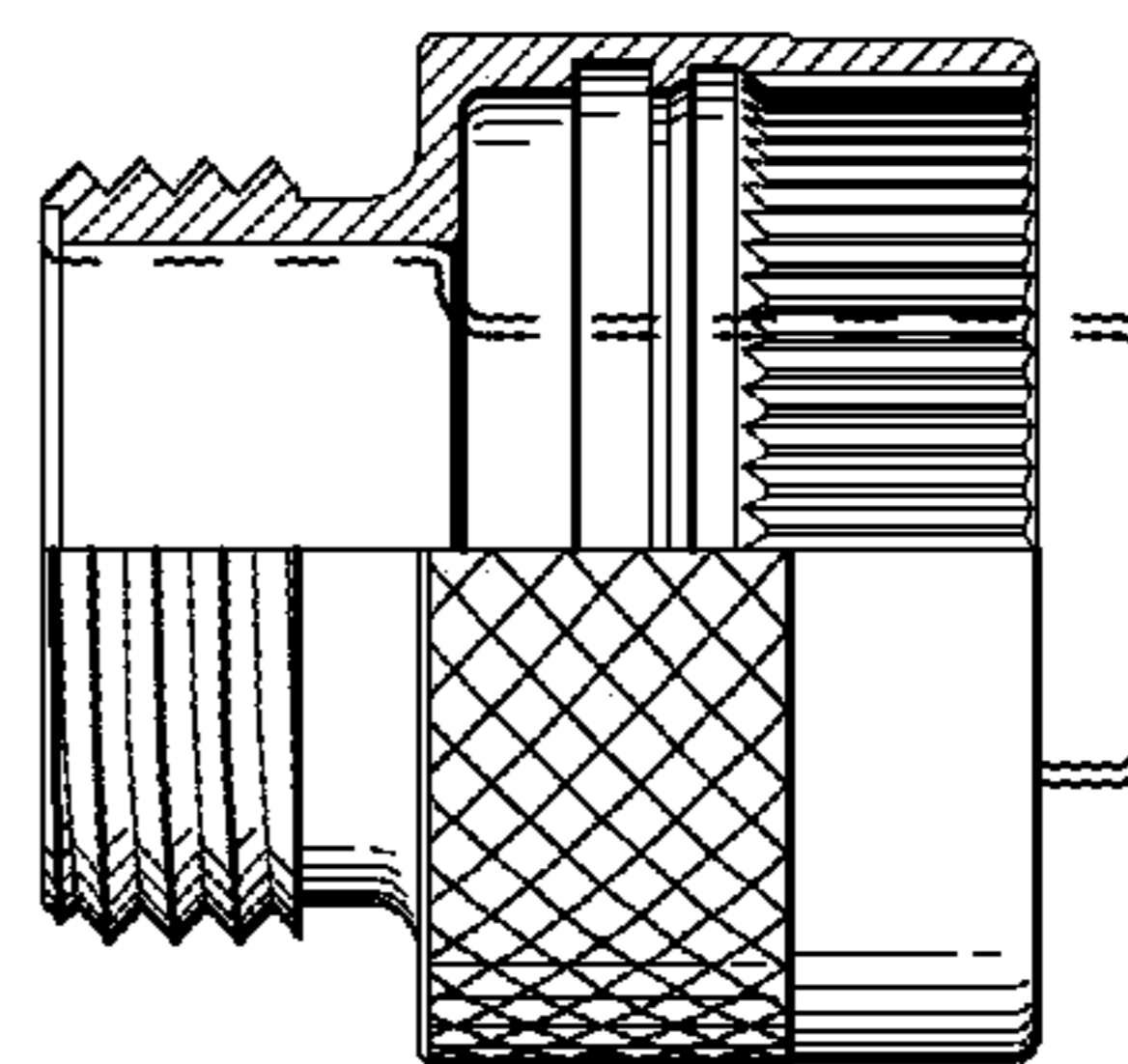


FIG. 6