



US00D921854S

(12) **United States Design Patent**  
**Vaz et al.**

(10) **Patent No.:** **US D921,854 S**  
(45) **Date of Patent:** **\*\* \*Jun. 8, 2021**

- (54) **FEMALE HOSE FITTING**
- (71) Applicant: **TEKNOR APEX COMPANY,**  
Pawtucket, RI (US)
- (72) Inventors: **David Vaz,** Riverside, RI (US); **Mark Buchan,** Norton, MA (US)
- (73) Assignee: **TEKNOR APEX COMPANY,**  
Pawtucket, RI (US)
- (\*) Notice: This patent is subject to a terminal disclaimer.
- (\*\*) Term: **15 Years**
- (21) Appl. No.: **29/710,305**
- (22) Filed: **Oct. 22, 2019**
- (51) **LOC (13) Cl.** ..... **23-01**
- (52) **U.S. Cl.**  
USPC ..... **D23/262**
- (58) **Field of Classification Search**  
USPC ..... D23/259, 262–266, 245, 213, 233, 235;  
285/197–200, 249, 389, 305; 137/315.23,  
137/798; 138/109–110, 155, 96 T;  
D13/133, 151; D8/382, 396–397;  
D24/112, 127, 129; D9/440  
CPC ..... F16L 37/252; F16L 43/00; F16L 19/02;  
F16L 57/005  
See application file for complete search history.

(56) **References Cited**

**U.S. PATENT DOCUMENTS**

- 2,565,572 A \* 8/1951 Pangborn ..... F16L 37/23  
285/277
- 2,568,515 A \* 9/1951 Scheiwer ..... B05B 1/14  
239/289
- 2,813,730 A \* 11/1957 Courtot ..... F16L 33/22  
285/242

- 4,467,837 A \* 8/1984 Baker ..... B29C 63/34  
138/119
- D392,722 S \* 3/1998 Kurz ..... D23/262
- 5,882,042 A \* 3/1999 Lacoste ..... F16L 19/02  
285/18
- D631,351 S \* 1/2011 Coon ..... D9/453
- D736,357 S 8/2015 Melo et al.
- D736,358 S 8/2015 Melo et al.
- D736,359 S 8/2015 Melo et al.
- D738,471 S 9/2015 Melo et al.
- D744,564 S \* 12/2015 Hassan ..... D15/144
- D757,233 S 5/2016 Vaz et al.
- D763,816 S \* 8/2016 Hassan ..... D15/144
- D777,888 S 1/2017 Vaz et al.
- D779,640 S 2/2017 Vaz et al.
- D782,623 S 3/2017 Vaz et al.
- D784,497 S 4/2017 Vaz et al.
- D785,141 S 4/2017 Vaz et al.
- 9,810,357 B2 \* 11/2017 Blanchette ..... F16L 11/12
- D812,202 S \* 3/2018 Blanchette ..... D23/266

(Continued)

*Primary Examiner* — Amy C Wierenga

(74) *Attorney, Agent, or Firm* — Hudak, Shunk & Farine Co. LPA

(57) **CLAIM**

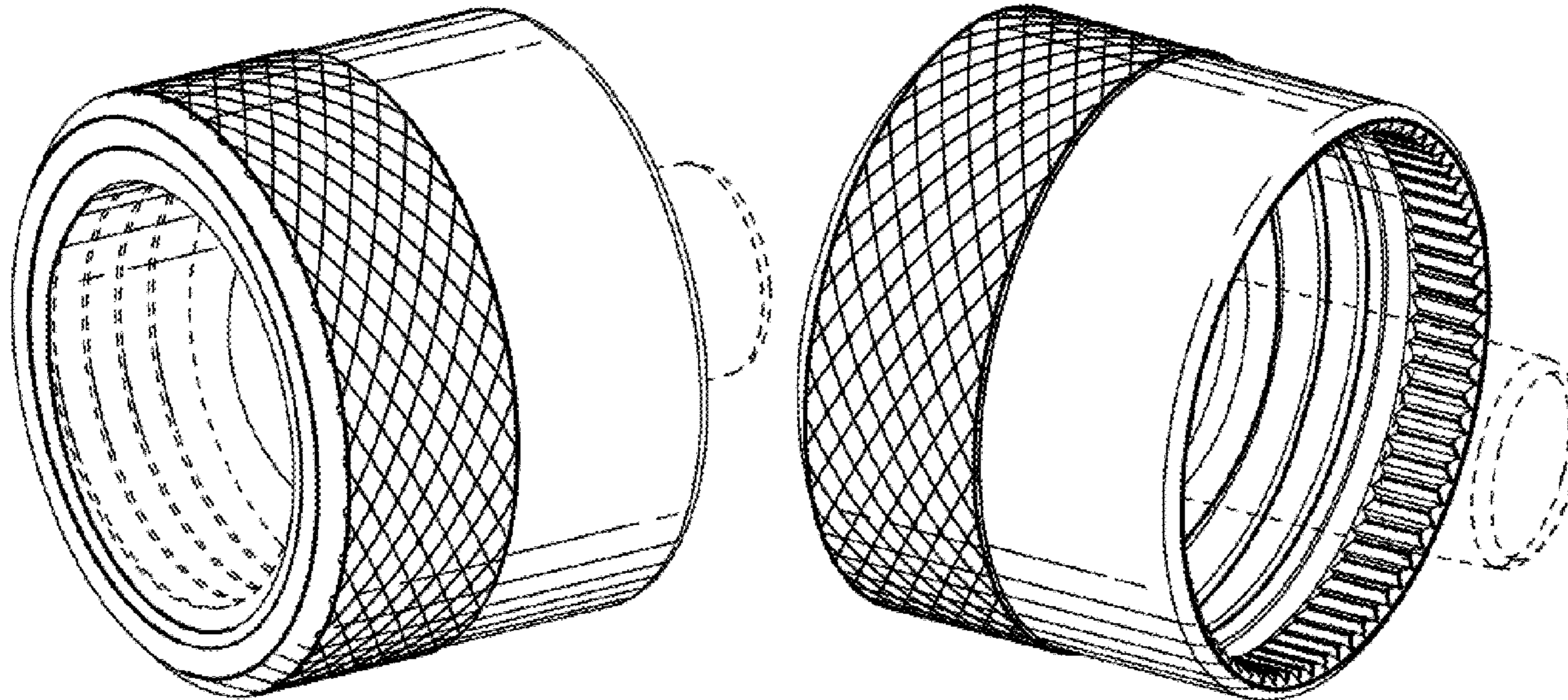
An ornamental design for a female hose fitting, as shown and described.

**DESCRIPTION**

FIG. 1 is a front perspective view of a female hose fitting; FIG. 2 is a side view of the female hose fitting; FIG. 3 is a front view of the female hose fitting; FIG. 4 is a rear view of the female hose fitting; and FIG. 5 is a rear perspective view of the female hose fitting; and, FIG. 6 is a partial cross-sectional view taken along line 6-6 of FIG. 2.

The broken lines in the drawings depict portions of the female hose fitting that form no part of the claimed design.

**1 Claim, 1 Drawing Sheet**



(56)

**References Cited**

U.S. PATENT DOCUMENTS

D833,586 S \* 11/2018 Khubani ..... D23/262  
2012/0061953 A1\* 3/2012 Liu ..... F16L 37/23  
285/305

\* cited by examiner

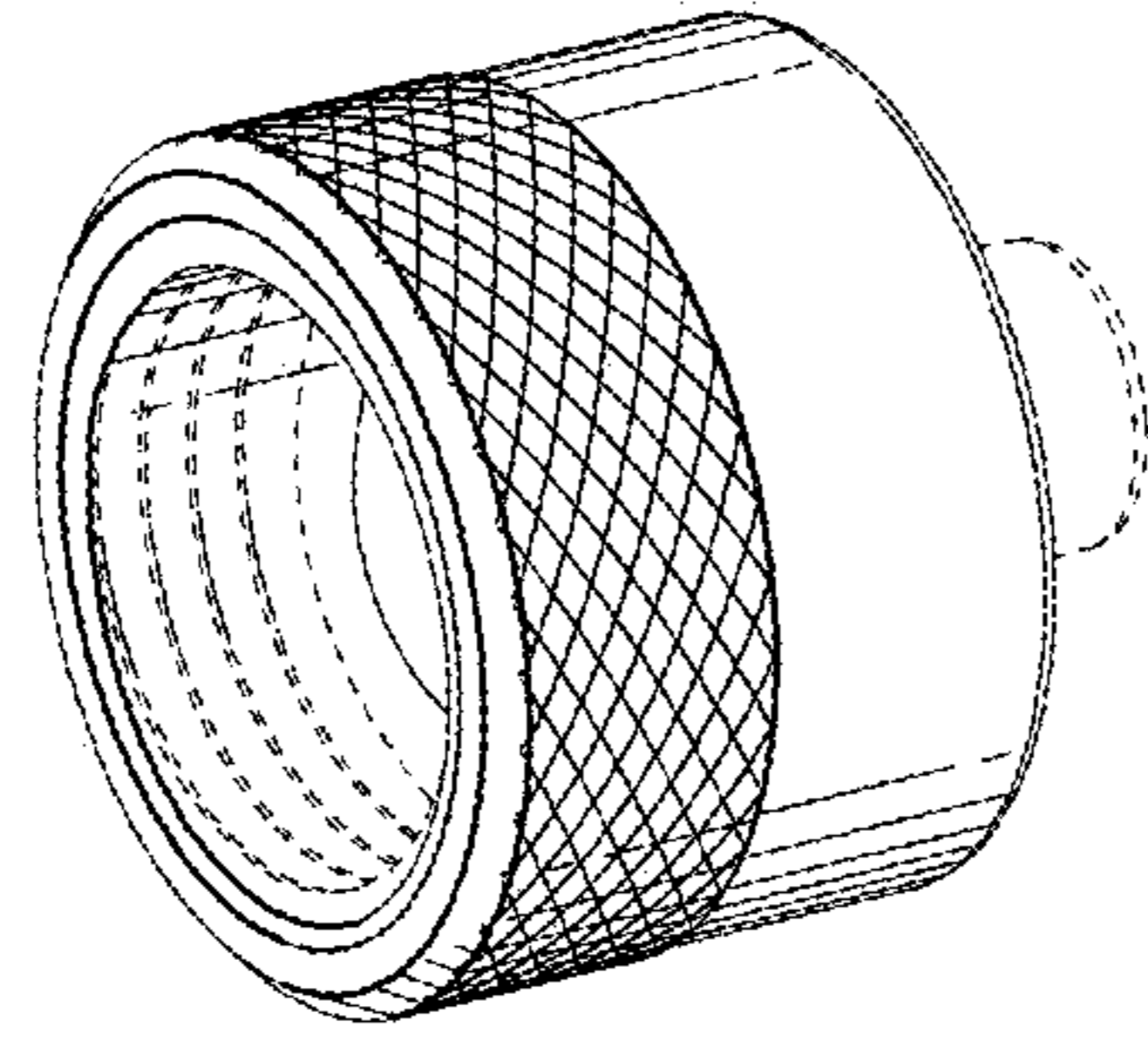


FIG. 1

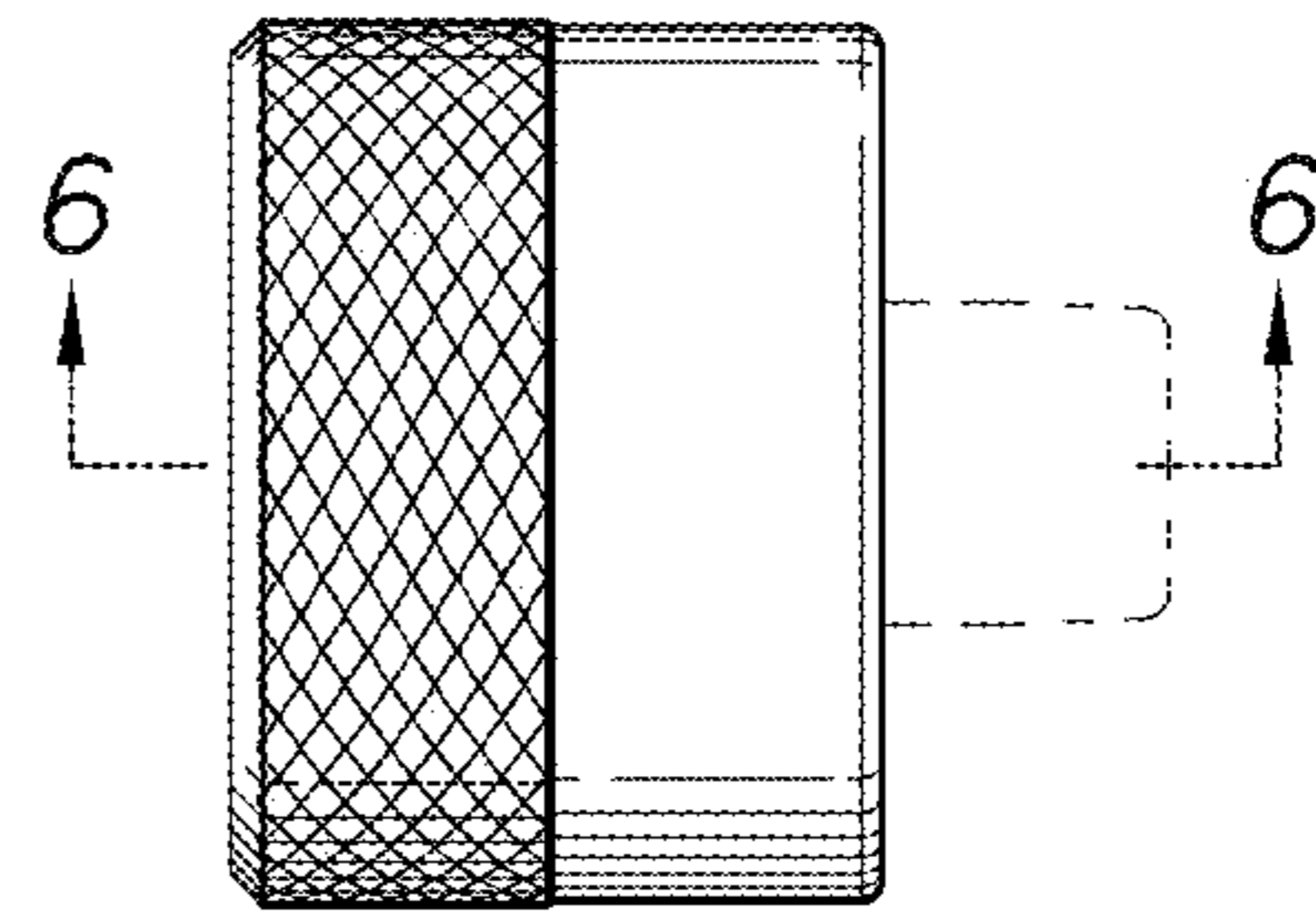


FIG. 2

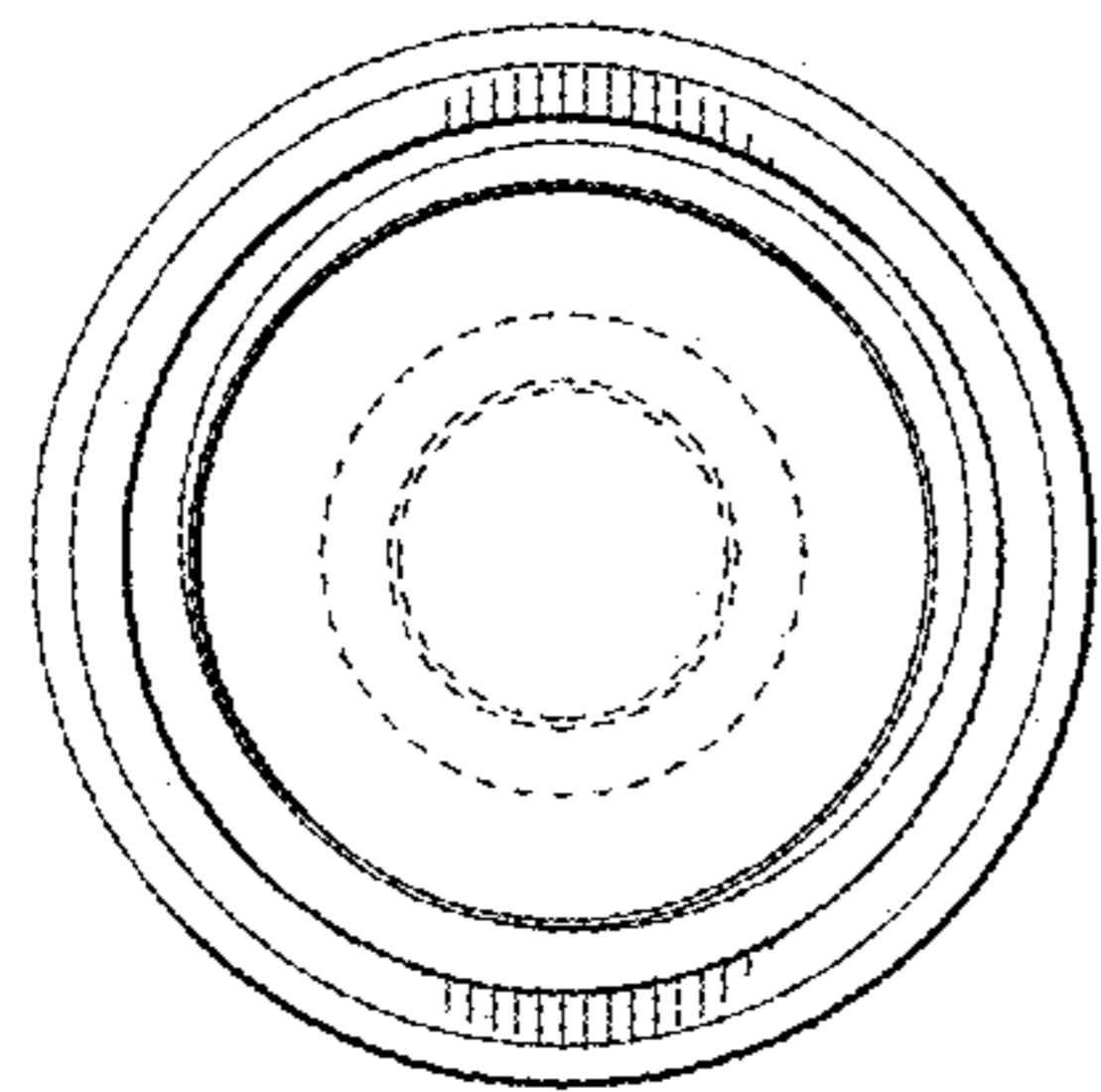


FIG. 3

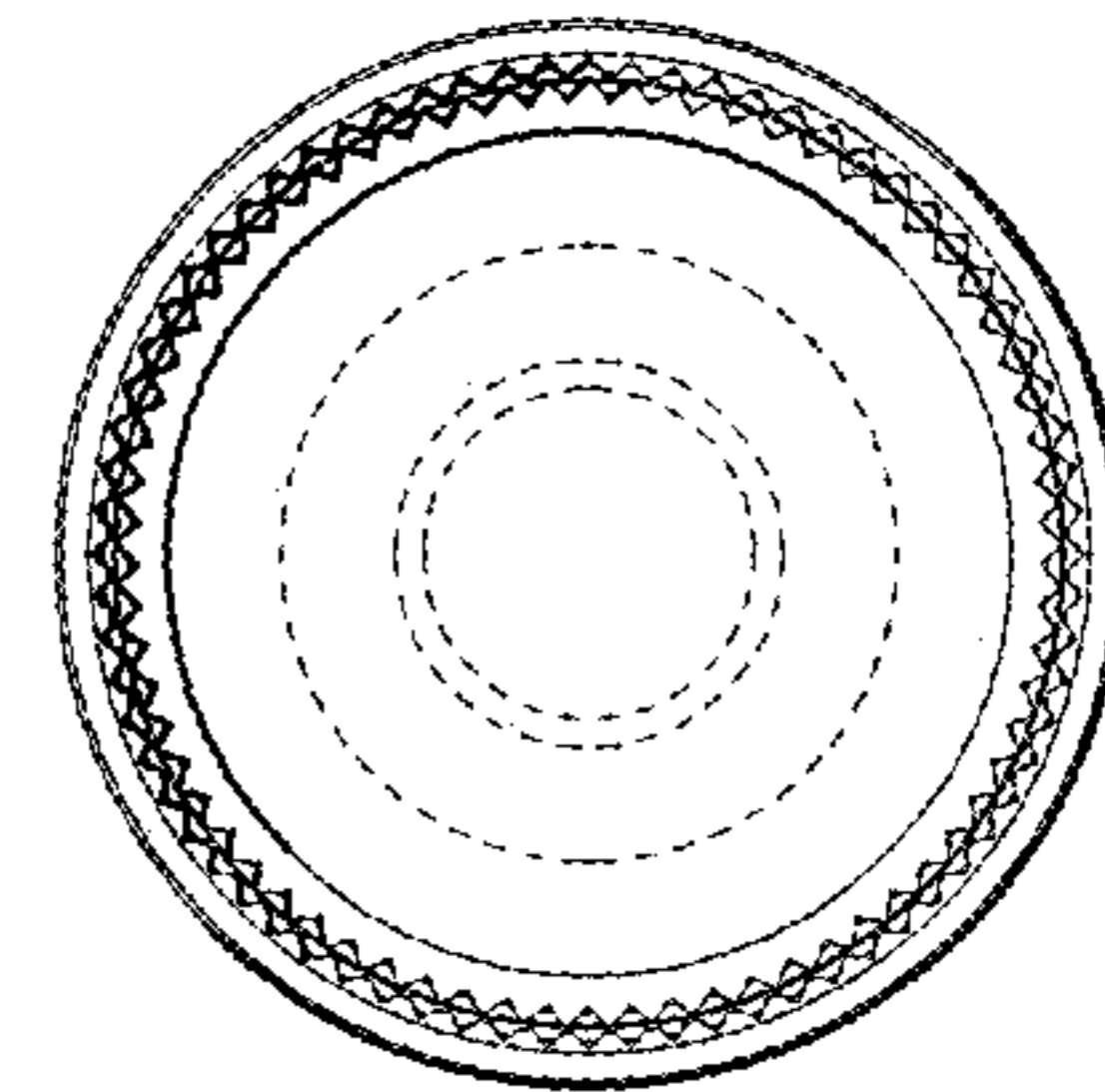


FIG. 4

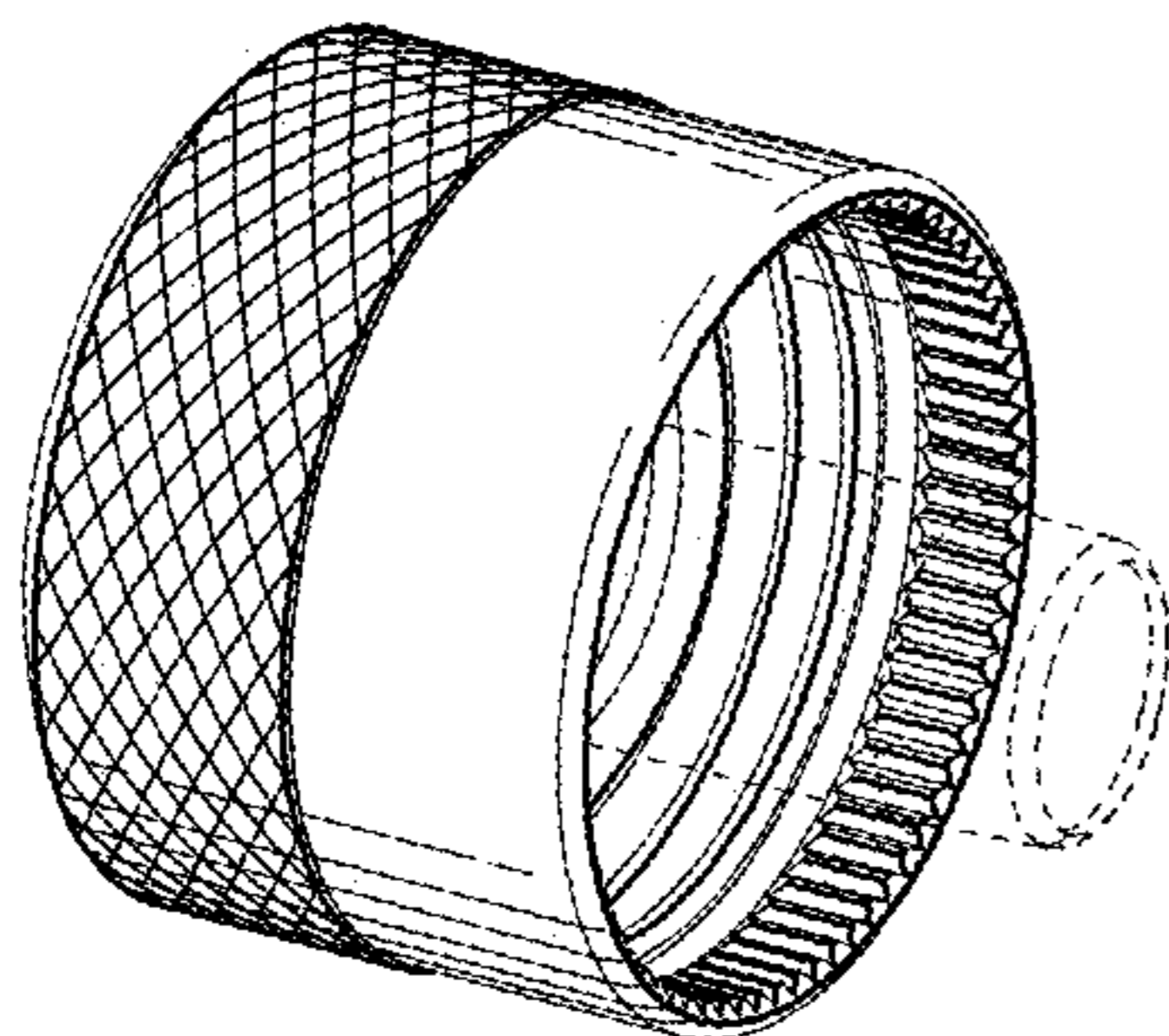


FIG. 5

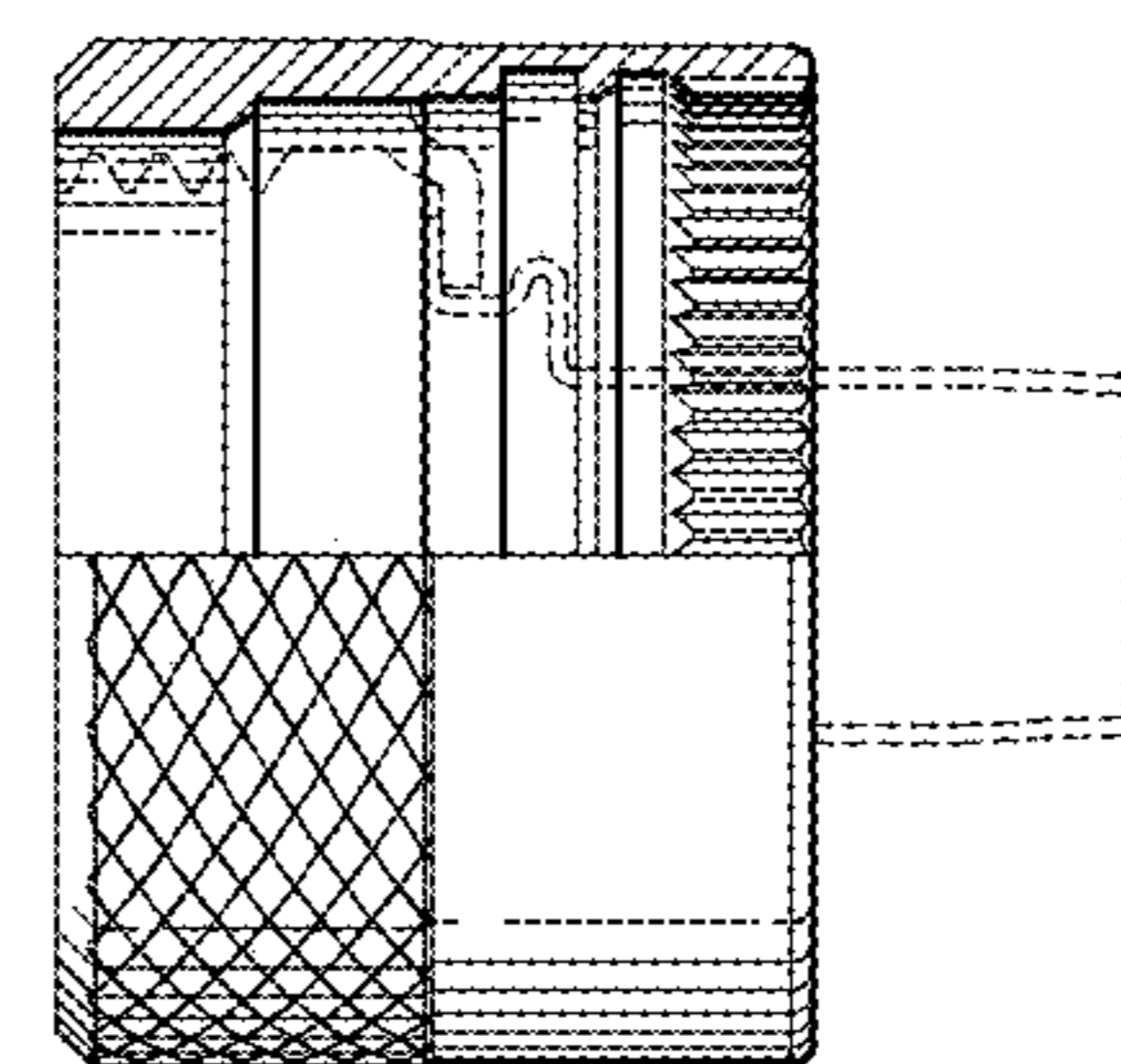


FIG. 6