



US00D921853S

(12) **United States Design Patent**
Vaz et al.

(10) **Patent No.:** **US D921,853 S**
(45) **Date of Patent:** **** *Jun. 8, 2021**

- (54) **MALE HOSE FITTING**
- (71) Applicant: **TEKNOR APEX COMPANY**,
Pawtucket, RI (US)
- (72) Inventors: **David Vaz**, Riverside, RI (US); **Mark Buchan**, Norton, MA (US)
- (73) Assignee: **TEKNOR APEX COMPANY**,
Pawtucket, RI (US)
- (*) Notice: This patent is subject to a terminal disclaimer.
- (**) Term: **15 Years**
- (21) Appl. No.: **29/710,294**
- (22) Filed: **Oct. 22, 2019**
- (51) **LOC (13) Cl.** **23-01**
- (52) **U.S. Cl.**
USPC **D23/262**
- (58) **Field of Classification Search**
USPC D23/259, 262–266, 245, 213, 233, 235;
285/197–200, 249, 389, 305; 137/315.23,
137/798; 138/109–110, 155, 96 T;
D13/133, 151; D8/382, 396–397;
D24/112, 127, 129; D9/440
CPC F16L 37/252; F16L 43/00; F16L 19/02;
F16L 57/005
See application file for complete search history.

(56) **References Cited**

U.S. PATENT DOCUMENTS

- 1,104,508 A 7/1914 Huthsing
- 2,565,572 A * 8/1951 Pangborn F16L 37/23
285/277
- 2,568,515 A * 9/1951 Scheiwer B05B 1/14
239/289
- D231,928 S * 6/1974 Nelson D23/247
- D254,505 S 3/1980 Parsons

- 4,477,109 A 10/1984 Kleuver
 - 4,541,657 A 9/1985 Smyth
 - D283,342 S 4/1986 Tisserat
 - 5,285,561 A 2/1994 Manning
 - D383,378 S 9/1997 Schrader
 - D392,722 S 3/1998 Kurz
 - 6,113,153 A 9/2000 Yang
 - 6,416,085 B1 * 7/2002 Markovic F16L 33/225
285/102
 - 6,948,527 B2 9/2005 Ragner et al.
 - 7,168,451 B1 1/2007 Dundas
 - 7,549,448 B2 6/2009 Ragner et al.
 - D613,780 S 4/2010 Henry et al.
 - D627,038 S * 11/2010 Yu D23/260
 - D631,351 S 1/2011 Coon
- (Continued)

FOREIGN PATENT DOCUMENTS

- GB 904638 8/1962
 - GB 1017331 1/1966
- (Continued)

Primary Examiner — Amy C Wierenga

(74) *Attorney, Agent, or Firm* — Hudak, Shunk & Farine Co. LPA

(57) **CLAIM**

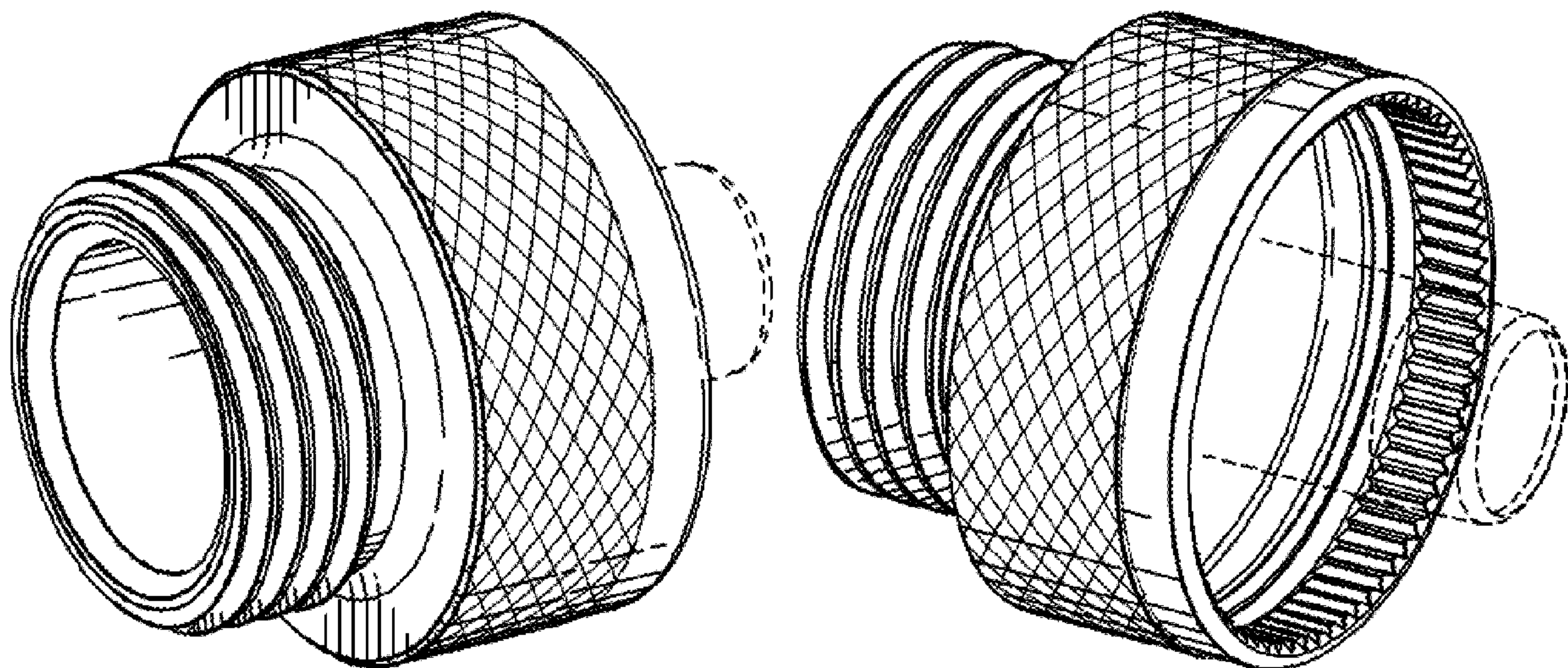
An ornamental design for a male hose fitting, as shown and described.

DESCRIPTION

FIG. 1 is a front perspective view of a male hose fitting; FIG. 2 is a side view of the male hose fitting; FIG. 3 is a front view of the male hose fitting; FIG. 4 is a rear view of the male hose fitting; and FIG. 5 is a rear perspective view of the male hose fitting; and, FIG. 6 is a partial cross-sectional view taken along line 6-6 of FIG. 2.

The broken lines in the drawings depict portions of the male hose fitting that form no part of the claimed design.

1 Claim, 1 Drawing Sheet



(56)

References Cited

U.S. PATENT DOCUMENTS

7,971,617 B2 7/2011 Henry et al.
 7,975,633 B2 7/2011 Henry et al.
 D645,632 S 9/2011 Henry et al.
 D648,502 S 11/2011 Henry et al.
 D648,503 S 11/2011 Henry et al.
 D650,052 S 12/2011 Drenth
 8,141,609 B2 3/2012 Henry et al.
 8,211,262 B2 7/2012 Henry et al.
 D666,644 S 9/2012 Henry
 8,272,420 B2 9/2012 Henry
 8,291,941 B1 10/2012 Berardi
 8,291,942 B2 10/2012 Berardi
 8,359,991 B2 1/2013 Henry et al.
 8,371,143 B2 2/2013 Ragner
 D679,784 S 4/2013 Meyer
 8,453,701 B2 6/2013 Henry
 8,479,776 B2 7/2013 Berardi
 D687,528 S 8/2013 Meyer
 D691,261 S 10/2013 Kawamura
 D693,393 S 11/2013 Henry
 D705,284 S 5/2014 Nussbaum
 D705,285 S 5/2014 Nussbaum
 D706,904 S 6/2014 Faraon Chaul Huerta
 8,757,213 B2 6/2014 Berardi
 D709,374 S * 7/2014 Wilcox D9/453
 8,776,836 B2 7/2014 Ragner et al.
 8,826,838 B2 9/2014 Henry et al.
 D714,935 S 10/2014 Nishioka
 D717,406 S 11/2014 Stanley
 D717,848 S 11/2014 Henry et al.
 D719,244 S * 12/2014 Yang D23/262
 8,936,046 B2 1/2015 Ragner
 D722,681 S 2/2015 Berardi
 8,951,380 B2 2/2015 Henry
 D723,669 S 3/2015 Berardi
 D724,186 S 3/2015 Berardi
 9,022,076 B2 5/2015 Ragner et al.
 D731,032 S * 6/2015 Yang D23/266
 D736,357 S 8/2015 Melo et al.
 D736,358 S 8/2015 Melo et al.

D736,359 S 8/2015 Melo et al.
 D736,914 S 8/2015 Schultz
 D738,471 S 9/2015 Melo et al.
 D744,563 S 12/2015 Hassan
 D757,233 S 5/2016 Vaz et al.
 D760,363 S * 6/2016 Yang D23/262
 D777,888 S 1/2017 Vaz et al.
 D779,640 S 2/2017 Vaz et al.
 D782,623 S 3/2017 Vaz et al.
 D784,497 S 4/2017 Vaz et al.
 D785,141 S 4/2017 Vaz et al.
 D833,586 S * 11/2018 Khubani D23/262
 D834,687 S * 11/2018 Khubani D23/262
 D834,688 S * 11/2018 Khubani D23/262
 2010/0012660 A1 * 1/2010 Morini B65D 51/2864
 220/502
 2011/0083787 A1 4/2011 Henry
 2012/0227363 A1 9/2012 Nussbaum
 2013/0098887 A1 4/2013 Henry
 2013/0113205 A1 5/2013 Berardi
 2014/0124125 A1 5/2014 Nussbaum et al.
 2014/0124127 A1 5/2014 Henry
 2014/0124136 A1 5/2014 Nussbaum
 2014/0130930 A1 5/2014 Ragner
 2014/0150889 A1 6/2014 Ragner
 2014/0305586 A1 10/2014 Hupp, Sr.
 2014/0305587 A1 10/2014 Henry
 2014/0307987 A1 10/2014 Henry
 2014/0345734 A1 11/2014 Berardi
 2014/0374020 A1 12/2014 Warnock, II
 2015/0007902 A1 1/2015 Ragner
 2015/0041016 A1 2/2015 Ragner
 2015/0129042 A1 5/2015 Ragner
 2015/0219259 A1 8/2015 Weems
 2015/0219260 A1 8/2015 Kury
 2018/0231159 A1 * 8/2018 Lin F16L 19/06

FOREIGN PATENT DOCUMENTS

WO 2014169057 A1 10/2014
 WO 2015023592 A1 2/2015

* cited by examiner

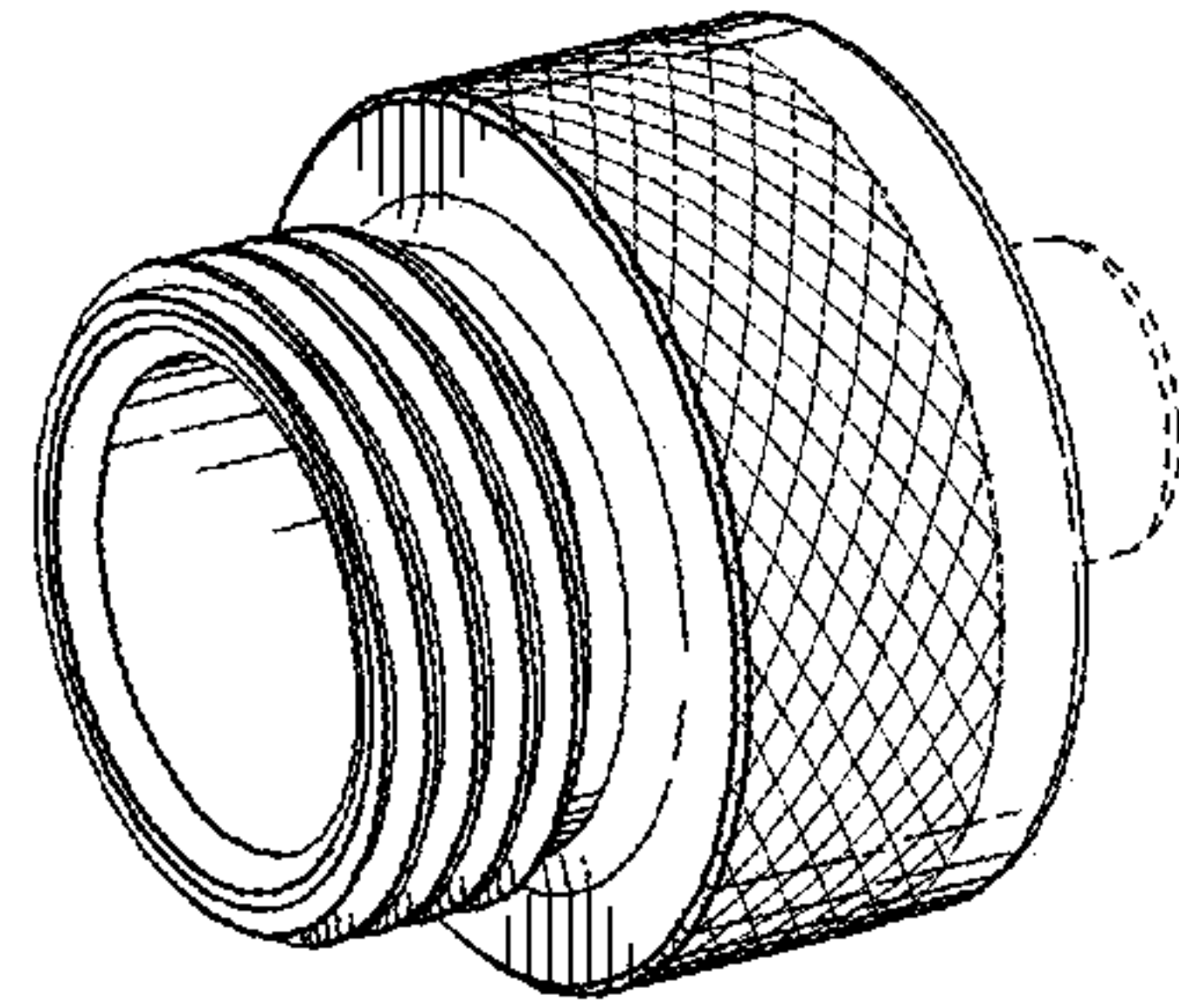


FIG. 1

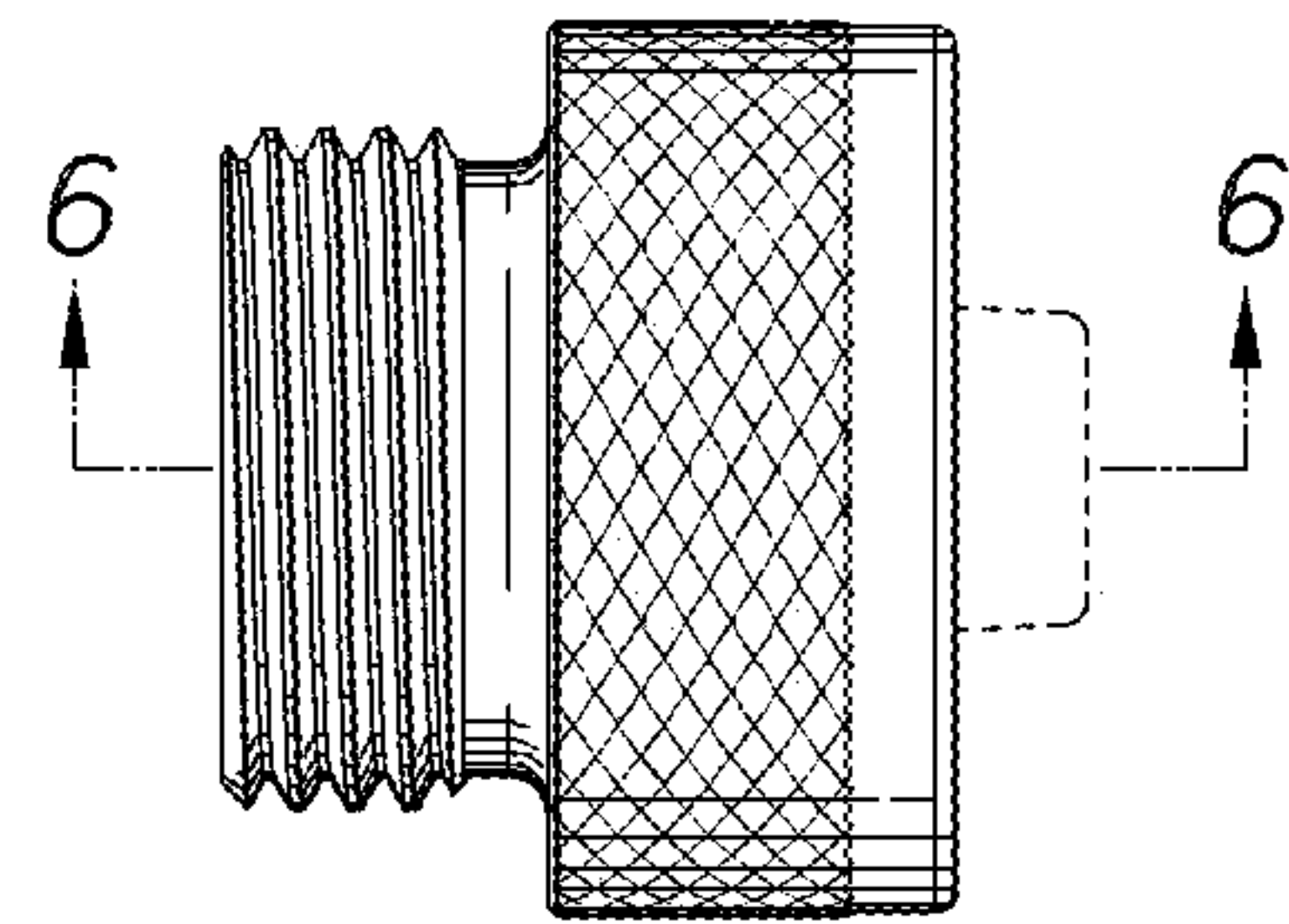


FIG. 2

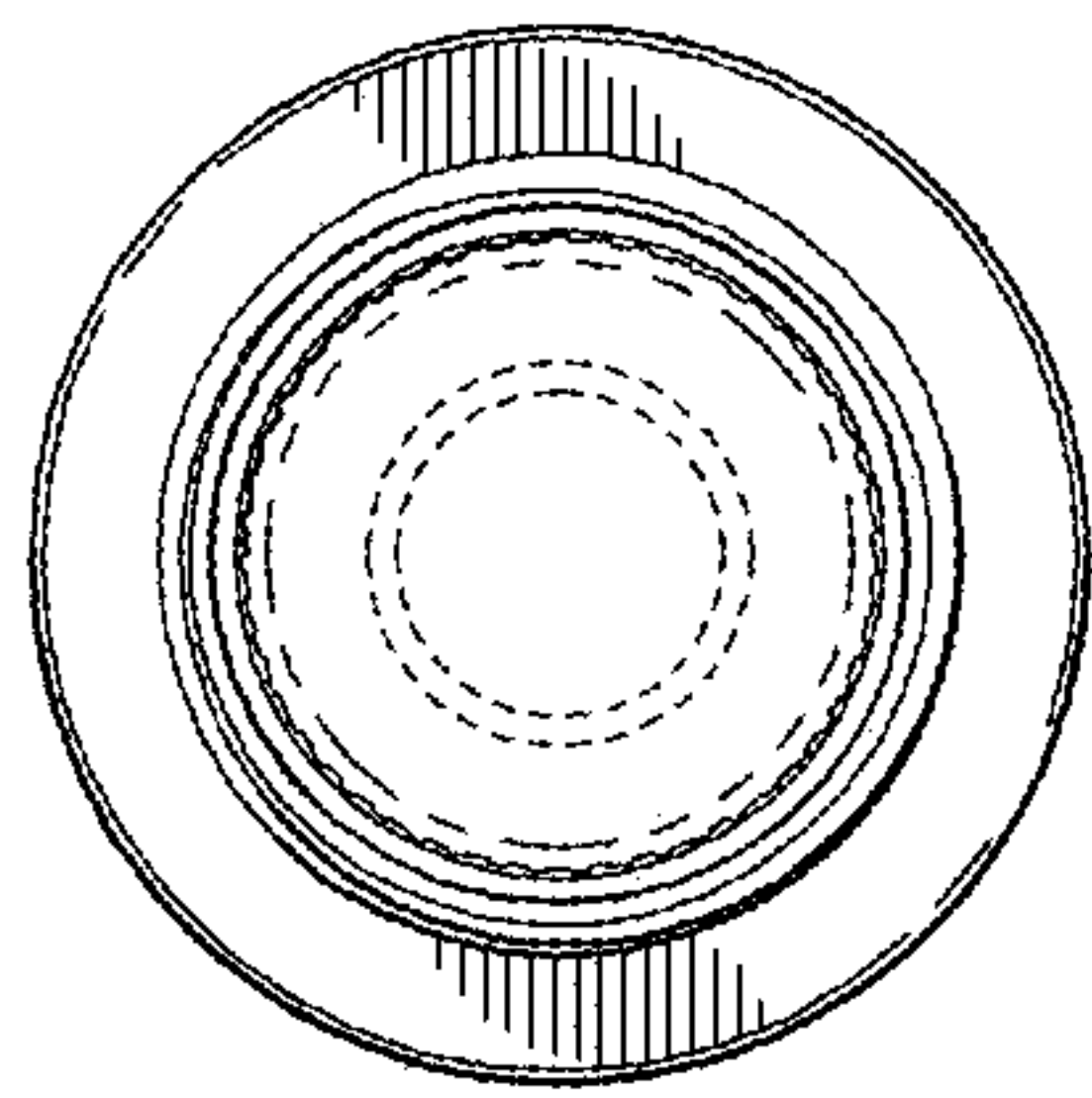


FIG. 3

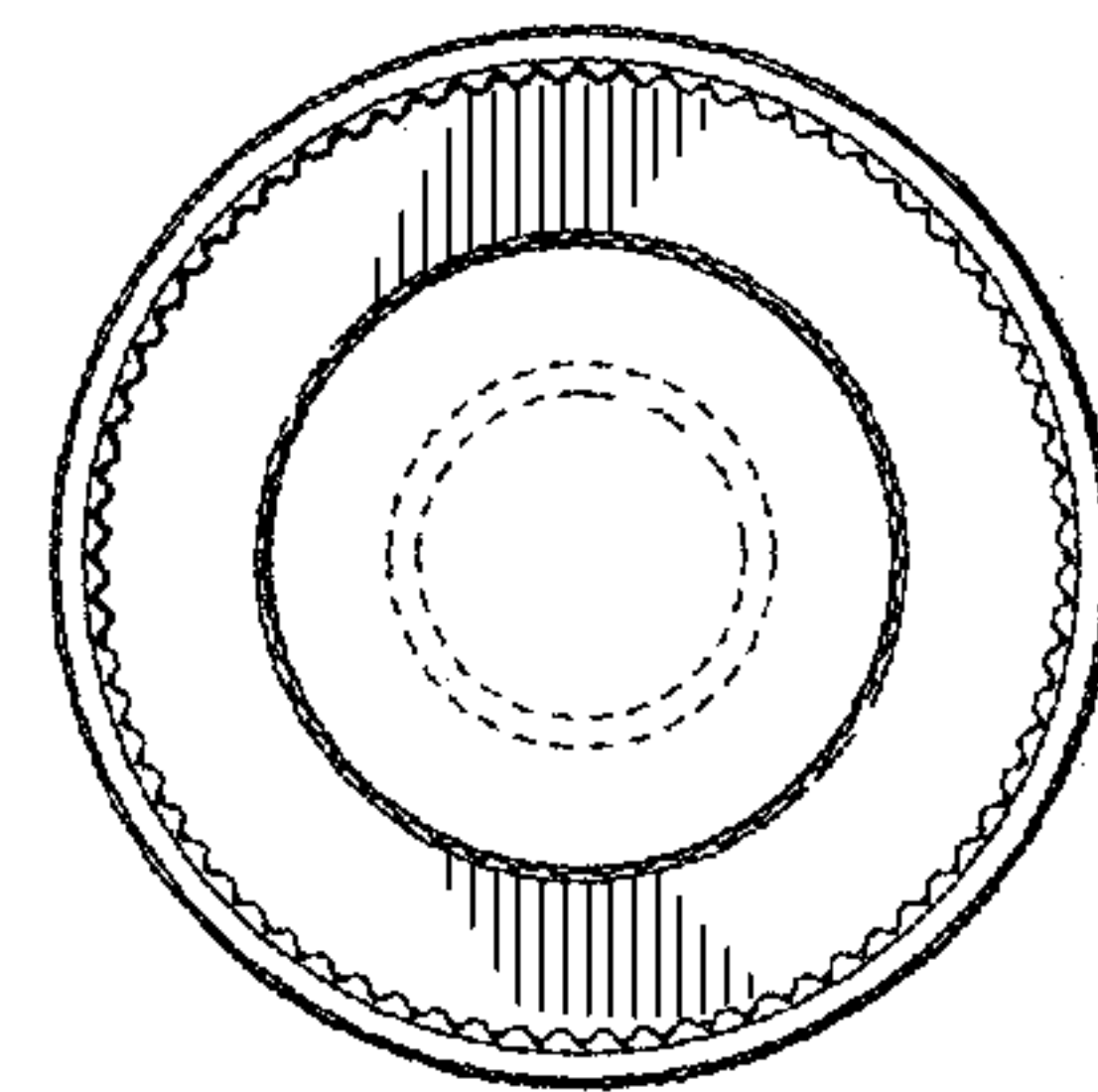


FIG. 4

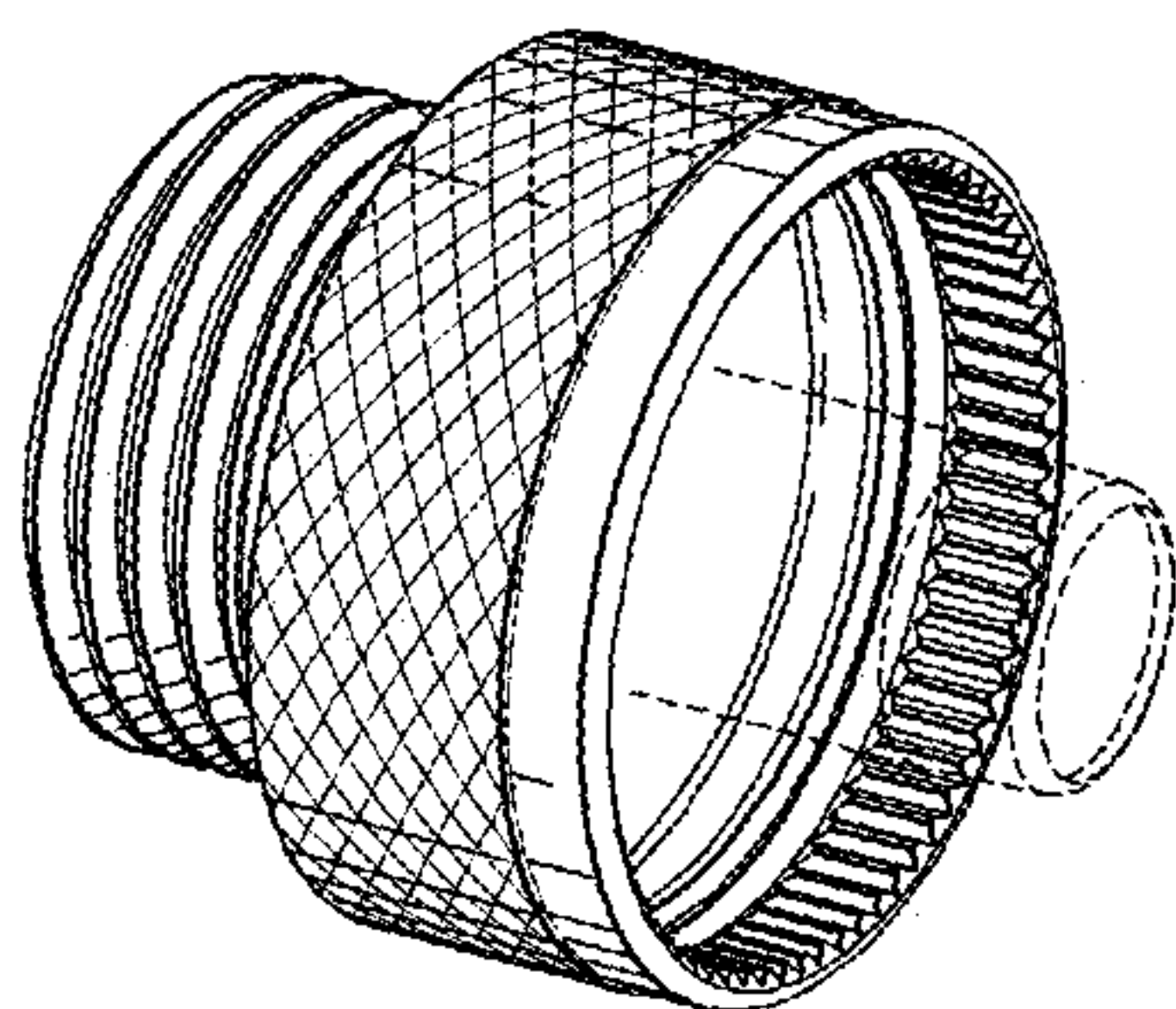


FIG. 5

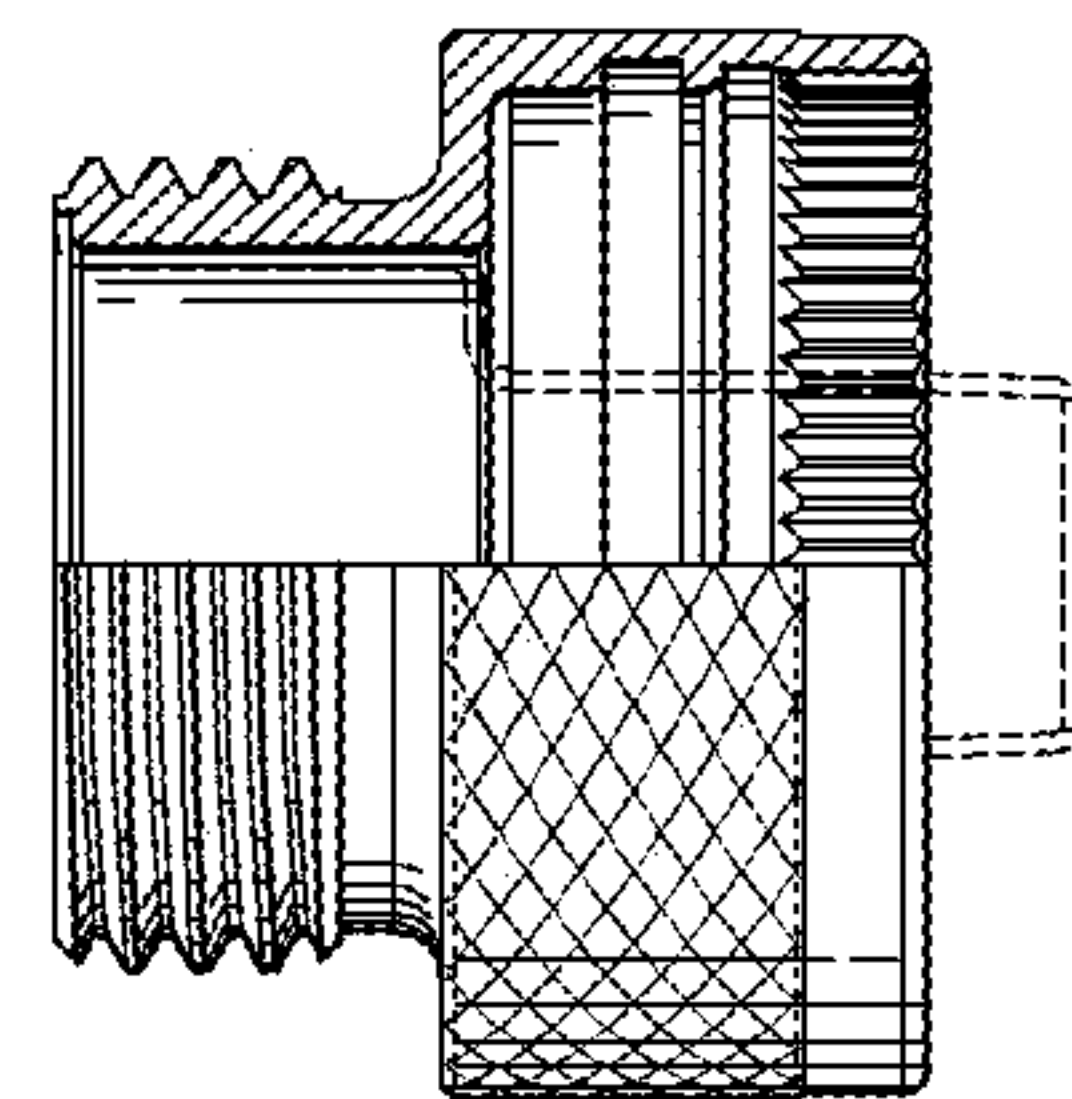


FIG. 6