



US00D921850S

(12) **United States Design Patent**
Zhang

(10) **Patent No.:** **US D921,850 S**

(45) **Date of Patent:** **** Jun. 8, 2021**

(54) **FAUCET SPOUT**

(71) Applicant: **Xinrui Zhang**, Kaiping (CN)

(72) Inventor: **Xinrui Zhang**, Kaiping (CN)

(**) Term: **15 Years**

(21) Appl. No.: **29/763,803**

(22) Filed: **Dec. 24, 2020**

(51) **LOC (13) Cl.** **23-01**

(52) **U.S. Cl.**
USPC **D23/257**

(58) **Field of Classification Search**
USPC D23/255, 257, 238-243; D7/398
CPC E03C 1/042
See application file for complete search history.

(56) **References Cited**

U.S. PATENT DOCUMENTS

D512,133 S *	11/2005	Kosasih	D23/255
D573,230 S	7/2008	Sieger		
D673,651 S	1/2013	Uhl		
D676,112 S	2/2013	Wu		
8,566,975 B1 *	10/2013	Lin	E03C 1/0404 4/678
D754,301 S	4/2016	Bahler		
D802,091 S	11/2017	Bahler		
D803,989 S	11/2017	Flowers et al.		
9,896,825 B2 *	2/2018	DiDea	E03C 1/0404
D915,563 S *	4/2021	Seum	D23/257

OTHER PUBLICATIONS

Jewel Shower Series Cast Brass Designer Tub Spout with Diverter Finish: <https://www.amazon.com/Jewel-Shower-Designer-Diverter-Finish/dp/B009B39SO6> (Year: 2012).*

* cited by examiner

Primary Examiner — Robert A Delehanty

(74) *Attorney, Agent, or Firm* — Rumit Ranjit Kanakia

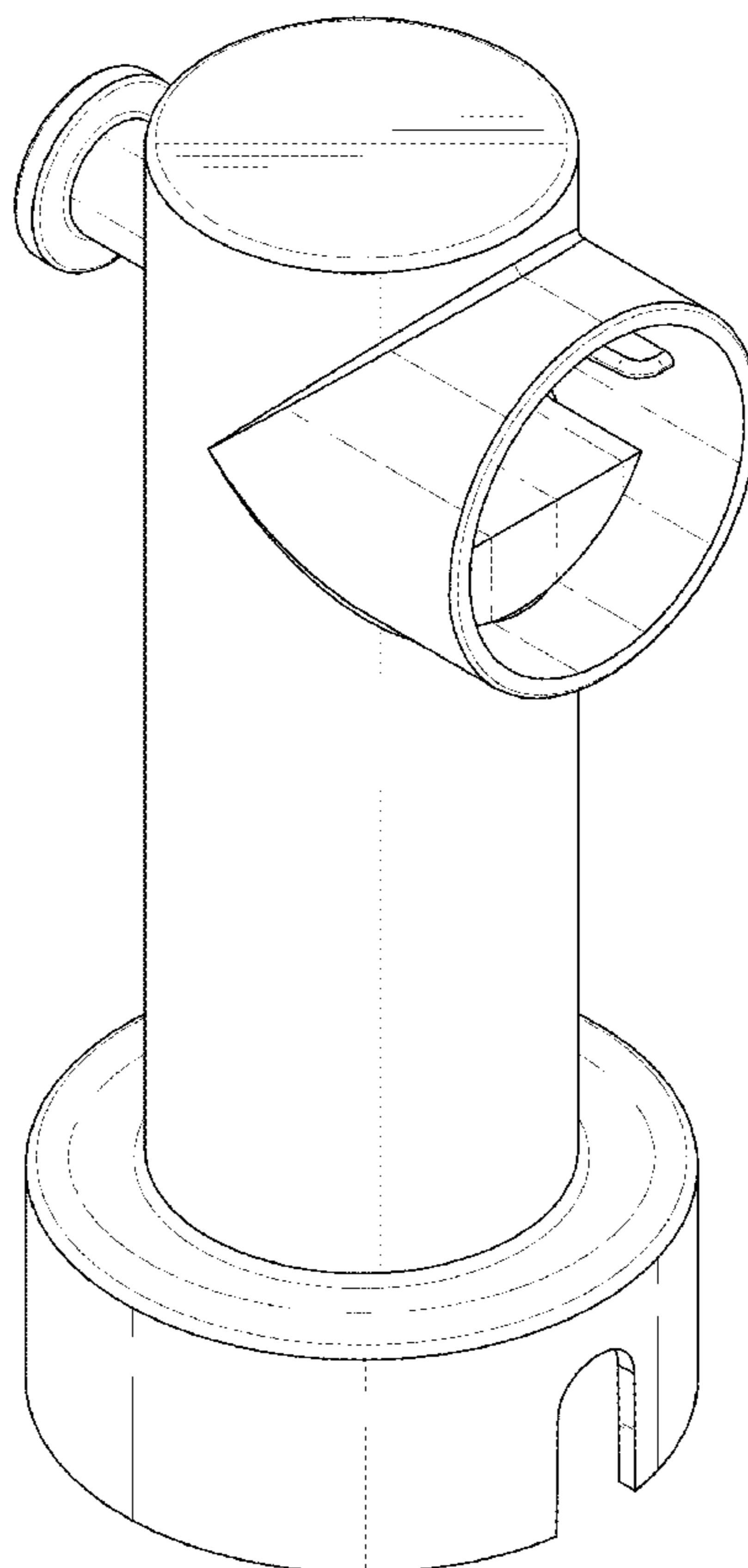
(57) **CLAIM**

I claim the ornamental design for a faucet spout, as shown and described.

DESCRIPTION

FIG. 1 is a Perspective view of a faucet spout showing my new design in open position;
FIG. 2 is a Front view thereof;
FIG. 3 is a Back view thereof;
FIG. 4 is a Right-side view thereof;
FIG. 5 is a Left-side view thereof;
FIG. 6 is a Top view thereof; and,
FIG. 7 is a Bottom view thereof.
The broken lines in the drawings depict portions of the faucet spout that form no part of the claimed design.

1 Claim, 6 Drawing Sheets



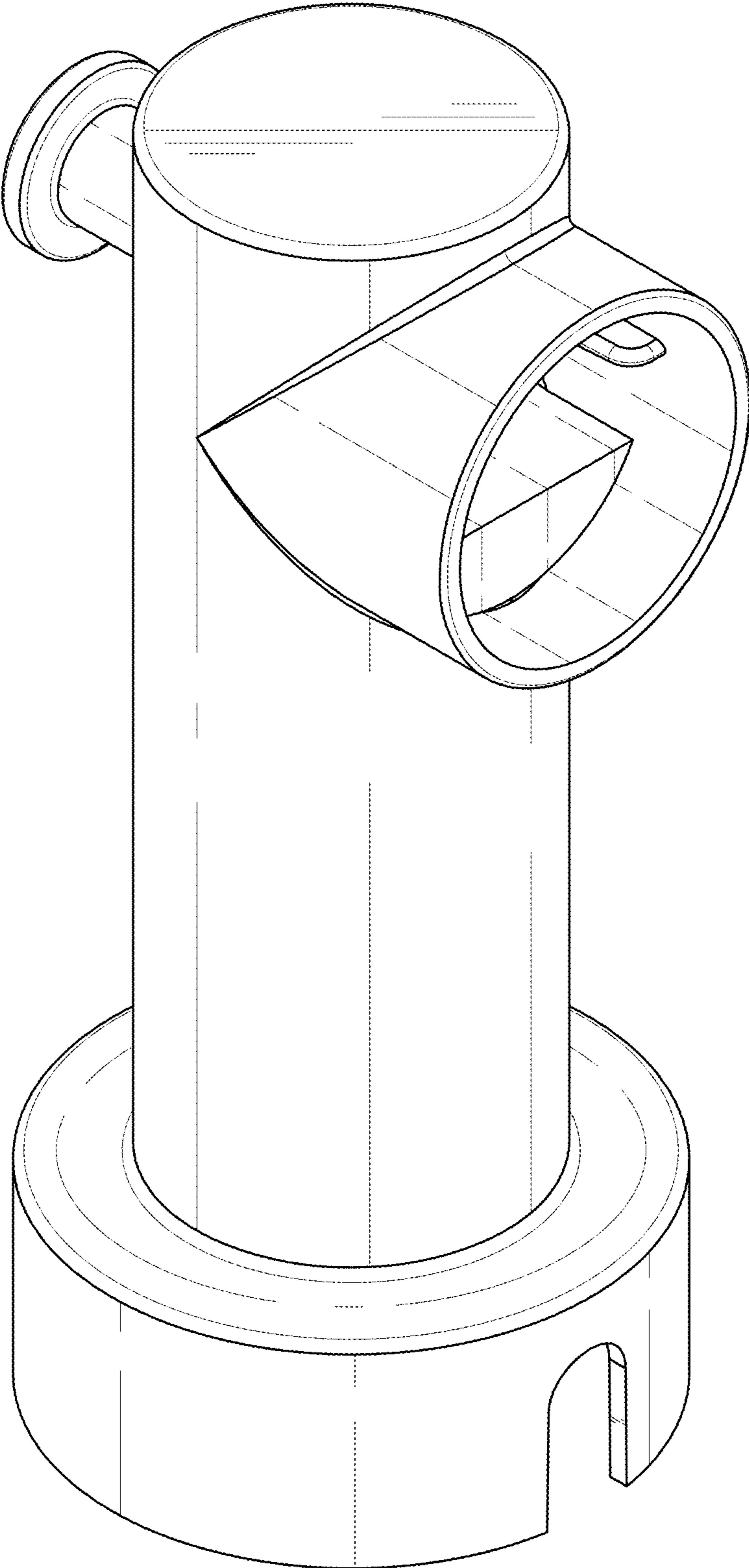


FIG. 1

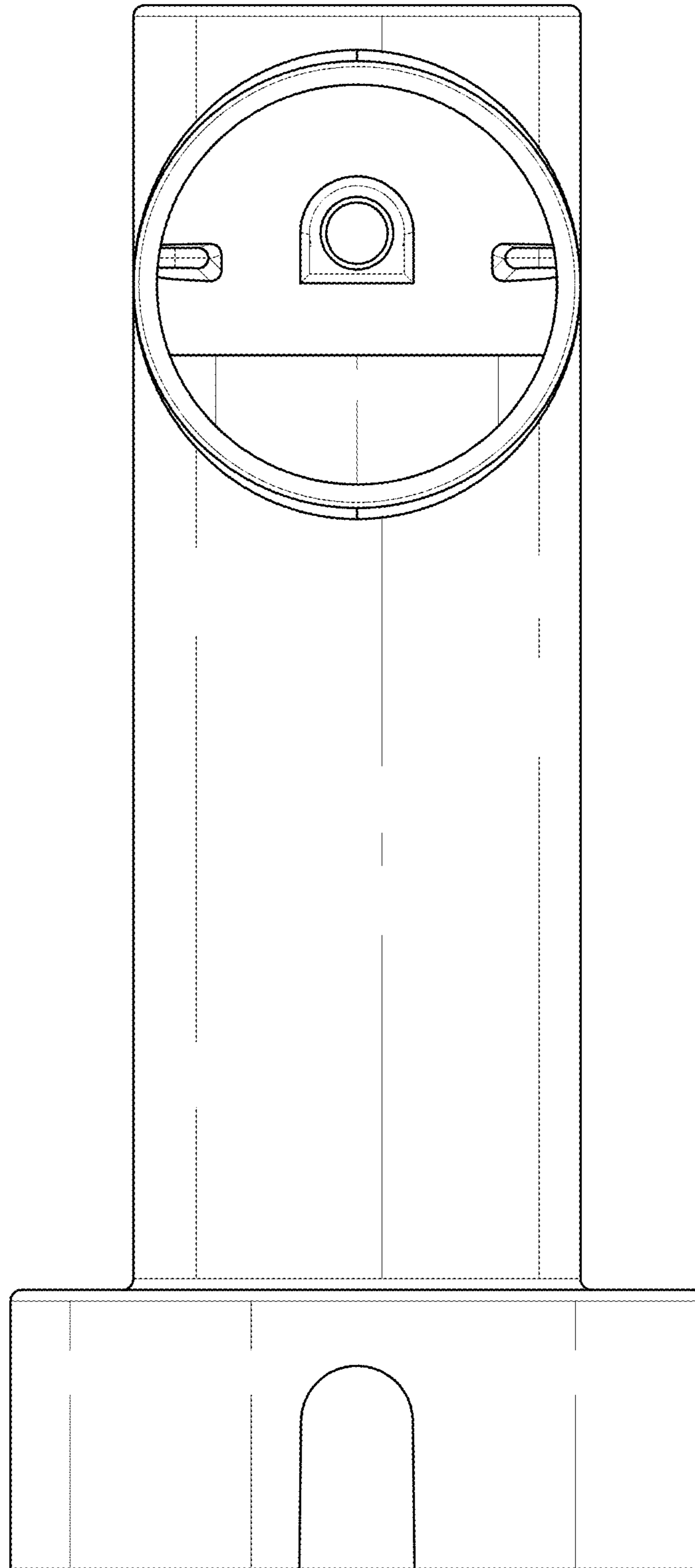


FIG. 2

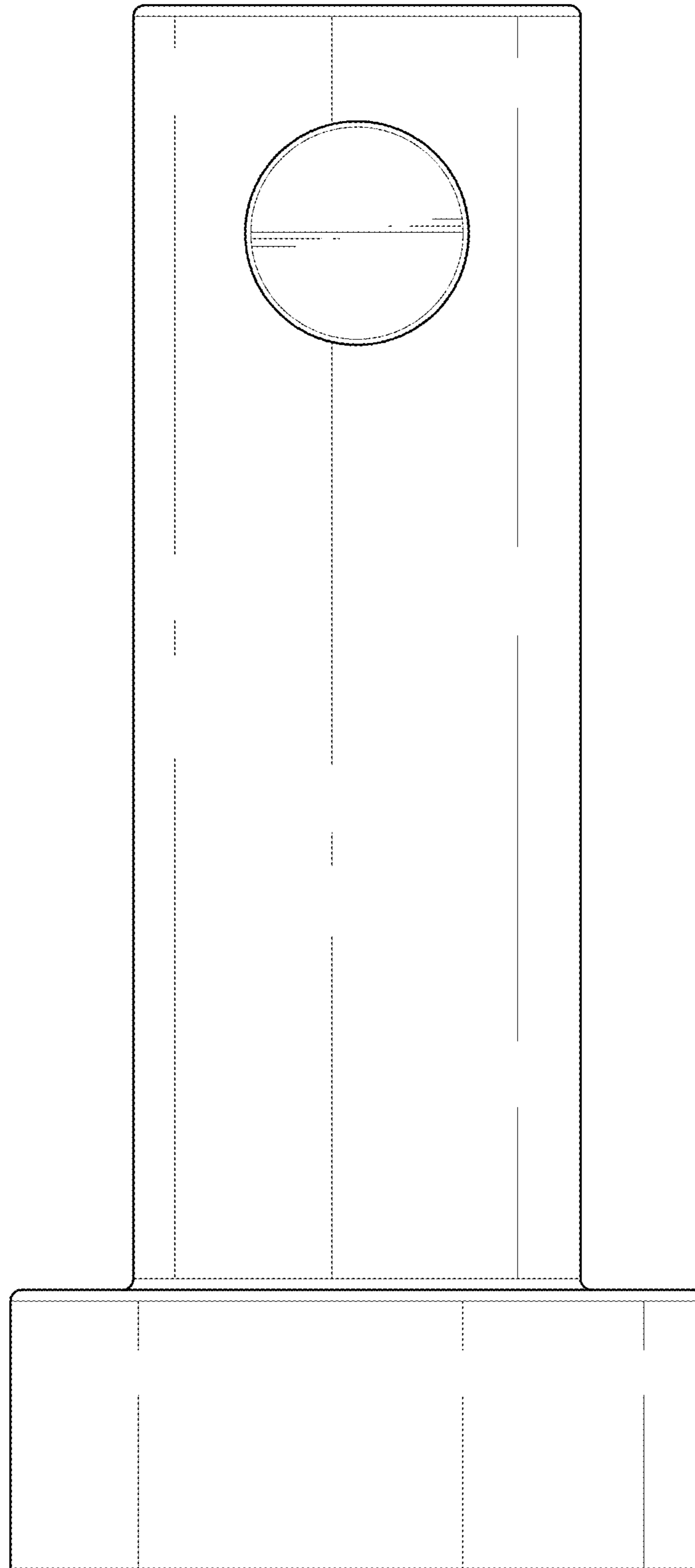


FIG. 3

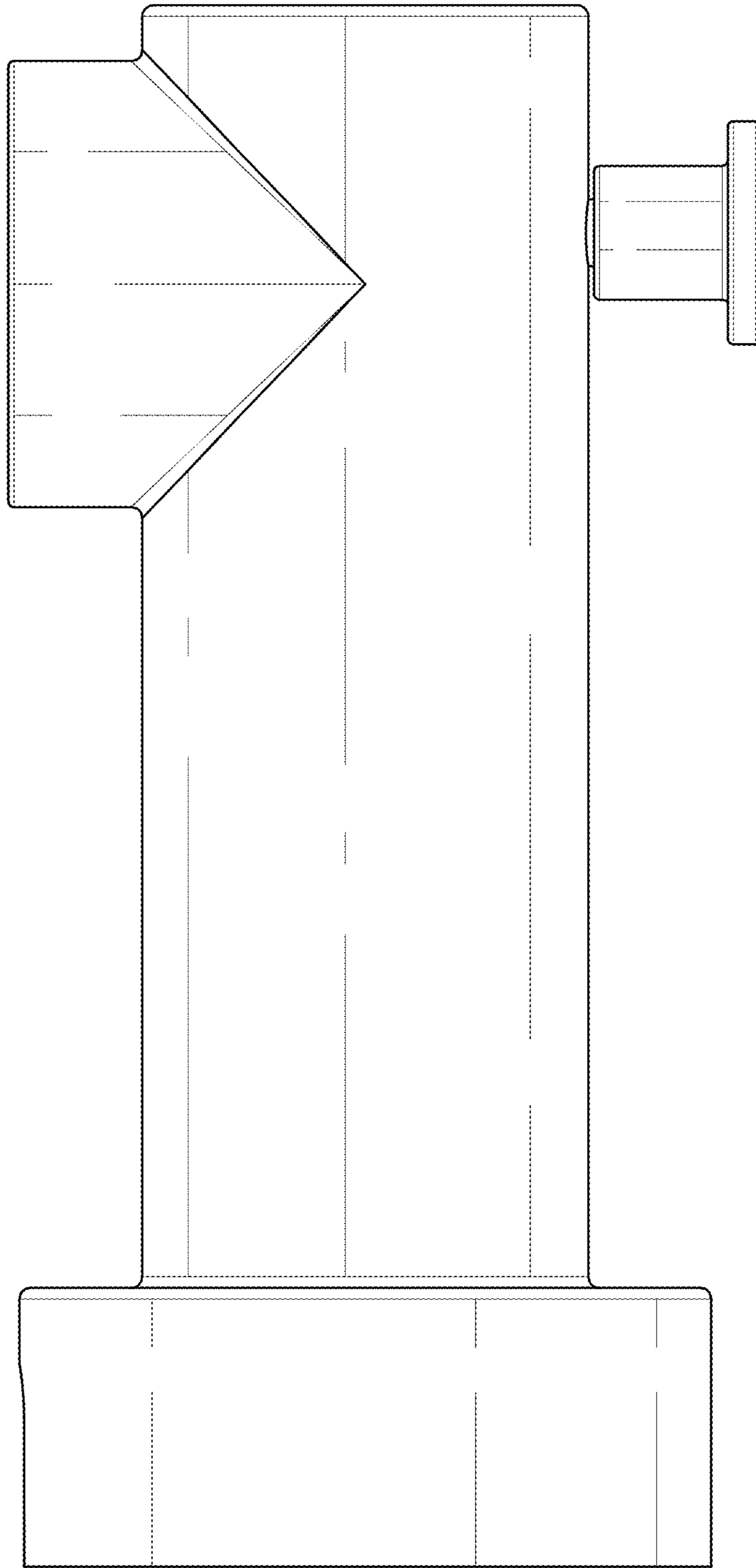


FIG. 4

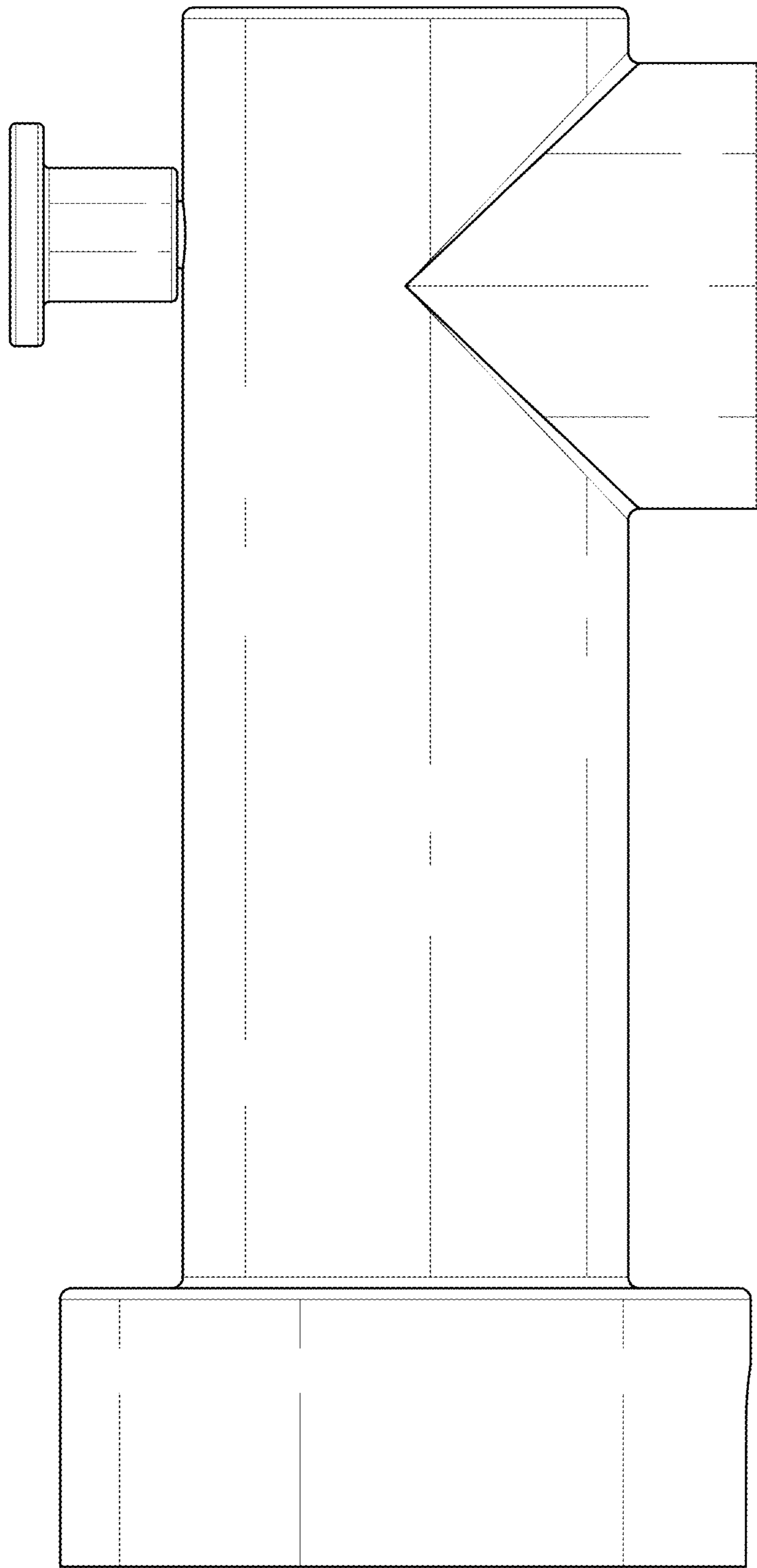


FIG. 5

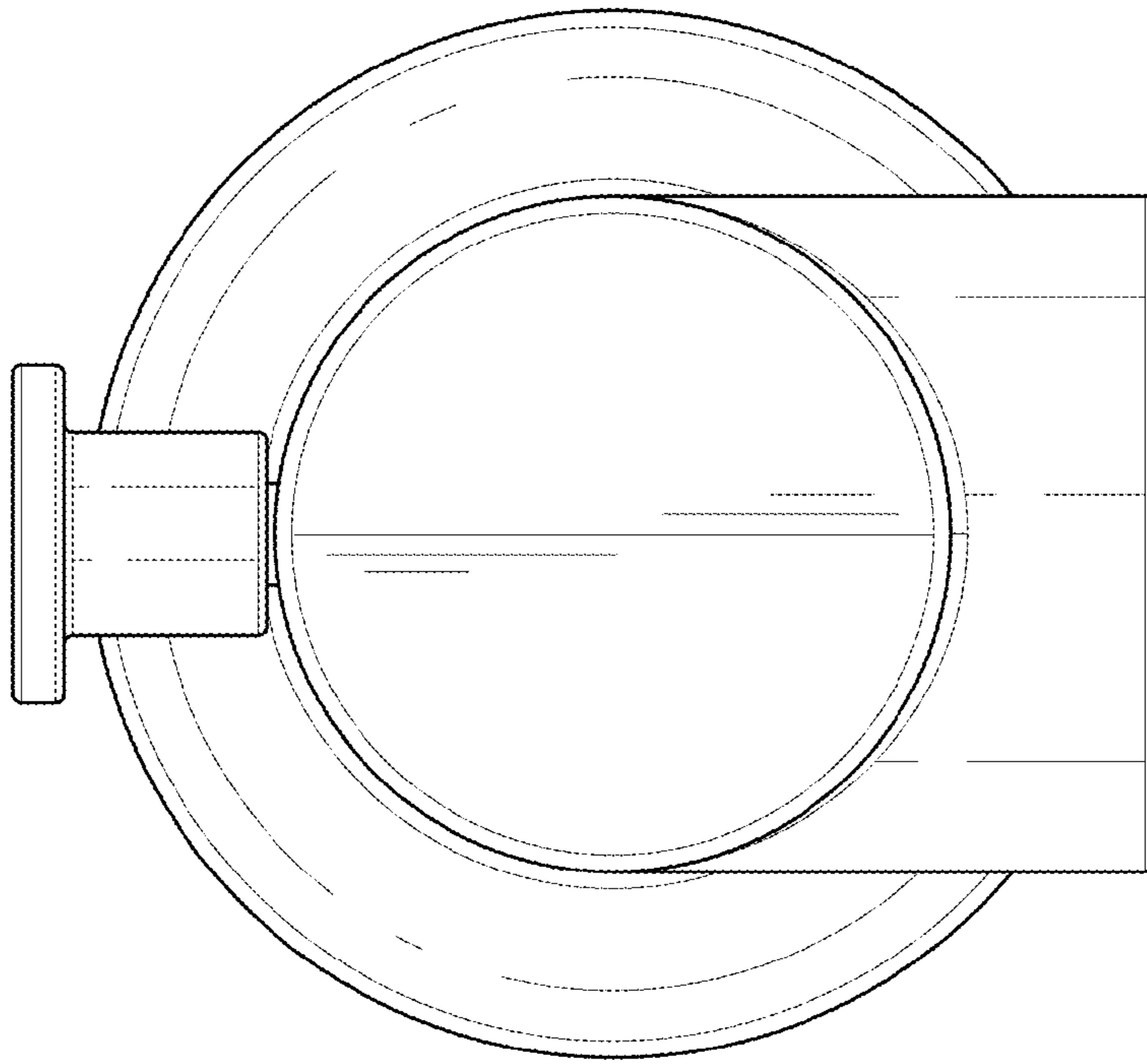


FIG. 6

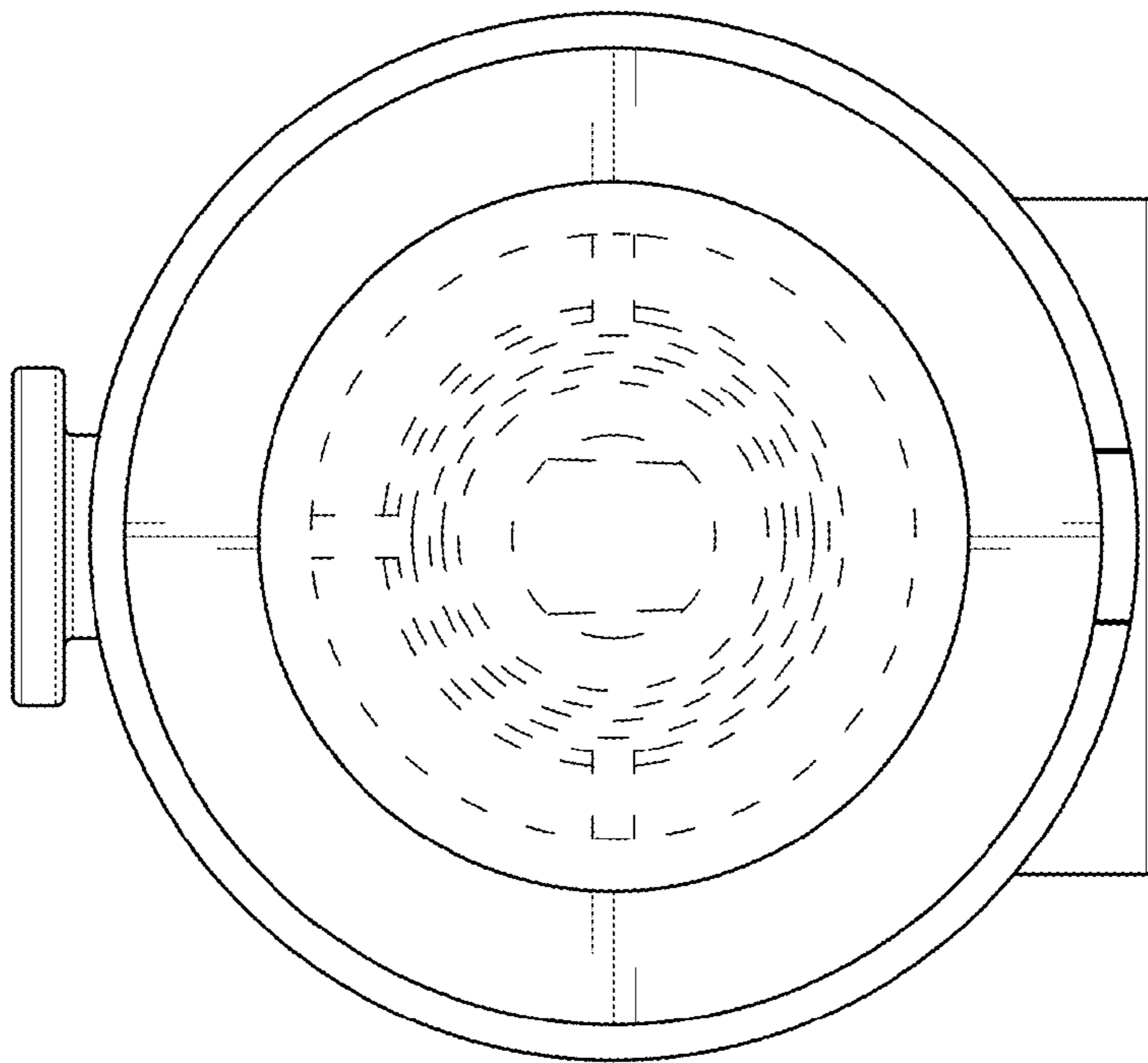


FIG. 7