



US00D921849S

(12) **United States Design Patent**
Seum et al.

(10) **Patent No.:** **US D921,849 S**
(45) **Date of Patent:** **** Jun. 8, 2021**

(54) **FAUCET SPOUT**

D841,130 S * 2/2019 Eads D23/255
2020/0208383 A1* 7/2020 Rosko E03C 1/04

(71) Applicant: **Grohe AG**, Hemer (DE)

* cited by examiner

(72) Inventors: **Michael Seum**, Duesseldorf (DE);
Christoph Kuppert, Cologne (DE)

Primary Examiner — Robert A Delehanty

(73) Assignee: **Grohe AG**, Hemer (DE)

(74) *Attorney, Agent, or Firm* — Muncy, Geissler, Olds & Lowe, P.C.

(**) Term: **15 Years**

(21) Appl. No.: **29/700,692**

(22) Filed: **Aug. 5, 2019**

(57) **CLAIM**

The ornamental design for a faucet spout, as shown and described.

(30) **Foreign Application Priority Data**

Feb. 5, 2019 (EM) 006164083-0002

DESCRIPTION

(51) **LOC (13) Cl.** **23-01**

(52) **U.S. Cl.**
USPC **D23/255**

(58) **Field of Classification Search**
USPC D23/255, 257, 238–243
CPC E03C 1/042
See application file for complete search history.

FIG. 1 is a front perspective view of a faucet spout according to the present invention.

FIG. 2 is a front view of the faucet spout of FIG. 1.

FIG. 3 is a rear view of the faucet spout of FIG. 1.

FIG. 4 is a left side view of the faucet spout of FIG. 1.

FIG. 5 is a right side view of the faucet spout of FIG. 1.

FIG. 6 is a top view of the faucet spout of FIG. 1; and,

FIG. 7 is a bottom view of the faucet spout of FIG. 1.

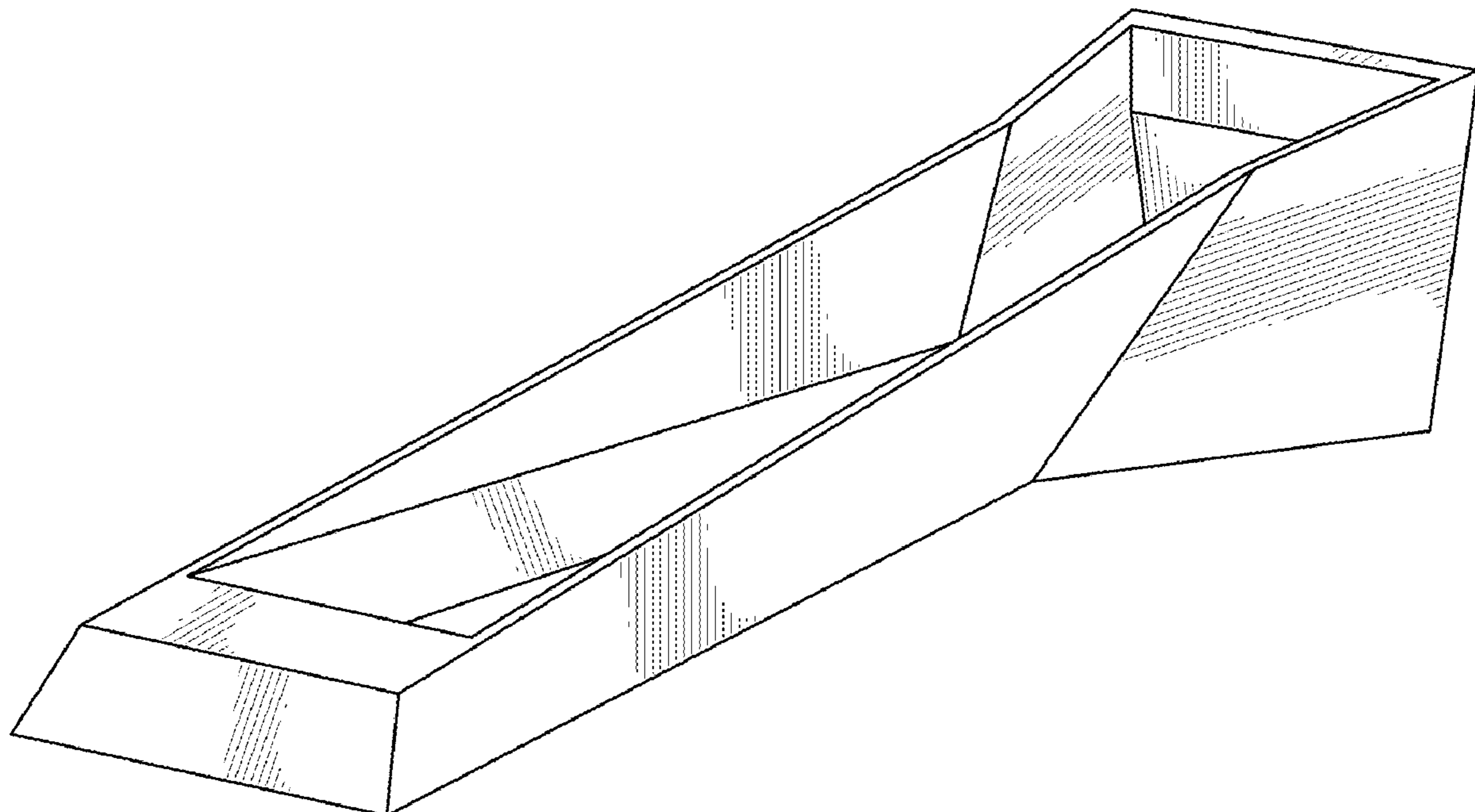
The dashed lines illustrate environment that does not form a part of the present invention, and no claim is made to the material illustrated with dashed lines.

(56) **References Cited**

U.S. PATENT DOCUMENTS

D659,804 S * 5/2012 Flowers D23/255
D798,420 S * 9/2017 Eads D23/255

1 Claim, 7 Drawing Sheets



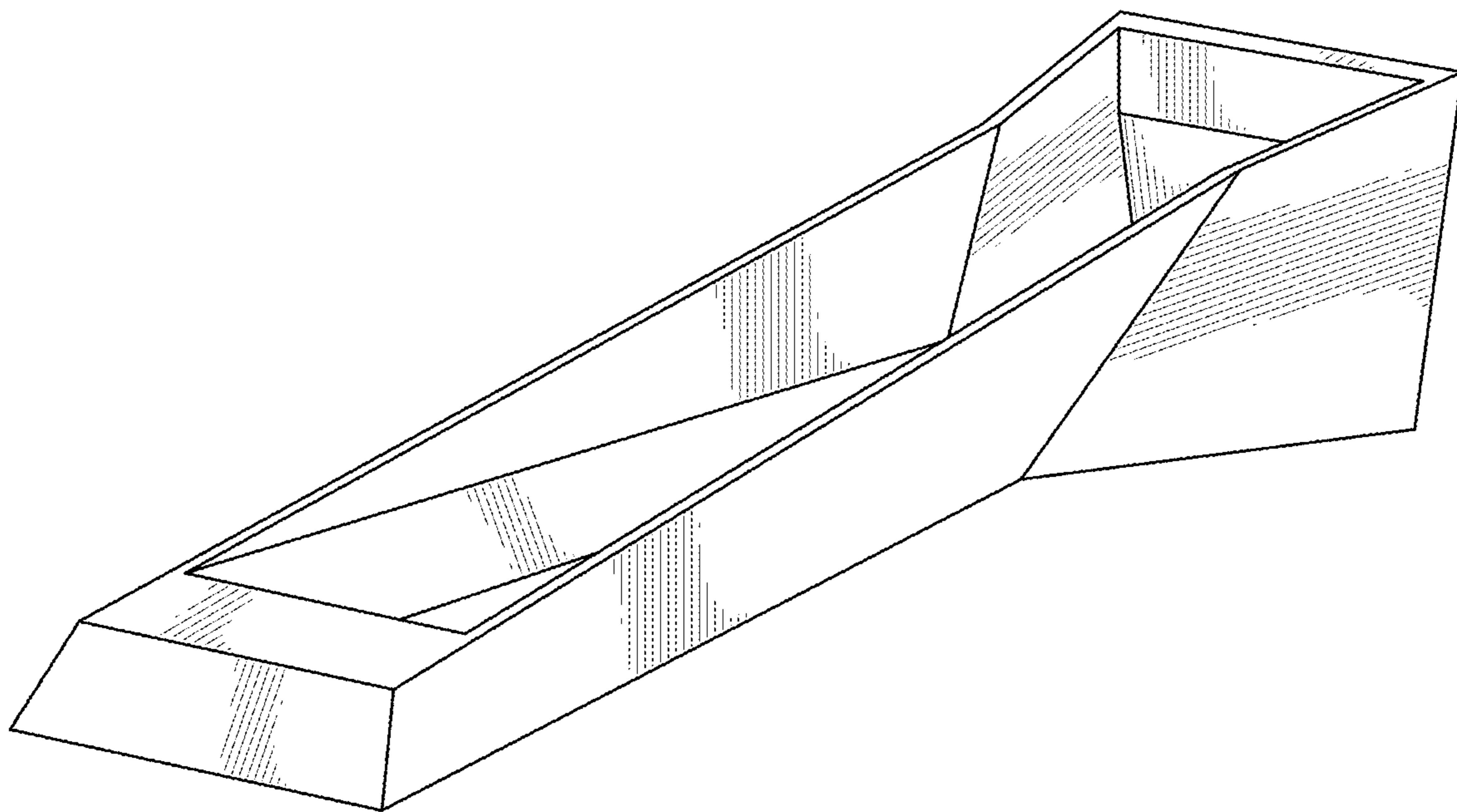


FIG.1

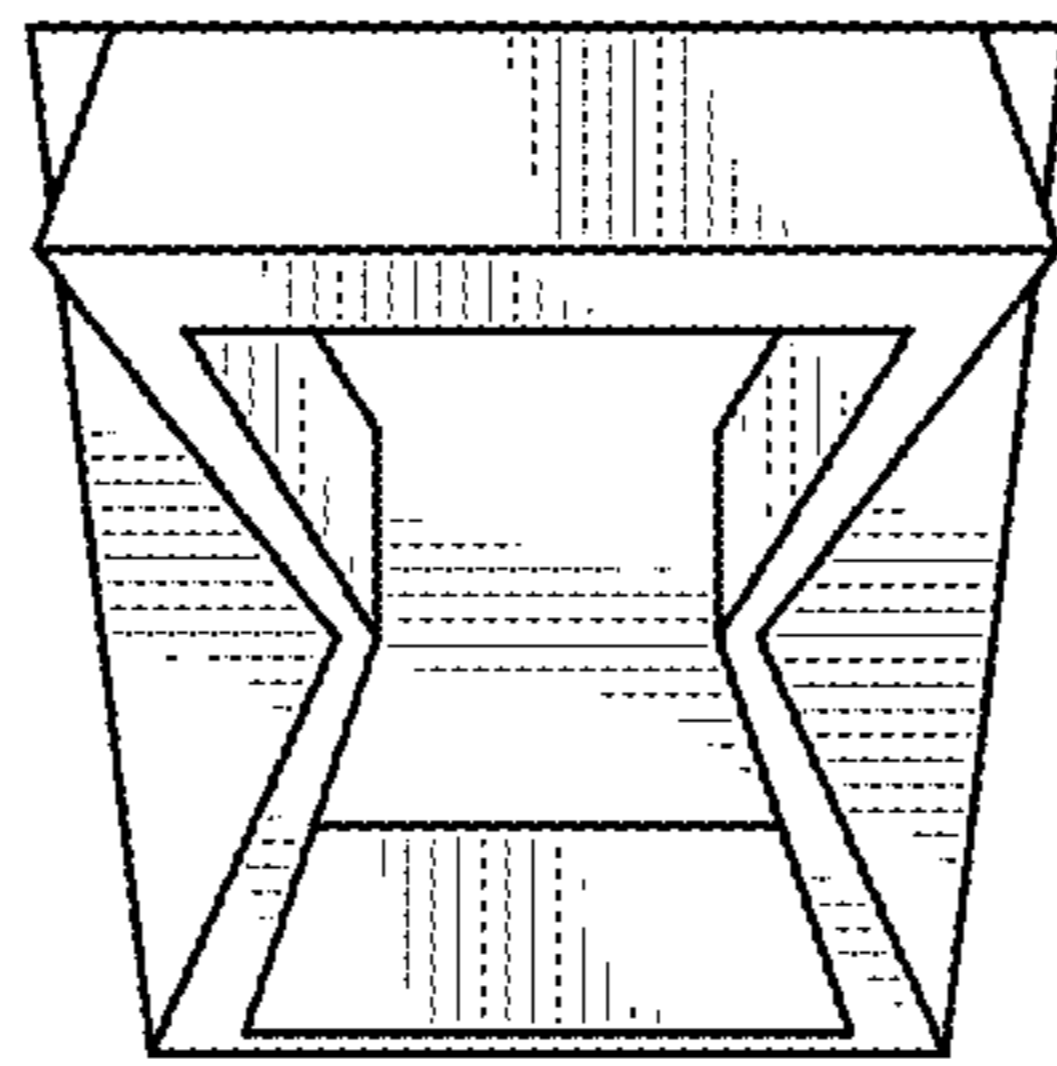


FIG.2

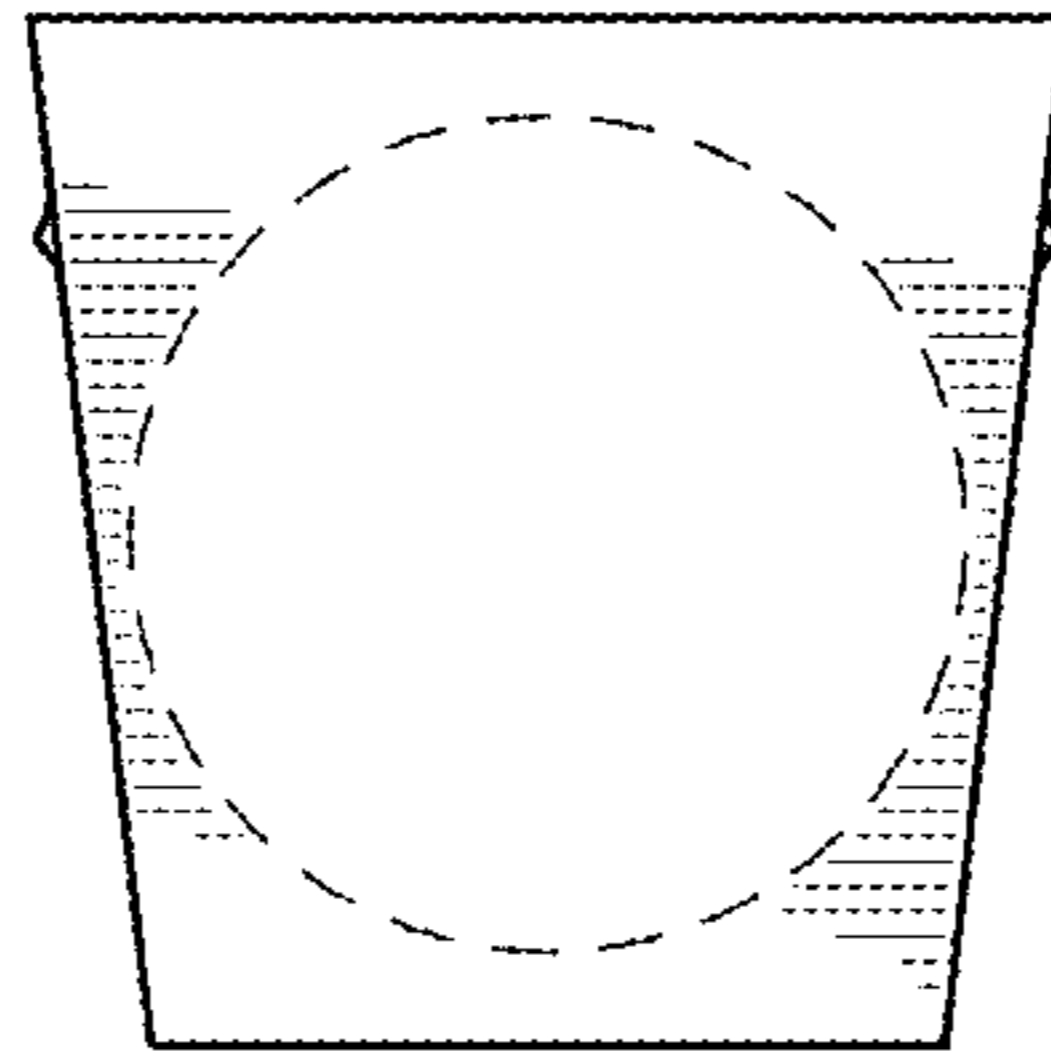


FIG.3

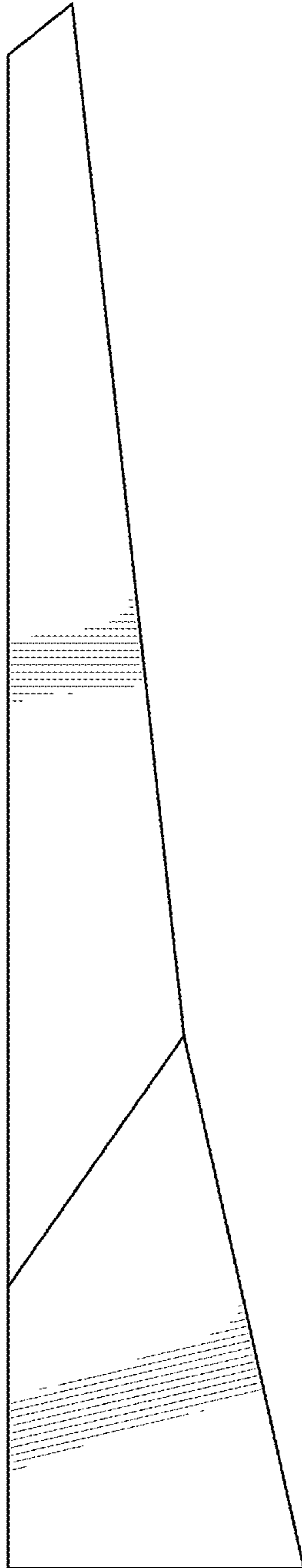


FIG.4

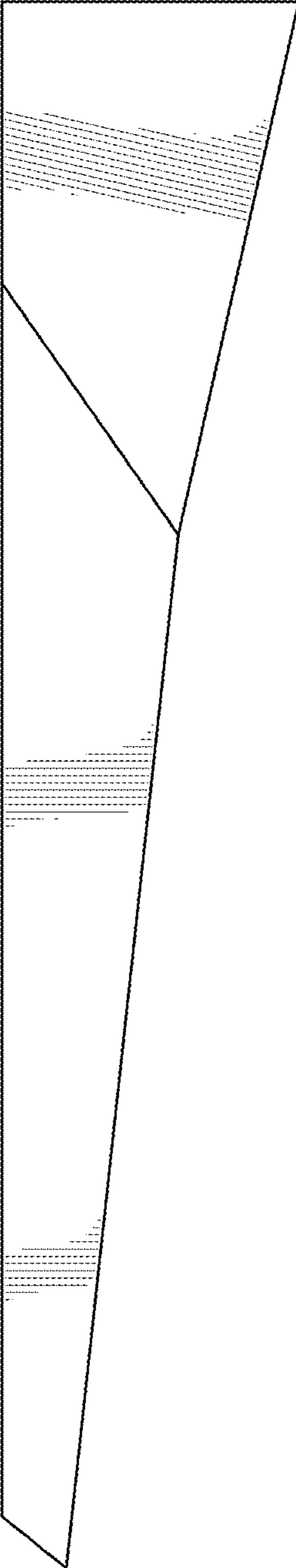


FIG.5

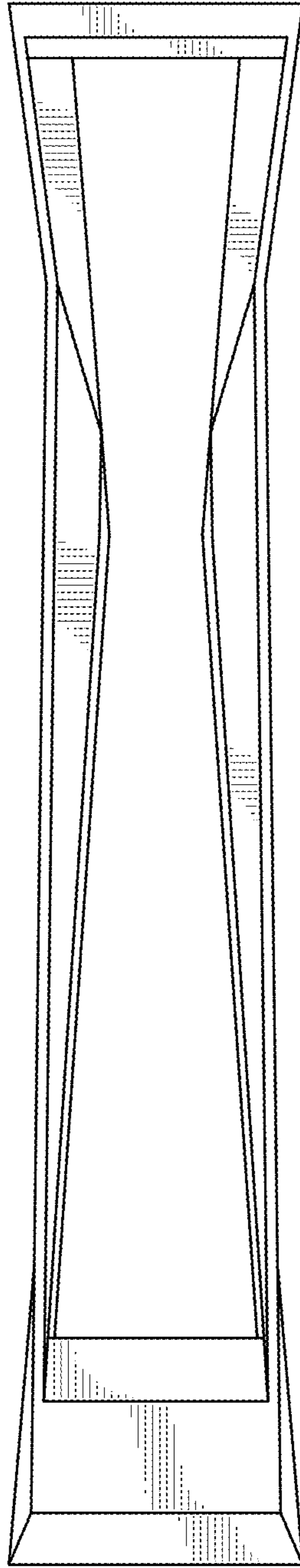


FIG.6

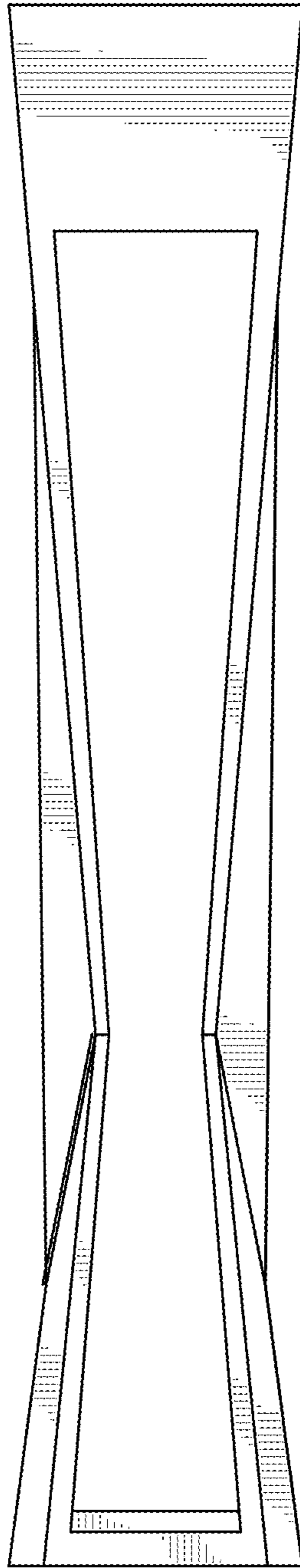


FIG.7