



US00D921848S

(12) **United States Design Patent**  
**Park**

(10) **Patent No.:** **US D921,848 S**

(45) **Date of Patent:** **\*\* Jun. 8, 2021**

(54) **FAUCET HANDLE**

D712,517 S \* 9/2014 Citterio ..... D23/253  
D770,019 S \* 10/2016 Rexach ..... D23/253

(71) Applicant: **DELTA FAUCET COMPANY,**  
Indianapolis, IN (US)

\* cited by examiner

(72) Inventor: **Maris Park,** McCordsville, IN (US)

*Primary Examiner* — Robert A Delehanty

(73) Assignee: **DELTA FAUCET COMPANY,**  
Indianapolis, IN (US)

(74) *Attorney, Agent, or Firm* — Nirav D. Parikh; Edgar  
A. Zarins

(\*\*) Term: **15 Years**

(57) **CLAIM**

(21) Appl. No.: **29/719,536**

The ornamental design for a faucet handle, as shown and  
described.

(22) Filed: **Jan. 6, 2020**

(51) **LOC (13) Cl.** ..... **23-01**

(52) **U.S. Cl.**

USPC ..... **D23/253**

(58) **Field of Classification Search**

USPC ..... D23/238–243, 250, 252–254; D8/300,  
D8/307

See application file for complete search history.

**DESCRIPTION**

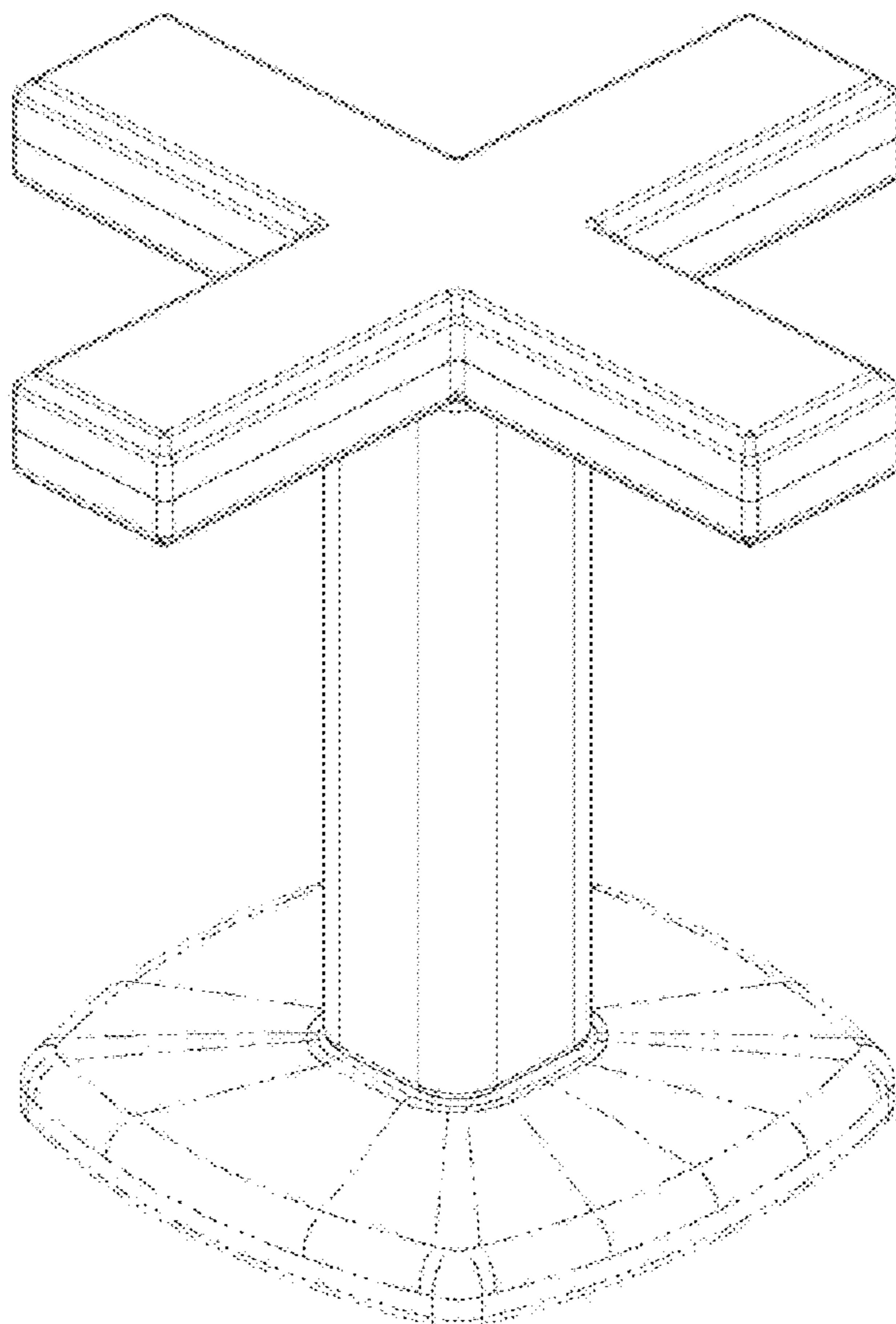
FIG. 1 is a front perspective view of a faucet handle showing  
my new design;  
FIG. 2 is a rear perspective view thereof;  
FIG. 3 is a front elevational view thereof;  
FIG. 4 is a left side view thereof;  
FIG. 5 is a rear view thereof;  
FIG. 6 is a right side view thereof; and,  
FIG. 7 is a top plan view thereof.

(56) **References Cited**

**U.S. PATENT DOCUMENTS**

D553,404 S \* 10/2007 Rexach ..... D6/524  
D588,235 S \* 3/2009 Rexach ..... D23/253

**1 Claim, 4 Drawing Sheets**



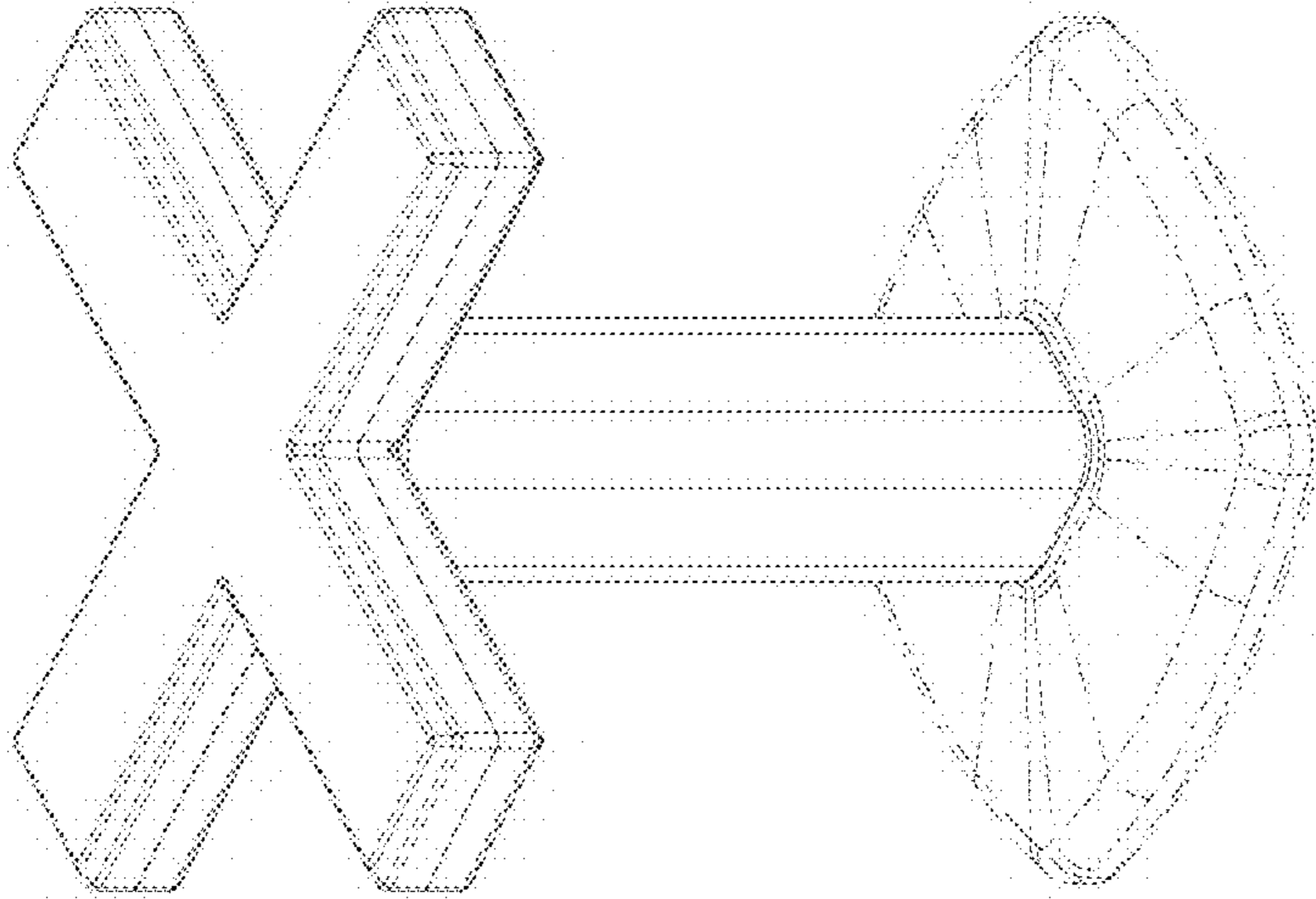


FIG. 2

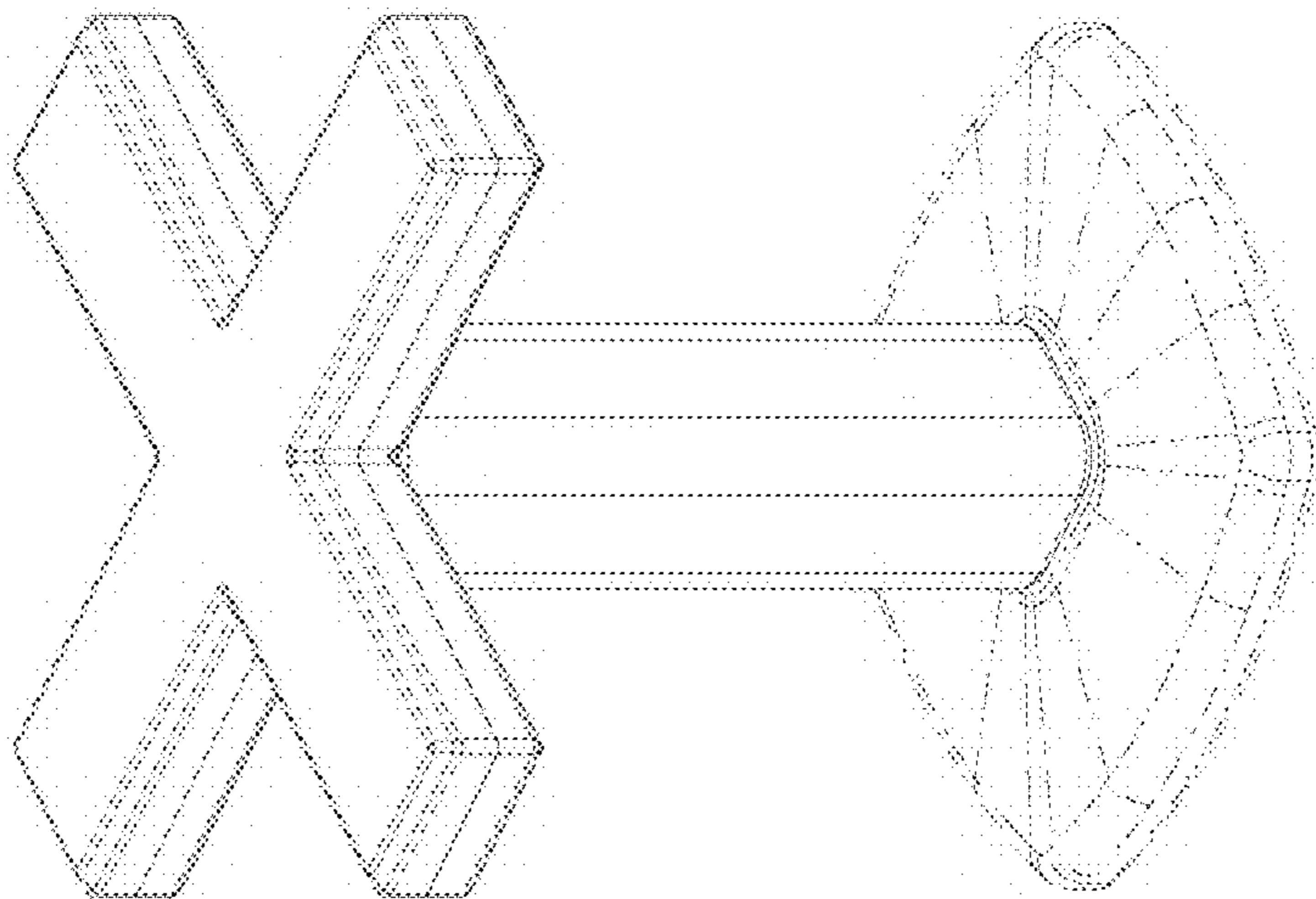


FIG. 1

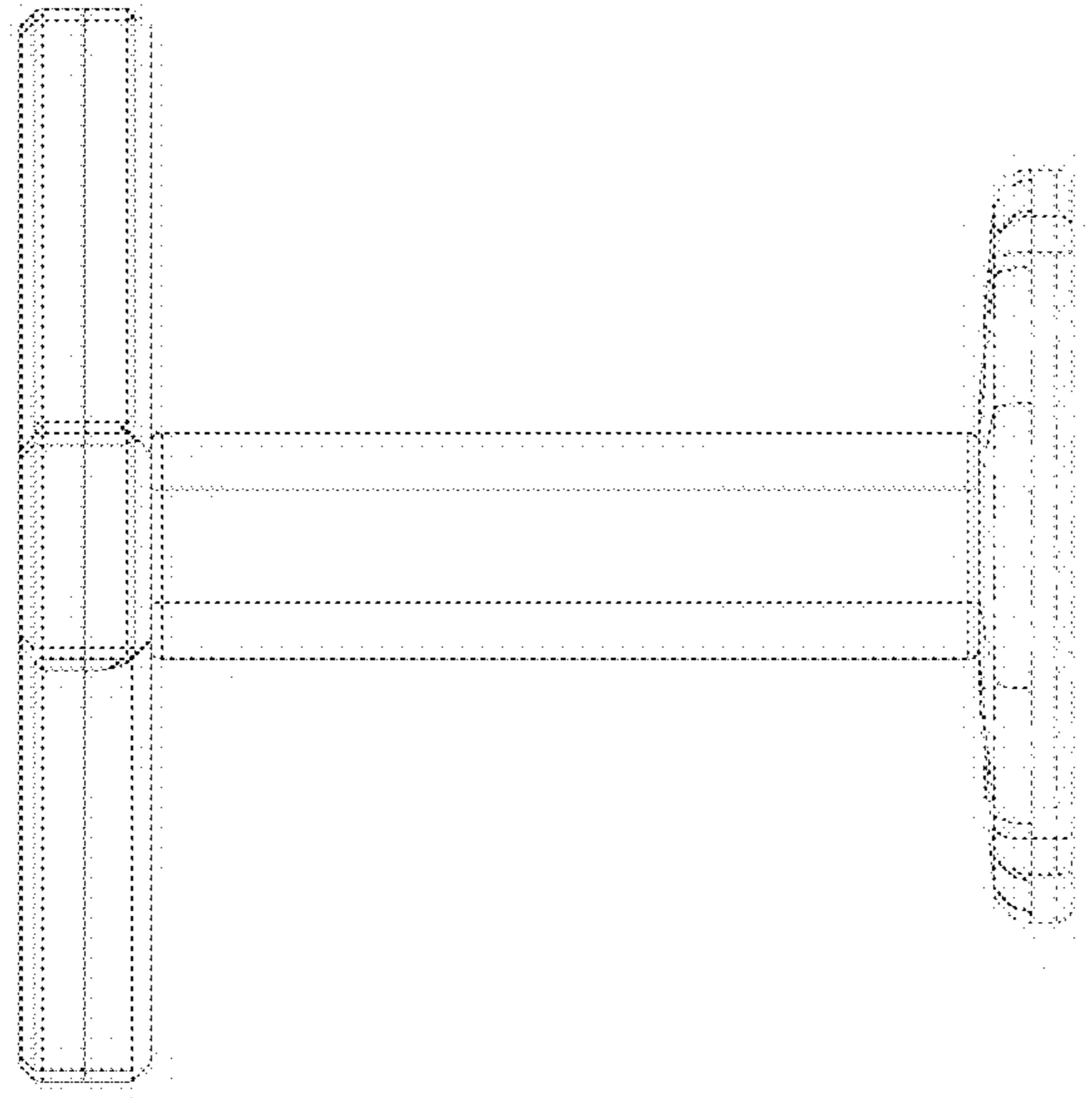


FIG. 4

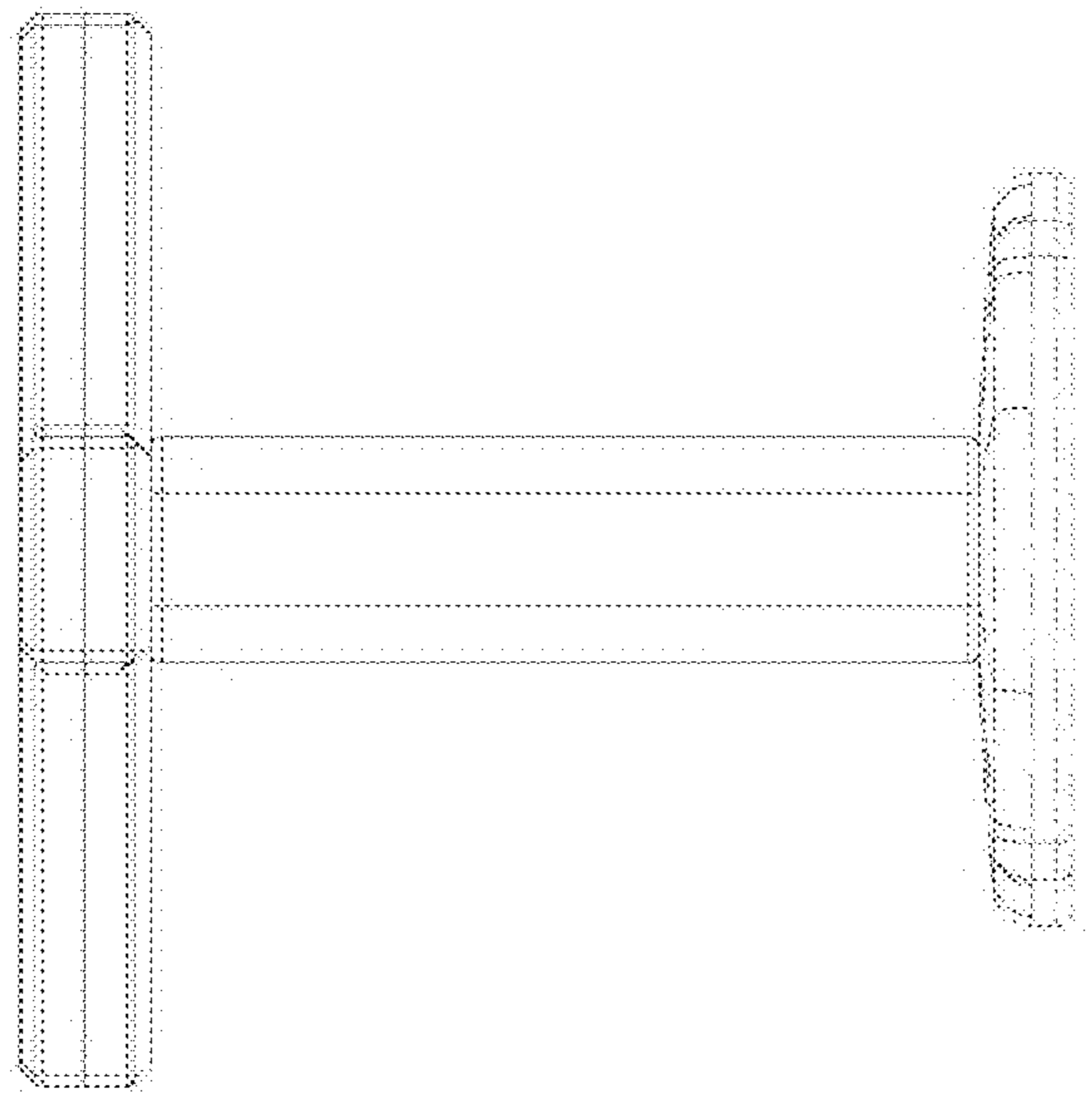


FIG. 3

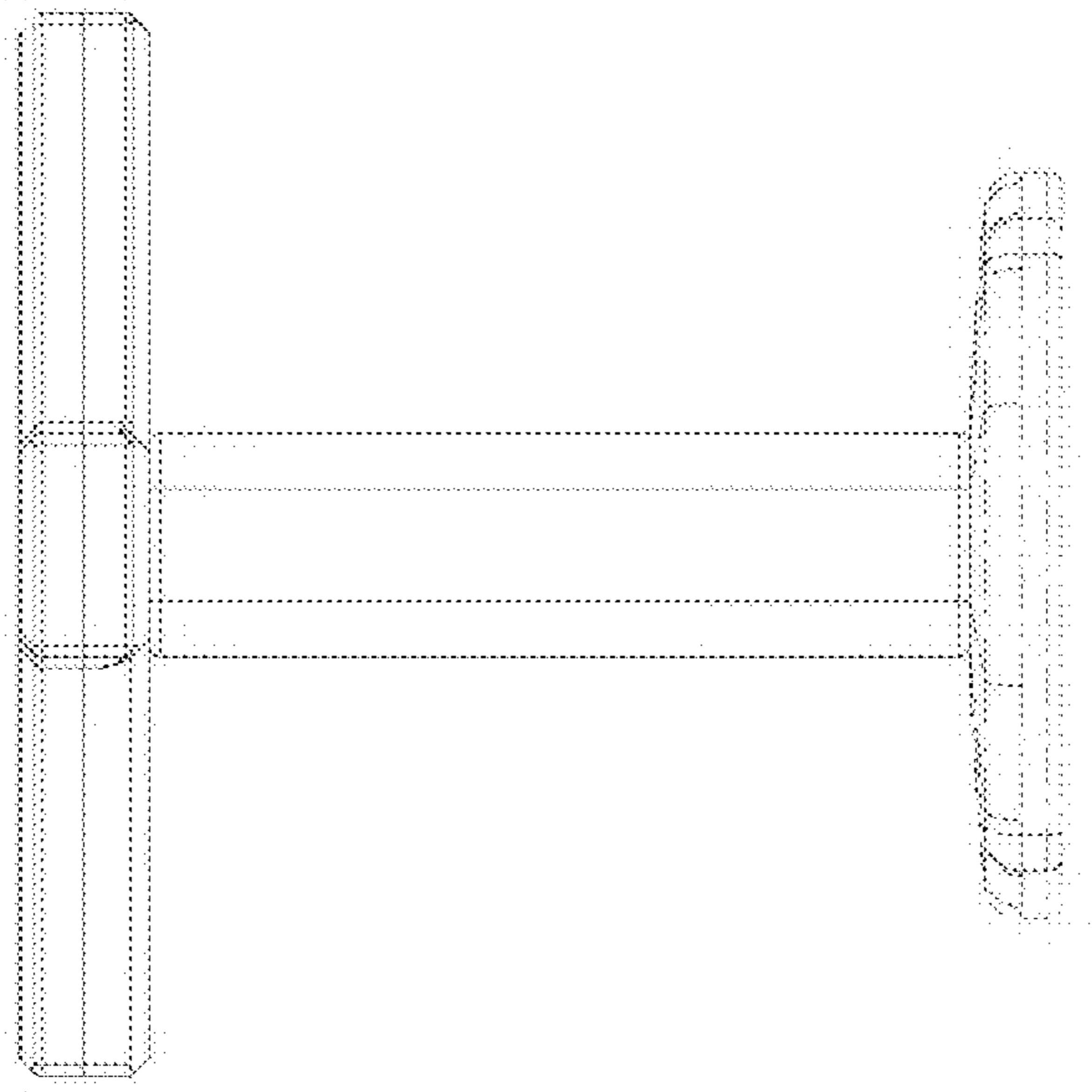


FIG. 5

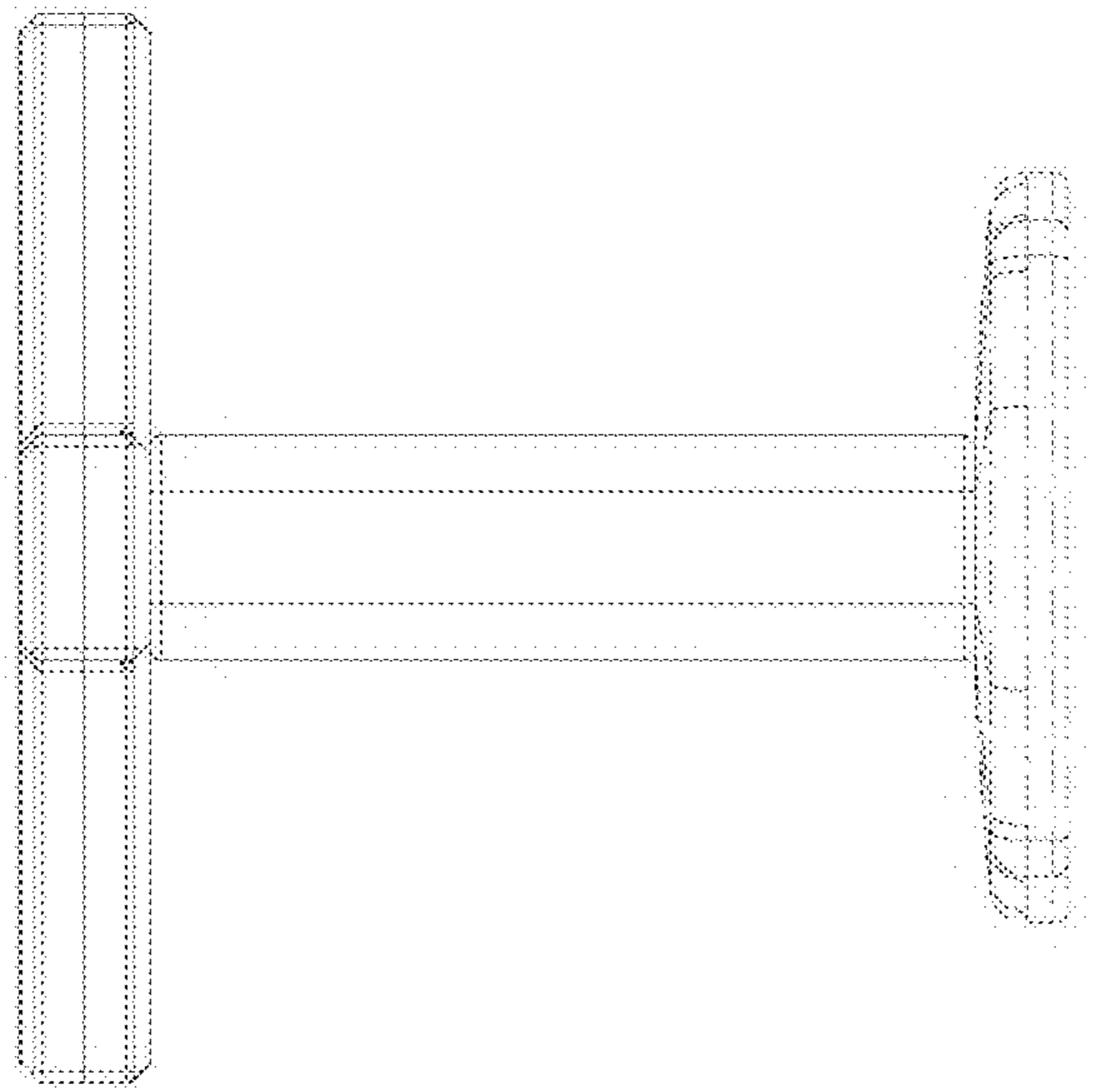


FIG. 6

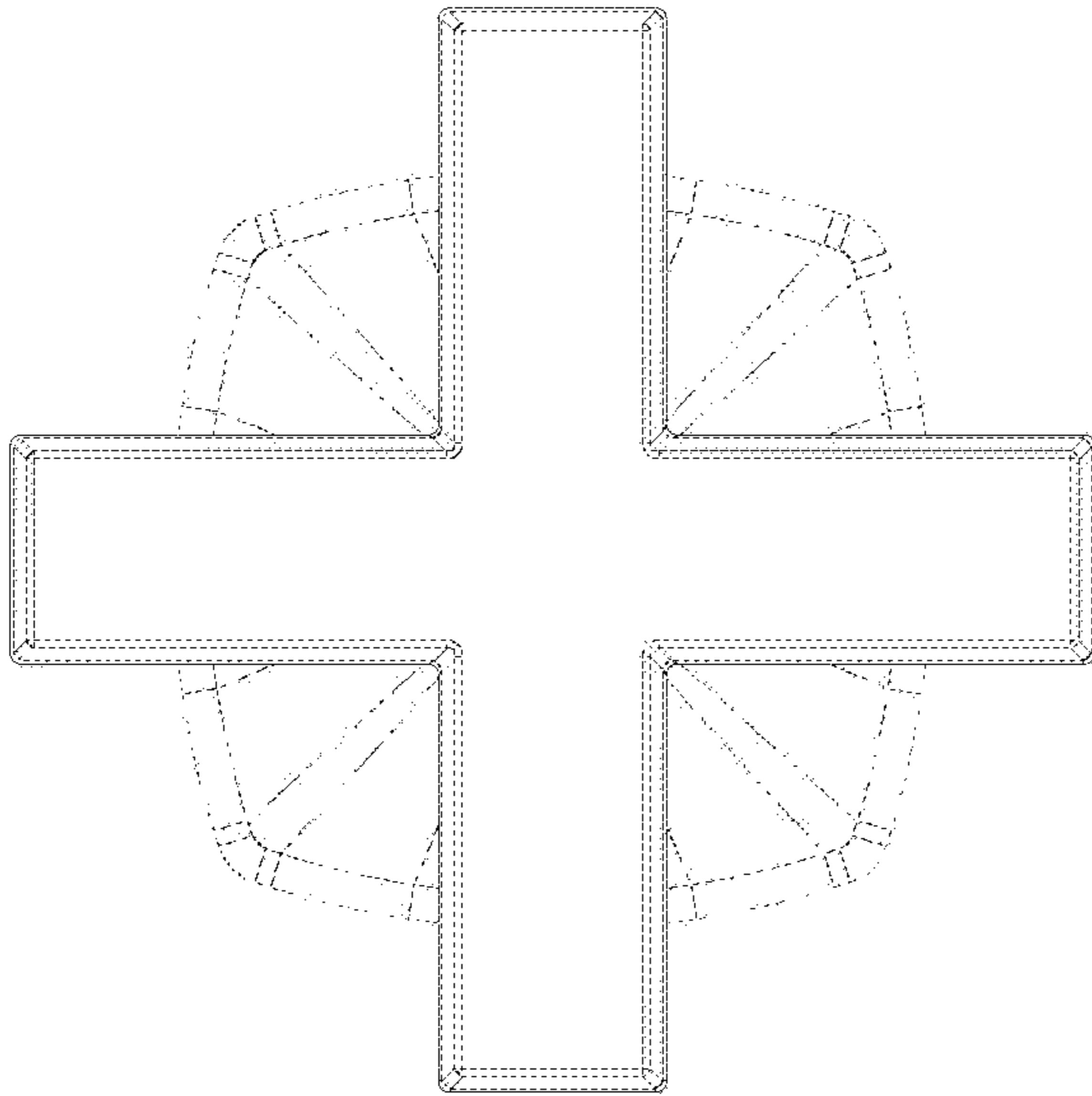


FIG- 7