



US00D921846S

(12) **United States Design Patent**
Lazarini

(10) **Patent No.:** **US D921,846 S**
(45) **Date of Patent:** **** Jun. 8, 2021**

(54) **FAUCET HANDLE**

D893,679 S * 8/2020 Park D23/252
D903,820 S * 12/2020 Takahashi D23/238

(71) Applicant: **DELTA FAUCET COMPANY,**
Indianapolis, IN (US)

* cited by examiner

(72) Inventor: **Alejandra Lazarini,** Carmel, IN (US)

Primary Examiner — Robert A Delehanty

(73) Assignee: **DELTA FAUCET COMPANY,**
Indianapolis, IN (US)

(74) *Attorney, Agent, or Firm* — Nirav D. Parikh; Edgar
A. Zarins

(**) Term: **15 Years**

(57) **CLAIM**

(21) Appl. No.: **29/721,437**

The ornamental design for a faucet handle, as shown and
described.

(22) Filed: **Jan. 21, 2020**

(51) **LOC (13) Cl.** **23-01**

(52) **U.S. Cl.**
USPC **D23/252**

(58) **Field of Classification Search**
USPC D23/238–243, 250, 252, 254; D8/300,
D8/307

See application file for complete search history.

DESCRIPTION

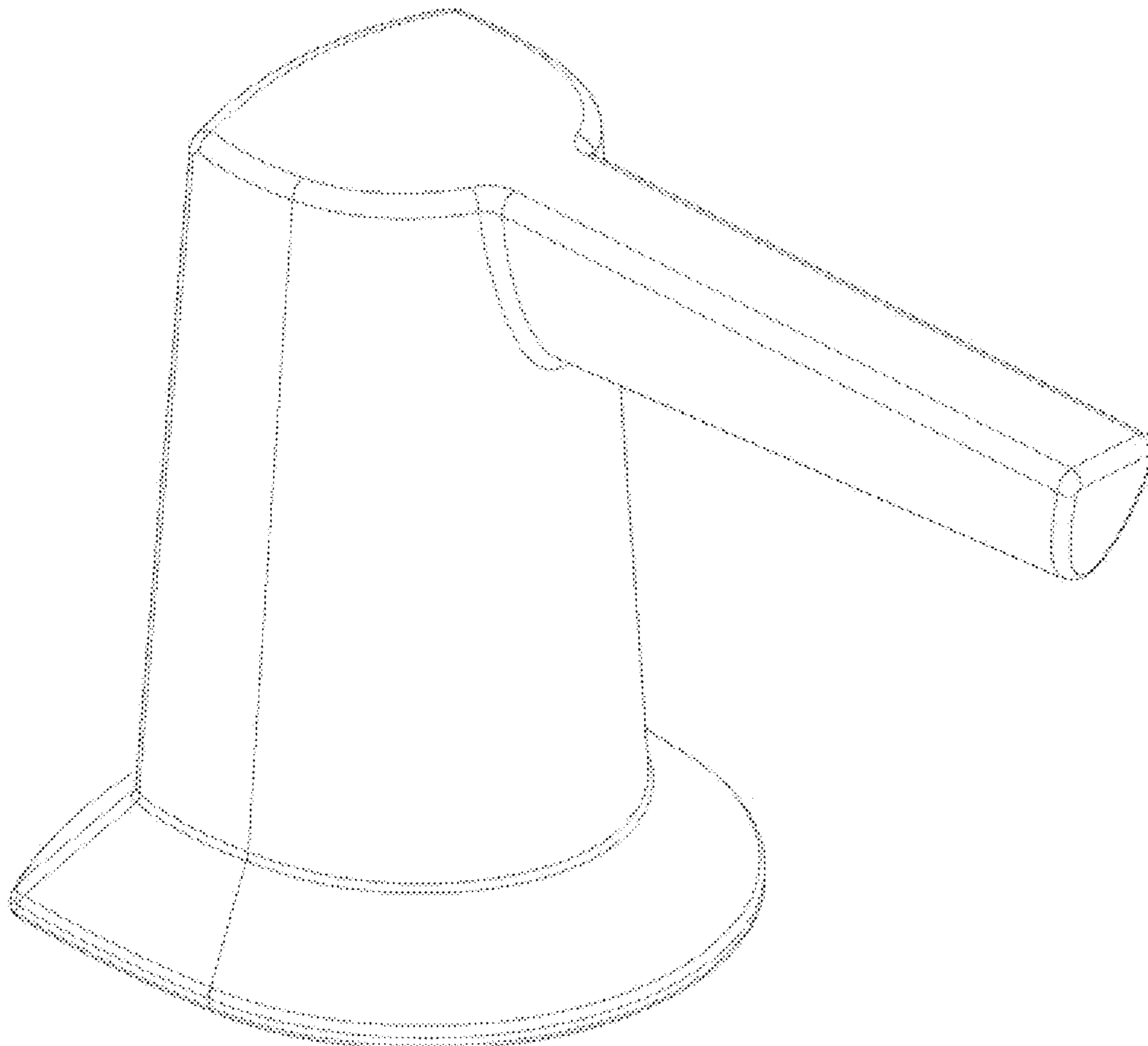
FIG. 1 is a front perspective view of a faucet handle showing
my new design;
FIG. 2 is a rear perspective view thereof;
FIG. 3 is a front elevational view thereof;
FIG. 4 is a left side view thereof;
FIG. 5 is a rear view thereof;
FIG. 6 is a right side view thereof; and,
FIG. 7 is a top plan view thereof.

(56) **References Cited**

U.S. PATENT DOCUMENTS

D862,657 S * 10/2019 Bahler D23/252

1 Claim, 4 Drawing Sheets



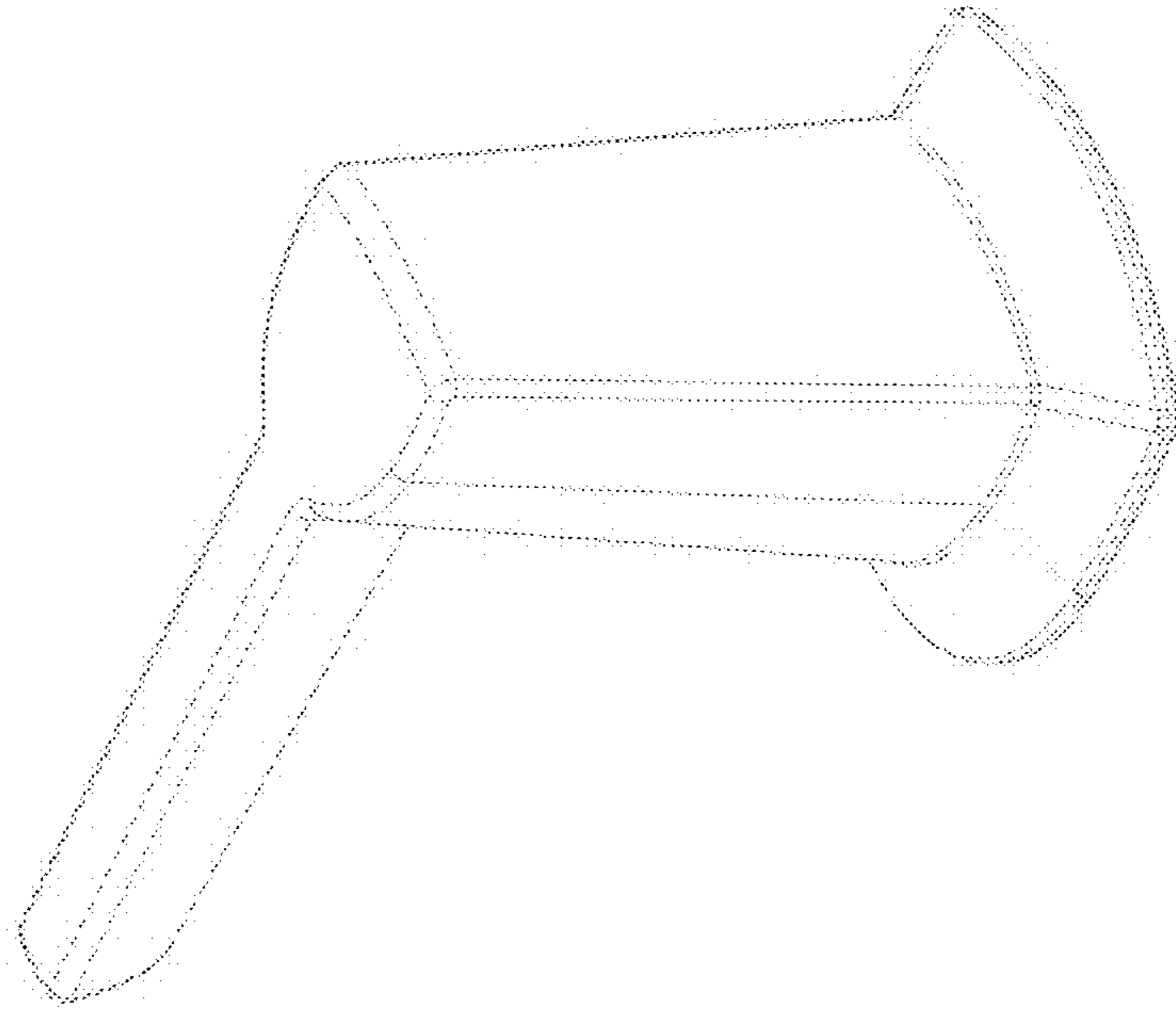


FIG. 1

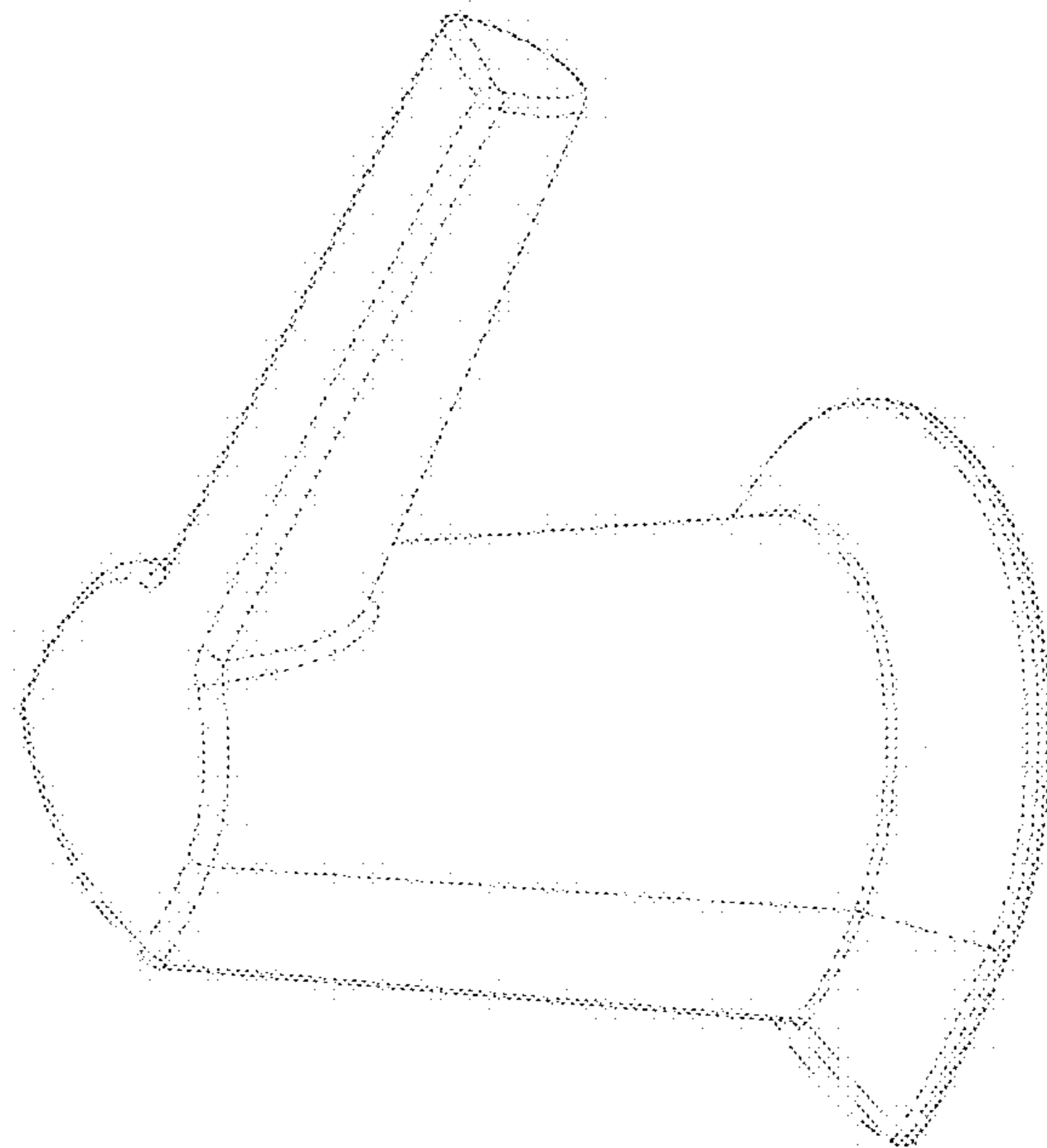


FIG. 2

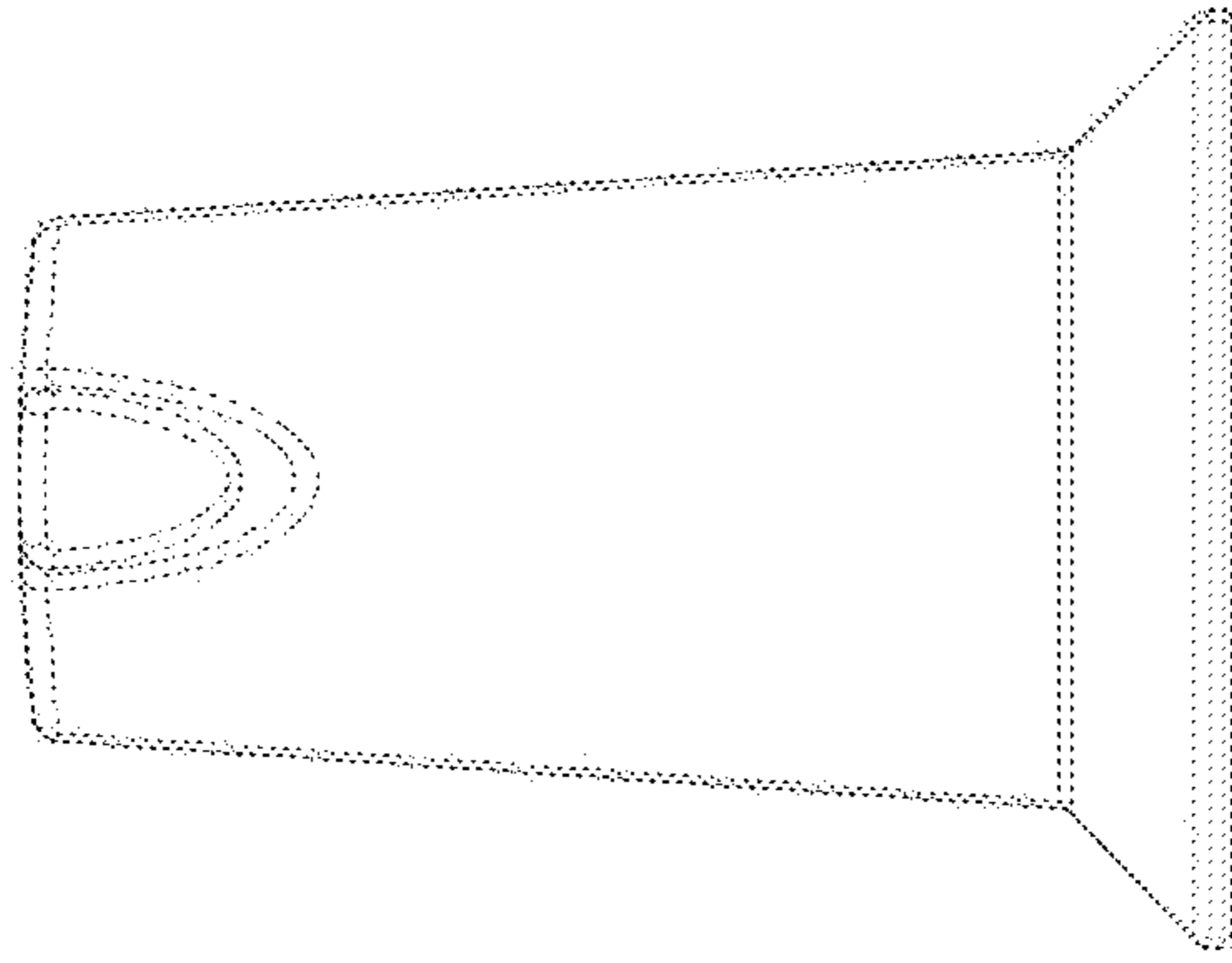


FIG. 4

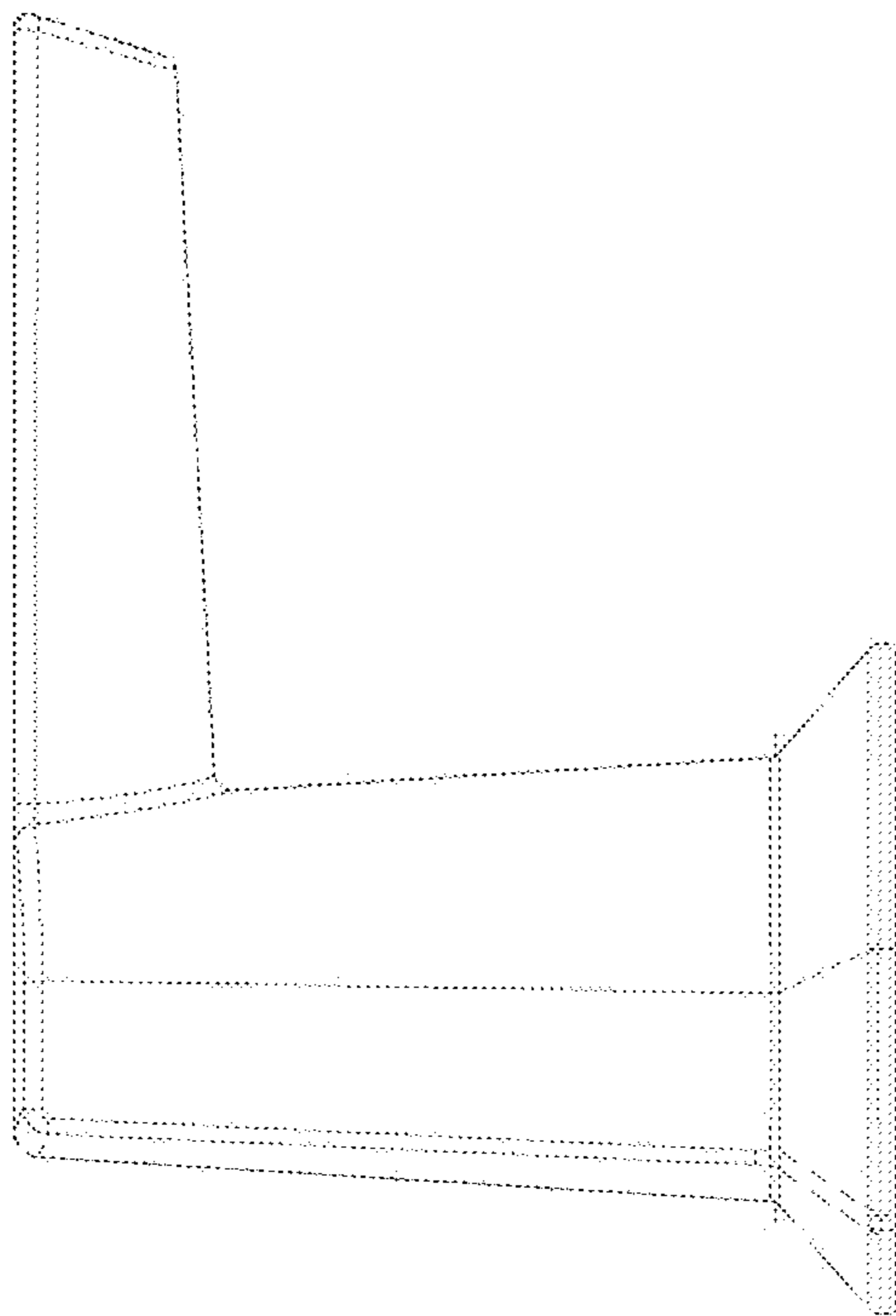


FIG. 3

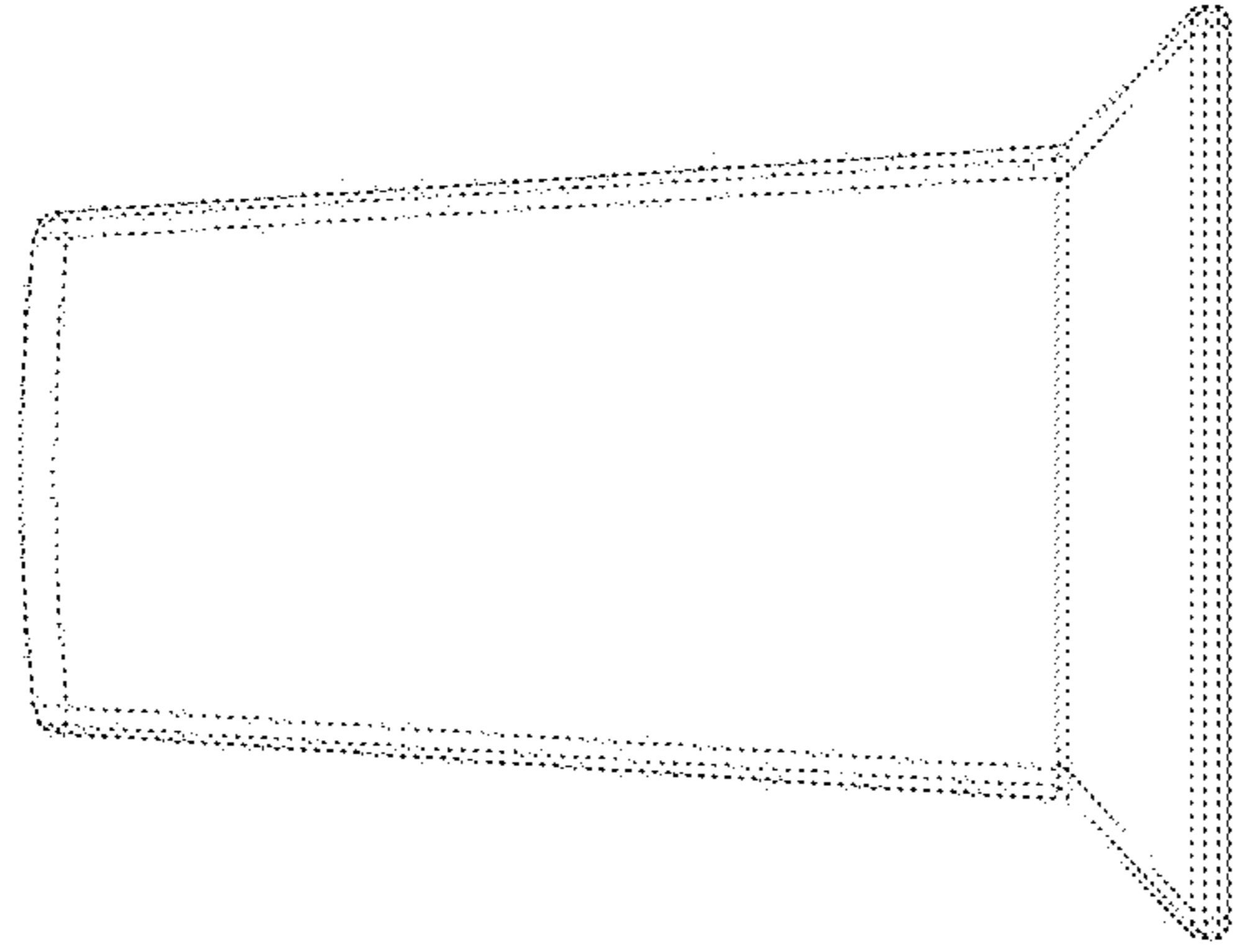


FIG. 6

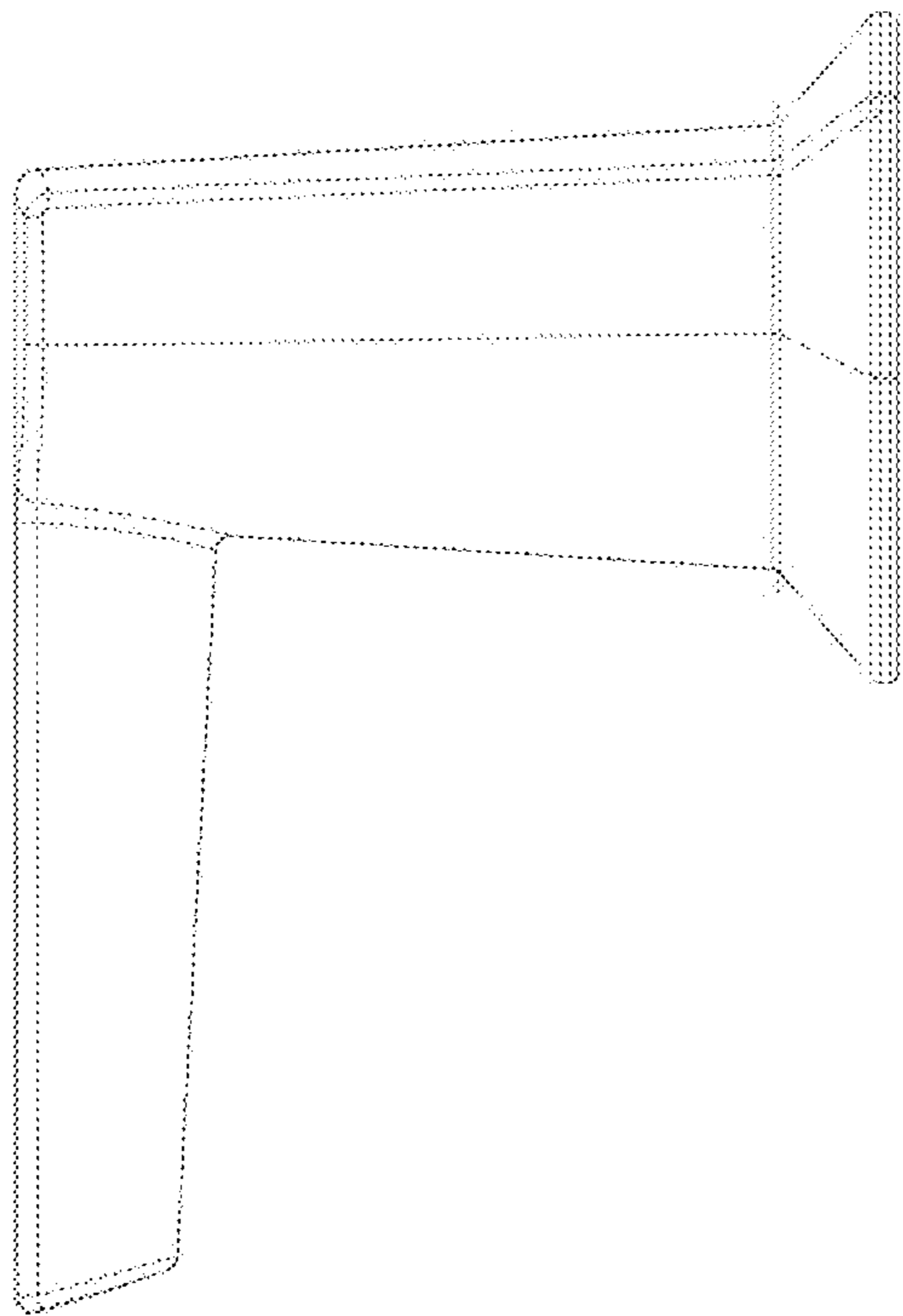


FIG. 5

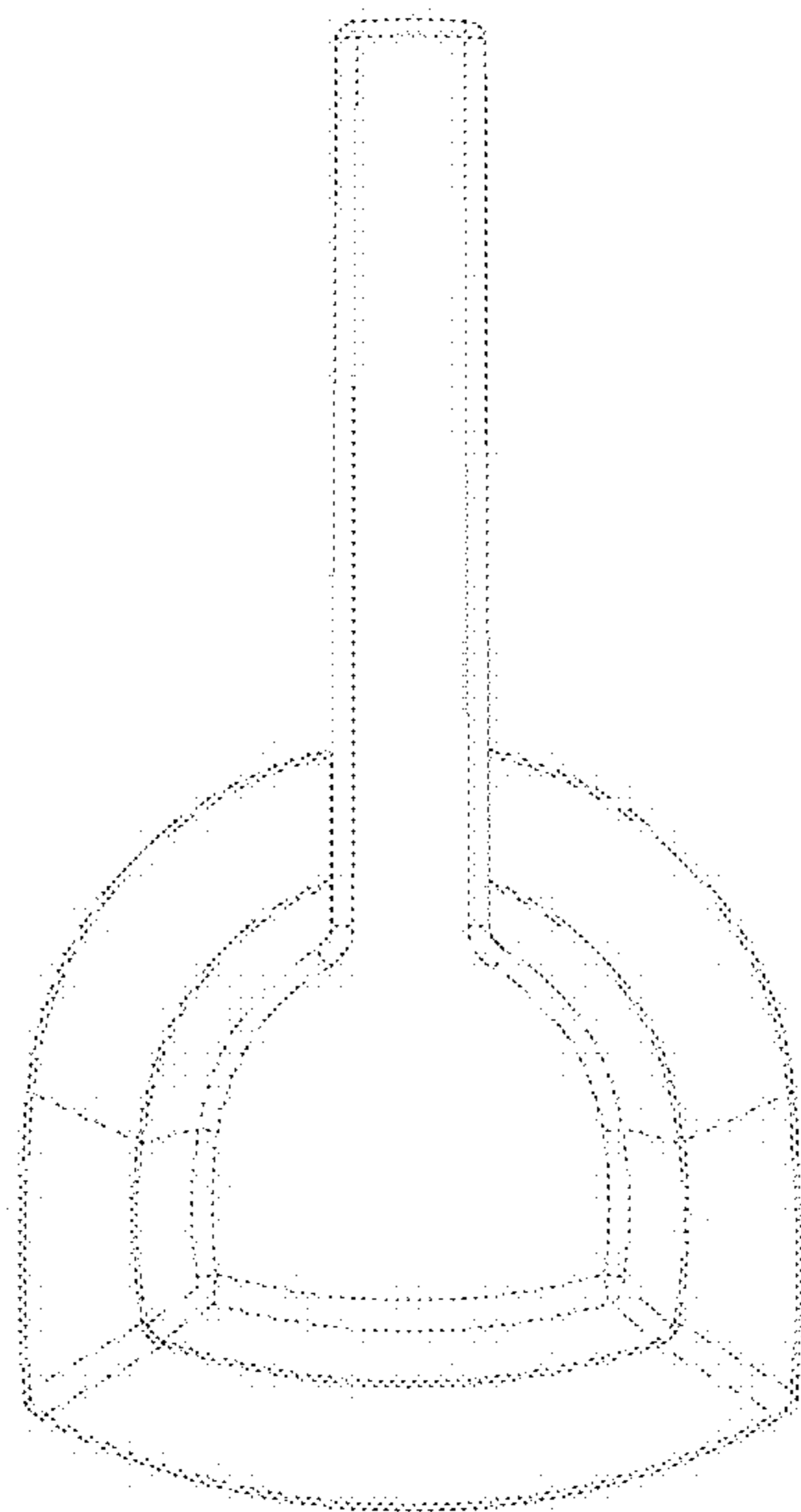


FIG. 4