



US00D921845S

(12) **United States Design Patent**
Renner et al.

(10) **Patent No.:** **US D921,845 S**

(45) **Date of Patent:** **** Jun. 8, 2021**

(54) **VALVE ACTUATOR**

(71) Applicant: **GEMUE Gebr. Mueller Apparatebau GmbH & Co. Kommanditgesellschaft**, Ingelfingen (DE)

(72) Inventors: **Maximilian Renner**, Neudenau (DE); **Gert Mueller**, Kuenzelsau (DE); **Joachim Brien**, Boehmenkirch (DE)

(73) Assignee: **GEMUE GEBR. MUELLER APPARATEBAU GMBH & CO. KOMMANDITGESELLSCHAFT**, Ingelfingen (DE)

(**) Term: **15 Years**

(21) Appl. No.: **29/672,625**

(22) Filed: **Dec. 7, 2018**

(30) **Foreign Application Priority Data**

Jun. 8, 2018 (EM) 005303484

(51) **LOC (13) Cl.** **23-01**

(52) **U.S. Cl.**
USPC **D23/249**

(58) **Field of Classification Search**
USPC D23/233-237, 241-250; 137/487.5, 554, 137/556
CPC . F16K 1/36; F16K 1/42; F16K 31/046; F16K 31/44; F16K 31/00; F16K 31/12
See application file for complete search history.

(56) **References Cited**

U.S. PATENT DOCUMENTS

D318,519 S * 7/1991 Kuivila D23/245
D754,291 S * 4/2016 Mangold D23/233

D754,292 S * 4/2016 Mangold D23/233
D760,353 S * 6/2016 Mangold D23/233
D854,124 S * 7/2019 Mangold D23/233
D861,131 S * 9/2019 Mangold D23/233

* cited by examiner

Primary Examiner — Gino Colan

(74) *Attorney, Agent, or Firm* — Leydig, Voit & Mayer, Ltd.

(57) **CLAIM**

The ornamental design for a valve actuator, as shown and described.

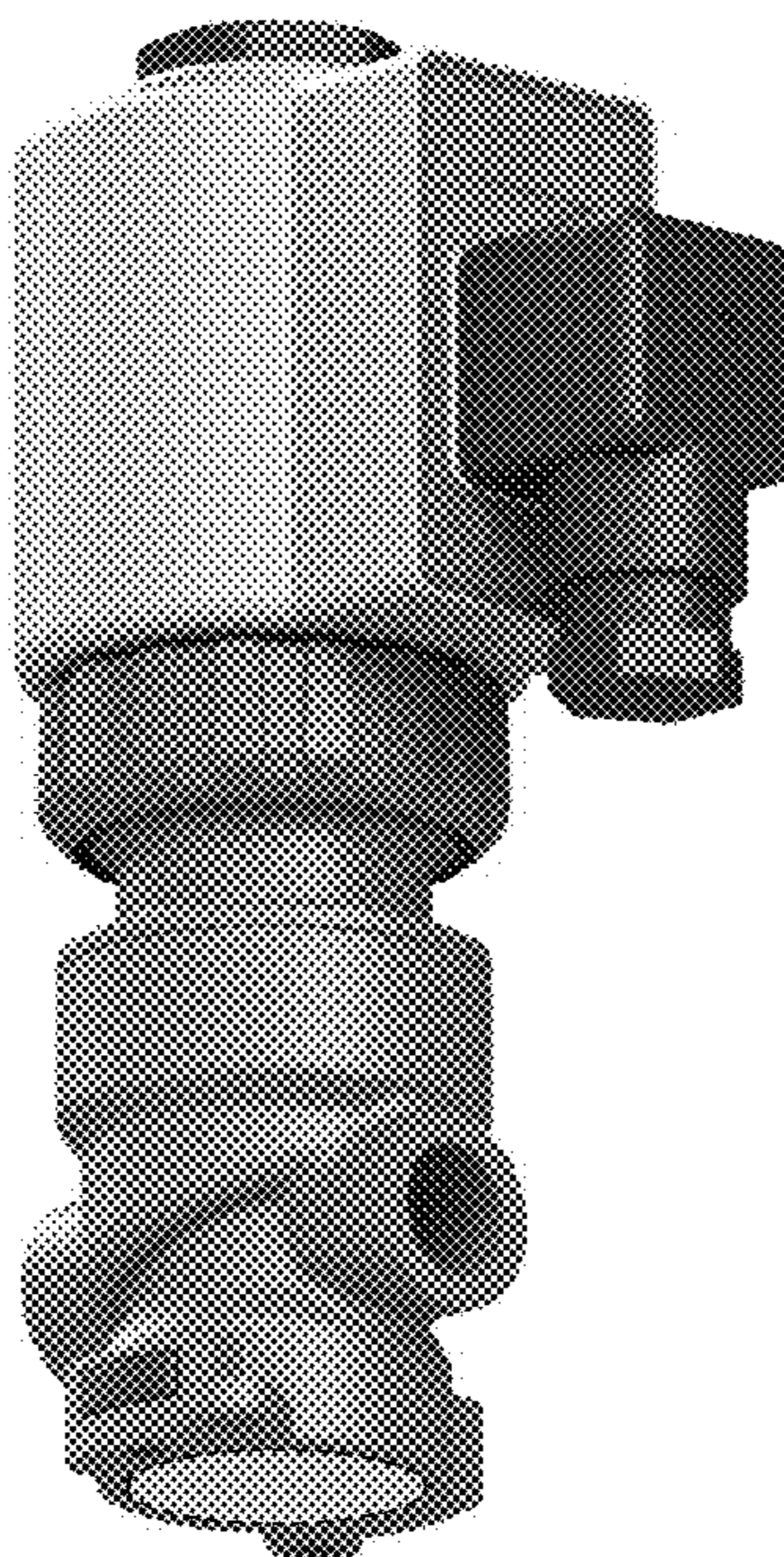
DESCRIPTION

The patent or application file contains at least one drawing executed in color. Copies of this patent or patent application publication with color drawing(s) will be provided by the Office upon request and payment of the necessary fee.

FIG. 1 is a bottom-left-front perspective view of a valve actuator showing our new design;
FIG. 2 is a right side view thereof;
FIG. 3 is a left side view thereof;
FIG. 4 is a front view thereof;
FIG. 5 is a rear view thereof;
FIG. 6 is a top view thereof; and,
FIG. 7 is a bottom view thereof.

The illustrated portions grayed-out and surrounded by broken lines shown in the figures are for the purpose of illustrating portions of the valve actuator and form no part of the claimed design.

1 Claim, 7 Drawing Sheets
(7 of 7 Drawing Sheet(s) Filed in Color)



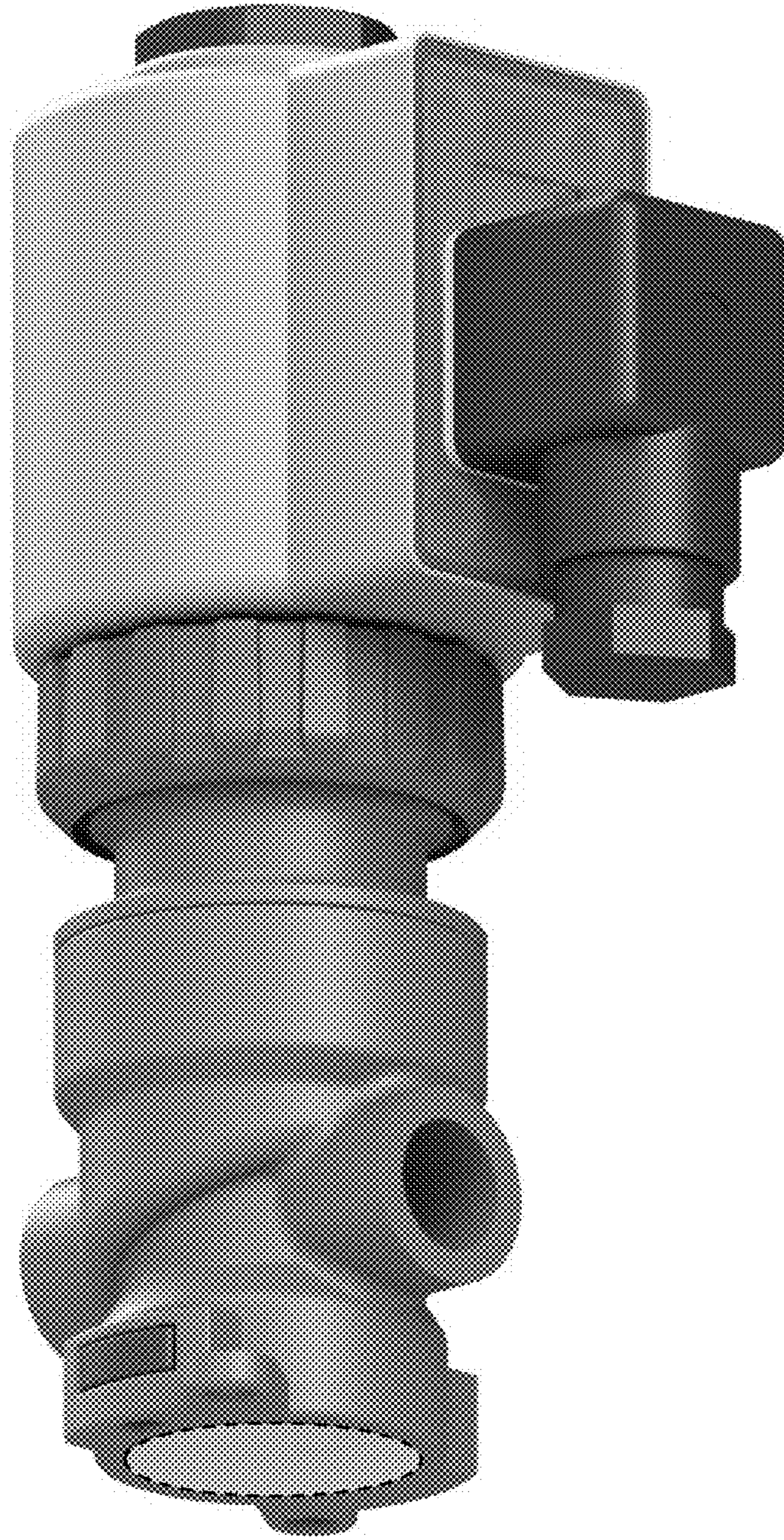


FIG. 1

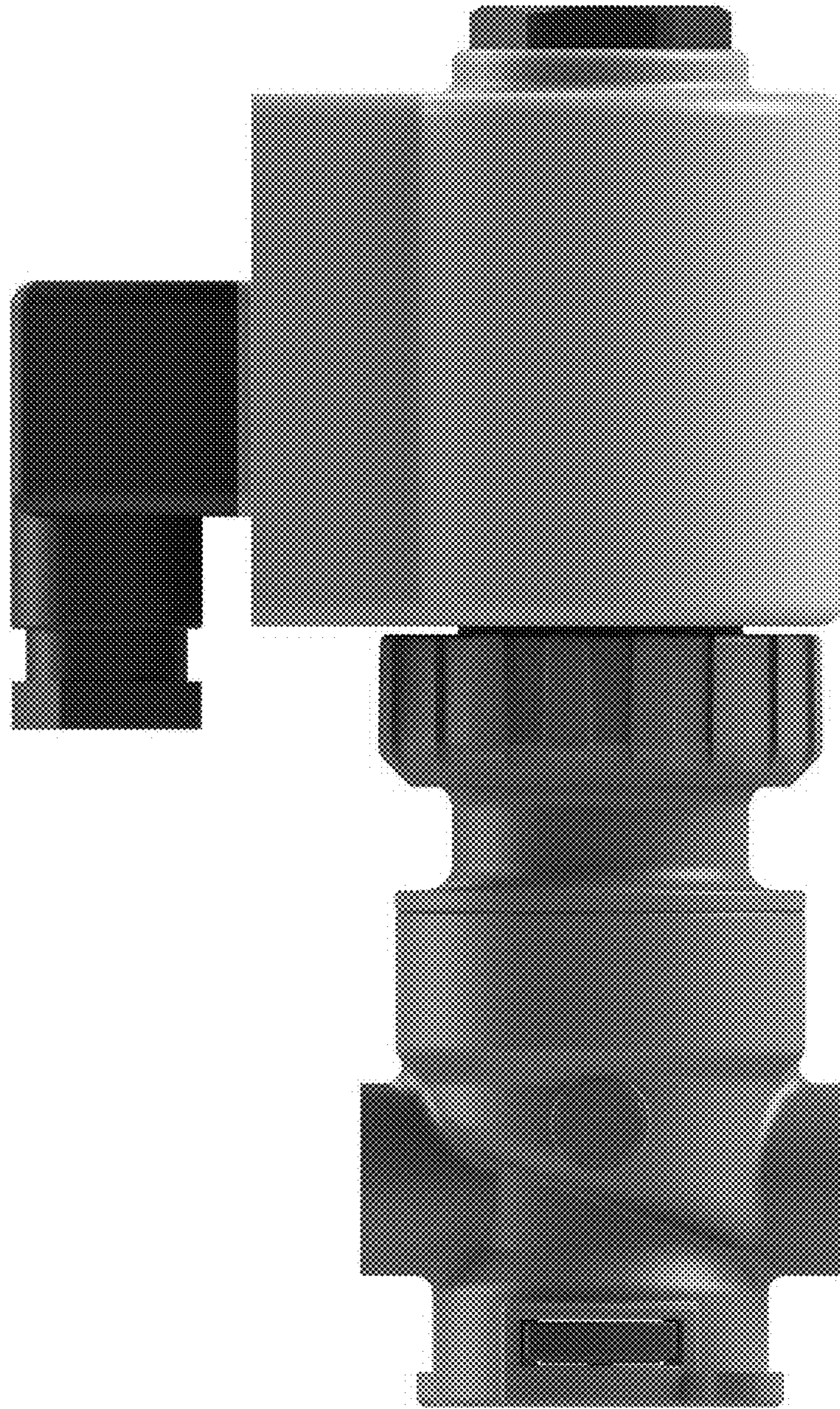


FIG. 2

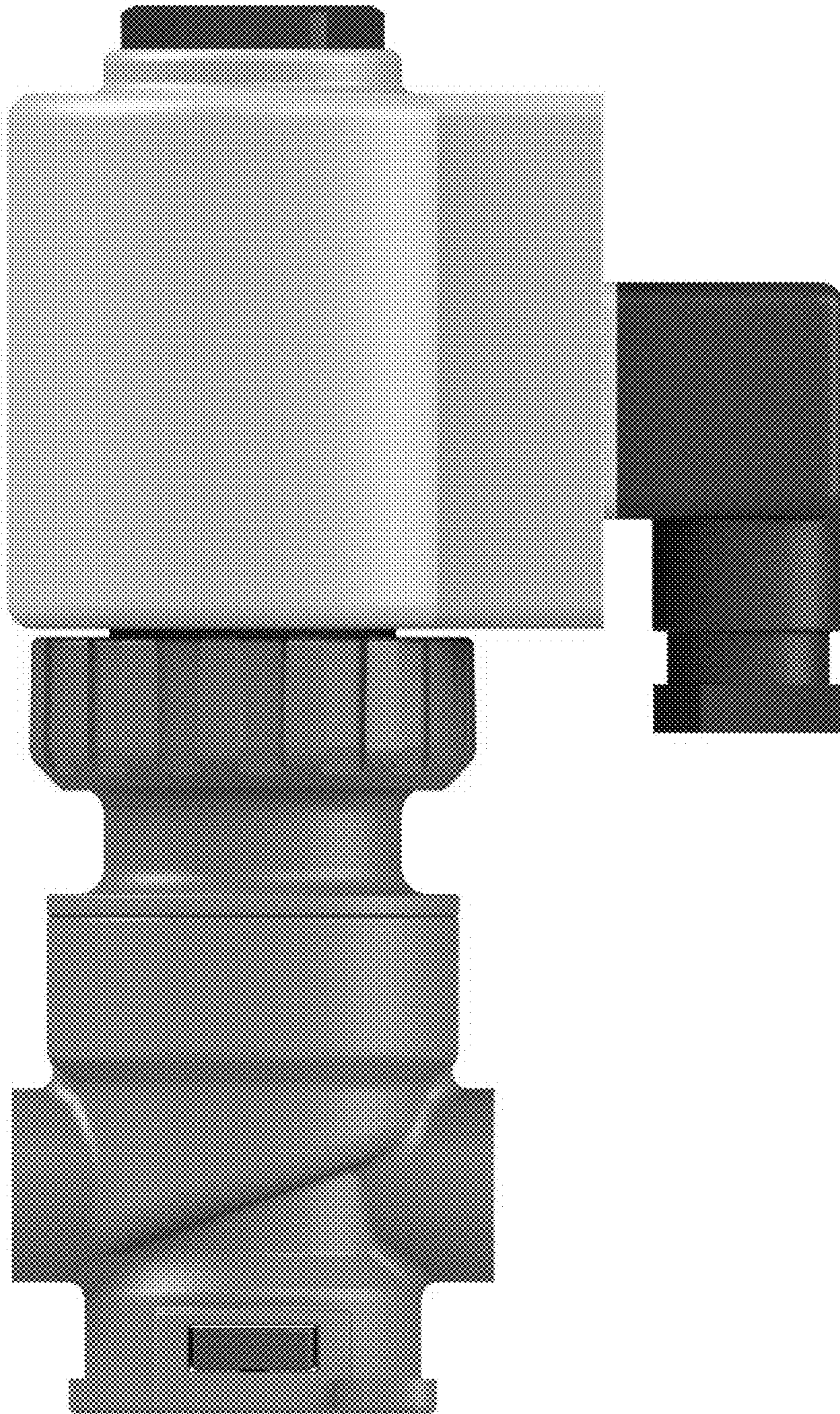


FIG. 3

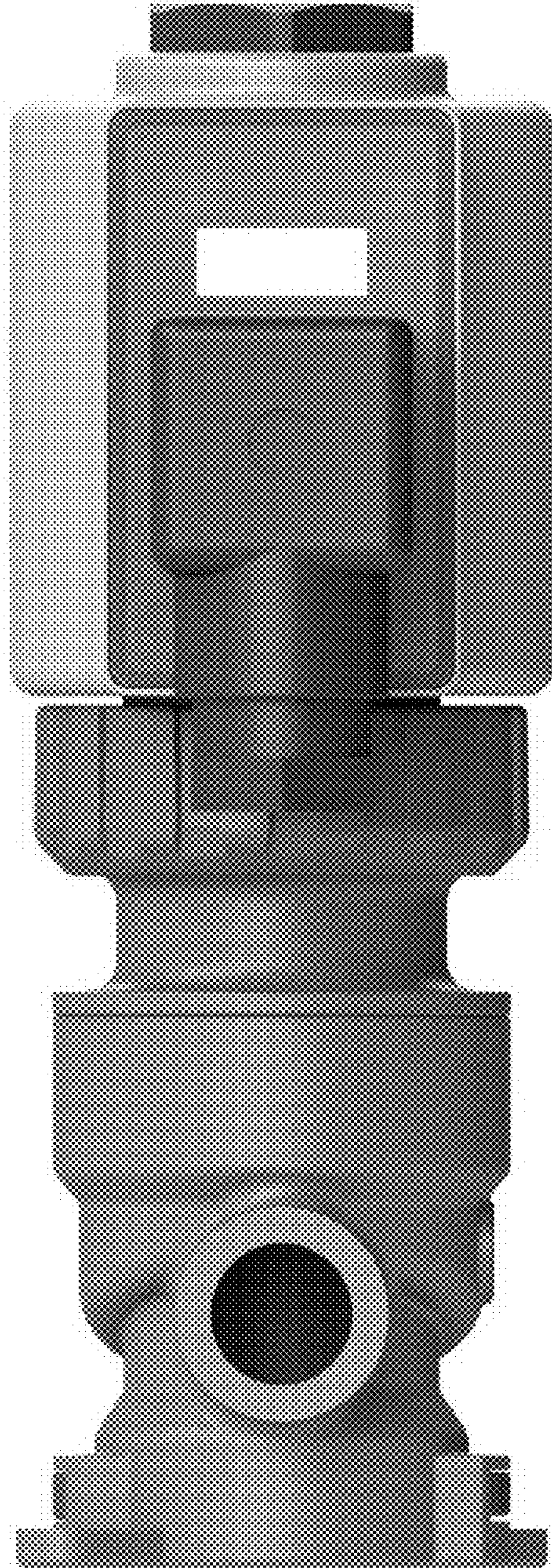


FIG. 4

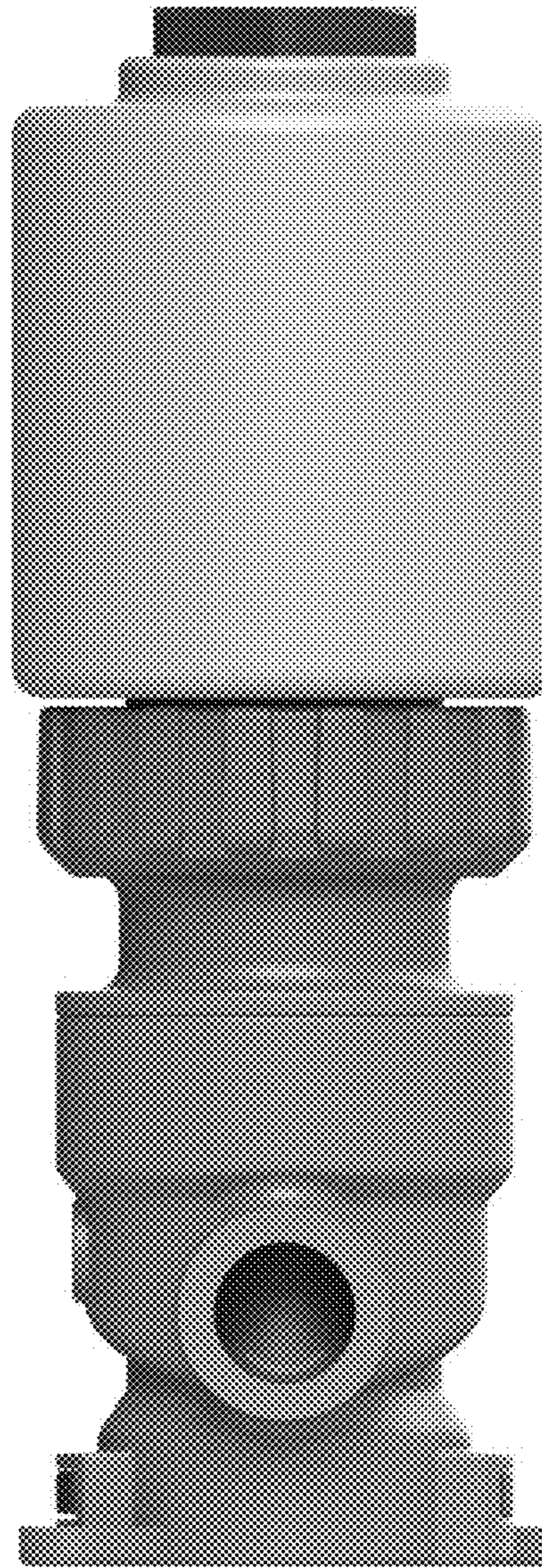


FIG. 5

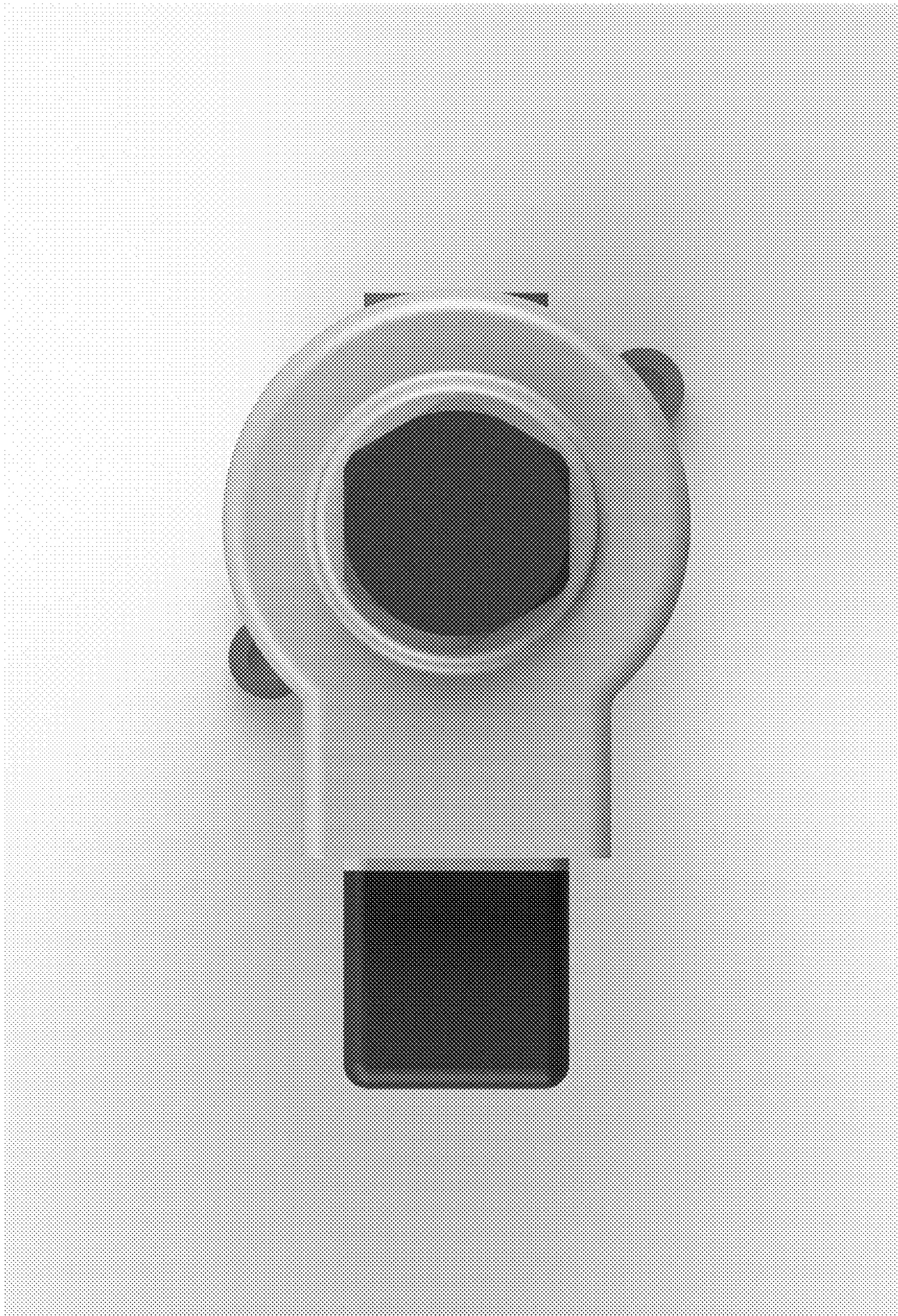


FIG. 6

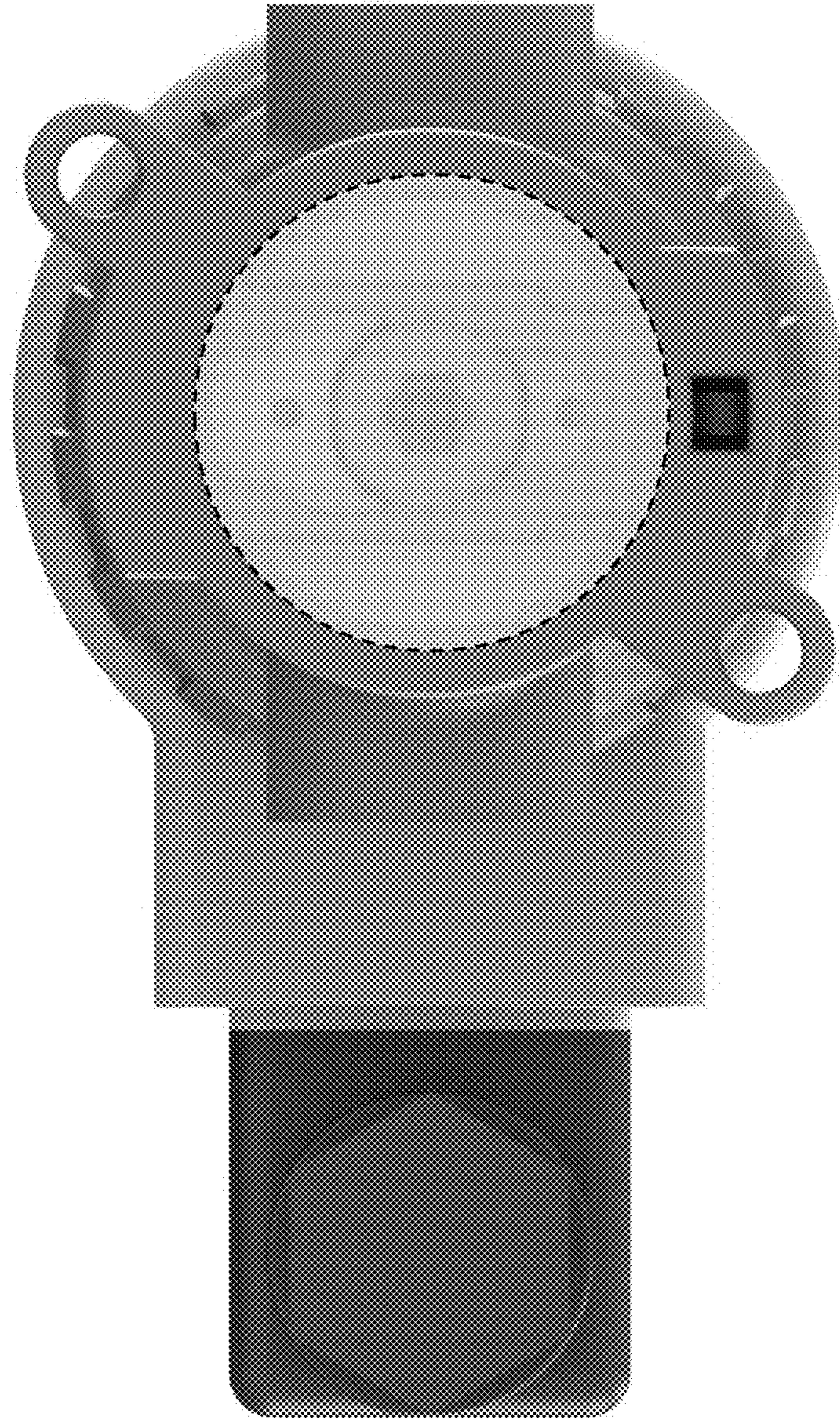


FIG. 7