



US00D921844S

(12) **United States Design Patent** (10) **Patent No.:** **US D921,844 S**
Hui (45) **Date of Patent:** **** Jun. 8, 2021**

(54) **FAUCET PANEL**

FOREIGN PATENT DOCUMENTS

(71) Applicant: **Chen Hui**, Ruian (CN)

CA 107221 * 6/2004

(72) Inventor: **Chen Hui**, Ruian (CN)

OTHER PUBLICATIONS

(**) Term: **15 Years**

Delta Faucet Ashlyn Centerset Bathroom Faucet Chrome, Bathroom Sink Faucet, announced Oct. 23, 2014[online], [site visited Feb. 22, 2021]. Available from internet, URL:<https://www.amazon.com/2-Handle-Centerset-Bathroom-Technology-2564-MPU-DST/dp/B00OTY6SLS> (Year: 2014).*

(21) Appl. No.: **29/721,582**

* cited by examiner

(22) Filed: **Jan. 22, 2020**

(51) **LOC (13) Cl.** **23-01**

Primary Examiner — Barbara Fox

(52) **U.S. Cl.**

Assistant Examiner — Jamaal Rasheed

USPC **D23/242**

(74) *Attorney, Agent, or Firm* — Rumit Ranjit Kanakia

(58) **Field of Classification Search**

(57) **CLAIM**

USPC D23/238–244, 252, 254–255, 257;
D8/307–308

I claim the ornamental design for a faucet panel, as shown and described.

CPC F16K 31/602; F16K 31/605; F16K 31/607;
E03C 1/0412

DESCRIPTION

See application file for complete search history.

FIG. 1 is a Perspective view of a faucet panel showing my new design;

(56) **References Cited**

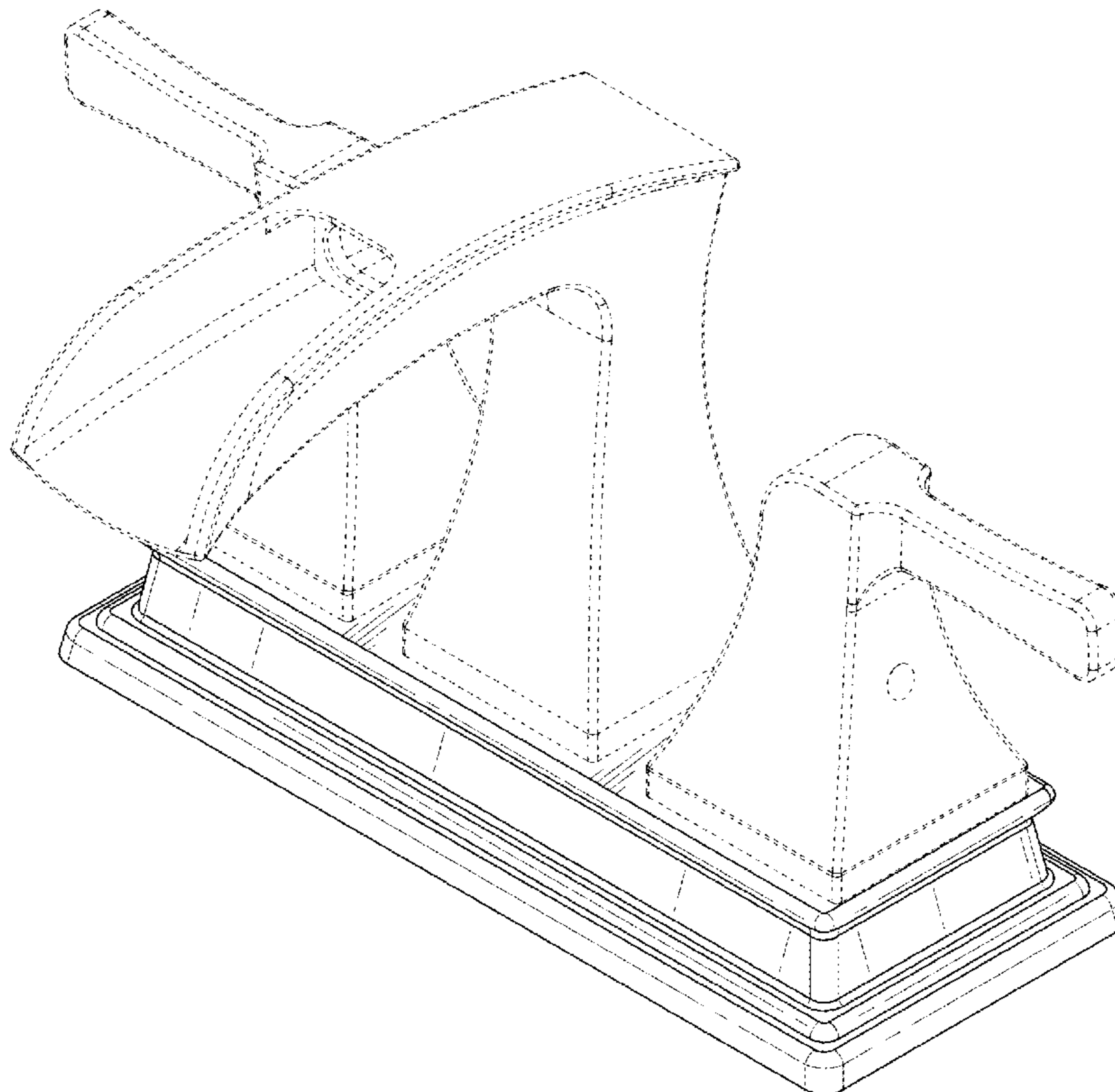
U.S. PATENT DOCUMENTS

D429,316 S	*	8/2000	McKeone	D23/238
D461,527 S	*	8/2002	Ko	D23/241
D477,656 S	*	7/2003	Svensen	D23/249
D511,371 S	*	11/2005	Chen	D23/241
D520,116 S	*	5/2006	Koury	D23/241
D521,114 S	*	5/2006	Kennard	D23/249
D522,094 S	*	5/2006	Koury	D23/249

FIG. 2 is a Front view thereof;
FIG. 3 is a Back view thereof;
FIG. 4 is a Right-side view thereof;
FIG. 5 is a Left-side view thereof;
FIG. 6 is a Top view thereof; and,
FIG. 7 is a Bottom view thereof.

The broken lines are only for environmental purposes and form no part of the claimed design.

1 Claim, 7 Drawing Sheets



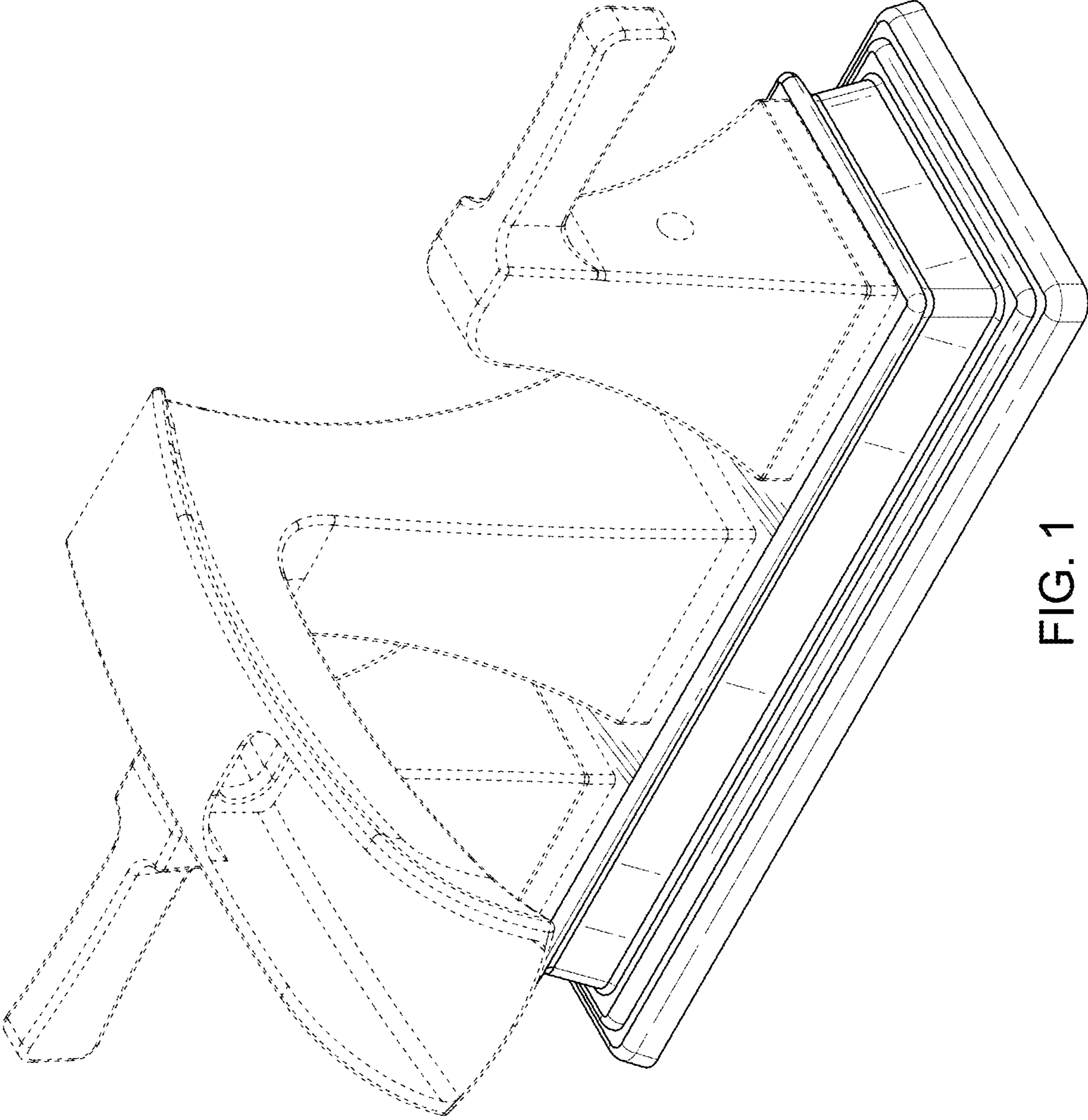


FIG. 1

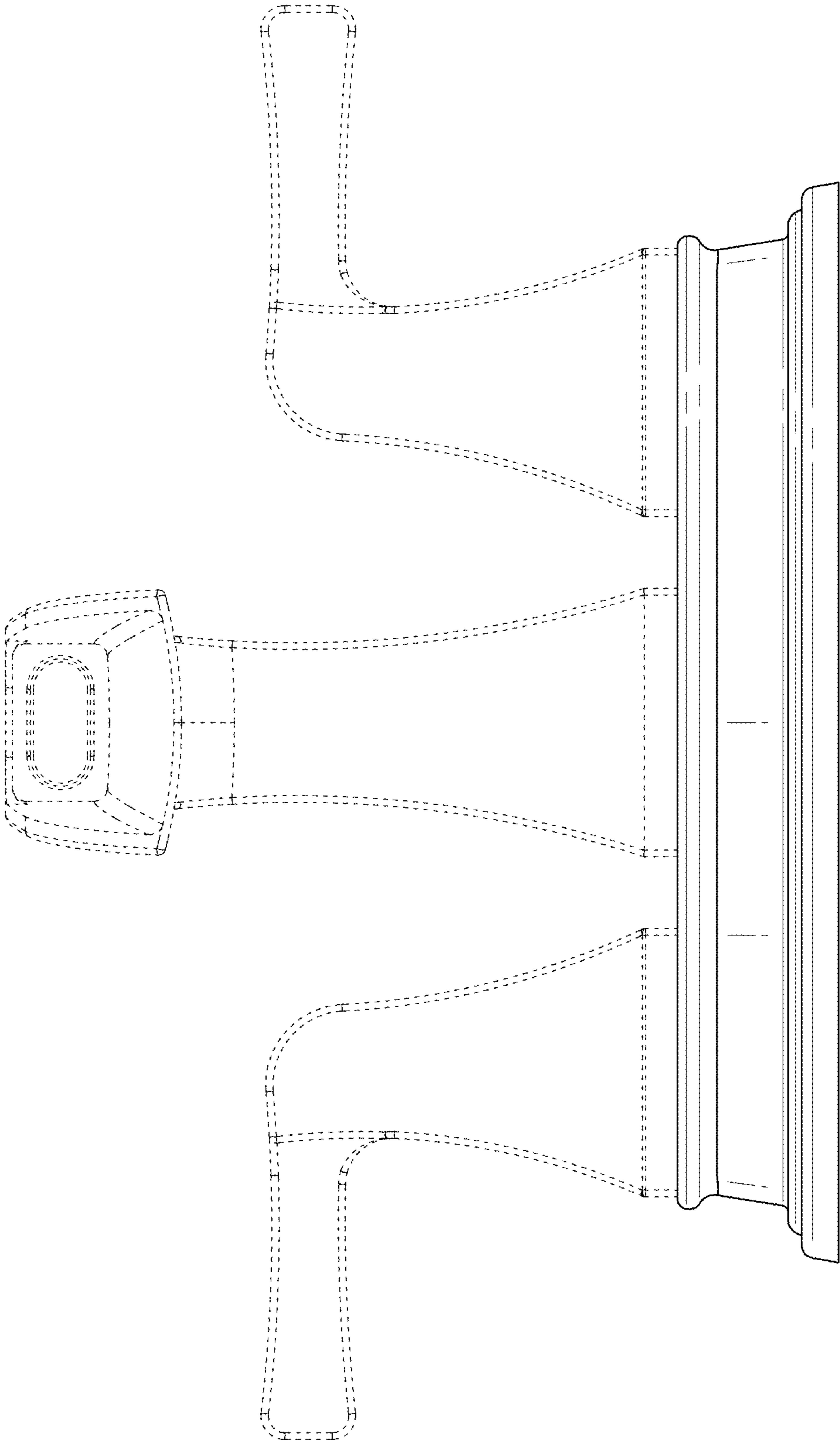


FIG. 2

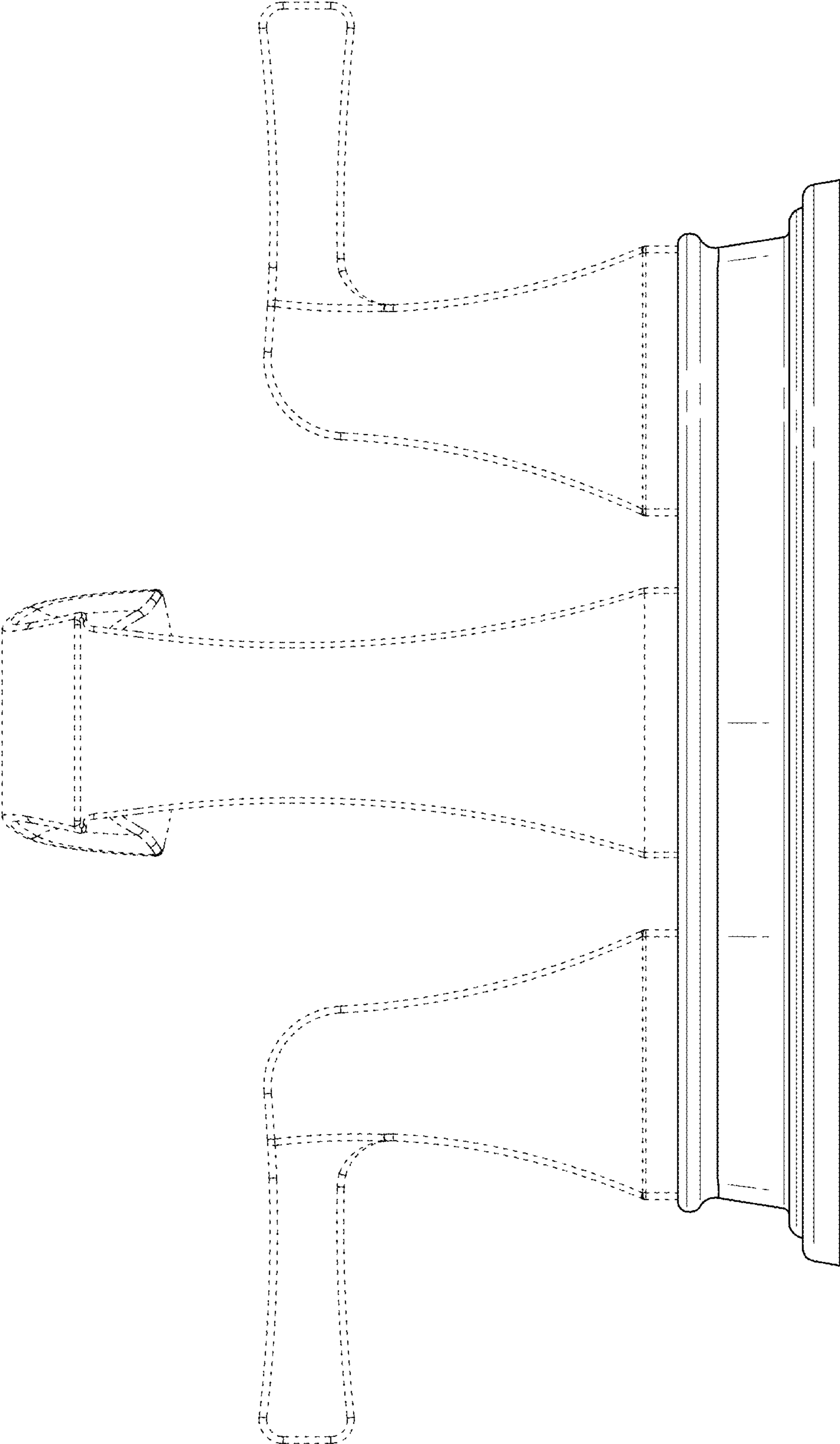


FIG. 3

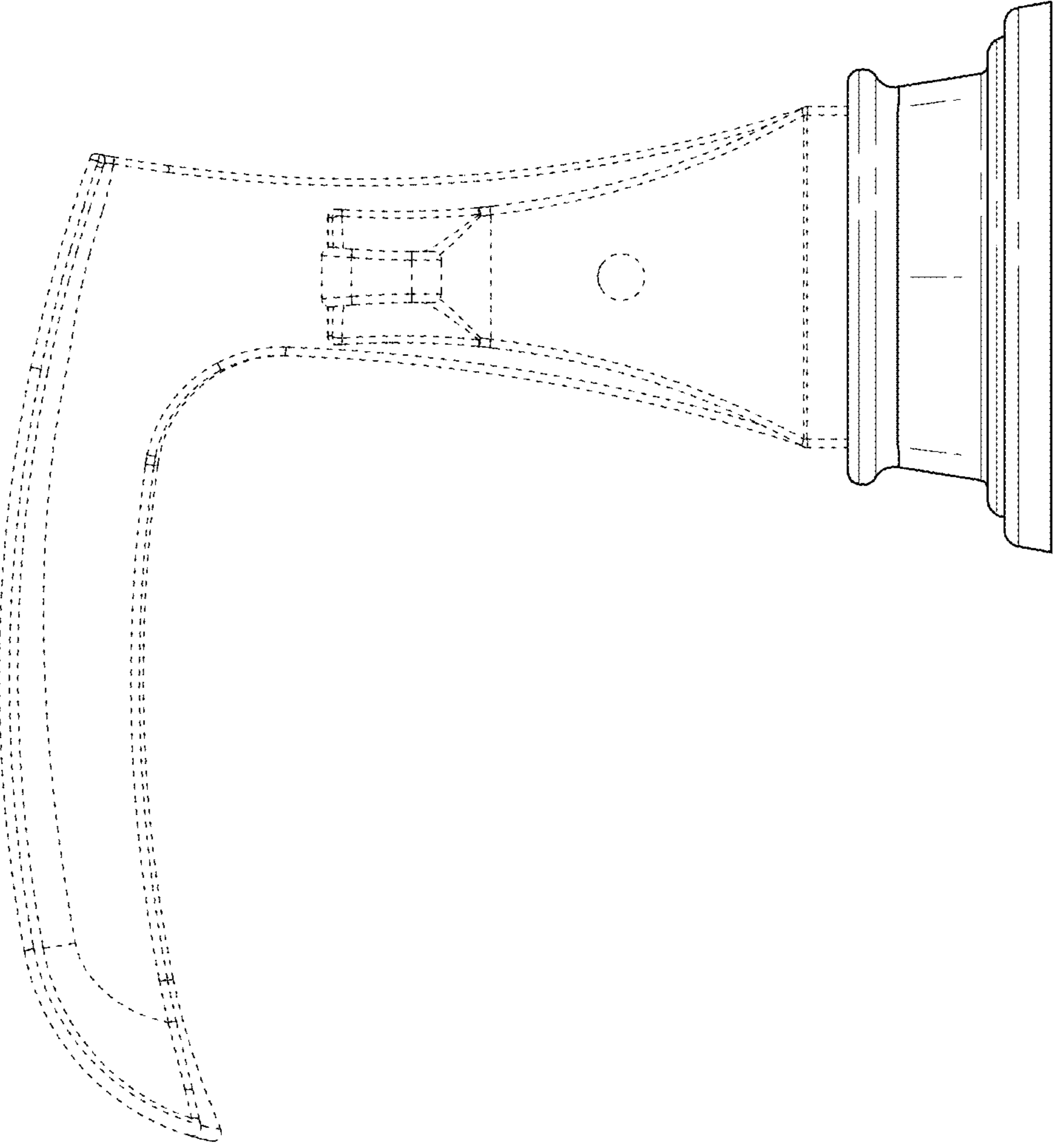


FIG. 4

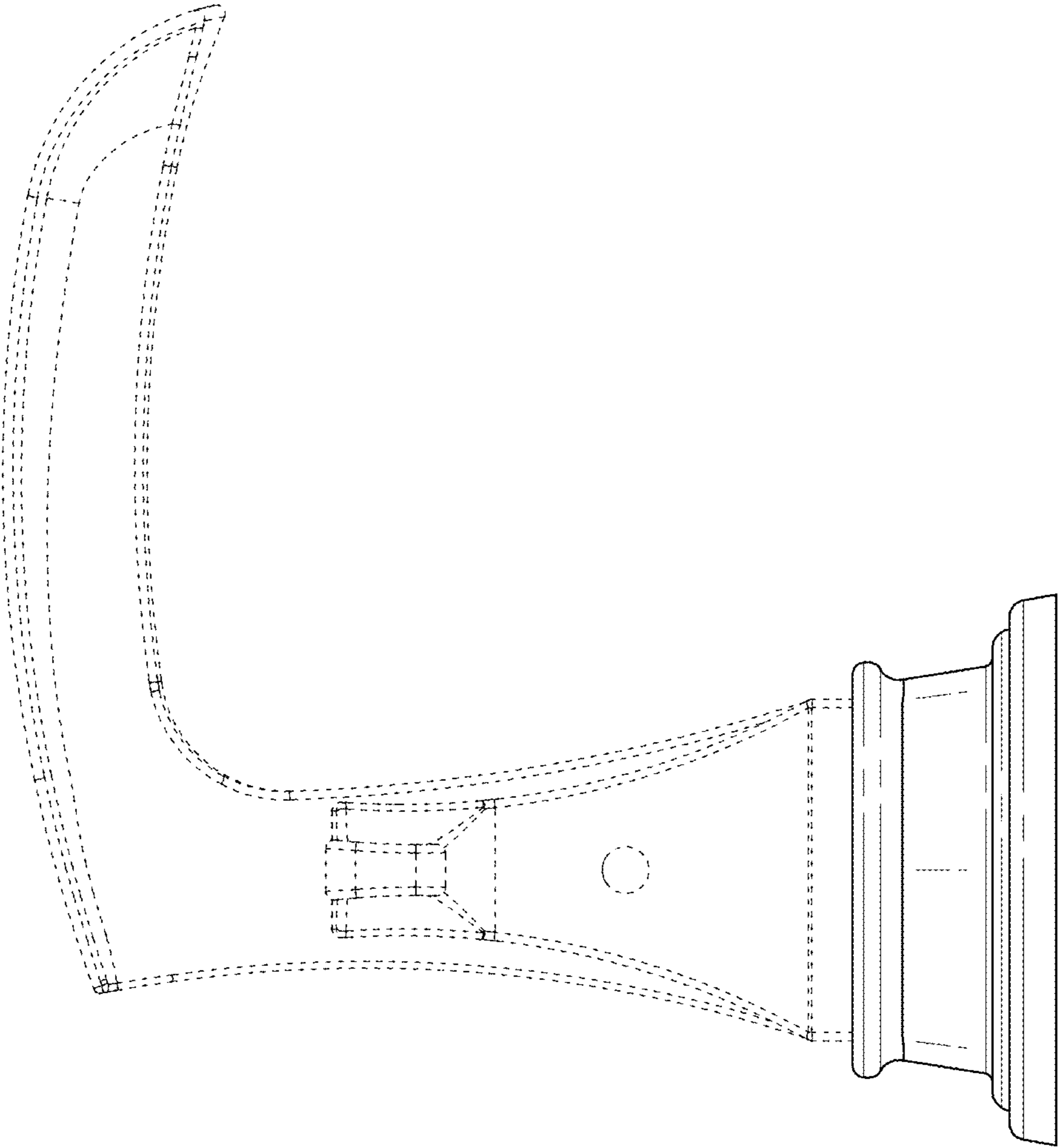


FIG. 5

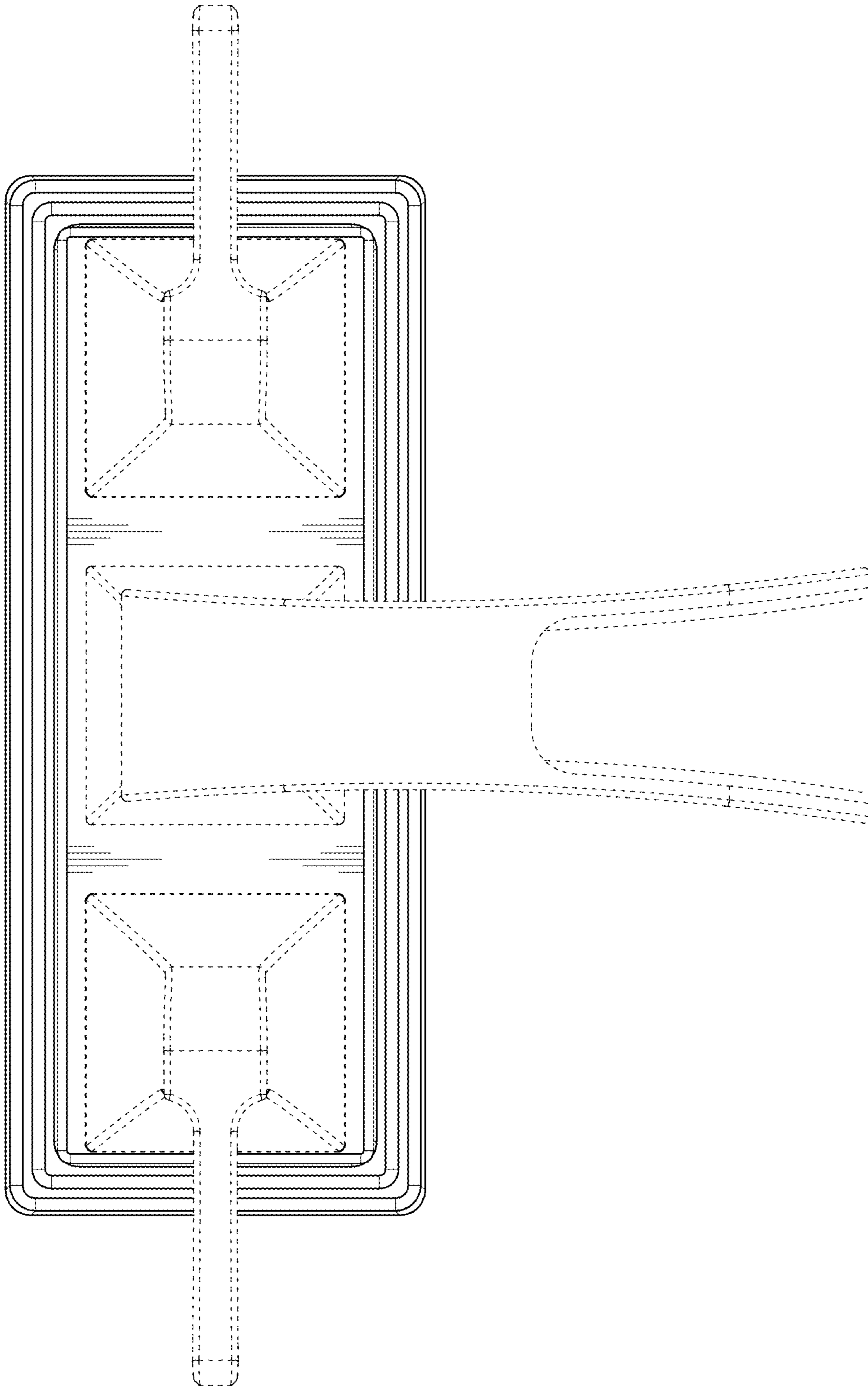


FIG. 6

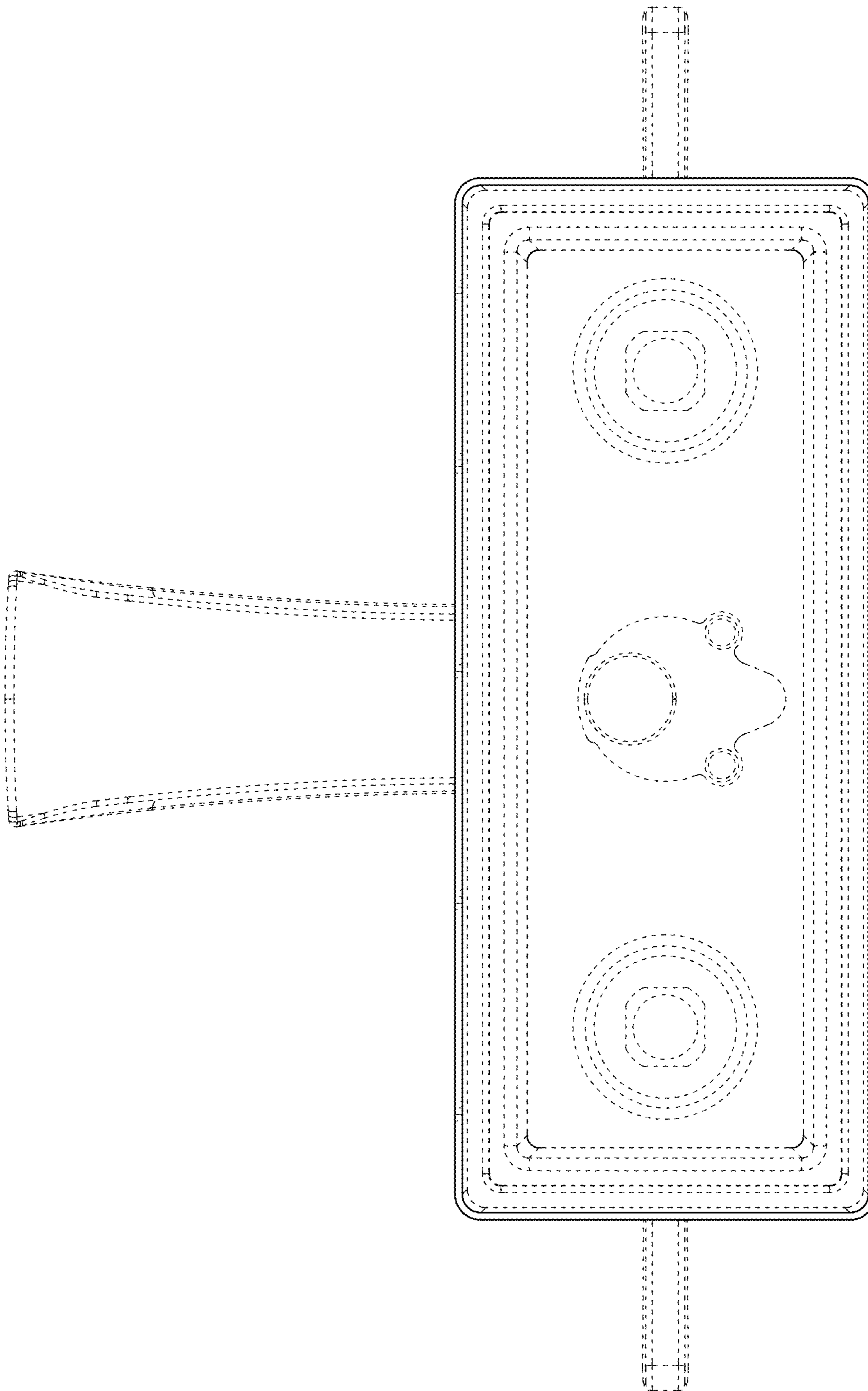


FIG. 7