



US00D921843S

(12) **United States Design Patent** (10) **Patent No.:** **US D921,843 S**
Eads (45) **Date of Patent:** **** Jun. 8, 2021**

(54) **FAUCET**
(71) Applicant: **DELTA FAUCET COMPANY,**
Indianapolis, IN (US)
(72) Inventor: **Thad Eads,** Urbana, IN (US)
(73) Assignee: **DELTA FAUCET COMPANY,**
Indianapolis, IN (US)
(**) Term: **15 Years**
(21) Appl. No.: **29/723,175**
(22) Filed: **Feb. 5, 2020**
(51) **LOC (13) Cl.** **23-01**
(52) **U.S. Cl.**
USPC **D23/238**
(58) **Field of Classification Search**
USPC D23/238-244, 252, 254-255, 257;
D8/307-308
CPC F16K 31/602; F16K 31/605; F16K 31/607;
E03C 1/0412
See application file for complete search history.

D871,547 S * 12/2019 Eads D23/238
D871,548 S * 12/2019 Tentler D23/238
D872,235 S * 1/2020 Garland D23/238
D873,379 S * 1/2020 Fritz D23/238
D873,380 S * 1/2020 Judge D23/238
D873,960 S * 1/2020 Fritz D23/238

(Continued)

FOREIGN PATENT DOCUMENTS

CN 304542621 * 2/2018

OTHER PUBLICATIONS

American Standard 7074300.002 Colony Pro Single-Handle Kitchen
Faucet, announced Feb. 23, 2017[online], [site visited Feb. 10, 2021
]. Available from internet, URL:<<https://www.amazon.com/American-Standard-7074300-002-Single-Handle-Pull-Down/dp/B06XBS4PMJ>> (Year: 2017).*

(Continued)

Primary Examiner — Barbara Fox
Assistant Examiner — Jamaal Rasheed
(74) *Attorney, Agent, or Firm* — Nirav D. Parikh; Edgar
A. Zarins

(56) **References Cited**

U.S. PATENT DOCUMENTS

D521,109 S * 5/2006 Lord D23/238
D683,825 S * 6/2013 Sofield D23/255
D689,595 S * 9/2013 Georgeson D23/238
D691,708 S * 10/2013 Georgeson D23/255
D705,399 S * 5/2014 Flowers D23/238
D797,902 S * 9/2017 Georgeson D23/255
D828,508 S * 9/2018 Fritz D23/238
D840,509 S * 2/2019 Garland D23/238
D842,429 S * 3/2019 Huang D23/213
D842,430 S * 3/2019 Huang D23/213
D849,201 S * 5/2019 Zhang D23/238
D867,532 S * 11/2019 Liao D23/238
D868,211 S * 11/2019 Garland D23/238
D870,851 S * 12/2019 Tentler D23/238
D870,852 S * 12/2019 Eads D23/238
D871,546 S * 12/2019 Bahler D23/238

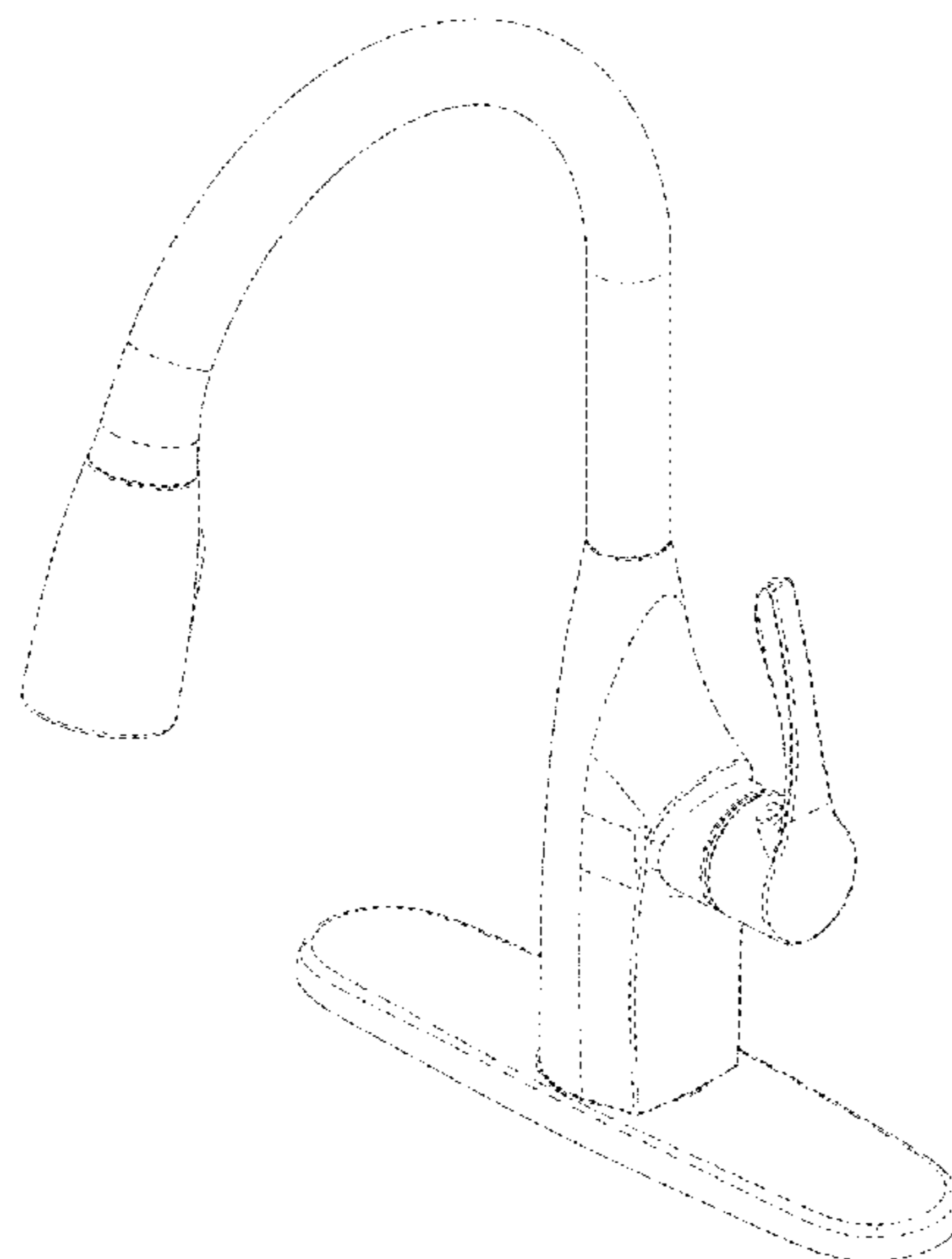
(57) **CLAIM**

The ornamental design for a faucet, as shown and described.

DESCRIPTION

FIG. 1 is a front perspective view of a faucet showing my
new design;
FIG. 2 is a rear perspective view thereof;
FIG. 3 is a front elevational view thereof;
FIG. 4 is a left side view thereof;
FIG. 5 is a rear view thereof;
FIG. 6 is a right side view thereof;
FIG. 7 is a top plan view thereof; and,
FIG. 8 is a bottom view thereof.

1 Claim, 4 Drawing Sheets



(56)

References Cited

U.S. PATENT DOCUMENTS

D874,613 S * 2/2020 Park D23/238
D879,914 S * 3/2020 Lazarini D23/238
D883,435 S * 5/2020 Lu D23/238
D895,068 S * 9/2020 Johnson D23/238
2019/0040611 A1 * 2/2019 Zhu E03C 1/0404
2019/0085538 A1 * 3/2019 Chang F16K 5/08
2020/0063407 A1 * 2/2020 Zhu E03C 1/0404

OTHER PUBLICATIONS

Kohler 22034-CP Simplice Kitchen Sink Faucet, announced Feb. 9, 2018[online], [site visited Feb. 10, 2021], Available from internet, URL:<<https://www.amazon.com/K-22034-CP-Single-Handle-Polished-Entertainment-Secondary/dp/B079RWNCQN>> (Year: 2018).*

Kitchen Faucet, Artara, announced Jan. 4, 2020[online], [site visited Feb. 11, 2021], Available from internet, URL:<<https://www.amazon.com/Artara-ART05MB-Single-Handle-Black-Kitchen-Sink-Faucet-Pull-Out-Sprayer/dp/B07ZWNLX7H>> (Year: 2020).*

* cited by examiner

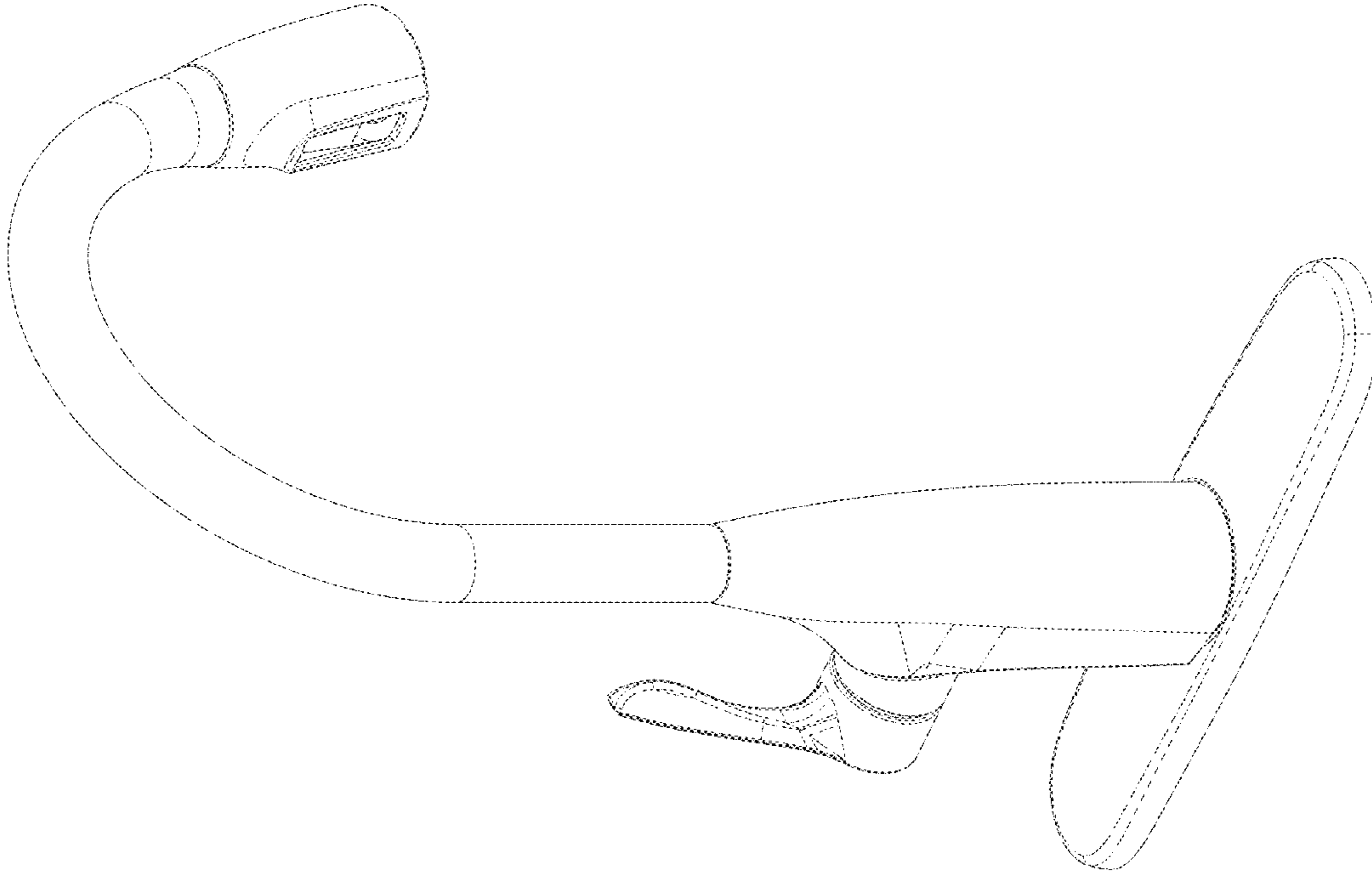


FIG. 1 - 2

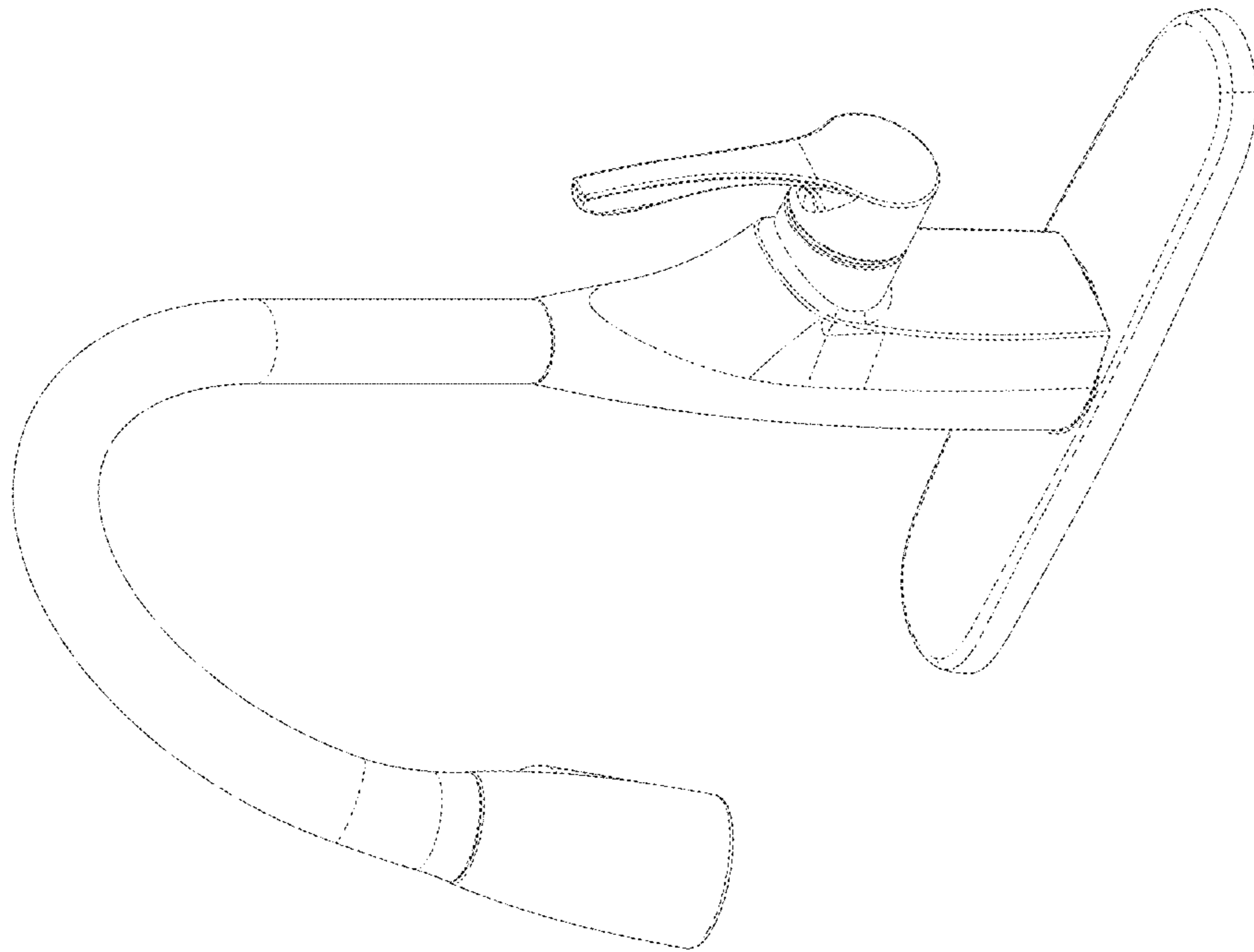


FIG. 1 - 1

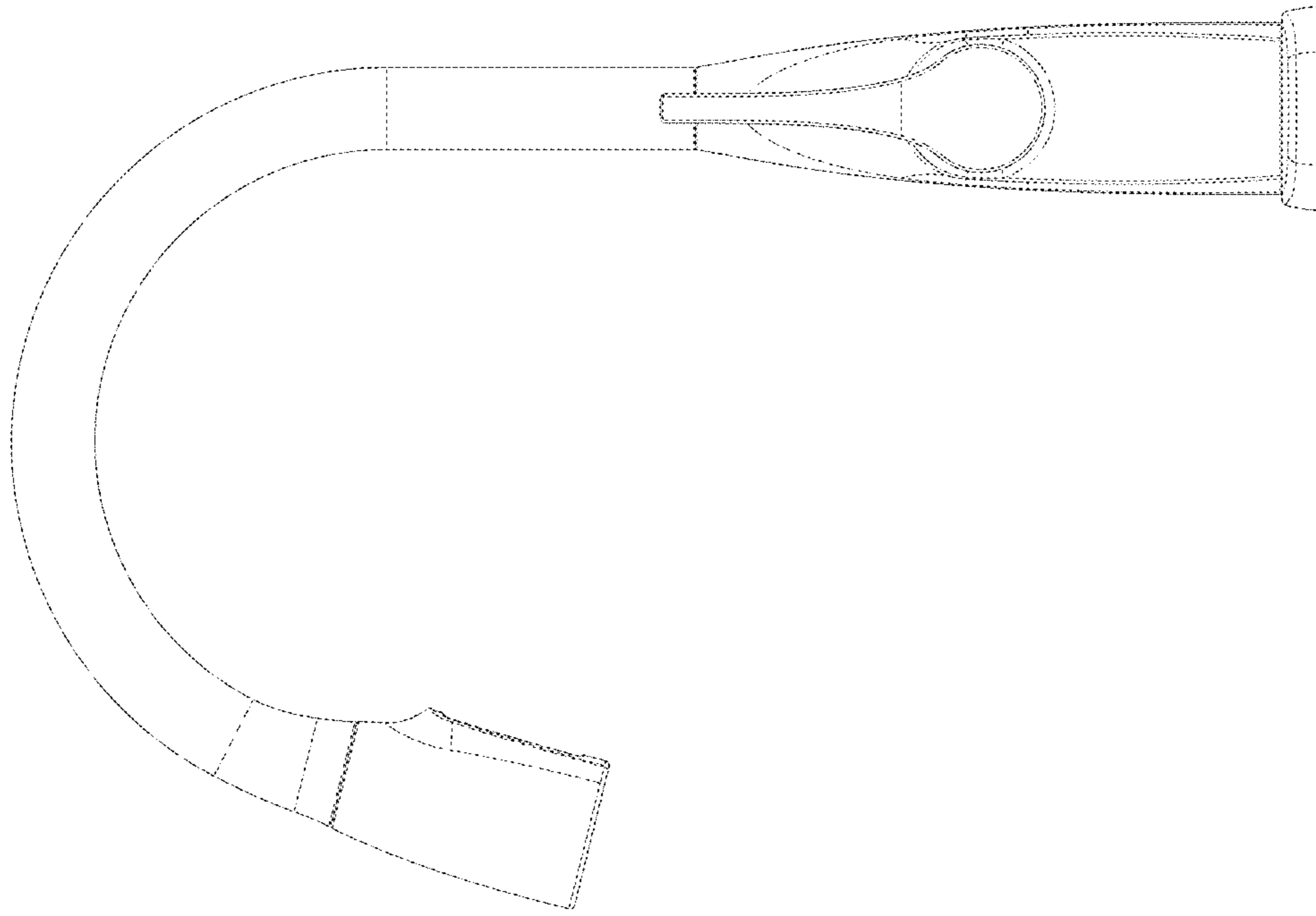


FIG - 4

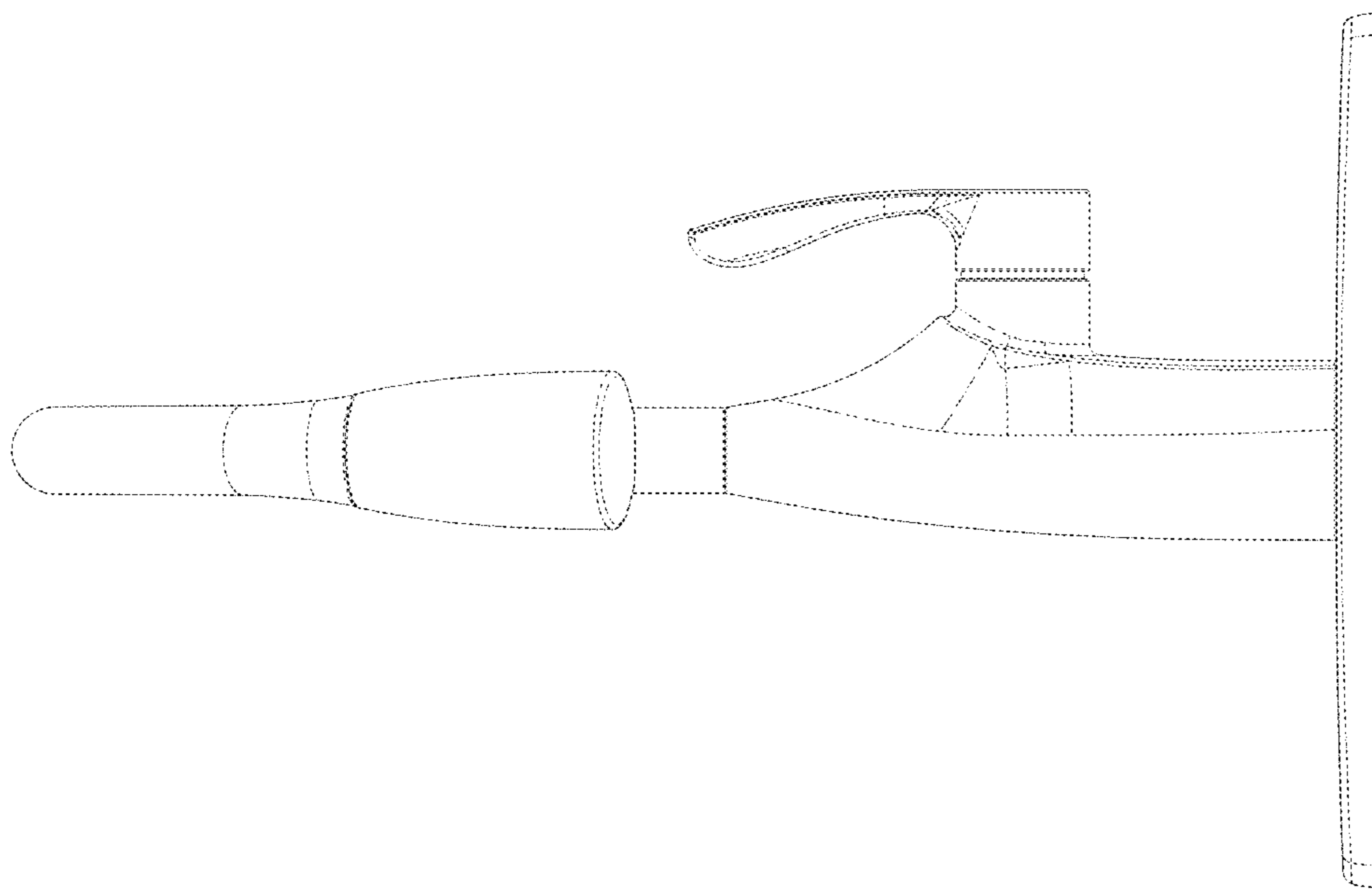


FIG - 3

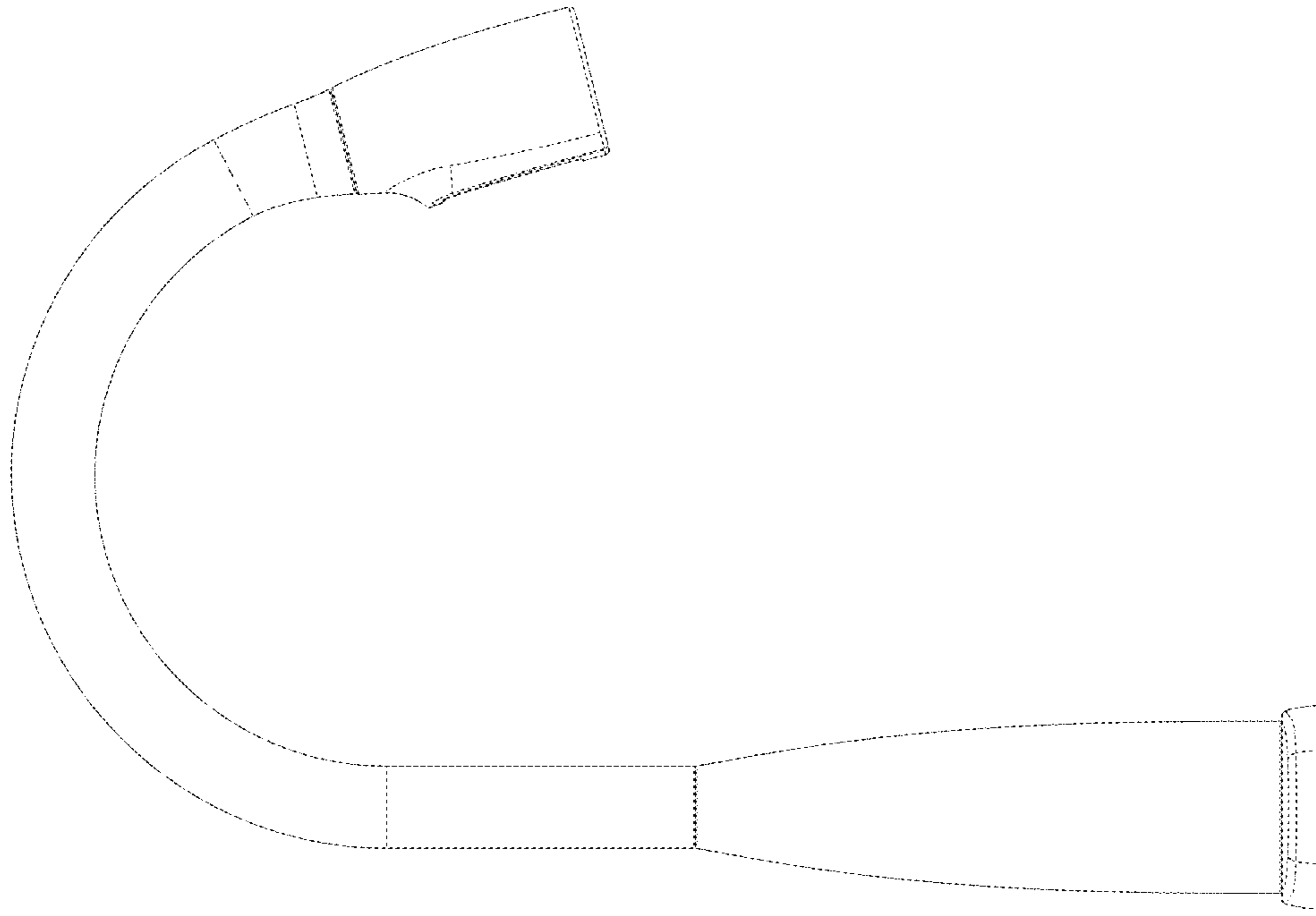


FIG - 6

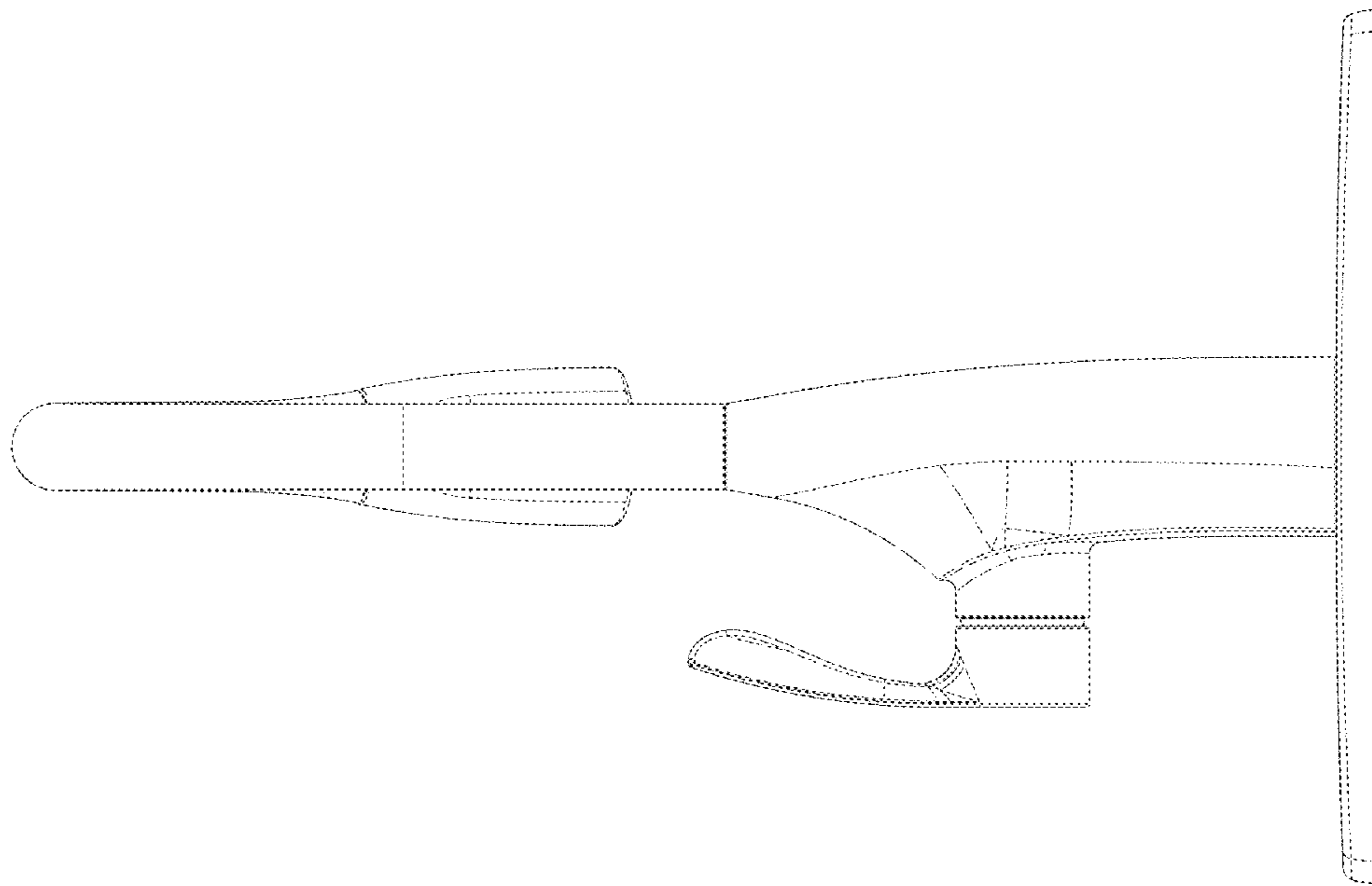


FIG - 5

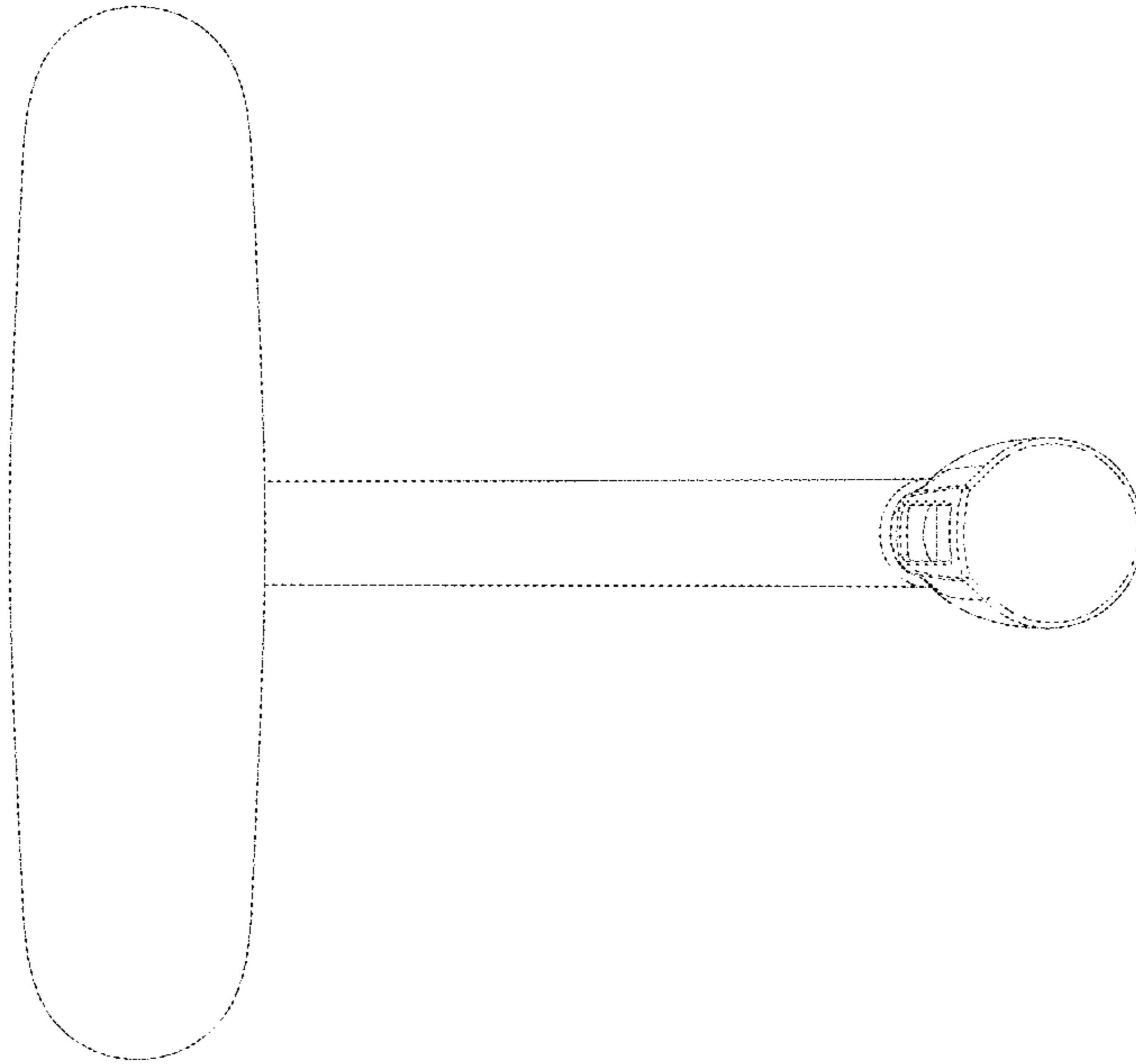


FIG. 8

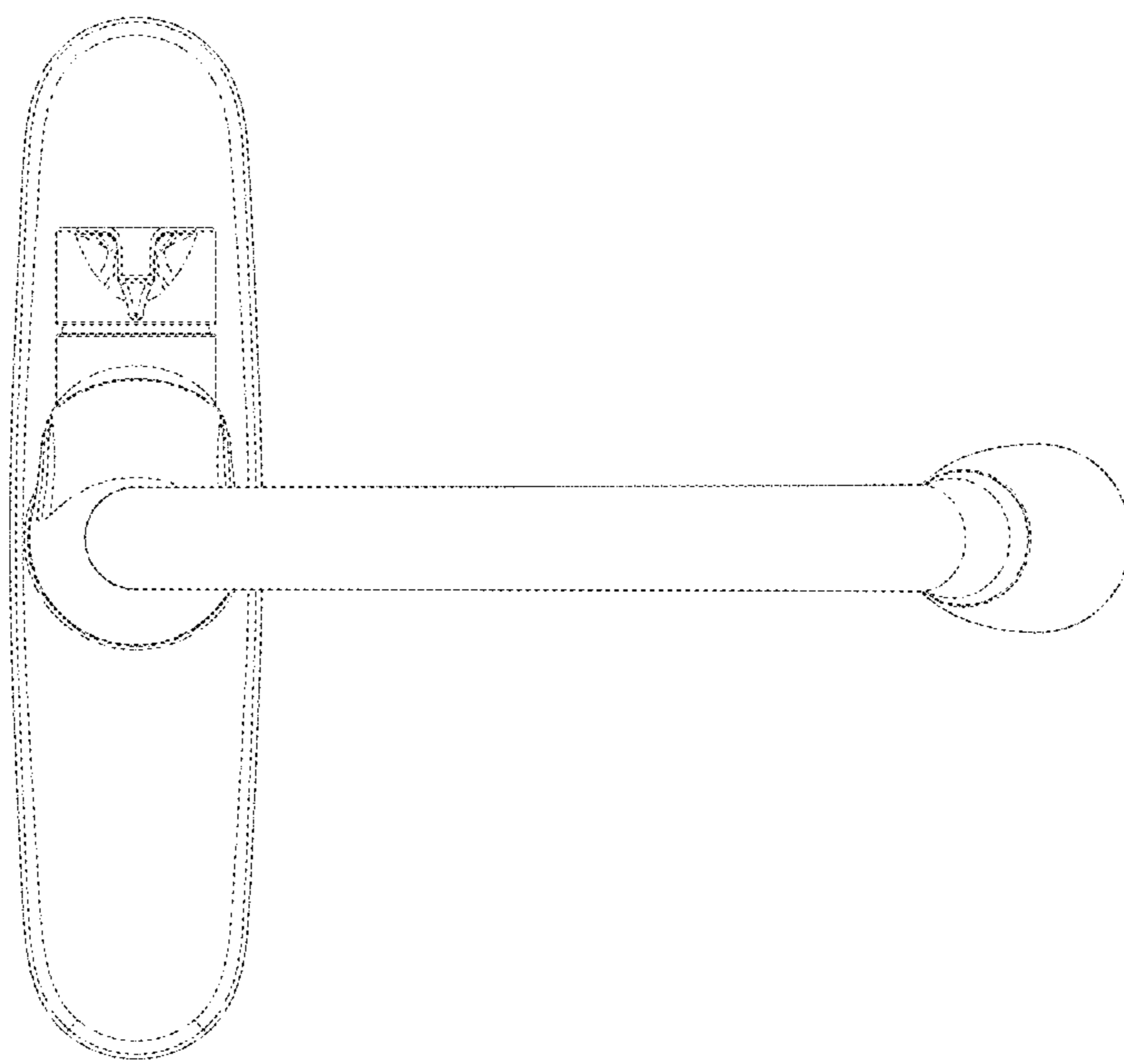


FIG. 7