



US00D921842S

(12) **United States Design Patent**  
**Fritz**

(10) **Patent No.:** **US D921,842 S**  
(45) **Date of Patent:** **\*\* Jun. 8, 2021**

- (54) **FAUCET**
- (71) Applicant: **DELTA FAUCET COMPANY**,  
Indianapolis, IN (US)
- (72) Inventor: **Seth Fritz**, Carmel, IN (US)
- (73) Assignee: **DELTA FAUCET COMPANY**,  
Indianapolis, IN (US)
- (\*\*) Term: **15 Years**
- (21) Appl. No.: **29/710,543**
- (22) Filed: **Oct. 24, 2019**
- (51) **LOC (13) Cl.** ..... **23-01**
- (52) **U.S. Cl.**  
USPC ..... **D23/238**
- (58) **Field of Classification Search**  
USPC ..... D23/238-244, 252, 254-255, 257;  
D8/307-308  
CPC .... F16K 31/602; F16K 31/605; F16K 31/607;  
E03C 1/0412  
See application file for complete search history.

D873,960 S *	1/2020	Fritz	.....	D23/238
D875,215 S *	2/2020	Bahler	.....	D23/238
D875,218 S *	2/2020	Chen	.....	D23/255
D890,302 S *	7/2020	Chen	.....	D23/238

FOREIGN PATENT DOCUMENTS

CN 304817718 \* 8/2018

OTHER PUBLICATIONS

Moen S53004 Weymouth Shepherd's Hook Pulldown Kitchen Bar Faucet Featuring Metal Wand with Power Clean, announced Dec. 17, 2018[online], [site visited Feb. 9, 2021]. Available from internet, URL:<<https://www.amazon.com/Moen-S53004NL-Weymouth-Shepherds-Featuring/dp/B07PZDPK11?th=1>> (Year: 2018).\*

\* cited by examiner

*Primary Examiner* — Barbara Fox  
*Assistant Examiner* — Jamaal Rasheed  
(74) *Attorney, Agent, or Firm* — Nirav D. Pirakh; Edgar A. Zarins

(56) **References Cited**

U.S. PATENT DOCUMENTS

D610,653 S *	2/2010	Schoenherr	.....	D23/238
D807,476 S *	1/2018	Haug	.....	D23/238
D822,170 S *	7/2018	Haug	.....	D23/238
D835,236 S *	12/2018	Ziemann	.....	D23/238
D849,201 S *	5/2019	Zhang	.....	D23/238
D862,651 S *	10/2019	Zeng	.....	D23/238
D867,534 S *	11/2019	Lazarini	.....	D23/238
D868,211 S *	11/2019	Garland	.....	D23/238
D868,938 S *	12/2019	Tentler	.....	D23/238
D868,939 S *	12/2019	Bahler	.....	D23/238
D869,610 S *	12/2019	Garland	.....	D23/238
D872,234 S *	1/2020	Stoler	.....	D23/238
D872,240 S *	1/2020	Bahler	.....	D23/255
D873,380 S *	1/2020	Judge	.....	D23/238

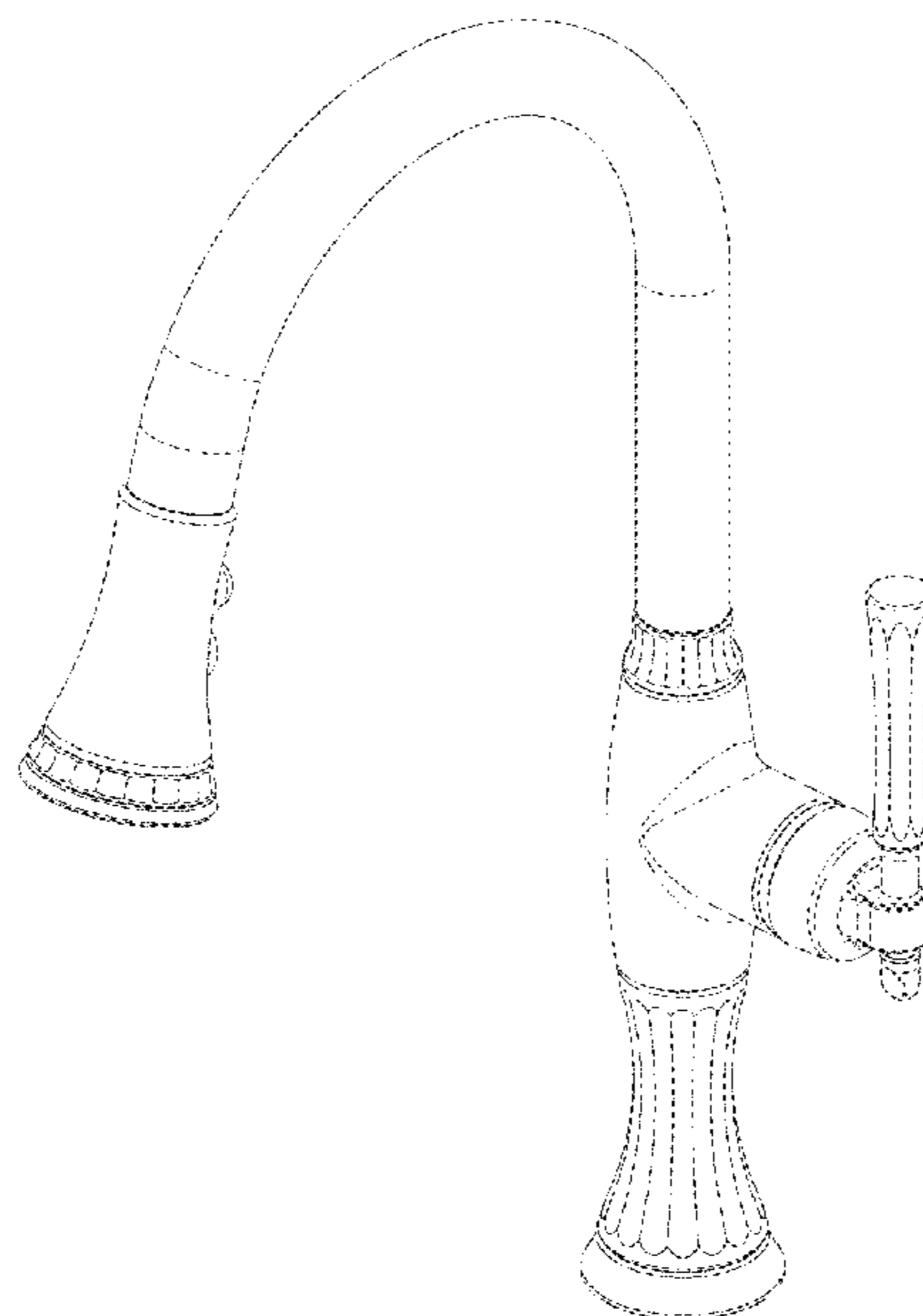
(57) **CLAIM**

The ornamental design for a faucet, as shown and described.

**DESCRIPTION**

FIG. 1 is a front perspective view of a faucet showing my new design;  
FIG. 2 is a rear perspective view thereof;  
FIG. 3 is a front elevational view thereof;  
FIG. 4 is a left side view thereof;  
FIG. 5 is a rear view thereof;  
FIG. 6 is a right side view thereof;  
FIG. 7 is a top plan view thereof; and,  
FIG. 8 is a bottom view thereof.

**1 Claim, 4 Drawing Sheets**



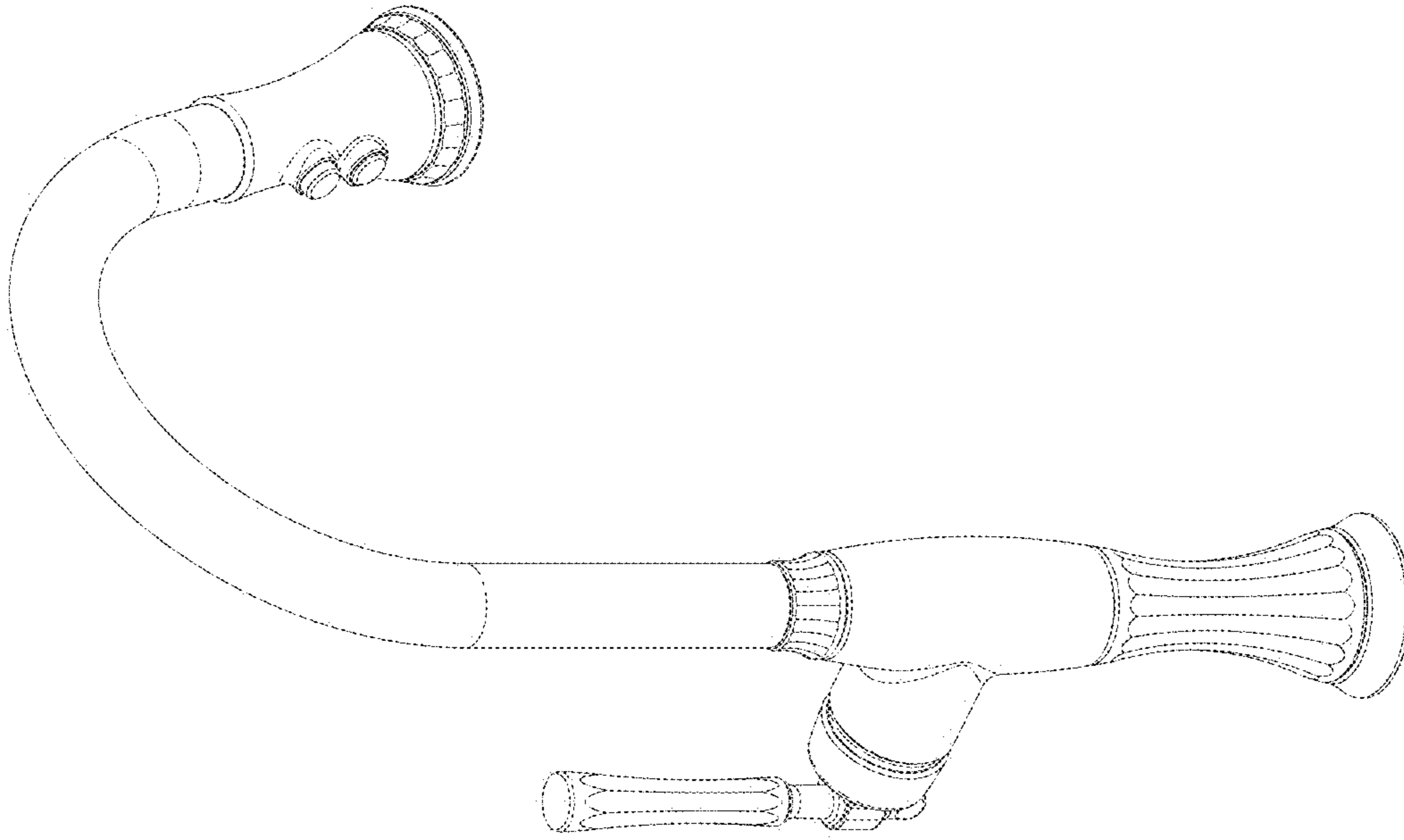


FIG - 2

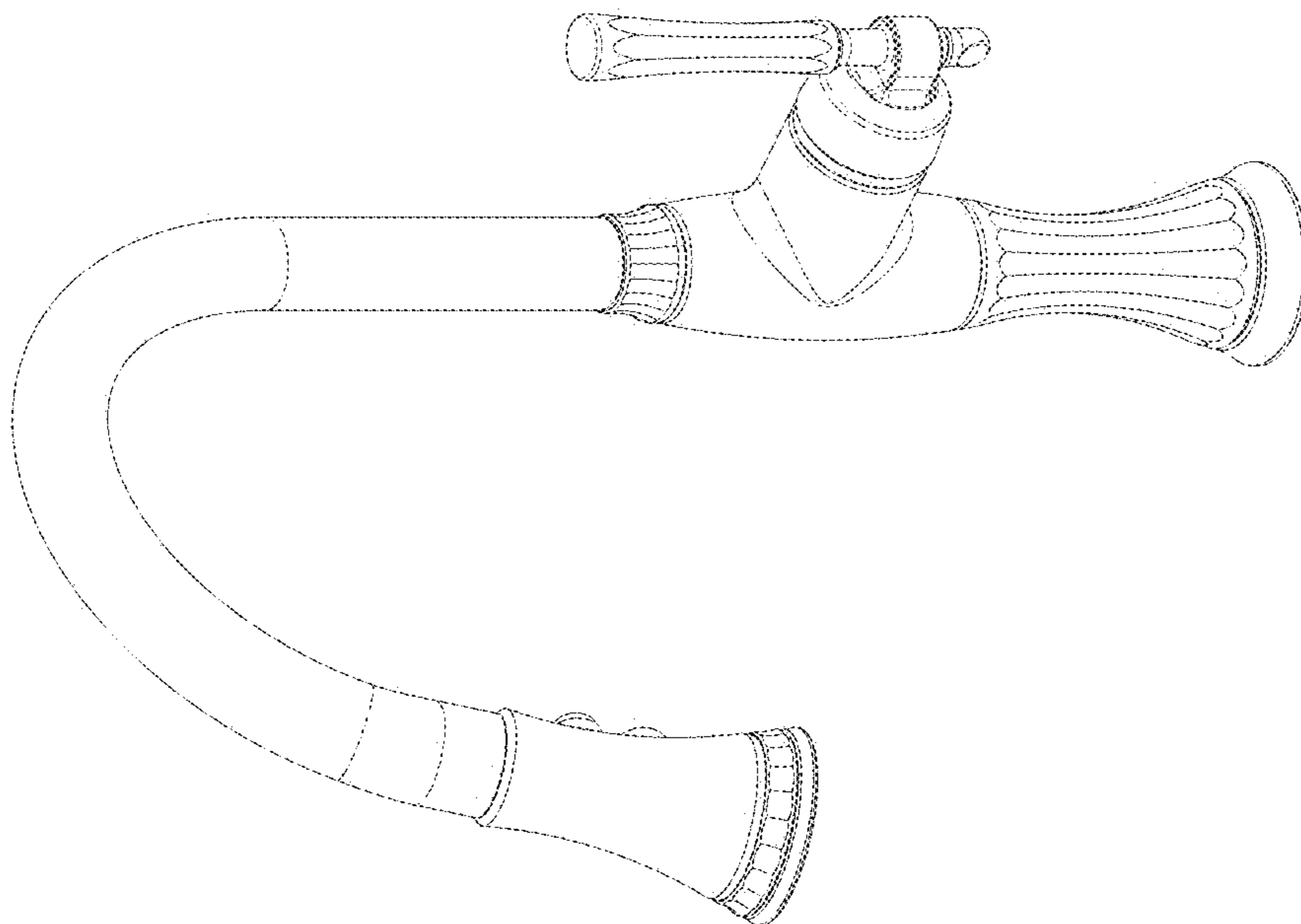


FIG - 1

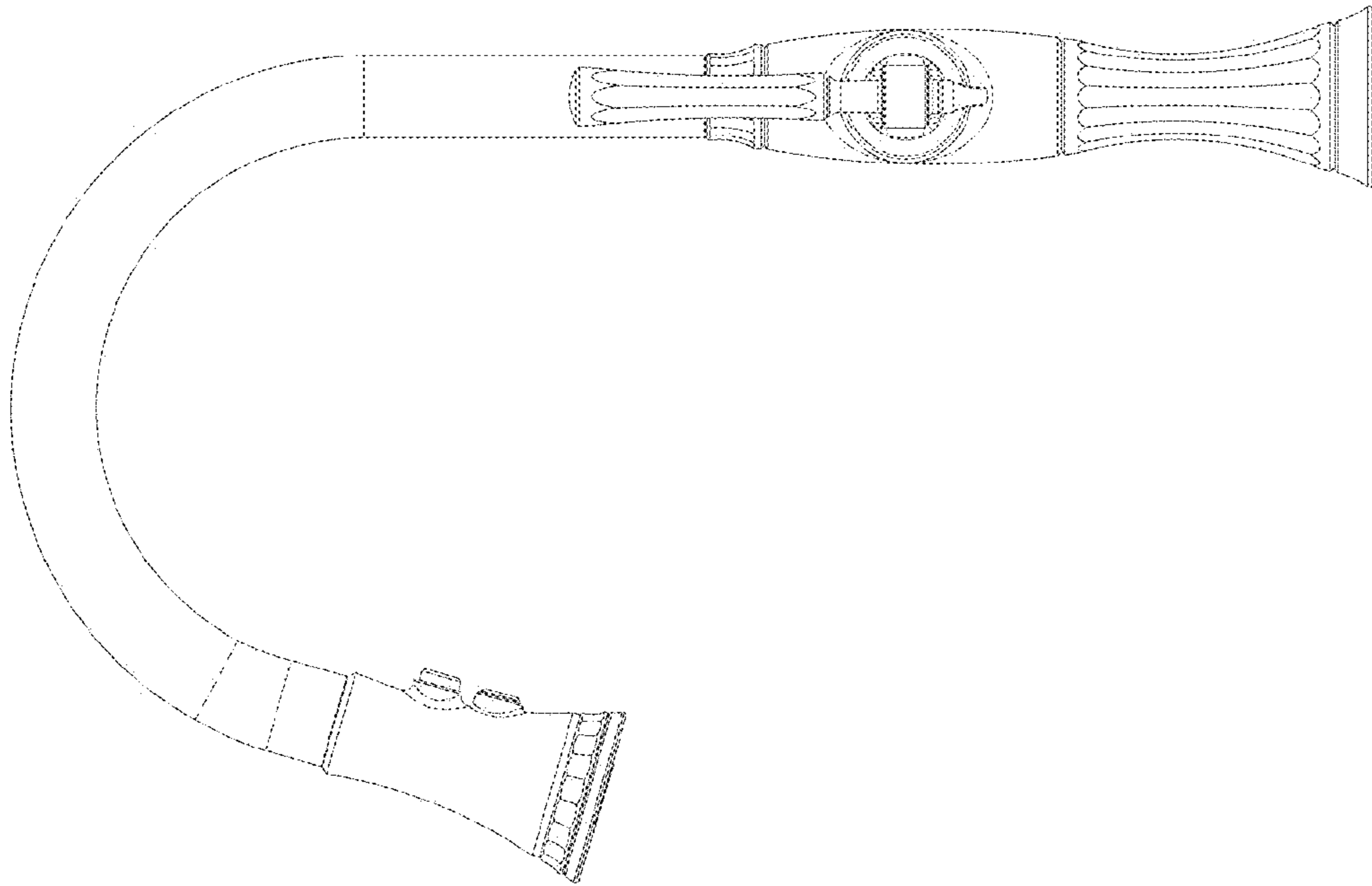


FIG - 3

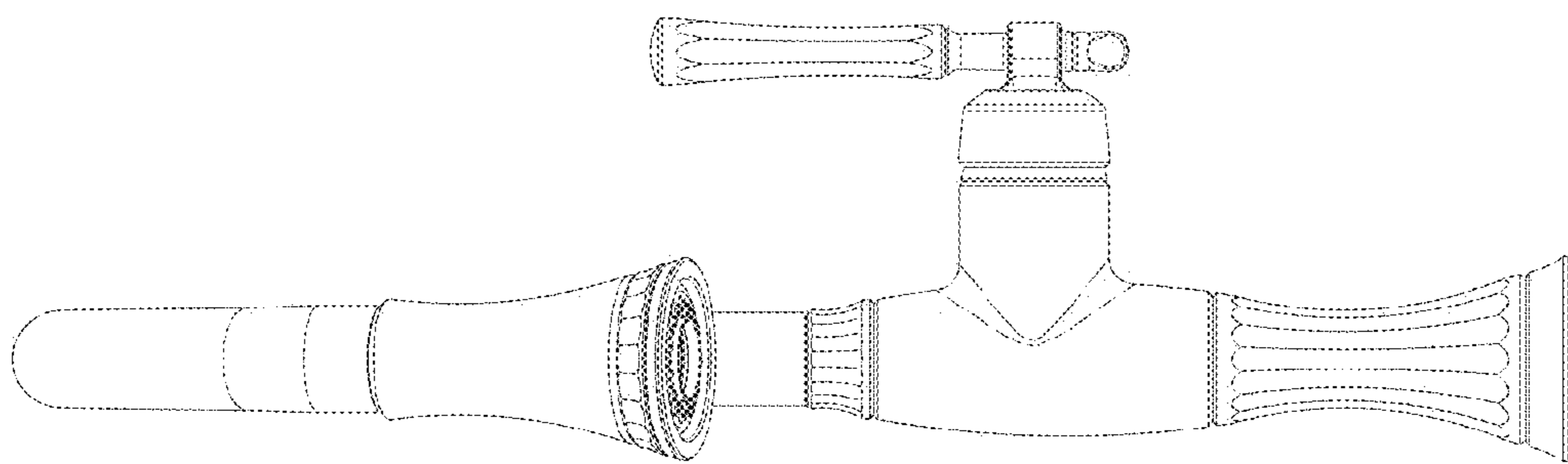


FIG - 4

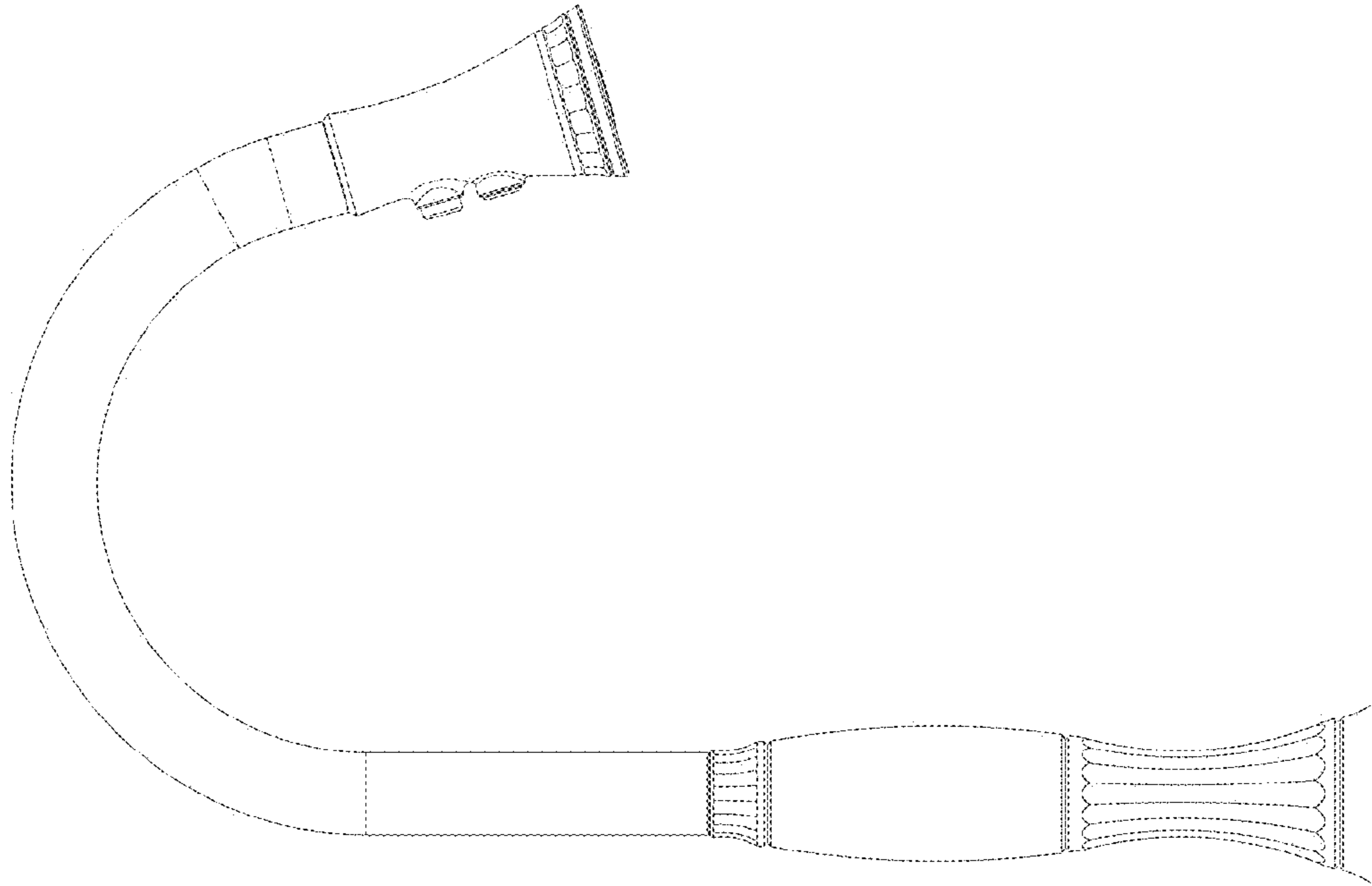


FIG - 6

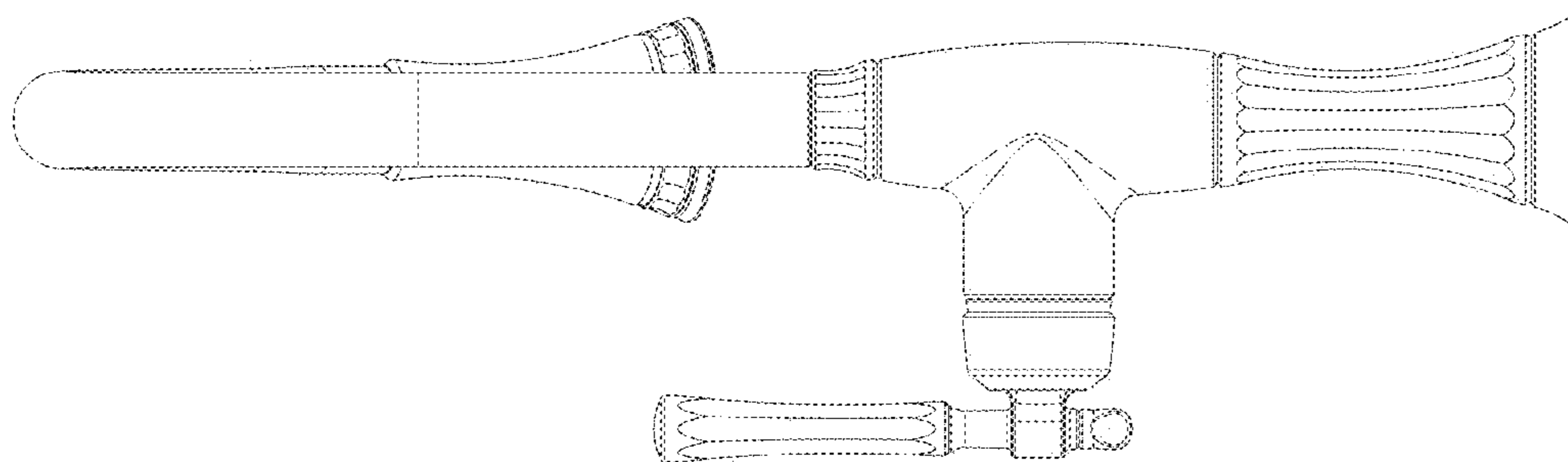


FIG - 6

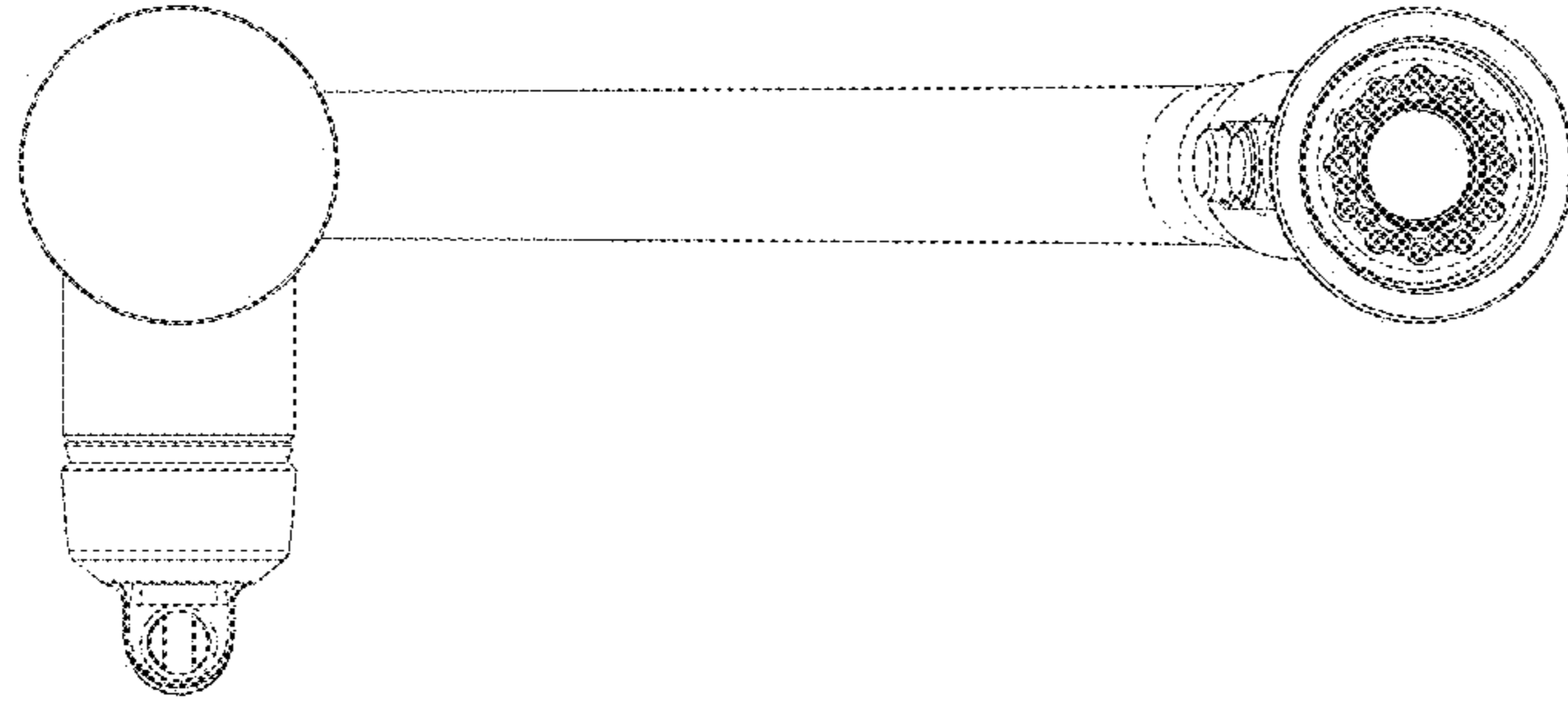


FIG - 8

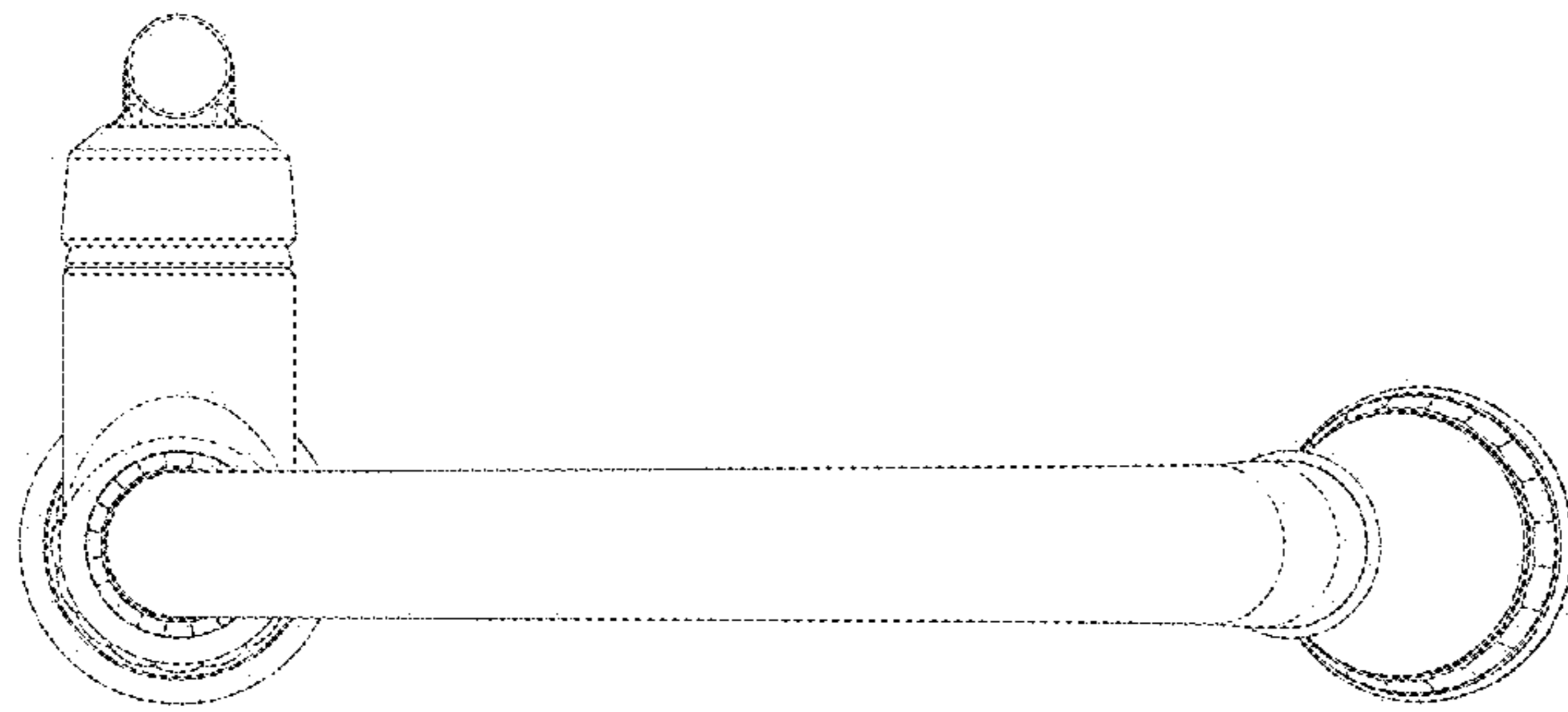


FIG - 7