



US00D921840S

(12) **United States Design Patent**
Chen

(10) **Patent No.:** **US D921,840 S**

(45) **Date of Patent:** **** Jun. 8, 2021**

- (54) **HANDHELD WATER SPRAYER**
- (71) Applicant: **SHIN TAI SPURT WATER OF THE GARDEN TOOLS CO., LTD.**
- (72) Inventor: **Chin-Yuan Chen, Chang-Hua Hsien (TW)**
- (73) Assignee: **SHIN TAI SPURT WATER OF THE GARDEN TOOLS CO., LTD., Chang-Hua Hsien (TW)**
- (**) Term: **15 Years**
- (21) Appl. No.: **29/721,678**
- (22) Filed: **Jan. 22, 2020**
- (51) **LOC (13) Cl.** **23-01**
- (52) **U.S. Cl.**
USPC **D23/226**
- (58) **Field of Classification Search**
USPC D23/213, 223, 226, 229
CPC B05B 12/002; B05B 12/0022; B05B 12/0024; B05B 12/0026; B05B 9/01
See application file for complete search history.

- 2013/0015271 A1* 1/2013 Chen B05B 1/3013 239/526
- 2013/0193236 A1* 8/2013 Ye B05B 9/01 239/526
- 2015/0028134 A1* 1/2015 Hung B05B 1/3046 239/526

OTHER PUBLICATIONS

“Gilmour 300GCR Medium-Duty Metal Rear Trigger Nozzle”, Aug. 7, 2014, Amazon, site visited Feb. 3, 2021: <https://www.amazon.ca/dp/B00EVINZEU/> (Year: 2014).*

“Melnor 65042-AMZ Metal 2 Pack”, Aug. 2, 2019, Amazon, site visited Feb. 3, 2021: <https://www.amazon.ca/dp/B07NW5DXLQ/> (Year: 2019).*

* cited by examiner

Primary Examiner — Jack Reickel
Assistant Examiner — Bobby W Jones, II

(57) **CLAIM**

The ornamental design for a handheld water sprayer, as shown and described.

DESCRIPTION

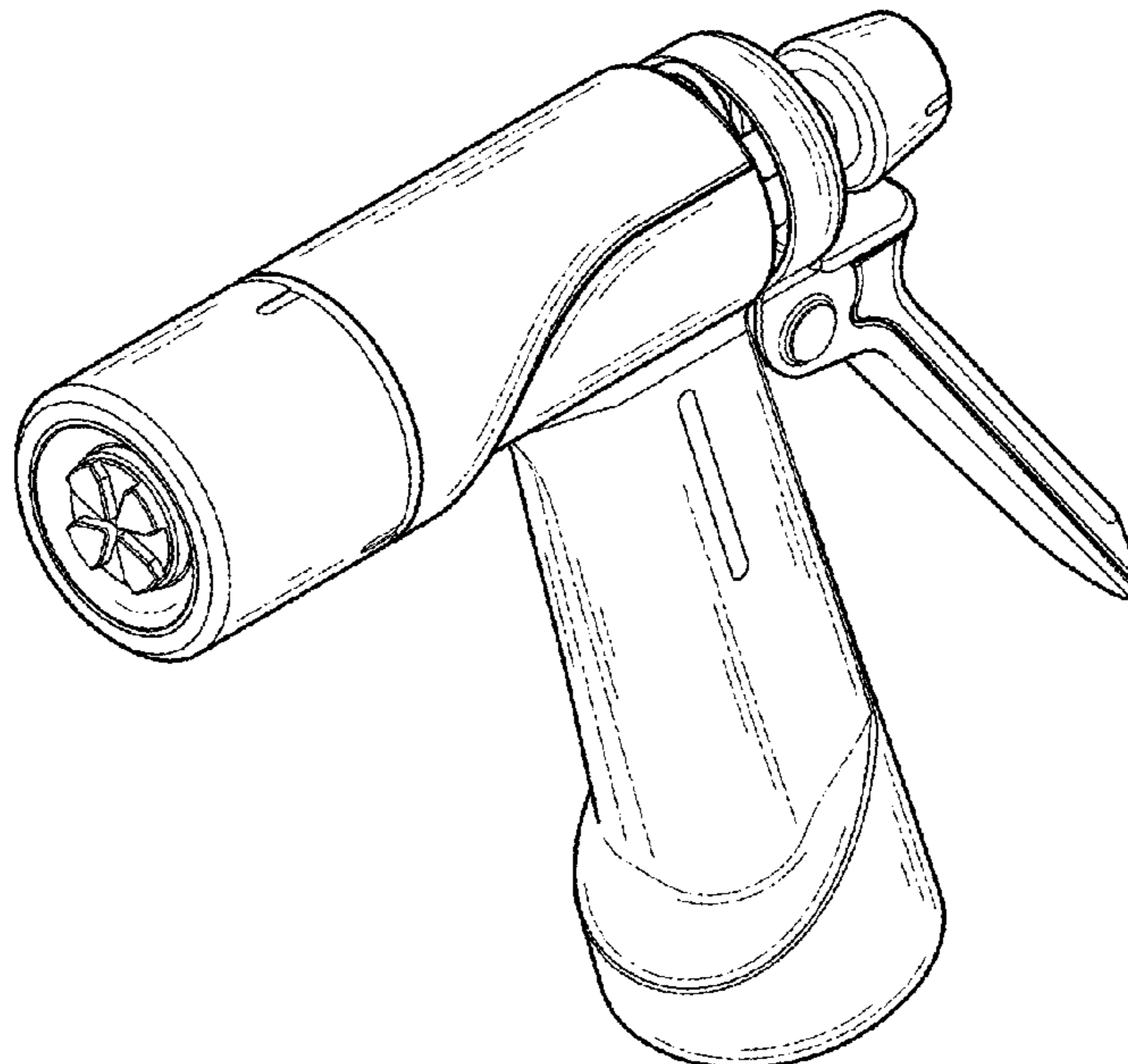
FIG. 1 is a perspective view of a handheld water sprayer showing my new design;
 FIG. 2 is a front elevational view thereof;
 FIG. 3 is a rear elevational view thereof;
 FIG. 4 is a left side elevational view thereof;
 FIG. 5 is a right side elevational view thereof;
 FIG. 6 is a top plan view thereof;
 FIG. 7 is a bottom plan view thereof; and,
 FIG. 8 is another perspective schematic view of a handheld water sprayer showing my design.
 The broken line showing of a handheld water sprayer is included for the purpose of illustrating portions of the article and forms no part of the claimed design.

1 Claim, 5 Drawing Sheets

(56) **References Cited**

U.S. PATENT DOCUMENTS

- D251,680 S * 4/1979 Morgan D23/226
- D431,069 S * 9/2000 Heren D23/226
- D437,029 S * 1/2001 Chao D23/226
- 6,427,931 B1 * 8/2002 Guo B05B 1/30 239/526
- D466,187 S * 11/2002 Kuo D23/226
- D557,769 S * 12/2007 Chih D23/226
- D599,884 S * 9/2009 Zore D23/226
- D648,824 S * 11/2011 Hung D23/226
- D779,041 S * 2/2017 Chen D23/226
- D824,488 S * 7/2018 Montoya D23/223
- D846,074 S * 4/2019 Pease D23/226



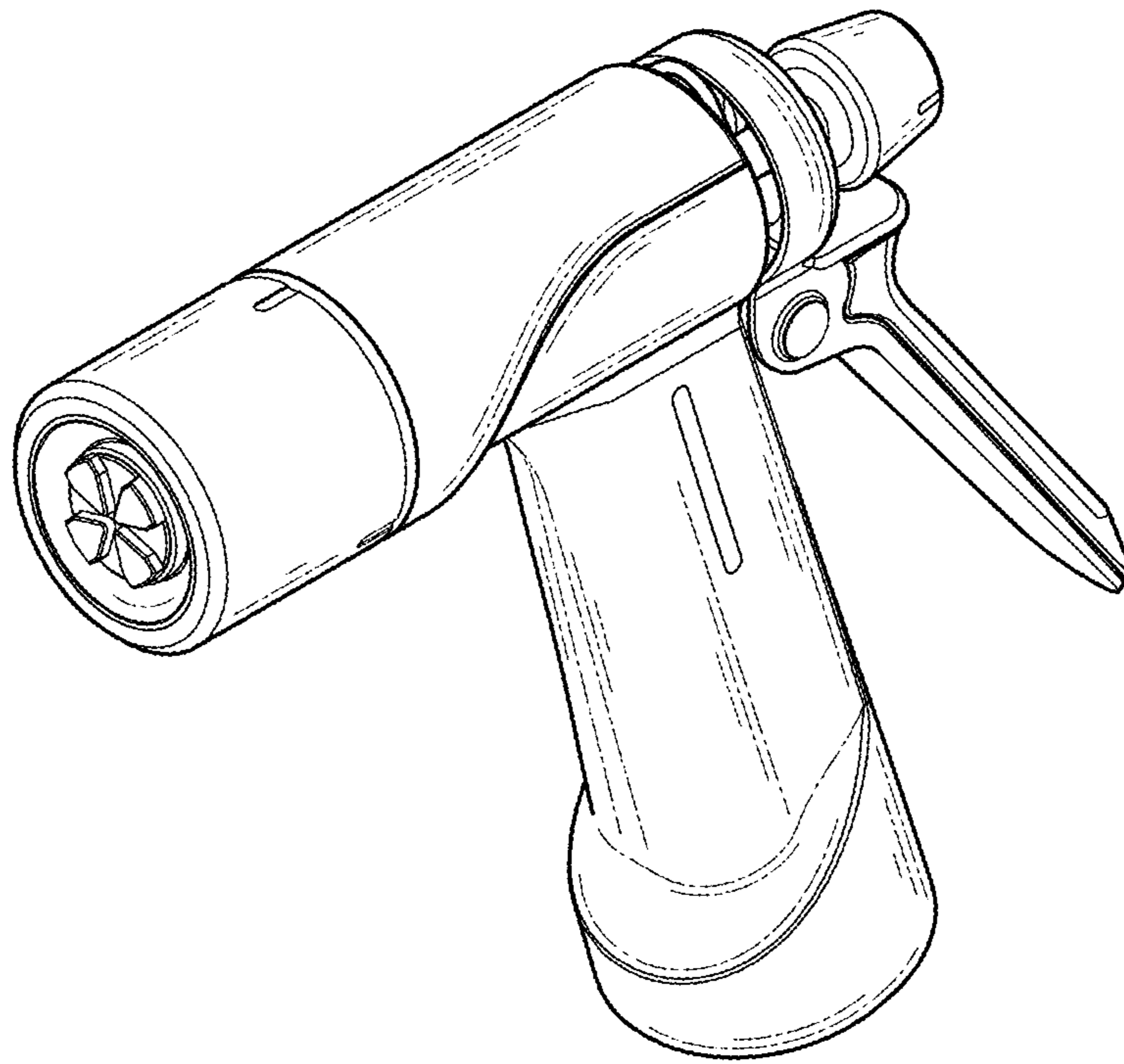


FIG. 1

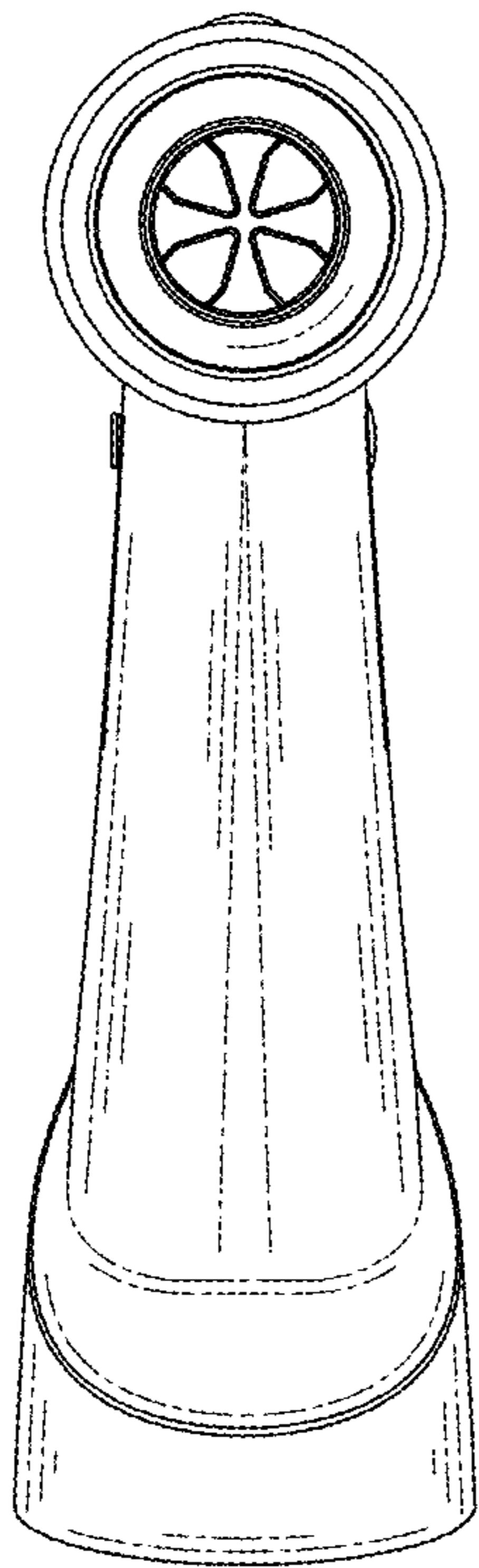


FIG.2

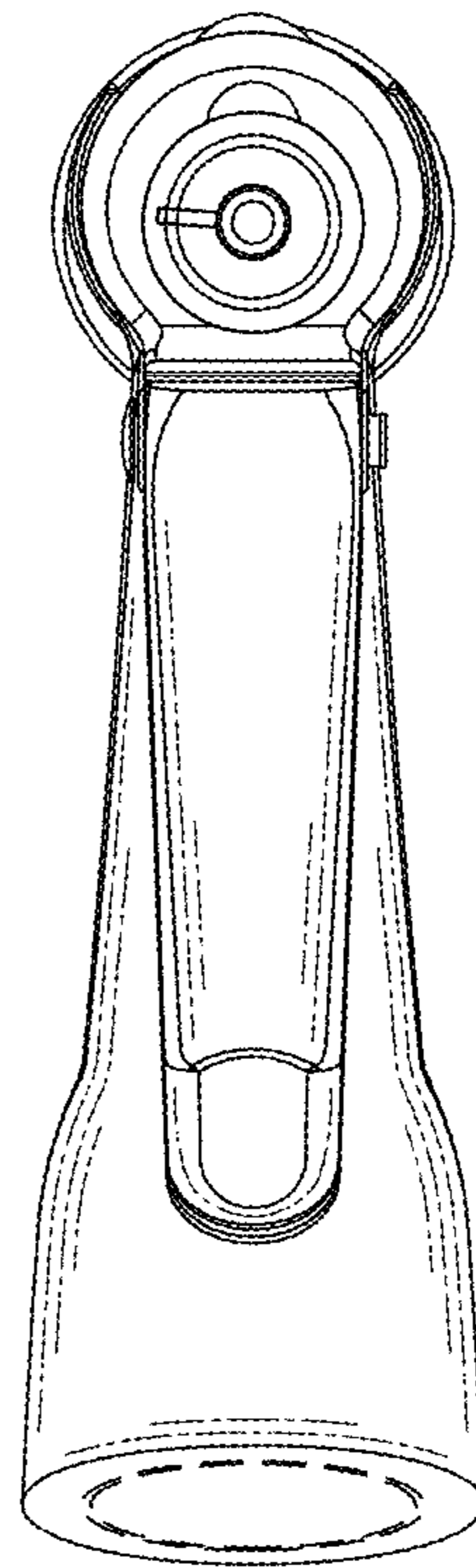


FIG.3

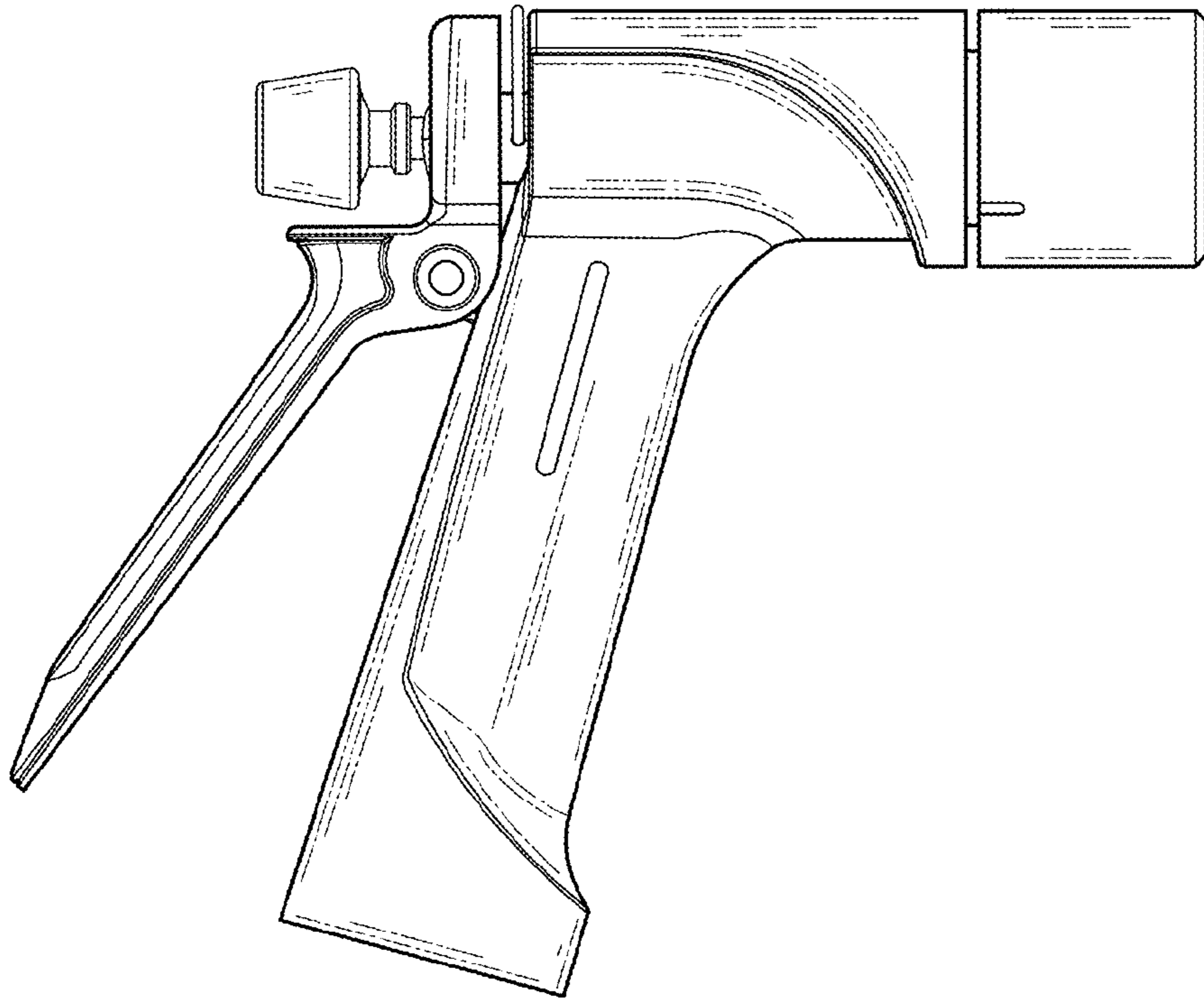


FIG. 4

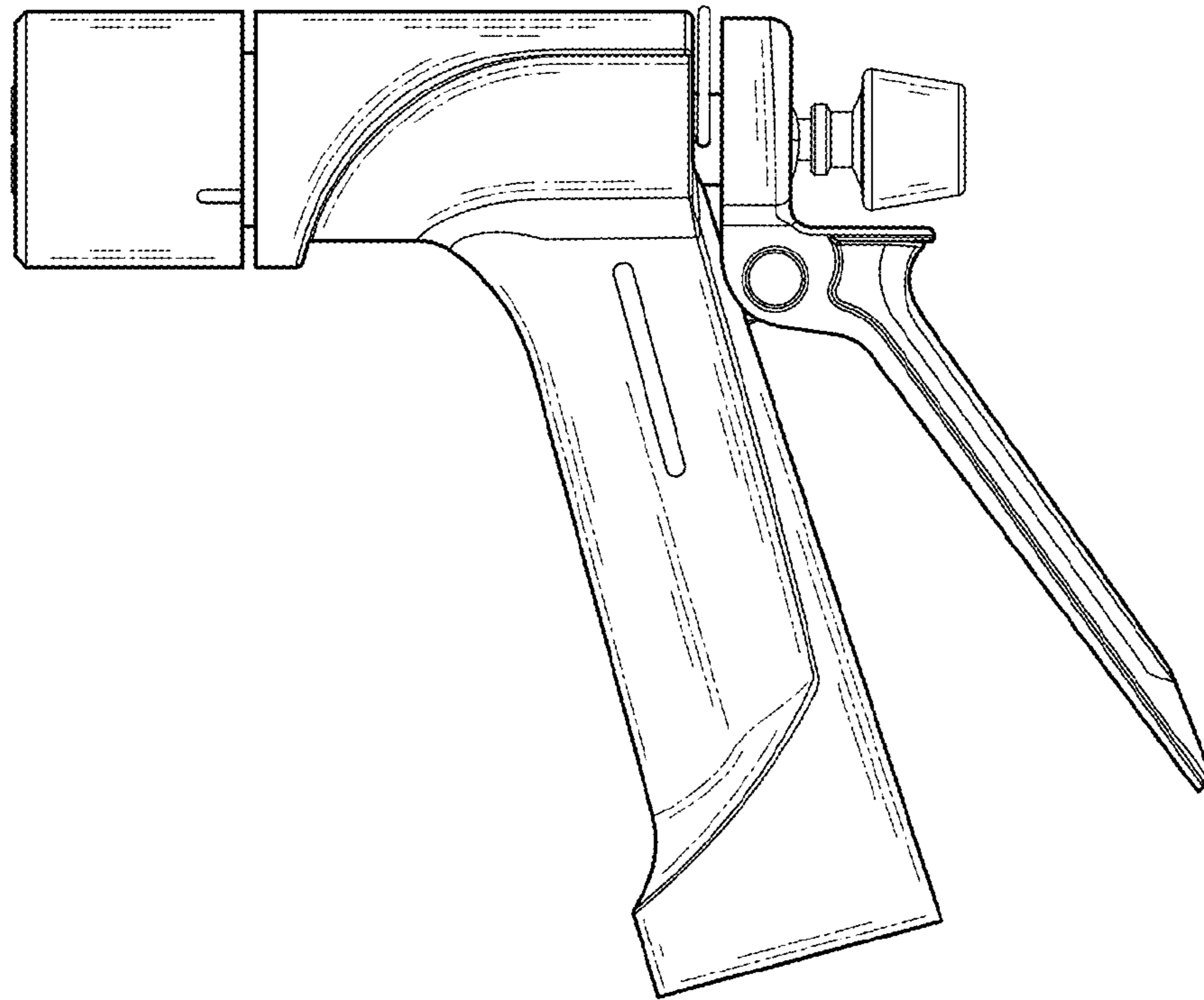


FIG. 5

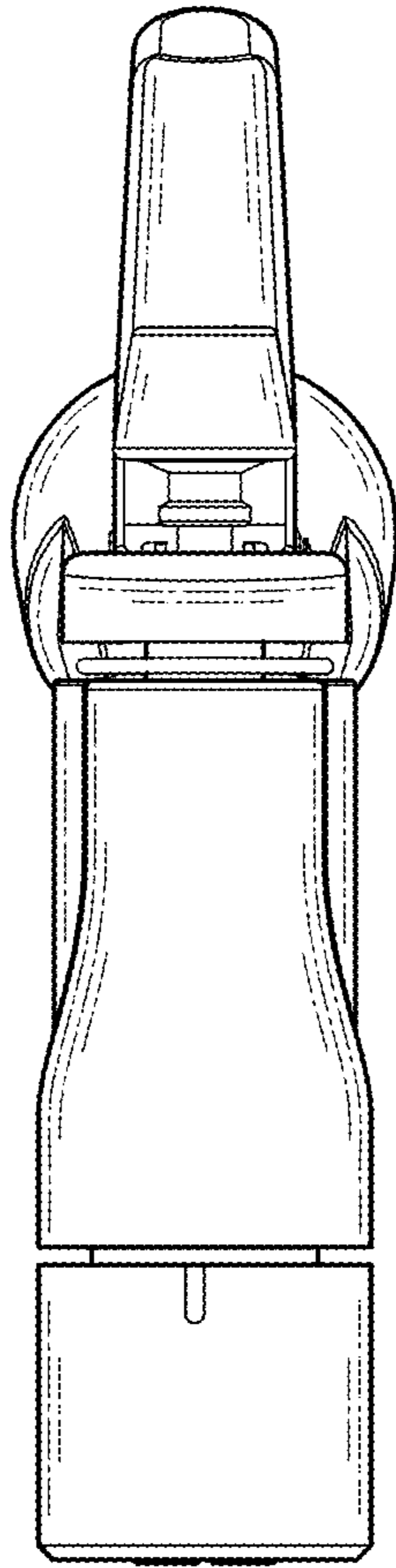


FIG. 6

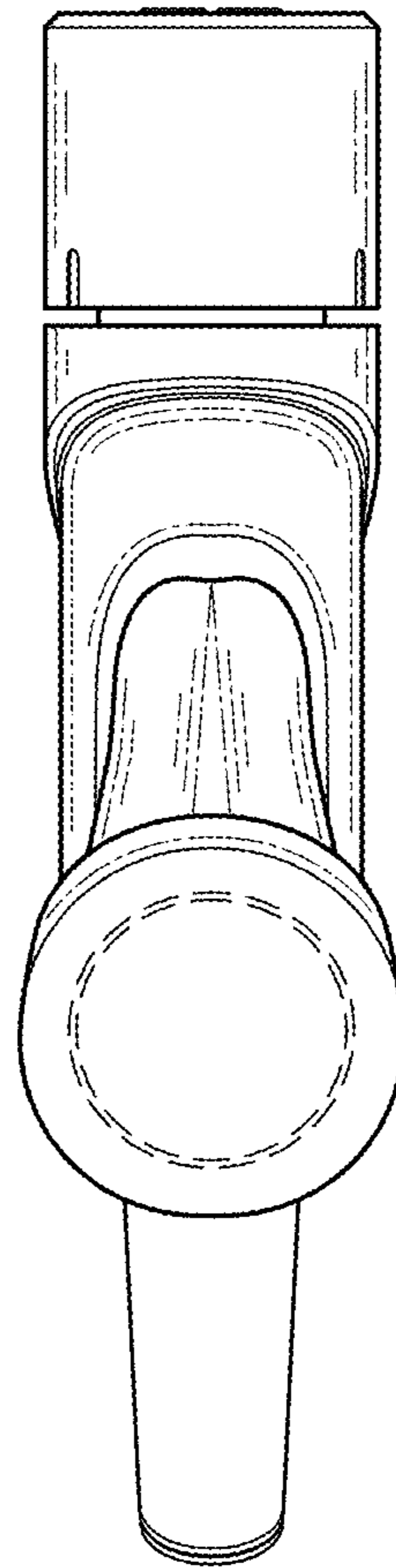


FIG. 7

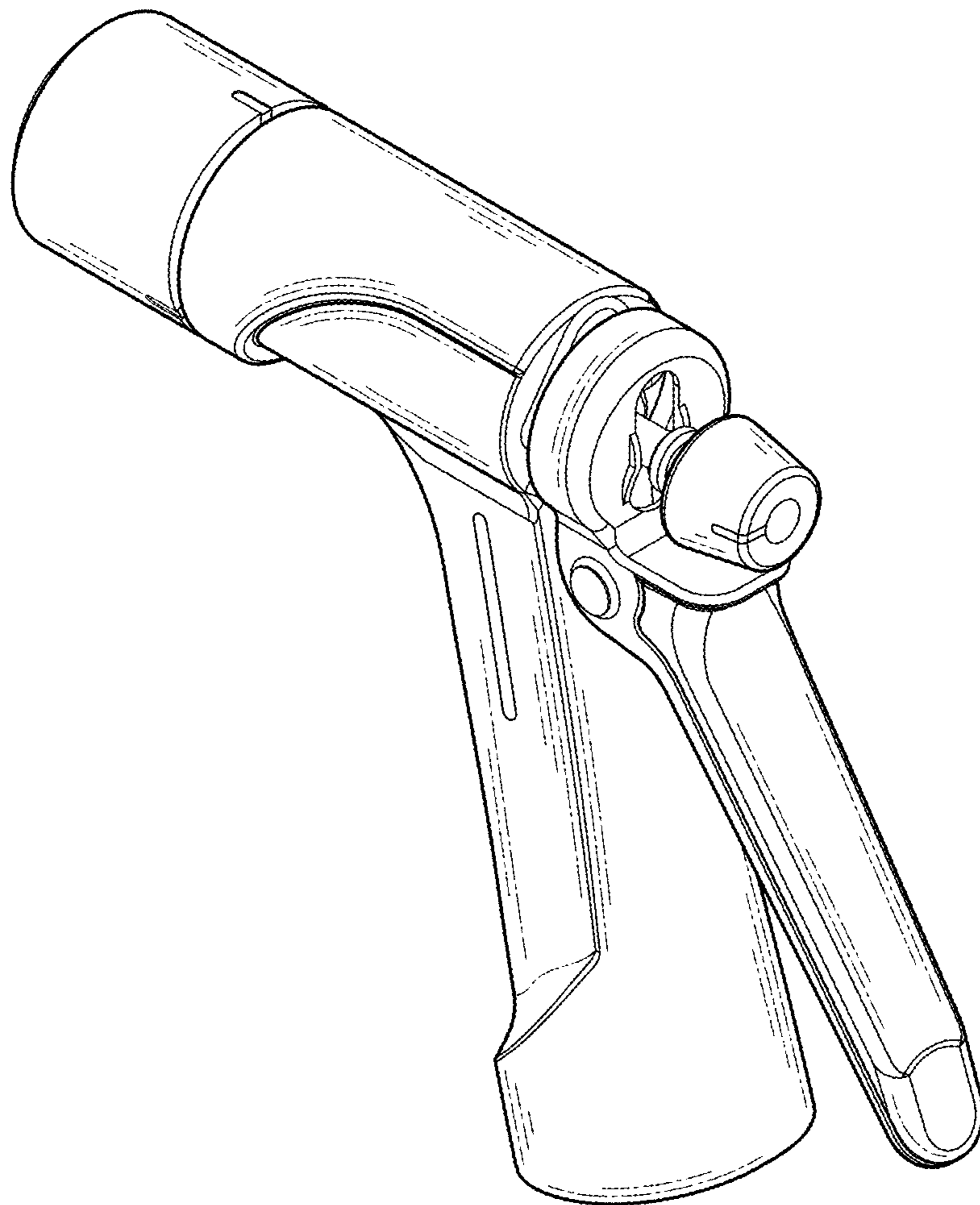


FIG.8