



US00D921838S

(12) **United States Design Patent**  
**Chen**

(10) **Patent No.:** **US D921,838 S**

(45) **Date of Patent:** **\*\* Jun. 8, 2021**

(54) **HANDLE OF GARDENING SPRAY**

D705,898 S \* 5/2014 Chen ..... D23/223  
9,038,928 B2 \* 5/2015 Ye ..... B05B 12/0024

(71) Applicant: **SHIN TAI SPURT WATER OF THE GARDEN TOOLS CO., LTD.,**  
Chang-Hua Hsien (TW)

D754,285 S \* 4/2016 Helton ..... D23/223  
D771,775 S \* 11/2016 Chen ..... D23/223  
D792,945 S \* 7/2017 Cheng ..... D23/224  
D792,947 S \* 7/2017 Hung ..... D23/226  
9,707,573 B1 \* 7/2017 Huang ..... B05B 12/002  
D846,071 S \* 4/2019 Pease ..... D23/213  
D846,695 S \* 4/2019 Pease ..... D23/223

(72) Inventor: **Chin-Yuan Chen, Lu-Kang Town (TW)**

(73) Assignee: **SHIN TAI SPURT WATER OF THE GARDEN TOOLS CO., LTD.,**  
Chang-Hua Hsien (TW)

(Continued)

(\*\*) Term: **15 Years**

(21) Appl. No.: **29/713,285**

(22) Filed: **Nov. 14, 2019**

(51) **LOC (13) Cl.** ..... **23-01**

(52) **U.S. Cl.**  
USPC ..... **D23/226**

(58) **Field of Classification Search**  
USPC ..... D23/213, 223, 226, 229  
CPC ..... B05B 12/002; B05B 12/0022; B05B 12/0024; B05B 12/0026; B05B 9/01  
See application file for complete search history.

(56) **References Cited**

**U.S. PATENT DOCUMENTS**

D458,343 S *	6/2002	Chen	.....	D23/213
D513,306 S *	12/2005	Chen	.....	D23/226
D557,379 S *	12/2007	Chen	.....	D23/223
D584,380 S *	1/2009	Cheng	.....	D23/223
D584,381 S *	1/2009	Hung	.....	D23/223
D584,796 S *	1/2009	Cheng	.....	D23/223
D585,109 S *	1/2009	Cheng	.....	D23/223
D606,624 S *	12/2009	Yu	.....	D23/223
D648,823 S *	11/2011	Hung	.....	D23/223
8,123,151 B2 *	2/2012	Cheng	.....	B05B 1/3026
				239/586
D681,160 S *	4/2013	Chen	.....	D23/226
D699,814 S *	2/2014	Ondarra	.....	D23/226
D704,801 S *	5/2014	Chen	.....	D23/223

**OTHER PUBLICATIONS**

“Colorwave Watering Wand”, Aug. 7, 2014, Amazon, Site visited Dec. 9, 2020: <https://www.amazon.ca/dp/B00IZ72LF2/> (Year: 2014).\*

(Continued)

*Primary Examiner* — Jack Reickel  
*Assistant Examiner* — Bobby W Jones, II

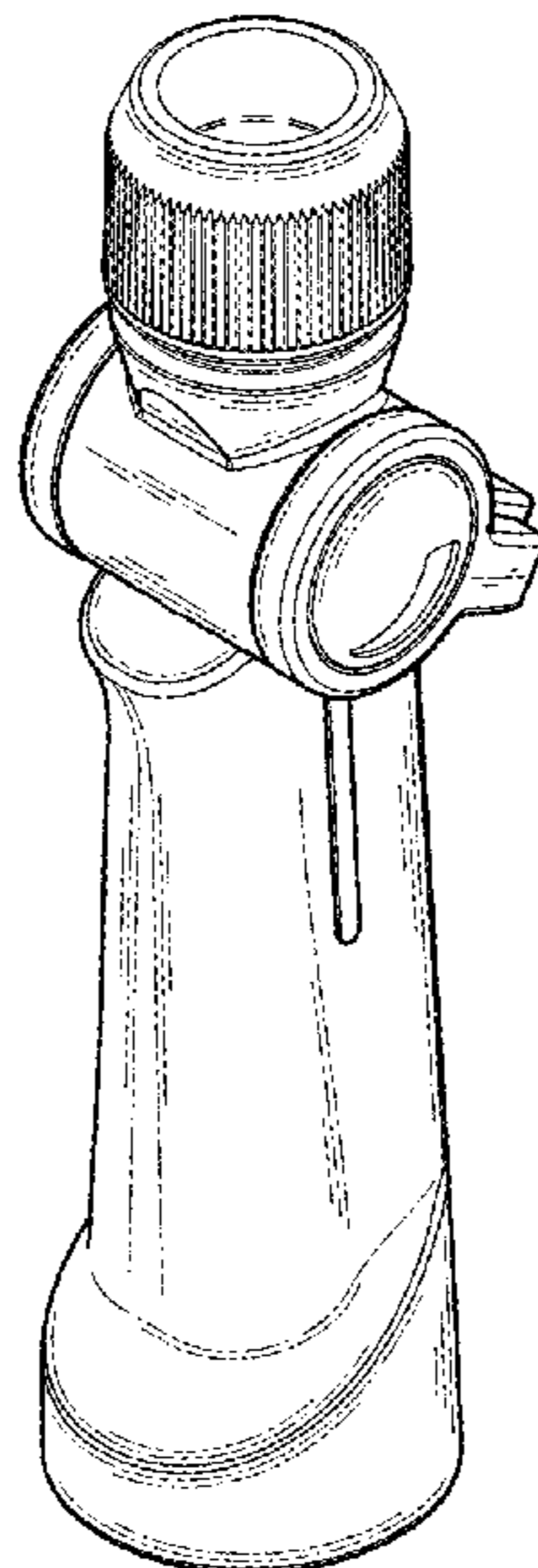
(57) **CLAIM**

The ornamental design for a handle of gardening spray, as shown and described.

**DESCRIPTION**

FIG. 1 is a perspective view of a handle of gardening spray showing my new design;  
FIG. 2 is a front elevational view thereof;  
FIG. 3 is a rear elevational view thereof;  
FIG. 4 is a left side elevational view thereof;  
FIG. 5 is a right side elevational view thereof;  
FIG. 6 is a top plan view thereof;  
FIG. 7 is a bottom plan view thereof; and,  
FIG. 8 is another perspective schematic view of a handle of gardening spray showing my design.  
The broken line showing of a handle of gardening spray is included for the purpose of illustrating portions of the article and forms no part of the claimed design.

**1 Claim, 5 Drawing Sheets**



(56)

**References Cited**

U.S. PATENT DOCUMENTS

D892,272 S \* 8/2020 Urry ..... D23/223  
2006/0249599 A1 \* 11/2006 Guo ..... F16K 35/025  
239/530

OTHER PUBLICATIONS

“Orbit 56054 9 Pattern Telescoping Turret Wand” Jan. 27, 2016,  
Amazon, site visited Dec. 9, 2020: [https://www.amazon.ca/dp/  
B0187BNSNO/](https://www.amazon.ca/dp/B0187BNSNO/) (Year: 2016).\*

\* cited by examiner

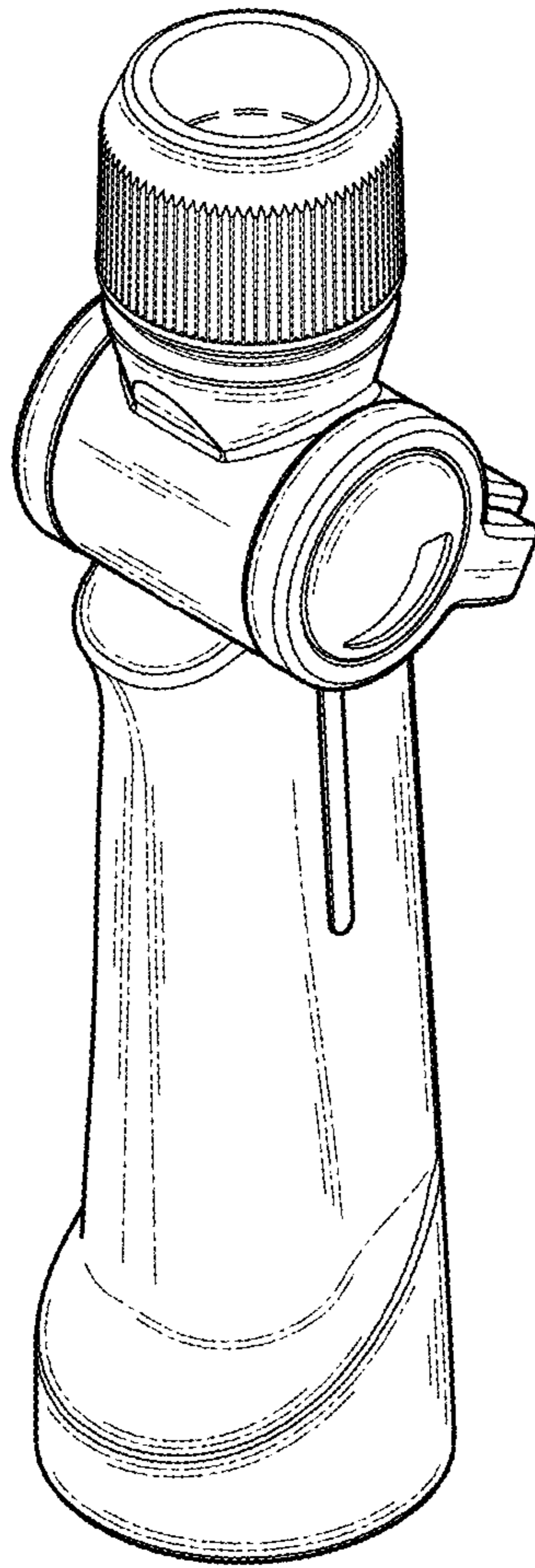


FIG.1

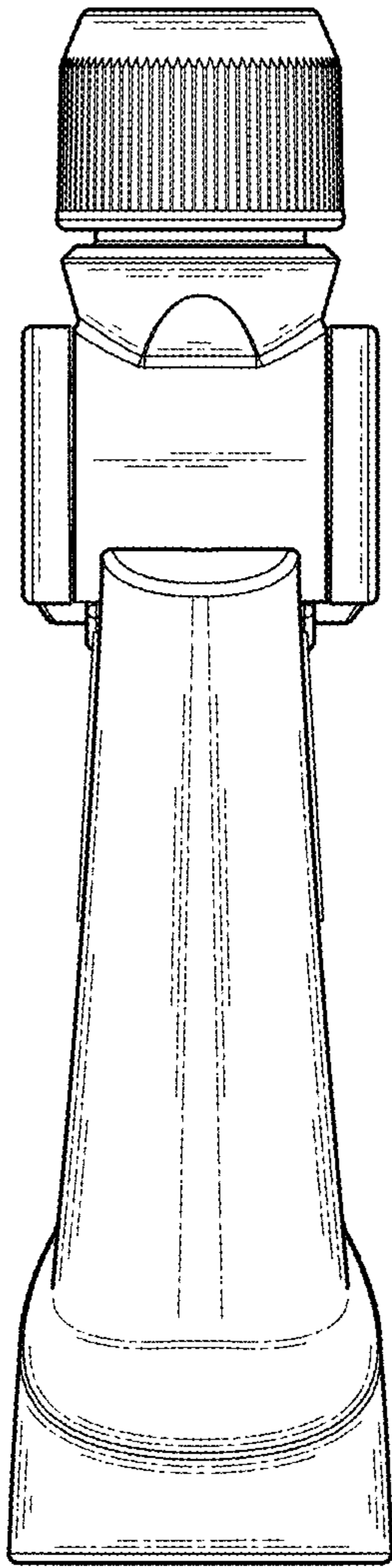


FIG. 2

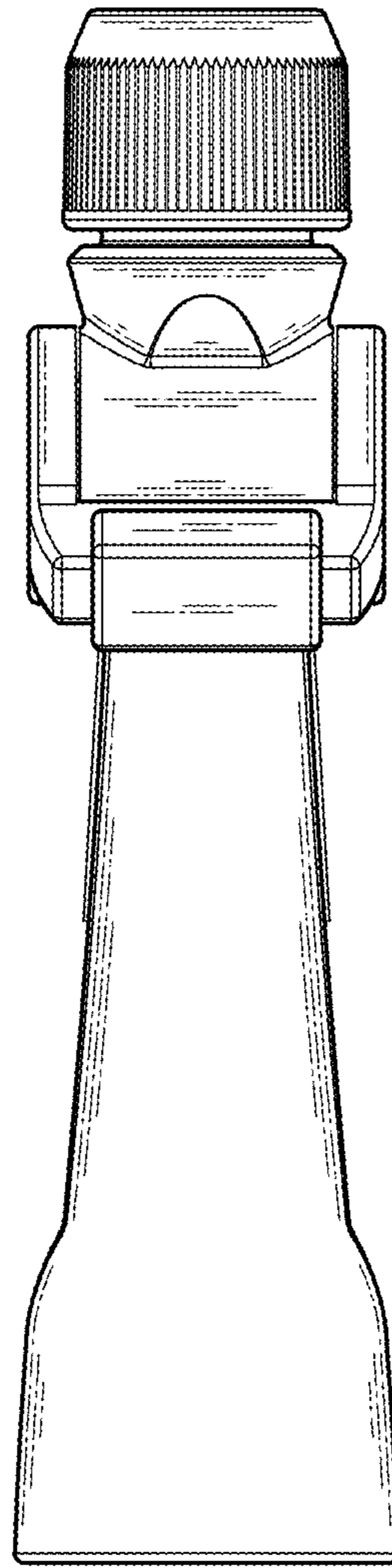


FIG. 3

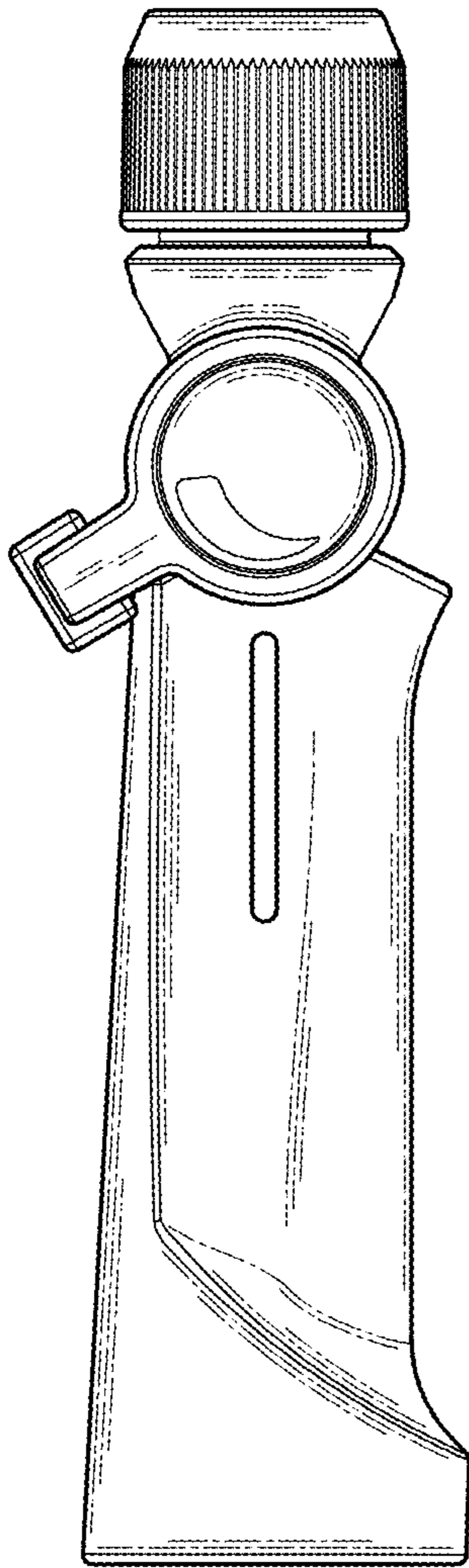


FIG.4

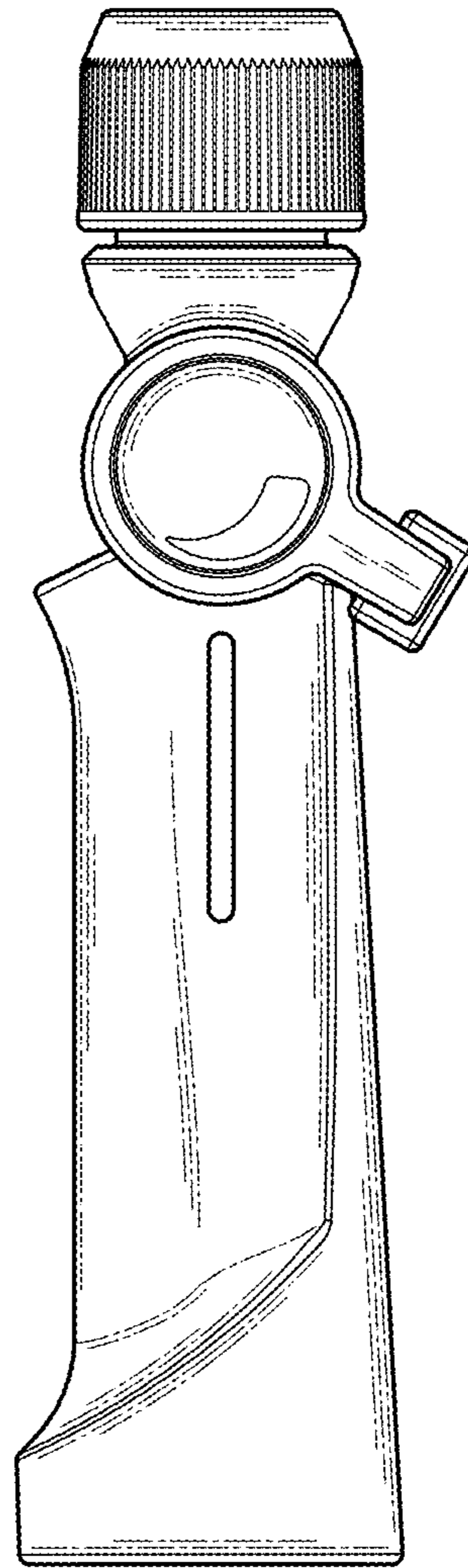


FIG.5



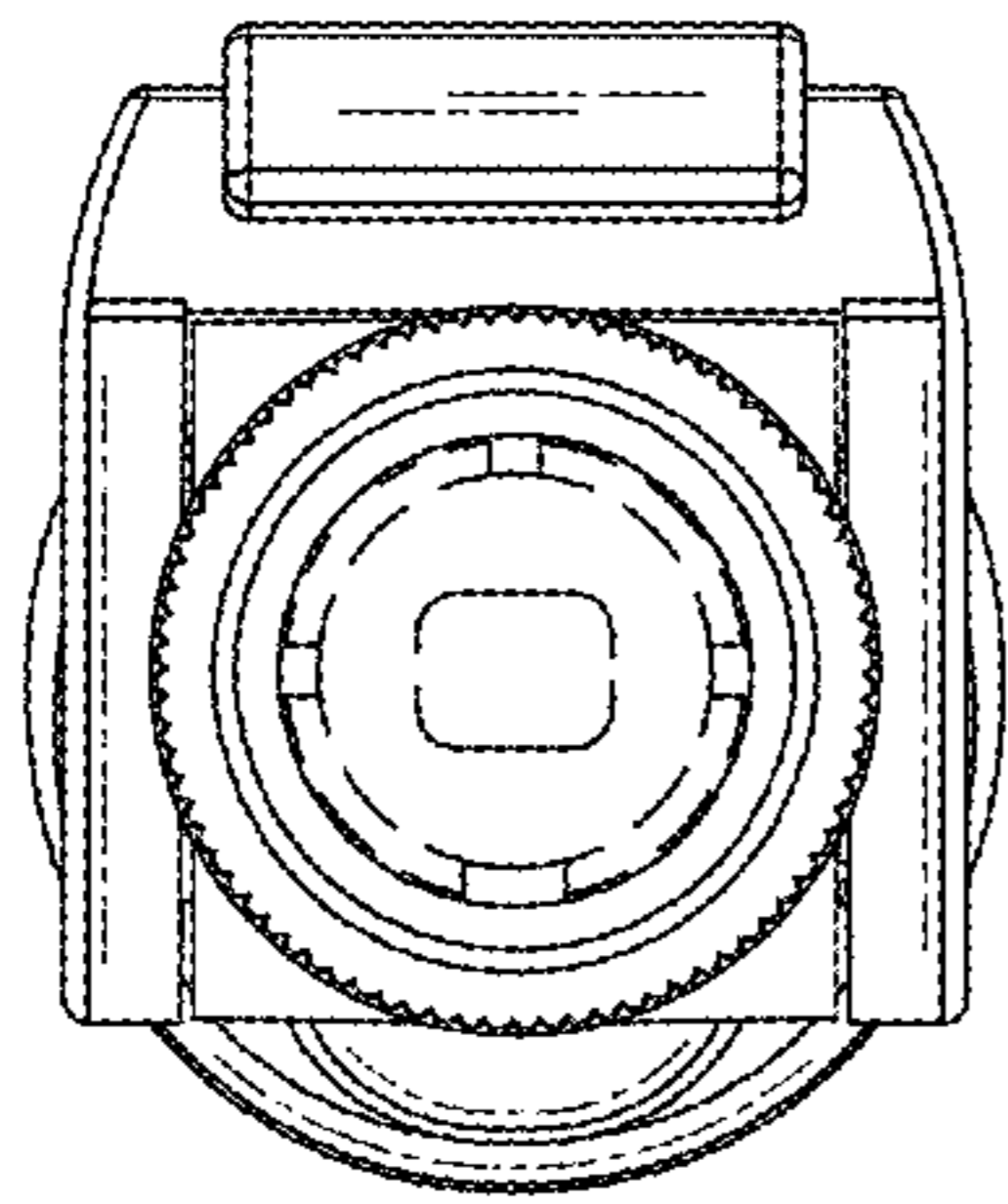


FIG.6

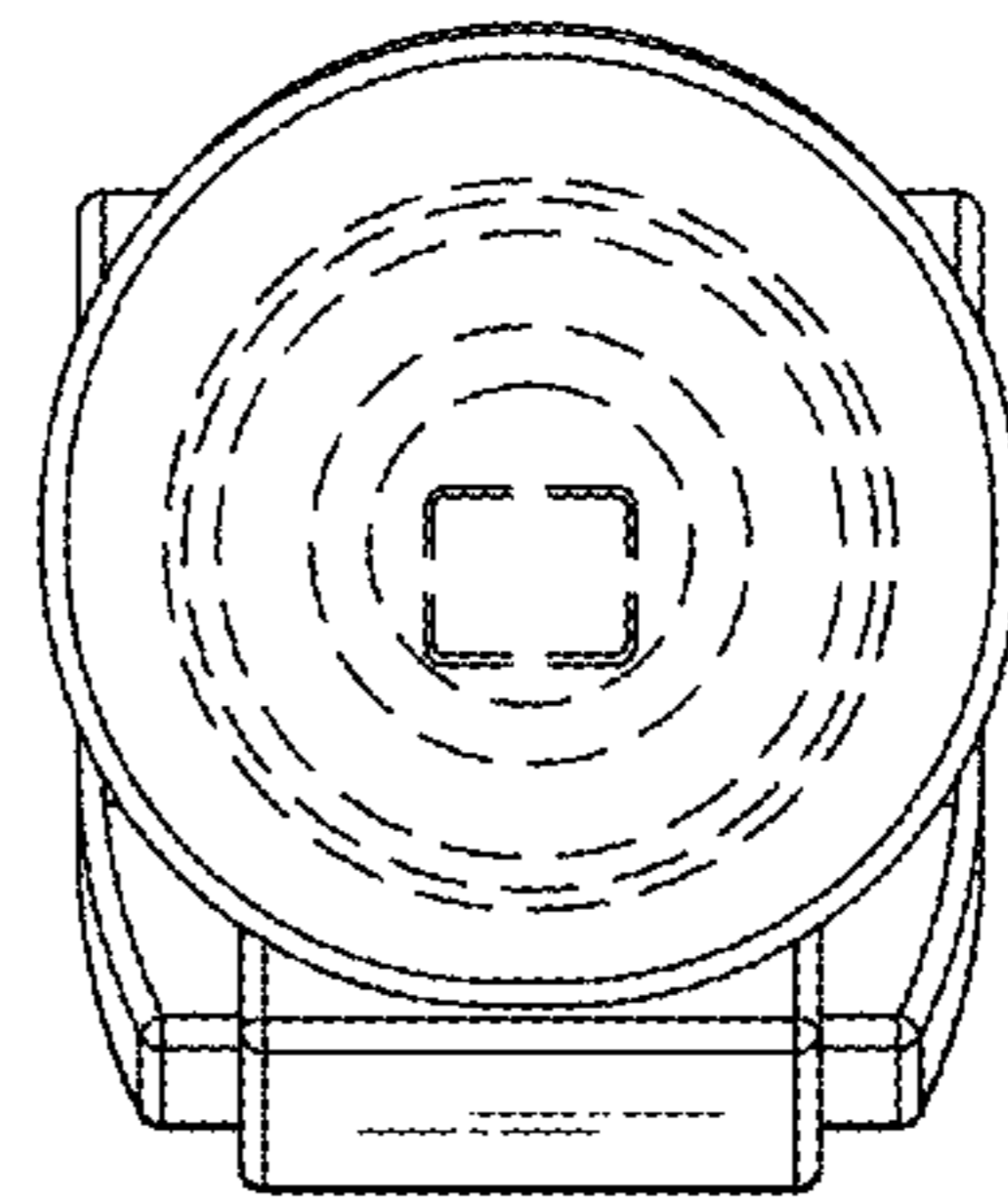


FIG.7

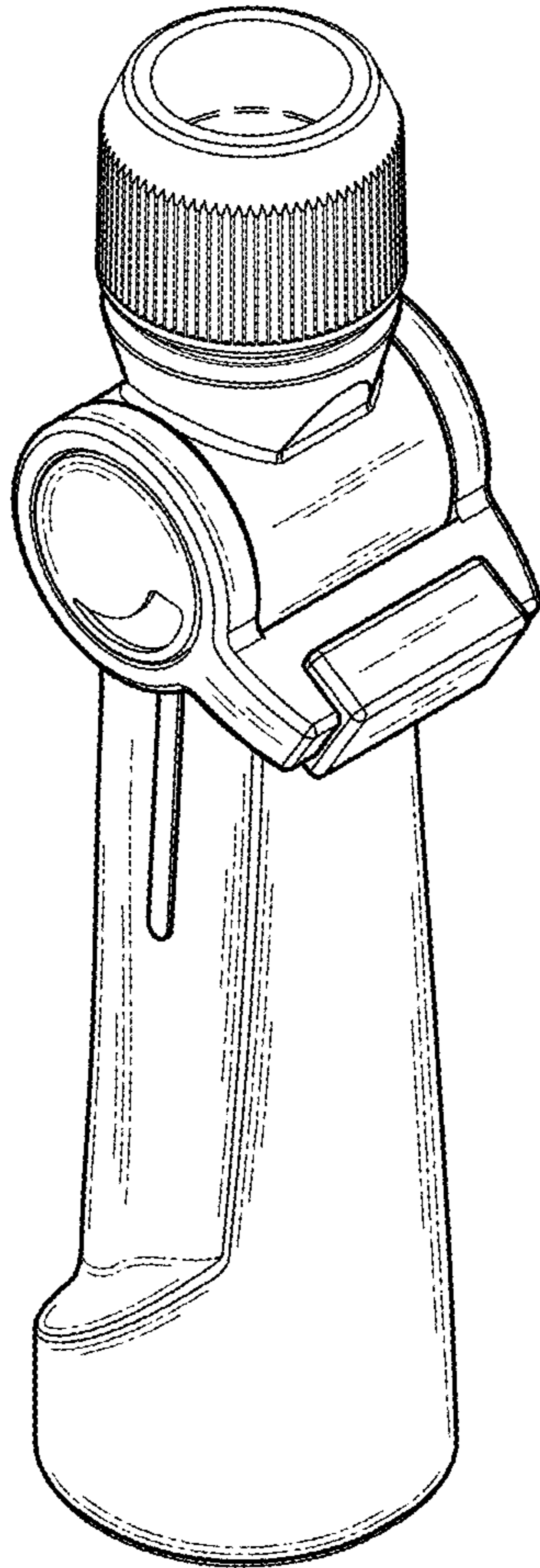


FIG.8