



US00D921837S

(12) **United States Design Patent**  
**Chen**

(10) **Patent No.:** **US D921,837 S**

(45) **Date of Patent:** **\*\* Jun. 8, 2021**

(54) **GARDENING WATER SPRAY GUN**

(71) Applicant: **SHIN TAI SPURT WATER OF THE GARDEN TOOLS CO., LTD.**

(72) Inventor: **Chin-Yuan Chen, Lu-Kang Town (TW)**

(73) Assignee: **SHIN TAI SPURT WATER OF THE GARDEN TOOLS CO., LTD., Chang-Hua Hsien (TW)**

(\*\*) Term: **15 Years**

(21) Appl. No.: **29/713,271**

(22) Filed: **Nov. 14, 2019**

(51) **LOC (13) Cl.** ..... **23-01**

(52) **U.S. Cl.**  
USPC ..... **D23/226**

(58) **Field of Classification Search**  
USPC ..... D23/213, 223, 226, 229  
CPC ..... B05B 12/002; B05B 12/0022; B05B 12/0024; B05B 12/0026; B05B 9/01  
See application file for complete search history.

(56) **References Cited**

**U.S. PATENT DOCUMENTS**

D251,680	S	*	4/1979	Morgan	.....	D23/226
D408,496	S	*	4/1999	Wang	.....	D23/226
D408,497	S	*	4/1999	Wang	.....	D23/226
D409,720	S	*	5/1999	Guo	.....	D23/226
5,967,421	A	*	10/1999	Wang	.....	B05B 1/3013 239/526
D441,424	S	*	5/2001	Guo	.....	D23/226
D462,741	S	*	9/2002	Guo	.....	D23/226
D466,187	S	*	11/2002	Kuo	.....	D23/226
D475,121	S	*	5/2003	Kuo	.....	D23/226
D475,122	S	*	5/2003	Kuo	.....	D23/226
6,702,206	B2	*	3/2004	Wu	.....	B05B 1/3013 239/525
7,000,855	B1	*	2/2006	Chen	.....	B05B 1/30 239/526

D553,224	S	*	10/2007	Chih	.....	D23/226
D554,235	S	*	10/2007	Chih	.....	D23/226
D557,767	S	*	12/2007	Chih	.....	D23/226
D606,625	S	*	12/2009	Zore	.....	D23/226
D652,112	S	*	1/2012	Chen	.....	D23/226
9,038,928	B2	*	5/2015	Ye	.....	B05B 12/0024 239/526
D783,124	S	*	4/2017	Chen	.....	D23/226

(Continued)

**OTHER PUBLICATIONS**

“Gilmour 300GCF Medium-Duty Metal Front Trigger Nozzle”, Aug. 7, 2014, Amazon, site visited Feb. 3, 2021: <https://www.amazon.ca/dp/B00EVINWUM/> (Year: 2014).\*

(Continued)

*Primary Examiner* — Jack Reickel

*Assistant Examiner* — Bobby W Jones, II

(57) **CLAIM**

The ornamental design for a gardening water spray gun, as shown and described.

**DESCRIPTION**

FIG. 1 is a perspective view of a gardening water spray gun showing my new design;

FIG. 2 is a front elevational view thereof;

FIG. 3 is a rear elevational view thereof;

FIG. 4 is a left side elevational view thereof;

FIG. 5 is a right side elevational view thereof;

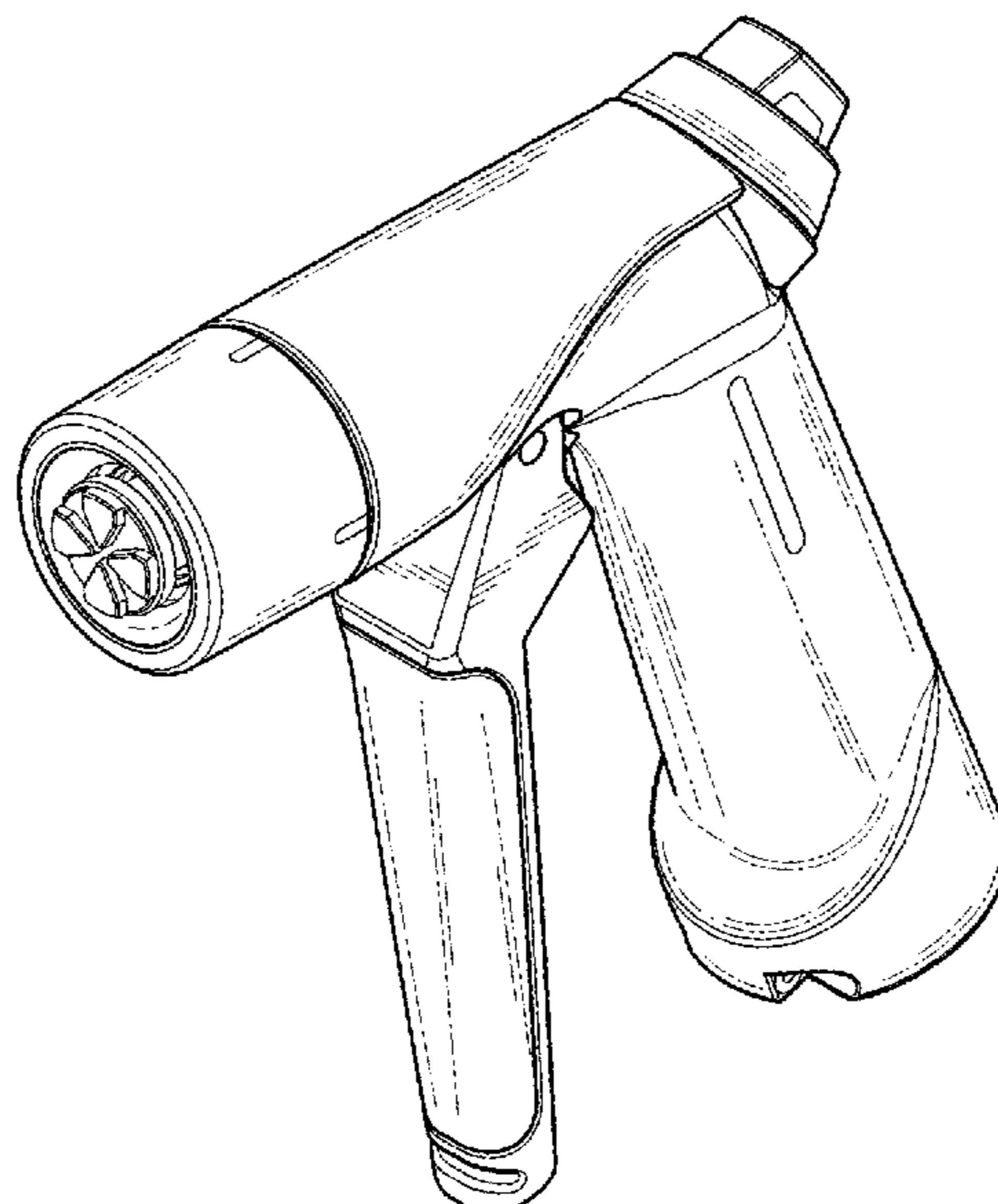
FIG. 6 is a top plan view thereof;

FIG. 7 is a bottom plan view thereof; and,

FIG. 8 is another perspective schematic view of a gardening water spray gun showing my design.

The broken line showing of a gardening water spray gun is included for the purpose of illustrating portions of the article and forms no part of the claimed design.

**1 Claim, 6 Drawing Sheets**



(56)

**References Cited**

U.S. PATENT DOCUMENTS

D824,487 S \* 7/2018 Montoya ..... D23/223  
D824,490 S \* 7/2018 Montoya ..... D23/223

OTHER PUBLICATIONS

“Melnor 65042-AMZ Metal 2 Pack”, Aug. 2, 2019, Amazon, site visited Feb. 3, 2021: <https://www.amazon.ca/dp/B07NW5DXLQ/> (Year: 2019).\*

\* cited by examiner

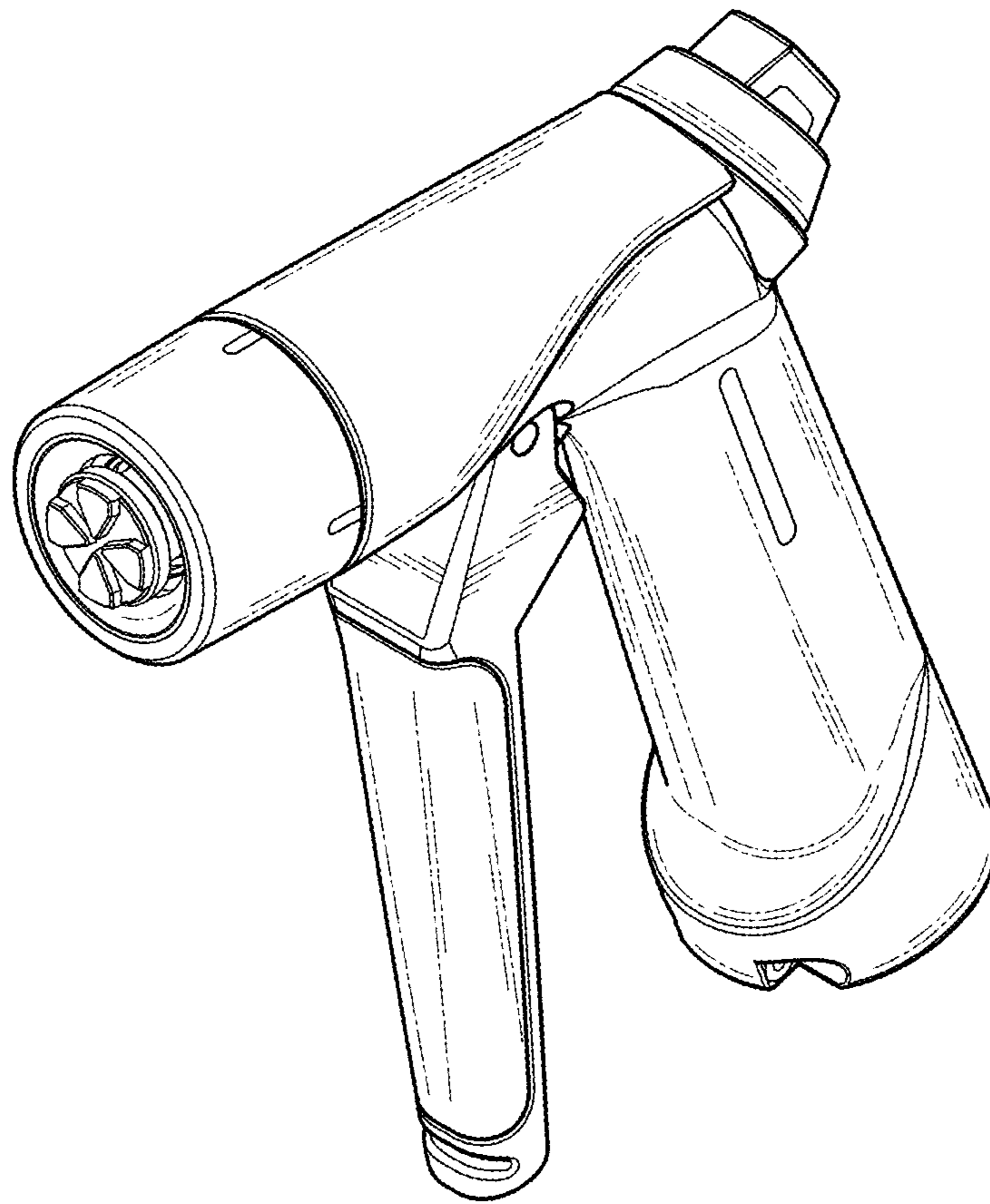


FIG.1

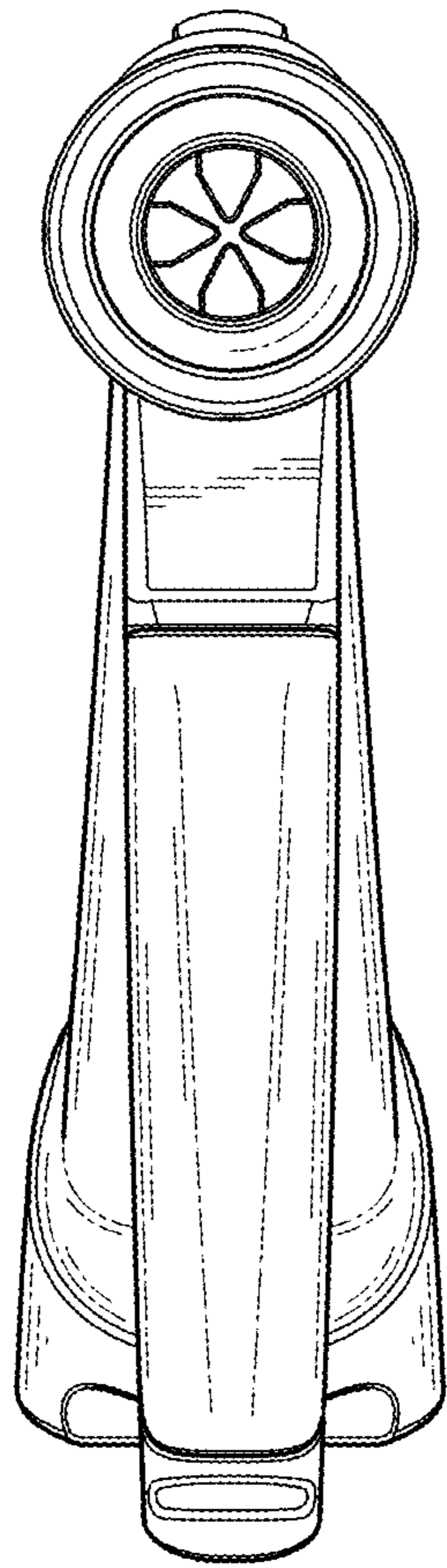


FIG. 2

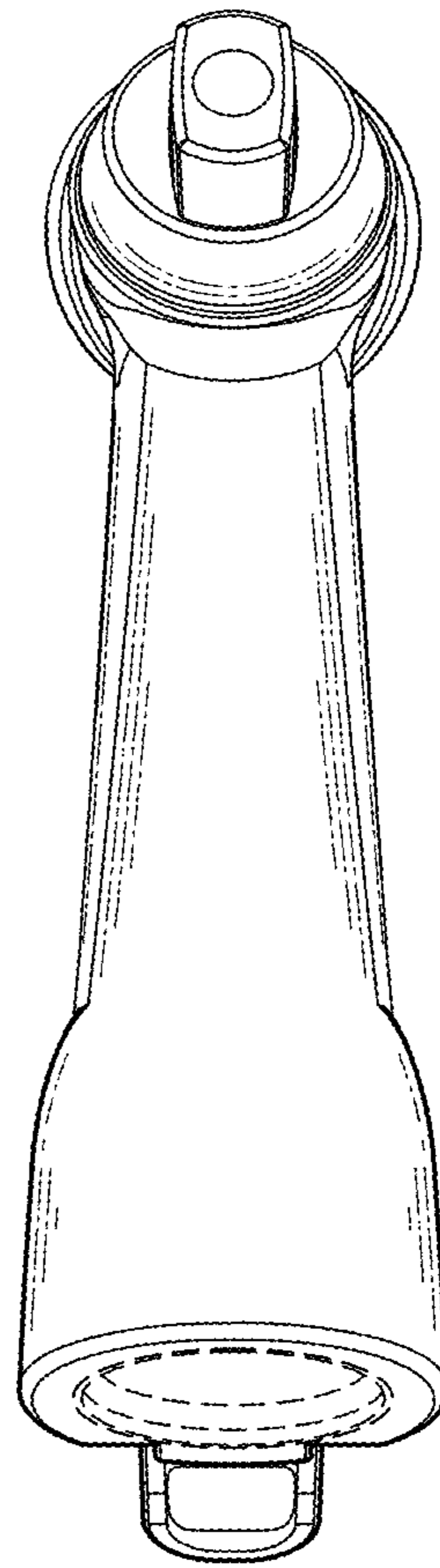


FIG. 3

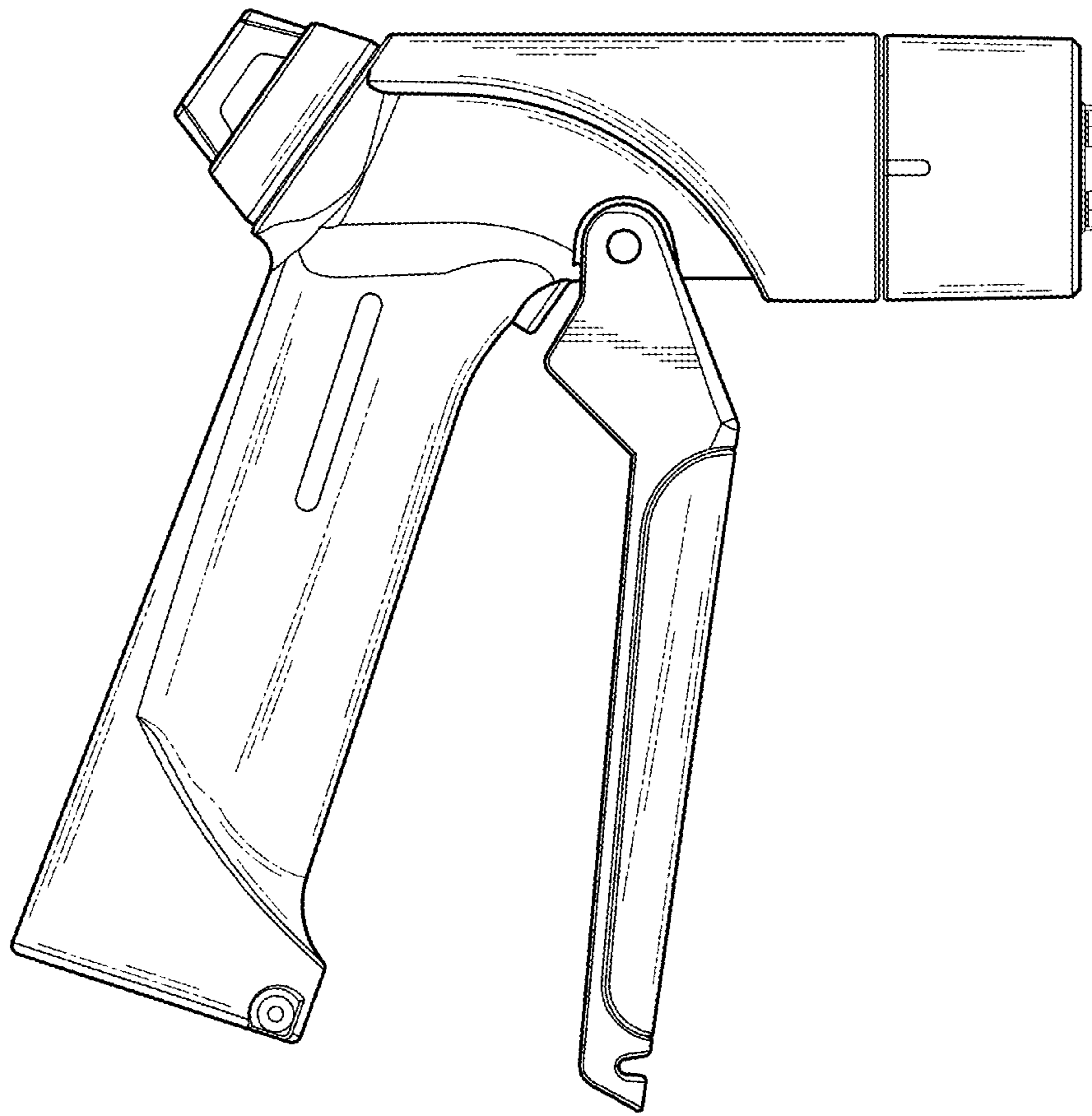


FIG.4



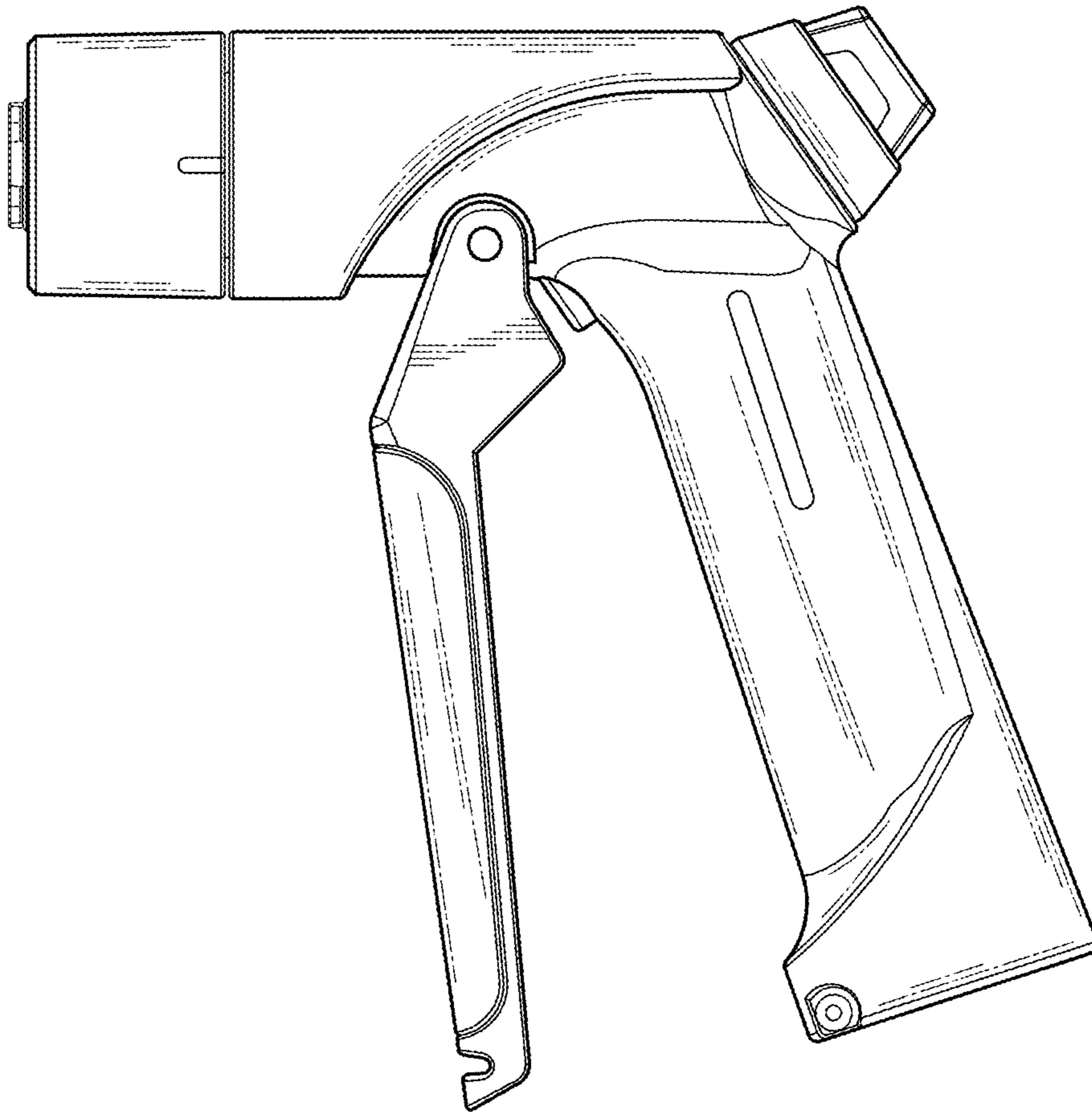


FIG.5

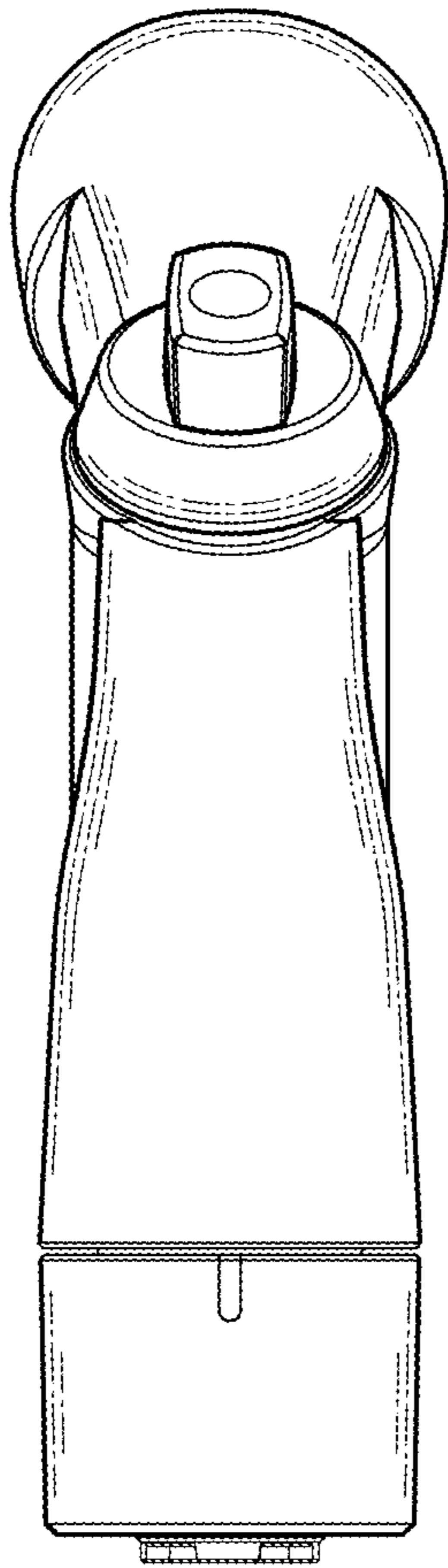


FIG. 6

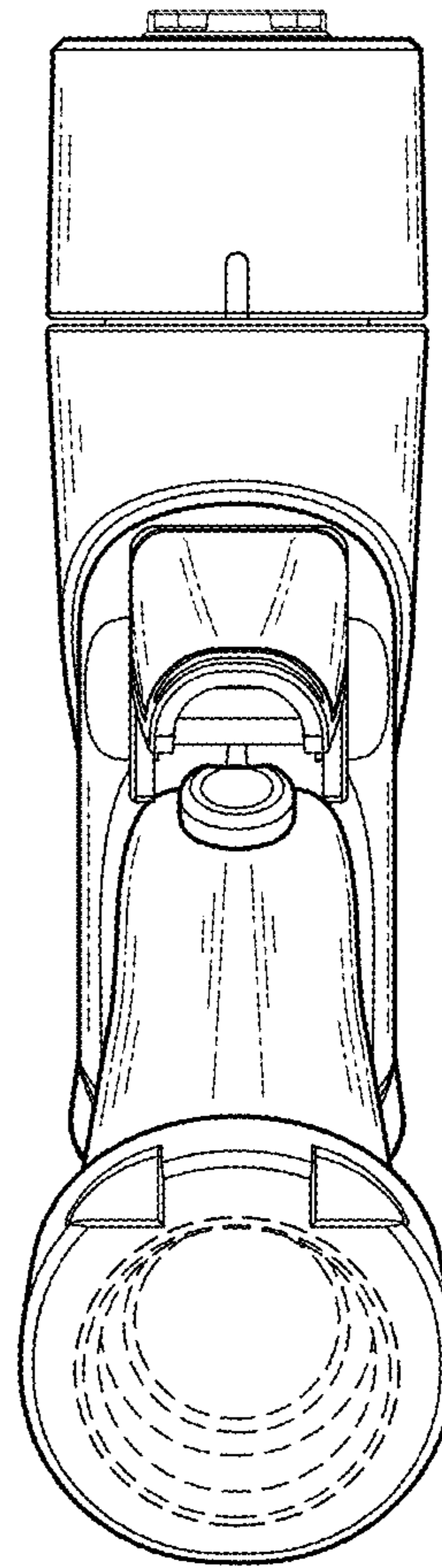


FIG. 7

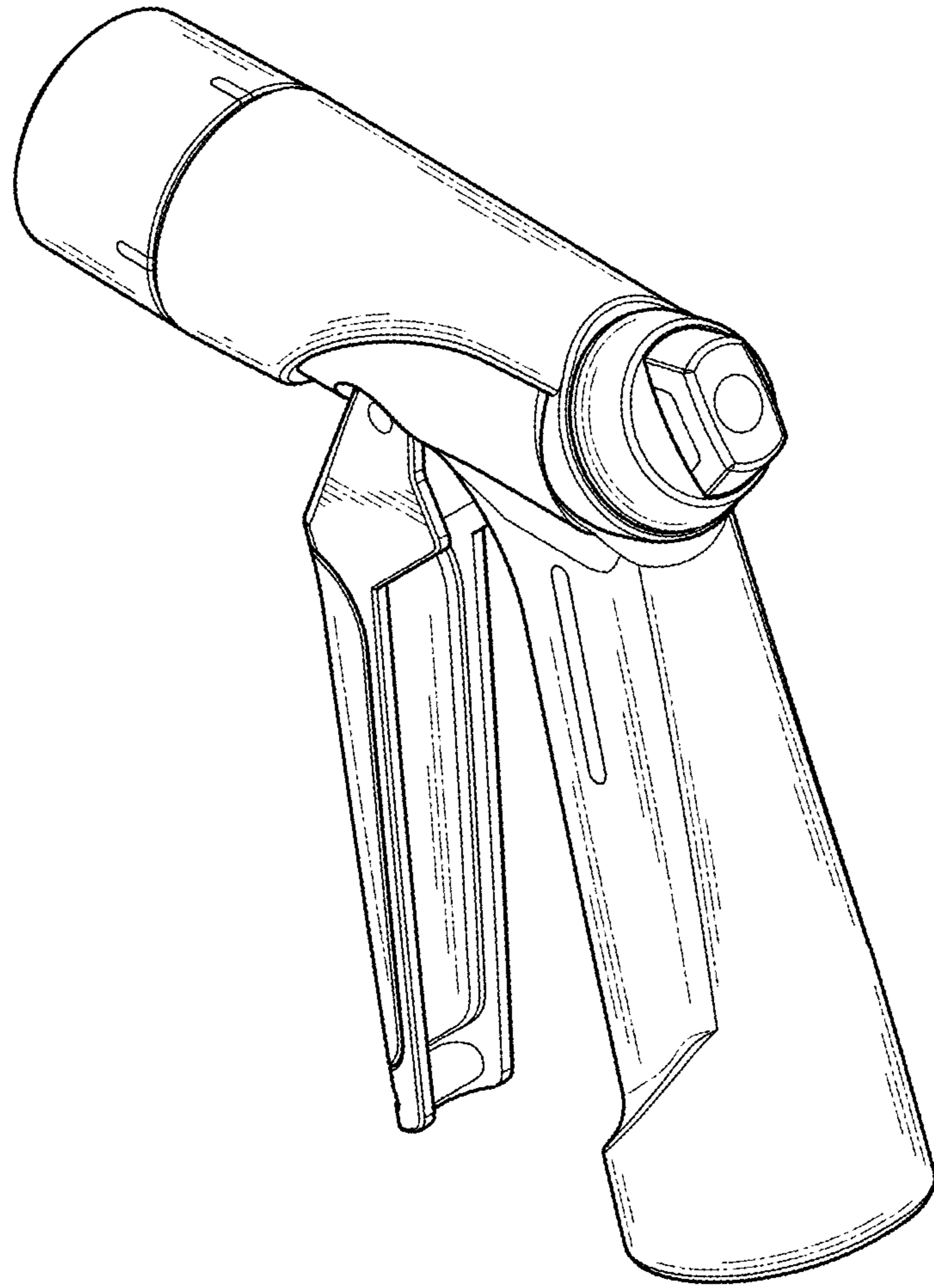


FIG.8