



US00D921833S

(12) **United States Design Patent** (10) **Patent No.:** **US D921,833 S**  
**Probst** (45) **Date of Patent:** **\*\* Jun. 8, 2021**

(54) **IRRIGATION DEVICE**  
(71) Applicant: **William E. Probst**, South Lake Tahoe, CA (US)

D643,508 S \* 8/2011 Wilkinson ..... D23/209  
D658,342 S \* 4/2012 Danak ..... D32/25  
D674,255 S 1/2013 Evans  
(Continued)

(72) Inventor: **William E. Probst**, South Lake Tahoe, CA (US)

**OTHER PUBLICATIONS**

Tea Infuser Jun. 13, 2017, moma.org Apr. 1, 2021, URL <https://store.moma.org/tea-infuser/122596-122596.html> (Year: 2017).\*

(\*\*) Term: **15 Years**

(Continued)

(21) Appl. No.: **29/728,208**

*Primary Examiner* — Jack Reickel

(22) Filed: **Mar. 17, 2020**

*Assistant Examiner* — Keith J Wilson

(51) **LOC (13) Cl.** ..... **23-01**

(74) *Attorney, Agent, or Firm* — Dunlap Bennett & Ludwig, PLLC

(52) **U.S. Cl.**

(57) **CLAIM**

USPC ..... **D23/209**

(58) **Field of Classification Search**

The ornamental design for an irrigation device, as shown and described.

USPC ..... D23/208–210, 213–215, 223, 224, 226, D23/229, 230, 266–269; D8/1; D7/400

**DESCRIPTION**

CPC ..... A61H 9/0021; A61H 33/00; B05B 1/00; B05B 1/14; B05B 1/185; B05B 1/08;

FIG. 1 is a top front perspective view of an irrigation device, showing my new design;

B05B 1/02; B05B 1/26; B05B 12/002;

FIG. 2 is a top plan view thereof;

B05B 1/18; B05B 9/01

FIG. 3 is a bottom plan view thereof;

See application file for complete search history.

FIG. 4 is a front elevation view thereof, the rear elevation view being a mirror image thereof;

(56) **References Cited**

**U.S. PATENT DOCUMENTS**

FIG. 5 is right-side elevation view thereof;

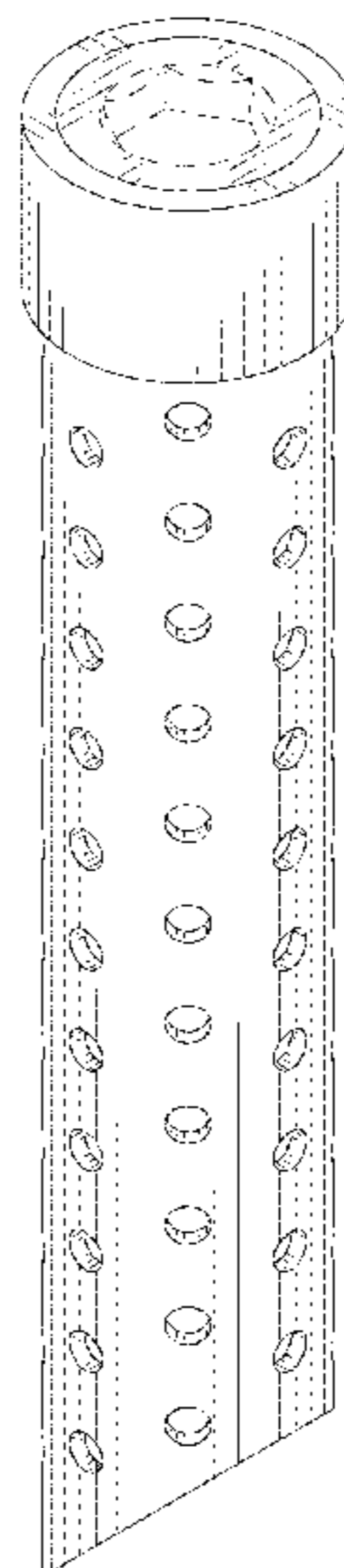
D253,223 S	10/1979	Manning, Jr.	
D278,075 S	3/1985	Dryden	
D278,076 S	3/1985	Dryden	
D294,964 S	3/1988	Mendenhall	
D303,913 S *	10/1989	Leap	D8/1
D318,403 S *	7/1991	Leap	D8/1
D353,872 S	12/1994	Allman	
D355,020 S	1/1995	Mehoudar	
D356,143 S	3/1995	Mehoudar	
D357,162 S	4/1995	Chacon	
5,901,497 A	5/1999	Bulvin	
D453,692 S	2/2002	Addink et al.	
D549,822 S	8/2007	Santora, Jr. et al.	
D616,963 S *	6/2010	Wesenberg	D23/214
D643,090 S *	8/2011	Cumberland	D23/209

FIG. 6 is a left-side elevation thereof; and,

FIG. 7 is a reduced perspective view of the irrigation device shown in use.

The evenly spaced dash-dash broken lines showing plant life in FIG. 7 depicts environmental subject matter that forms no part of the claimed design, while the remaining evenly spaced dash-dash broken lines shown in the drawings depict portions of the irrigation device that form no part of the claimed design, wherein the unevenly spaced dash-dot-dash represent the bounds of the present invention and form no part of the claimed design.

**1 Claim, 4 Drawing Sheets**



(56)

**References Cited**

## U.S. PATENT DOCUMENTS

D686,296 S \* 7/2013 Melzer ..... D23/209  
D691,418 S \* 10/2013 Minton ..... D7/400  
8,701,343 B2 4/2014 Wiese  
D713,221 S 9/2014 Meyer et al.  
D715,897 S 10/2014 Spraw et al.  
D757,896 S 5/2016 Aquilina et al.  
D773,014 S \* 11/2016 Pale ..... D23/209  
D790,298 S 6/2017 Andrews et al.  
D797,904 S 9/2017 Smith et al.  
9,802,844 B2 \* 10/2017 Elliott ..... C02F 1/50  
D833,238 S 11/2018 Ciudaj  
D842,968 S \* 3/2019 Tsai ..... D23/214  
D855,420 S 8/2019 Dubiel et al.  
D879,242 S \* 3/2020 Trunner ..... D23/209  
D884,865 S \* 5/2020 Damon ..... D23/365  
D902,651 S \* 11/2020 Lee ..... D7/400  
2005/0042030 A1 2/2005 Fu  
2012/0260568 A1 10/2012 King  
2013/0112765 A1 5/2013 Mercnik et al.  
2016/0073596 A1 3/2016 Pals  
2018/0235158 A1 8/2018 Iorio

## OTHER PUBLICATIONS

The Deep Drip 8 in. Watering Stakes from Green King Jun. 13, 2017, moma.org Apr. 1, 2021.; URL <https://www.homedepot.com/p/DEEP-DRIP-8-in-Watering-Stake-2-Pack-GKDD008-2pk/> (Year: 2016).\*

2" Commercial Floor Drain Strainer, 6" Tall, Perforated Stainless Steel Aug. 31, 2016, Amazon.com Apr. 1, 2021.; URL <https://www.amazon.com/Commercial-Floor-Strainer-Perforated-Stainless/dp/B01LA33QTW> (Year: 2016).\*

\* cited by examiner

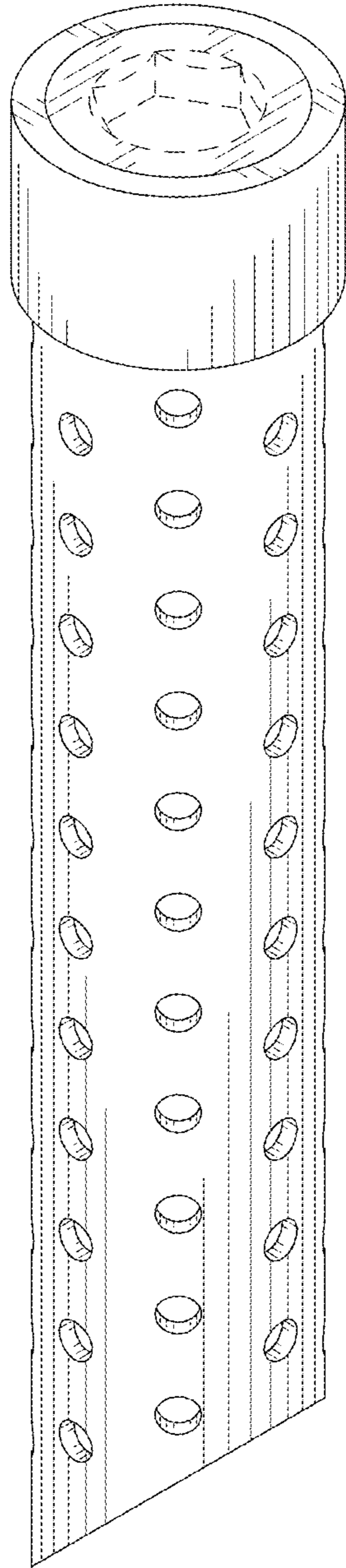


FIG. 1

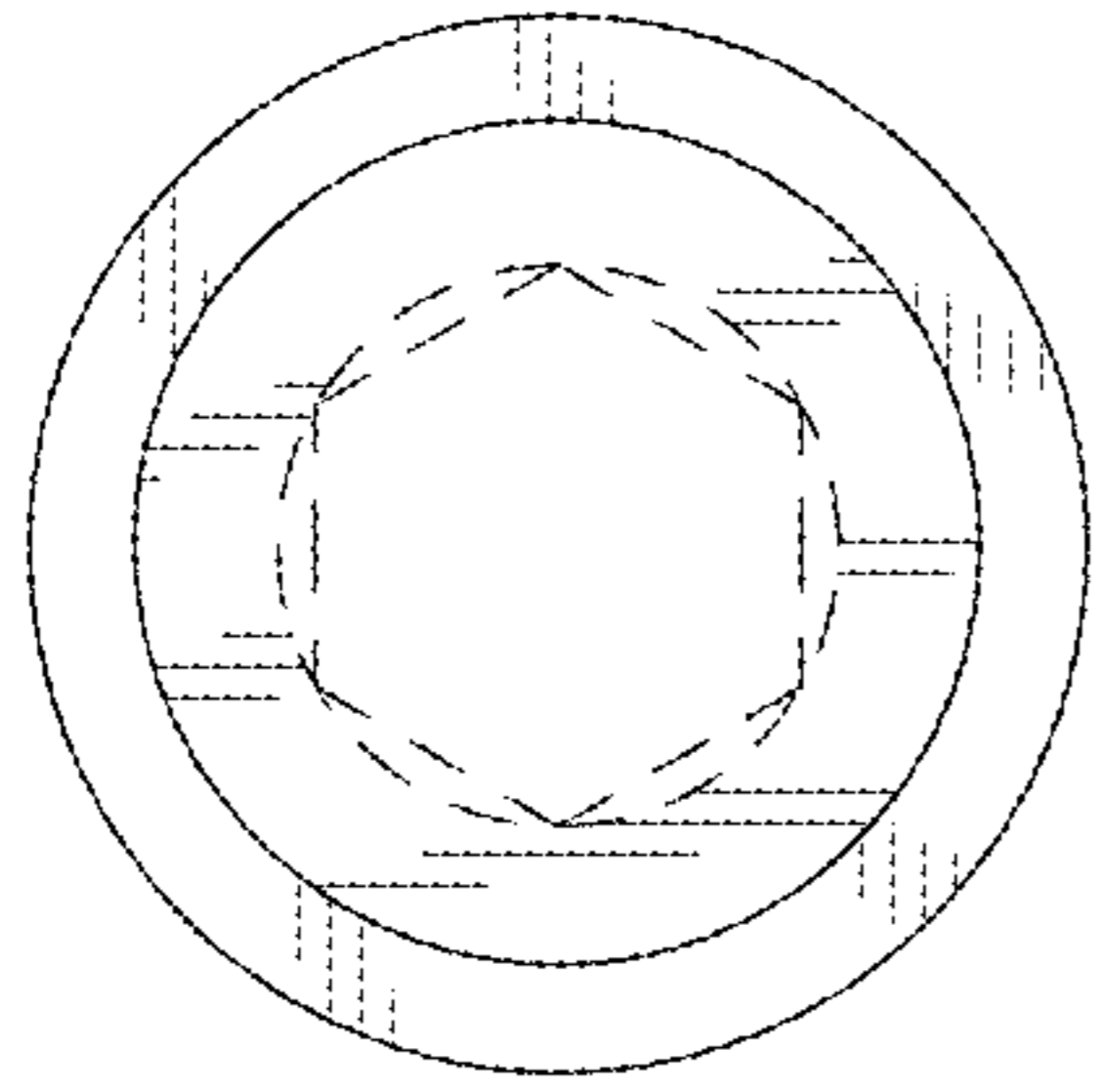


FIG. 2

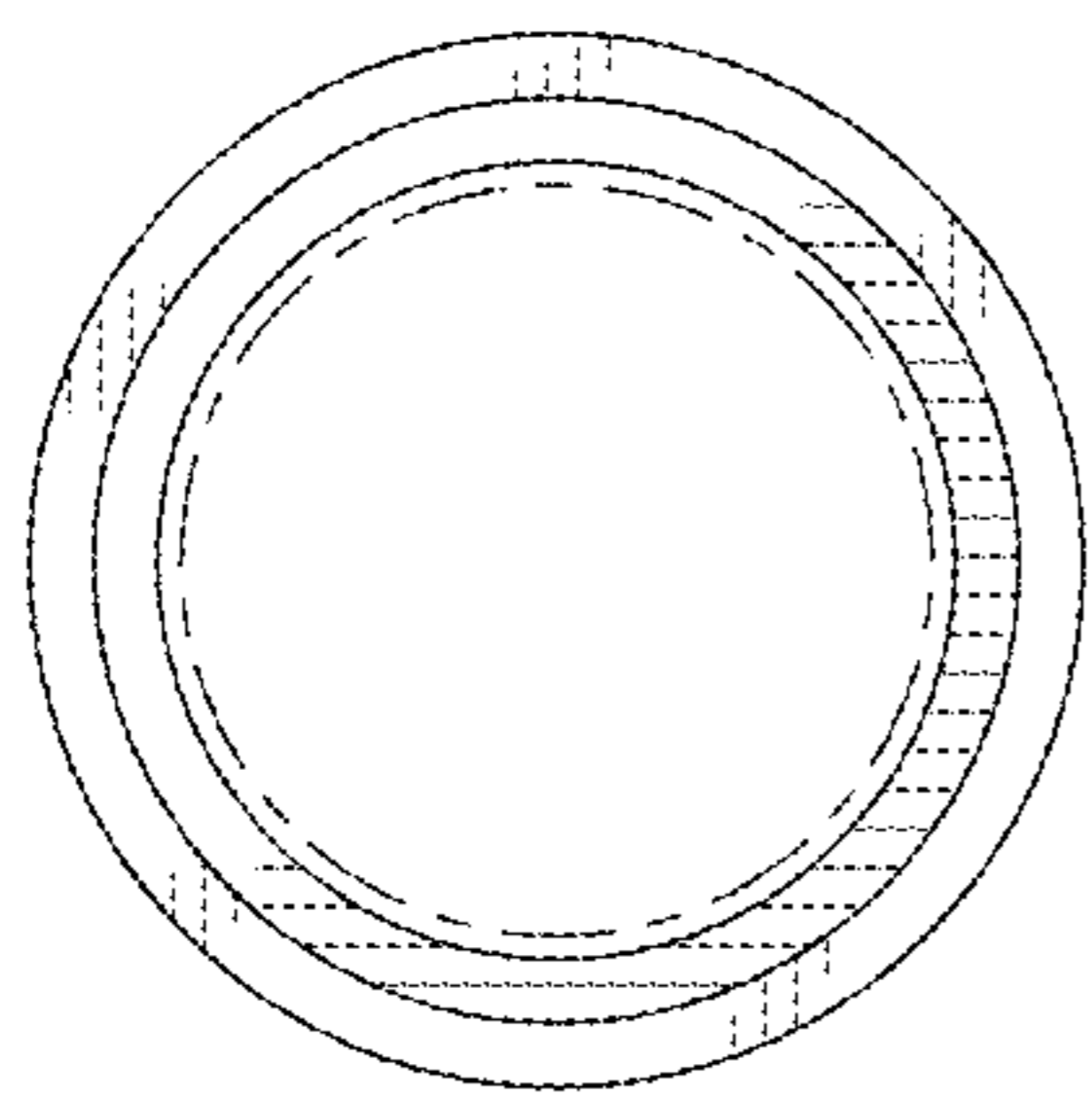


FIG. 3

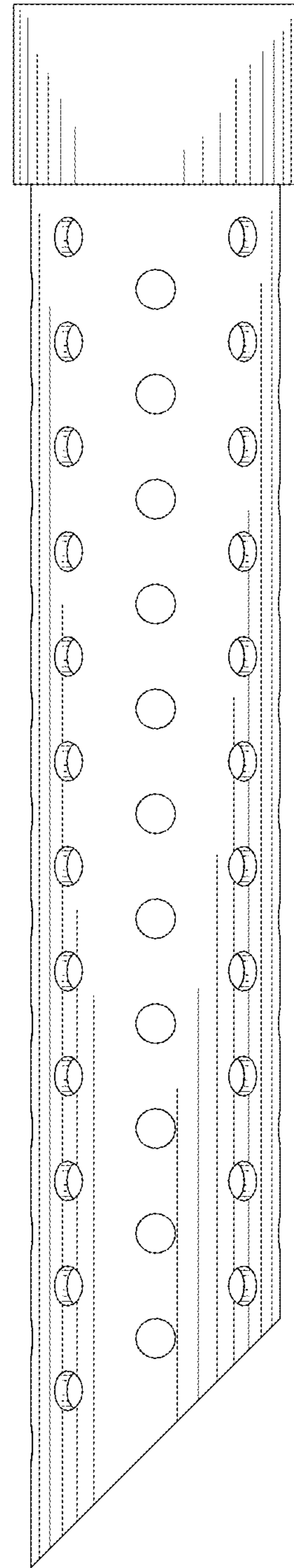


FIG. 4

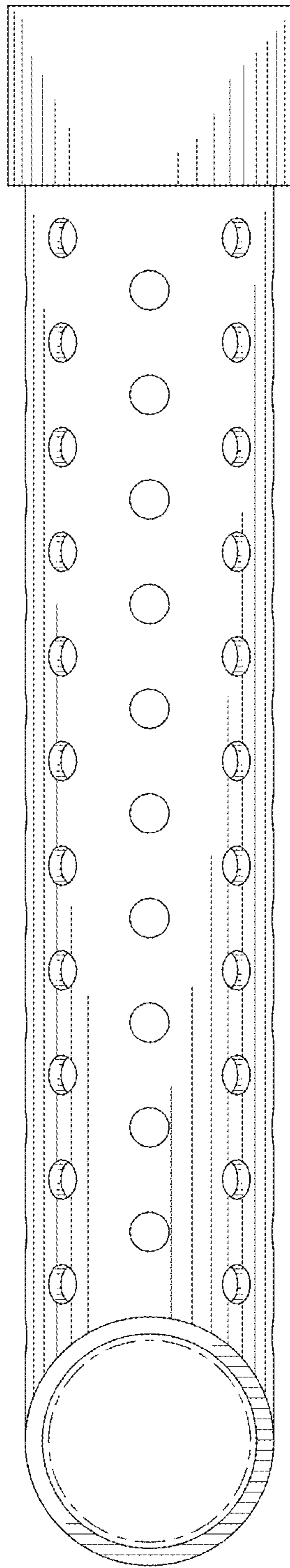


FIG. 5

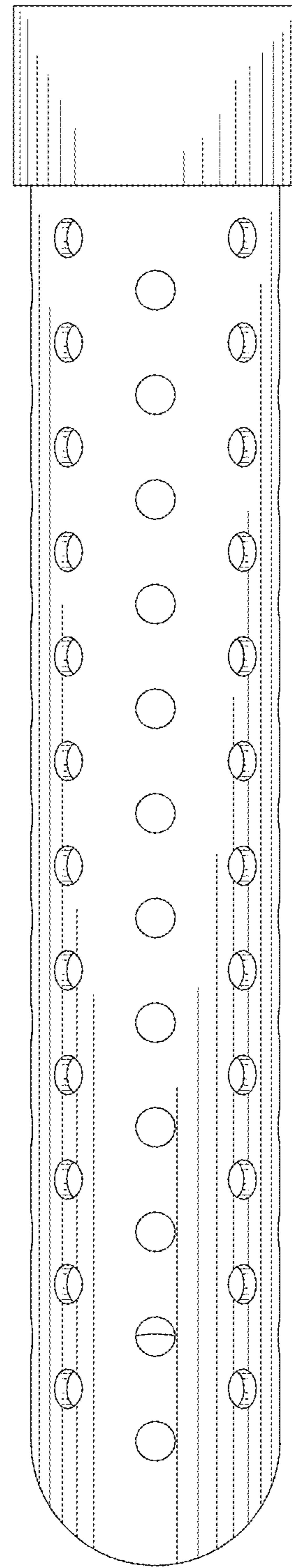


FIG. 6

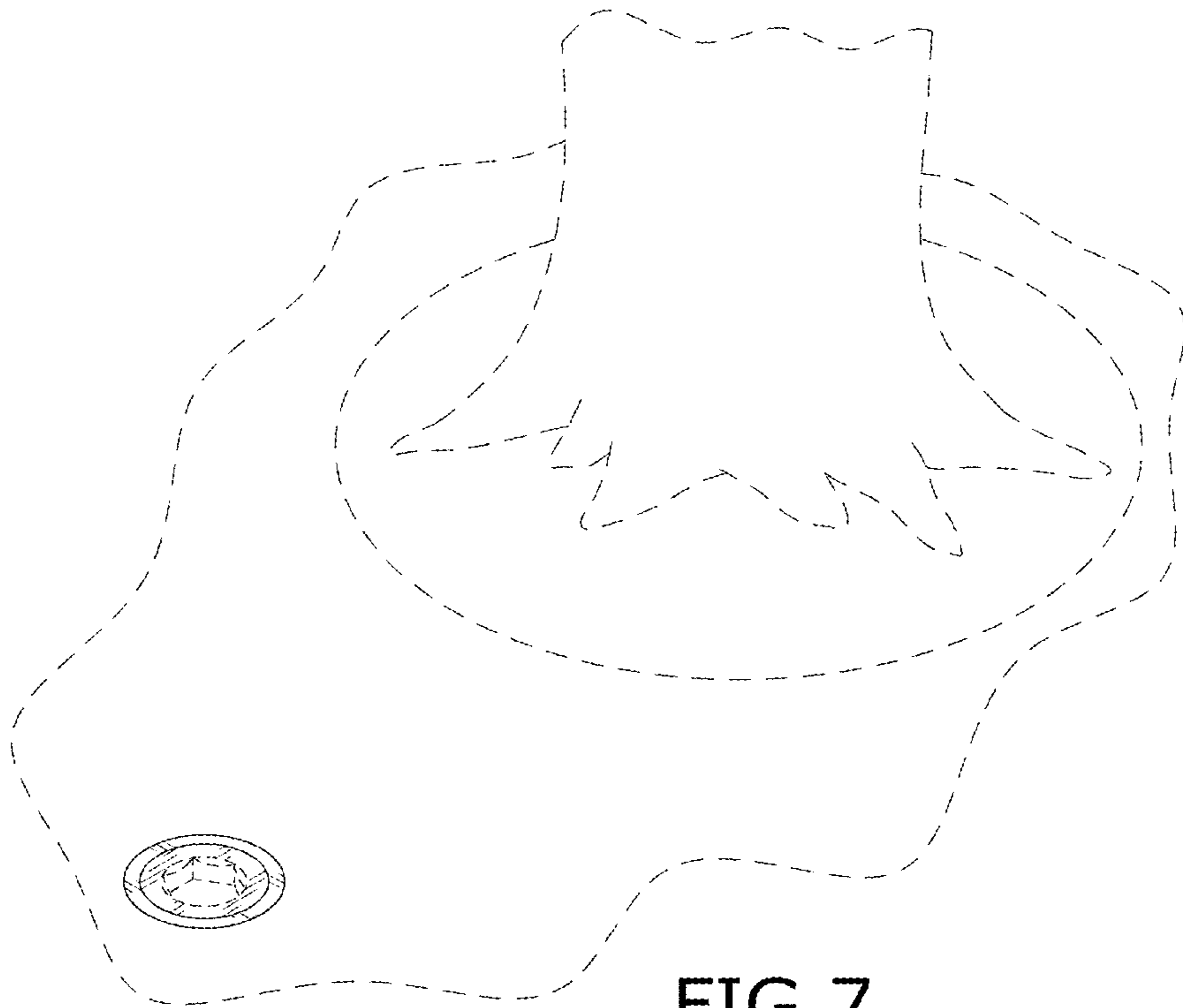


FIG. 7