



US00D921832S

(12) **United States Design Patent** (10) **Patent No.:** **US D921,832 S**
Arashima (45) **Date of Patent:** **** Jun. 8, 2021**

(54) **STORAGE CONTAINER FOR HIGH PRESSURE LIQUID OR GAS**

(71) Applicant: **THE JAPAN STEEL WORKS, LTD.**,
Tokyo (JP)

(72) Inventor: **Hironobu Arashima**, Muroran (JP)

(73) Assignee: **THE JAPAN STEEL WORKS, LTD.**,
Tokyo (JP)

(**) Term: **15 Years**

(21) Appl. No.: **35/507,453**

(22) Filed: **Feb. 28, 2019**

(80) **Hague Agreement Data**

Int. Filing Date: **Feb. 28, 2019**

Int. Reg. No.: **DM/202735**

Int. Reg. Date: **Feb. 28, 2019**

Int. Reg. Pub. Date: **Sep. 20, 2019**

(30) **Foreign Application Priority Data**

Sep. 6, 2018 (JP) 2018-019446

Sep. 6, 2018 (JP) 2018-019447

(51) **LOC (13) Cl.** **23-01**

(52) **U.S. Cl.**

USPC **D23/206**

CPC **B21D 51/26 (2013.01)**

(58) **Field of Classification Search**

USPC D9/500, 516, 530, 763-783, 521, 545,
D9/434, 435, 454; D23/205, 211.1,
D23/211.2, 206; 220/660, 669, 675;
215/381-385

CPC B21D 51/26; B21D 51/383; B29C 66/71;
B65D 1/40; B65D 1/0223; B65D 1/0246;
B65D 17/163; B65D 17/165; B65D
25/00; B65D 2215/02; B65D 2517/0094;
B65D 2519/00502; B65D 2543/00296;
Y10T 29/49826; F17C 13/06

See application file for complete search history.

(56) **References Cited**

U.S. PATENT DOCUMENTS

3,006,360 A * 10/1961 Oxenham F17C 13/06
137/382

3,648,885 A * 3/1972 Kitsuda F17C 13/06
220/727

3,776,412 A * 12/1973 Mink F17C 13/06
220/726

D243,530 S * 3/1977 Bodine D23/205

4,098,416 A * 7/1978 Fawley B62B 1/264
280/47.24

D252,786 S * 9/1979 Doerner D6/716.7

4,332,331 A * 6/1982 Fawley F17C 13/002
137/382

(Continued)

Primary Examiner — Richard E Chilcot

(74) *Attorney, Agent, or Firm* — SGPatents PLLC

(57) **CLAIM**

The ornamental design for a storage container for high pressure liquid or gas, as shown and described.

DESCRIPTION

2. Storage container for high pressure liquid or gas

2.1 : Front

2.2 : Back

2.3 : Right

2.4 : Left

2.5 : Top

2.6 : Bottom

2.7 : Cross sectional

2.8 : Perspective

2.9 : Perspective

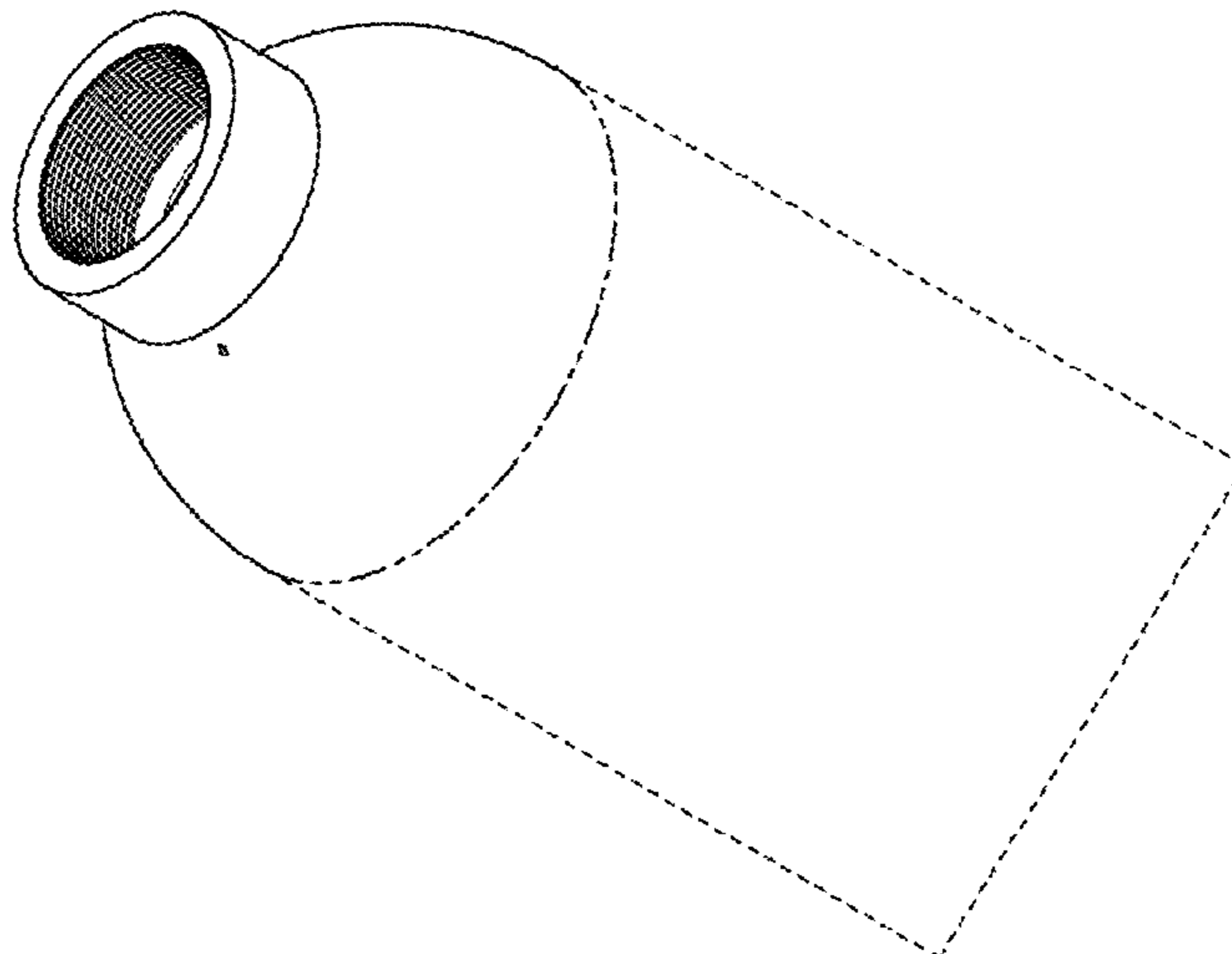
2.10 : Enlarged view of 2.4

2.11 : Enlarged

2.12 : Enlarged

The dashed lines illustrate parts of the storage container that form not part of the claimed design. The dashed-dotted-dashed broken lines illustrate only the boundaries of the claimed parts and the disclaimed parts.

1 Claim, 12 Drawing Sheets



(56)

References Cited

U.S. PATENT DOCUMENTS

D274,982 S * 8/1984 Hunter D9/455
 D287,265 S * 12/1986 Edwards D23/206
 4,645,091 A * 2/1987 Madden F17C 13/06
 215/223
 4,690,295 A * 9/1987 Wills F17C 1/16
 220/203.08
 D294,169 S * 2/1988 Kostanecki D23/260
 D294,170 S * 2/1988 Kostanecki D23/260
 D294,171 S * 2/1988 Kostanecki D23/260
 D304,676 S * 11/1989 Glynn D8/395
 4,967,923 A * 11/1990 Wren F17C 13/06
 137/382
 5,004,117 A * 4/1991 Kitsuda F17C 13/002
 137/382
 D370,251 S * 5/1996 Nakahara D23/260
 D404,464 S * 1/1999 Niemczyk D23/233
 D427,964 S * 7/2000 Smith D13/103
 D470,221 S * 2/2003 Niemczyk D23/233
 7,195,031 B2 * 3/2007 Trettin F17C 1/00
 137/355.16
 D559,348 S * 1/2008 Dias D23/206
 D566,807 S * 4/2008 Oliveira D23/205
 7,373,947 B2 * 5/2008 Trettin F17C 13/084
 137/355.16

7,415,988 B2 * 8/2008 Trettin F17C 1/00
 137/355.16
 D576,542 S * 9/2008 Johnson D12/345
 D576,702 S * 9/2008 Aguiar D23/206
 D643,122 S * 8/2011 Basford D24/164
 D643,123 S * 8/2011 Basford D24/164
 D643,124 S * 8/2011 Basford D24/164
 D659,834 S * 5/2012 Basford D24/164
 D660,434 S * 5/2012 Basford D24/164
 8,528,586 B2 * 9/2013 Cannet F17C 13/04
 137/382
 D692,979 S * 11/2013 Quick D23/206
 D692,980 S * 11/2013 Quick D23/206
 D692,981 S * 11/2013 Fowler D23/206
 D709,163 S * 7/2014 Deruntz D23/206
 D747,438 S * 1/2016 Sanchez D23/206
 D758,526 S * 6/2016 Quail D23/205
 D759,787 S * 6/2016 Molock D23/206
 D768,266 S * 10/2016 Pareek D23/233
 D786,394 S * 5/2017 Frenal D23/206
 D786,395 S * 5/2017 Frenal D23/206
 D786,396 S * 5/2017 Frenal D23/206
 D786,397 S * 5/2017 Frenal D23/206
 D786,398 S * 5/2017 Ligonesche D23/206
 D827,764 S * 9/2018 Mangeot-Gehin D23/202
 D845,435 S * 4/2019 Pedrosa D23/225
 10,753,541 B2 * 8/2020 Aguiar F17C 13/084

* cited by examiner

2.1



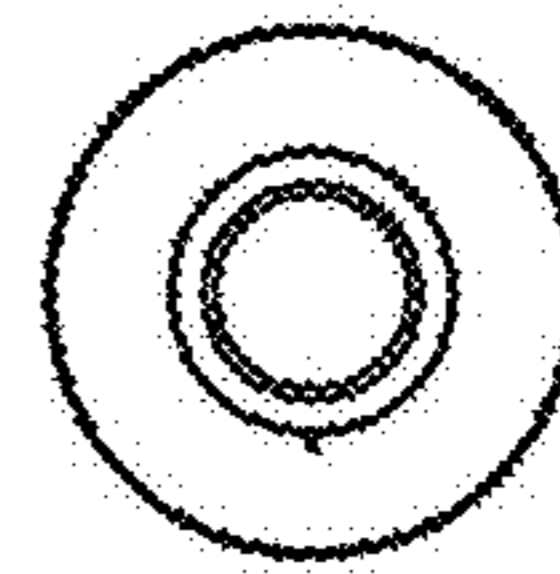
2.2



2.3



2.4



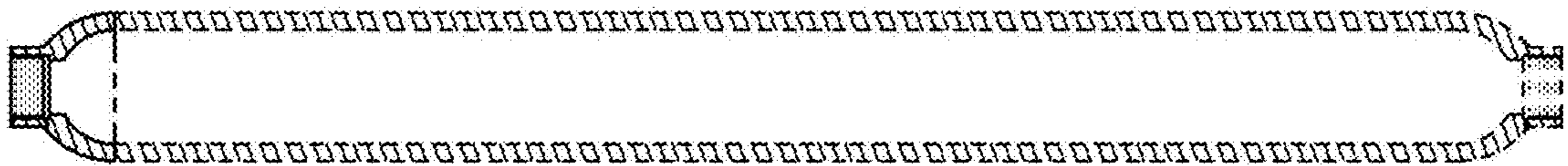
2.5



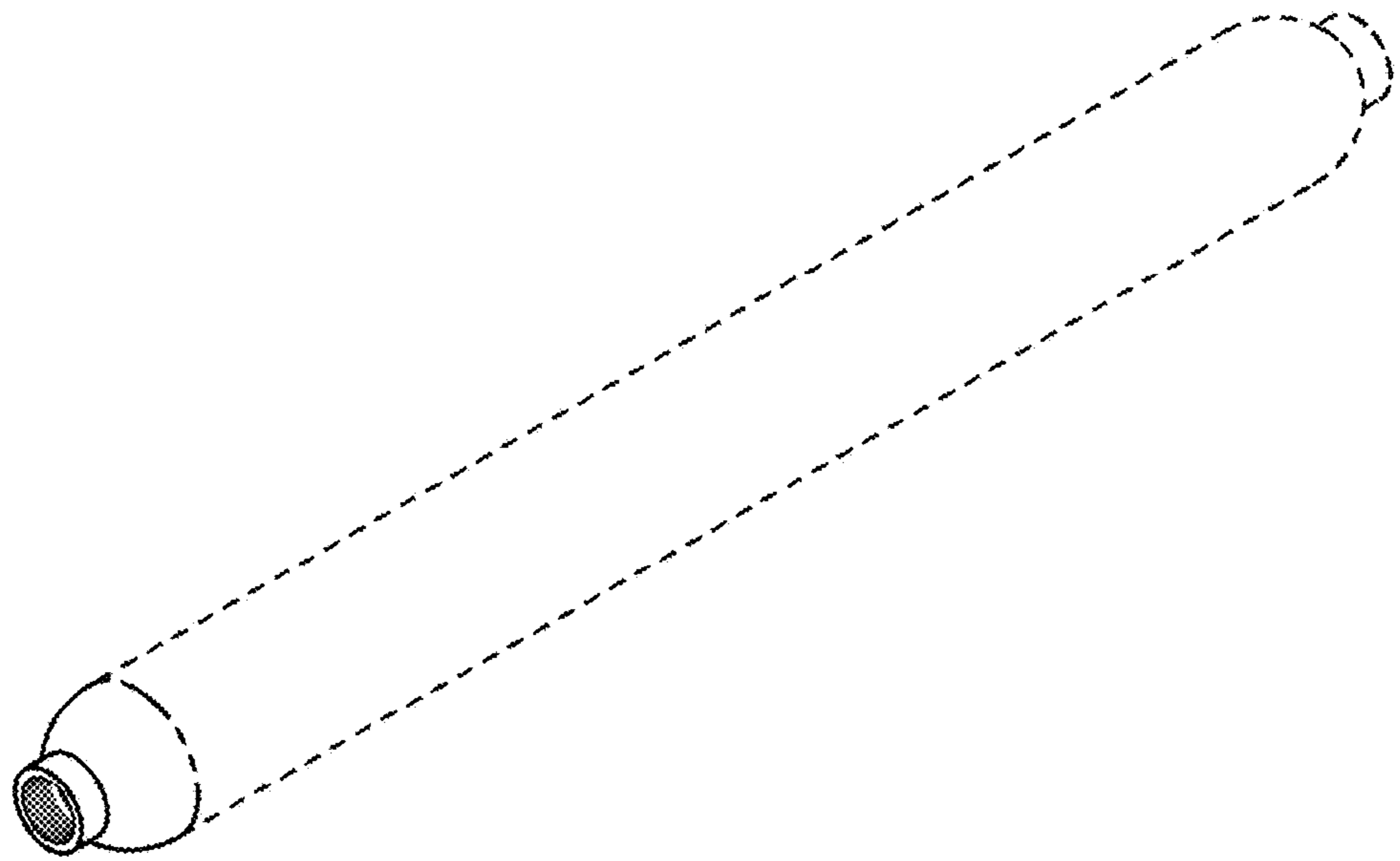
2.6



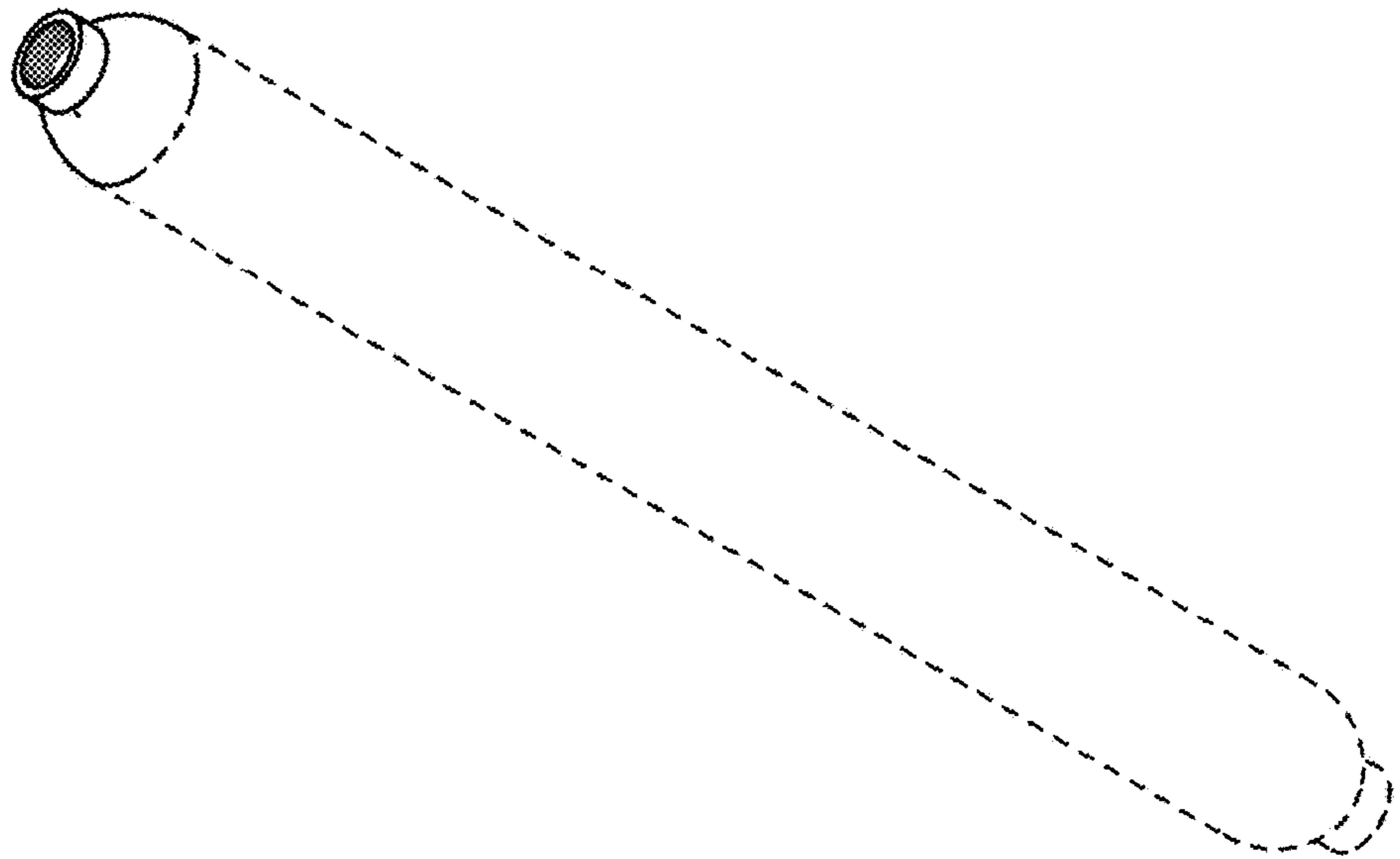
2.7



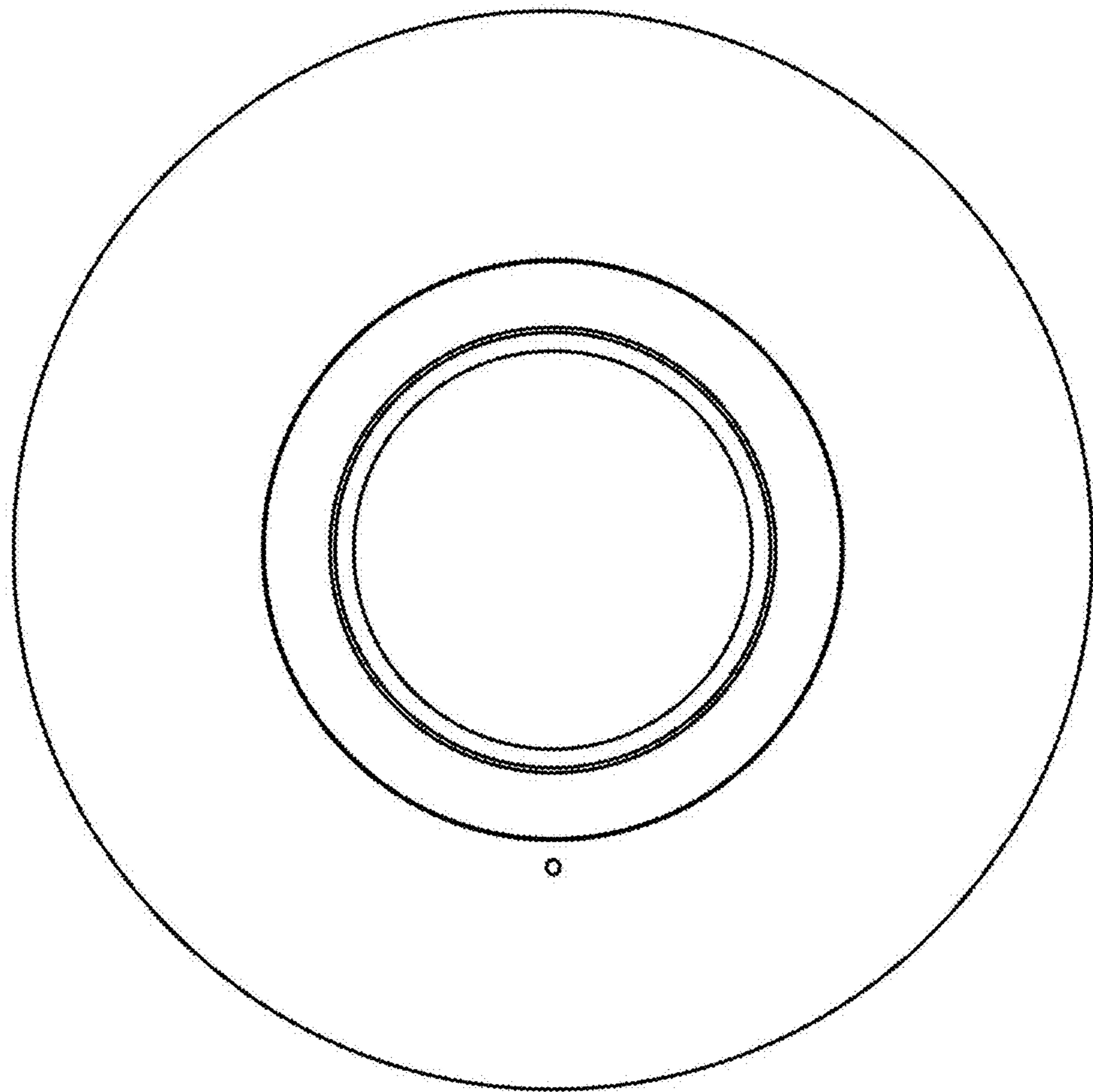
2.8



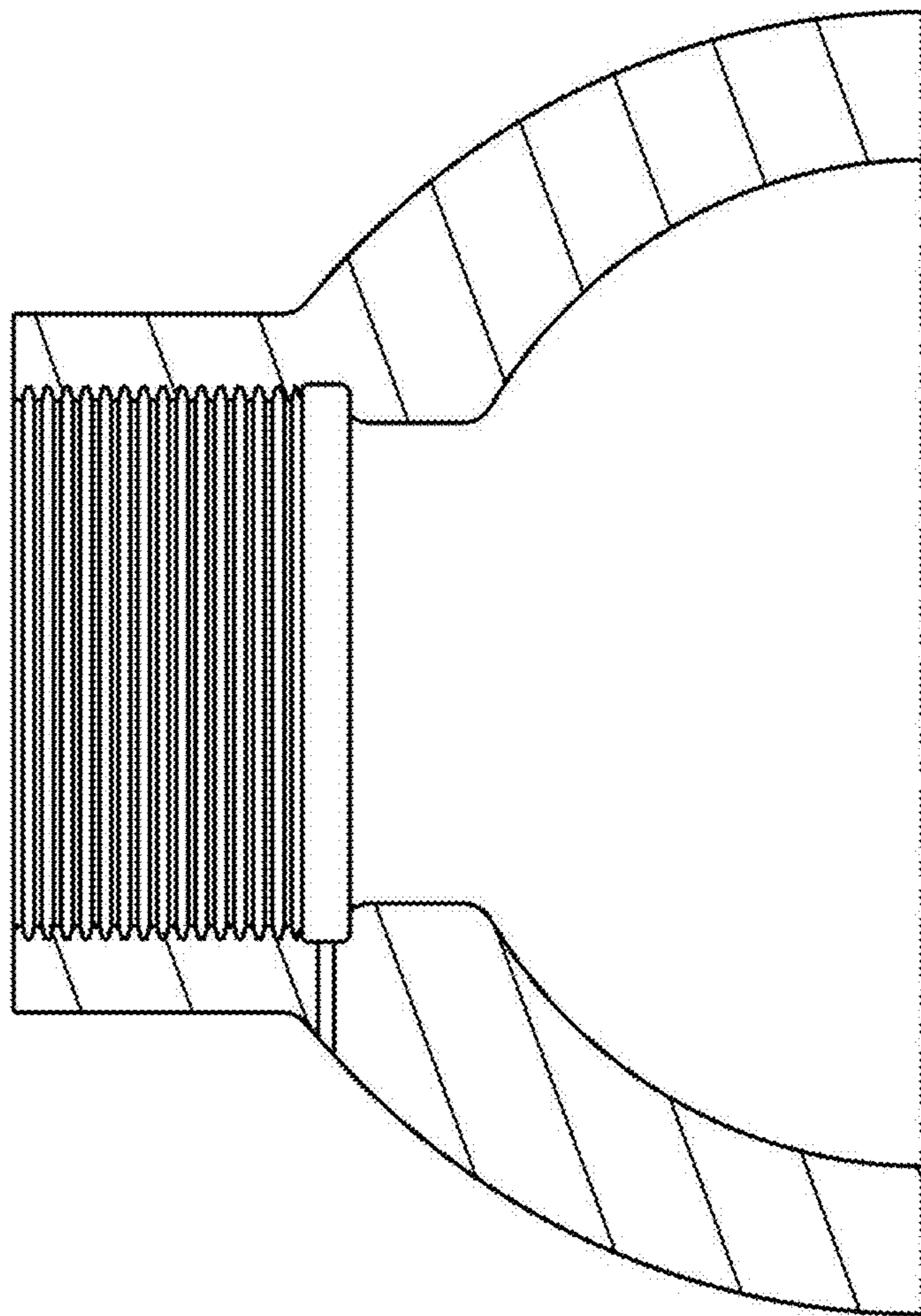
2.9



2.10



2.11



2.12

