



US00D921830S

(12) **United States Design Patent**
Liu

(10) **Patent No.:** **US D921,830 S**
(45) **Date of Patent:** **** Jun. 8, 2021**

(54) **FLY REPELLER FAN**

(71) Applicant: **Huijun Liu**, Shenzhen (CN)

(72) Inventor: **Huijun Liu**, Shenzhen (CN)

(**) Term: **15 Years**

(21) Appl. No.: **29/761,364**

(22) Filed: **Dec. 9, 2020**

(51) **LOC (13) Cl.** **22-06**

(52) **U.S. Cl.**
USPC **D22/120**

(58) **Field of Classification Search**
USPC D22/120, 122, 124; 43/125, 132.1, 137,
43/139, 112; D30/119, 199; 416/59-60,
416/501; D21/725, 729; D10/120-121
CPC A01M 1/24; A01M 5/00; A01M 29/06;
A01M 29/34
See application file for complete search history.

(56) **References Cited**

U.S. PATENT DOCUMENTS

5,003,721	A *	4/1991	Underwood	A01M 29/34 43/132.1
D654,979	S *	2/2012	Smith	D22/120
8,490,325	B2 *	7/2013	Gargiulo	A01M 29/34 43/137
D847,297	S *	4/2019	Hassman	D22/122
D864,347	S	10/2019	Li		
2013/0067798	A1 *	3/2013	Keltner	A01M 29/34 43/137

OTHER PUBLICATIONS

HF-769 IS09001 BSCI Audited Triangle Shaped Shoo Fly Table Guard Away Outdoor Fans for Patio Keep Flies and Bugs Insects Away . . . https://www.alibaba.com/product-detail/HF-769-ISO9001-BSCI-Audited-Triangle_1600200167563.html?spm=a2700.wholesale.0.0.2f0f6318opE2Rk,1999-2021 (no exact date provided).*

* cited by examiner

Primary Examiner — Catherine R Oliver-Garcia

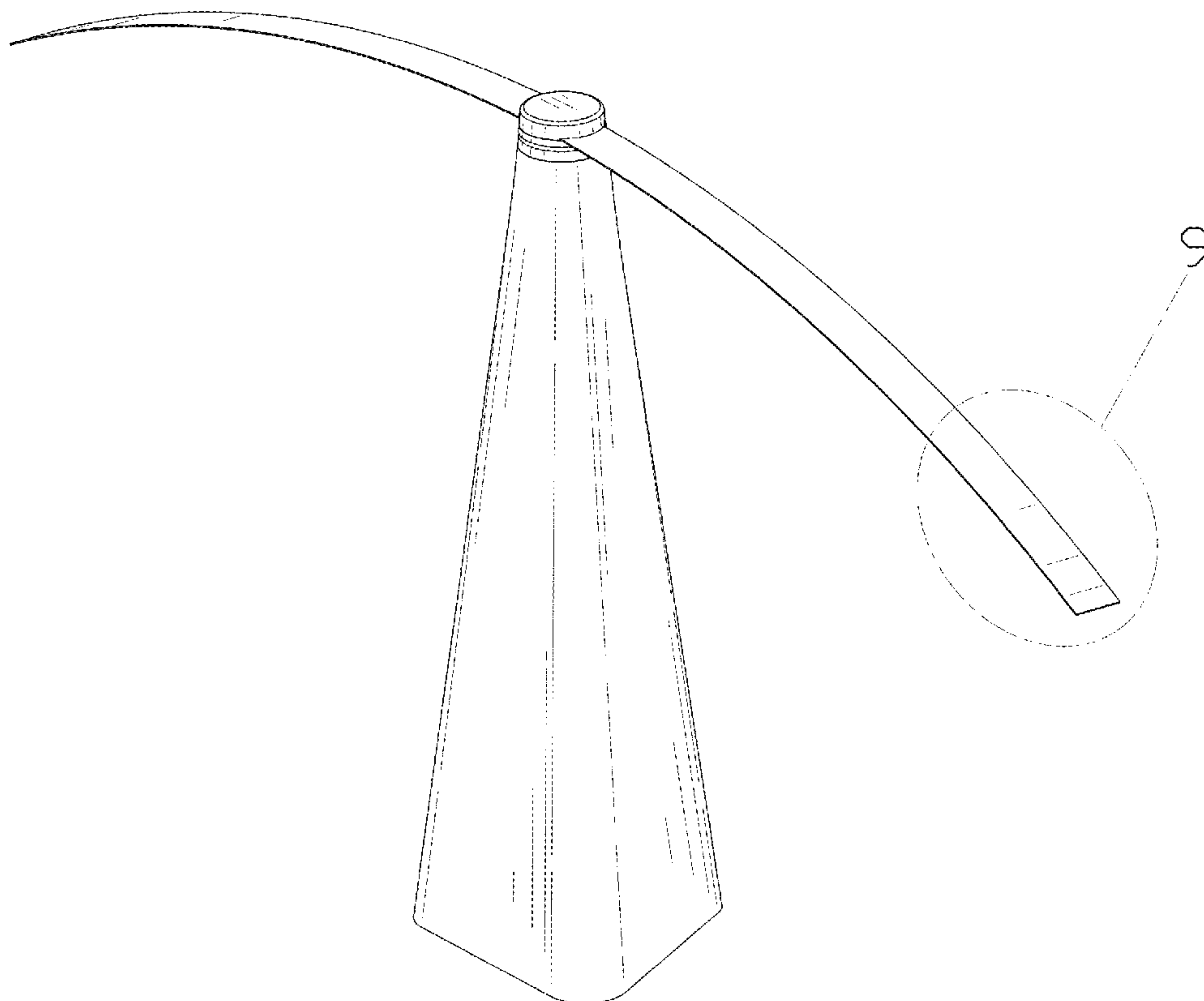
(57) **CLAIM**

The ornamental design for a fly repeller fan, as shown and described.

DESCRIPTION

FIG. 1 is a perspective view of a fly repeller fan showing my new design;
FIG. 2 is another perspective view thereof;
FIG. 3 is a front elevational view thereof;
FIG. 4 is a rear elevational view thereof;
FIG. 5 is a left side elevational view thereof;
FIG. 6 is a right side elevational view thereof;
FIG. 7 is a top plan view thereof;
FIG. 8 is a bottom plan view thereof; and,
FIG. 9 is an enlarged view of portion 9 shown in FIG. 1.
The broken lines in the drawings depict portions of the fly repeller fan that form no part of the claimed design.

1 Claim, 9 Drawing Sheets



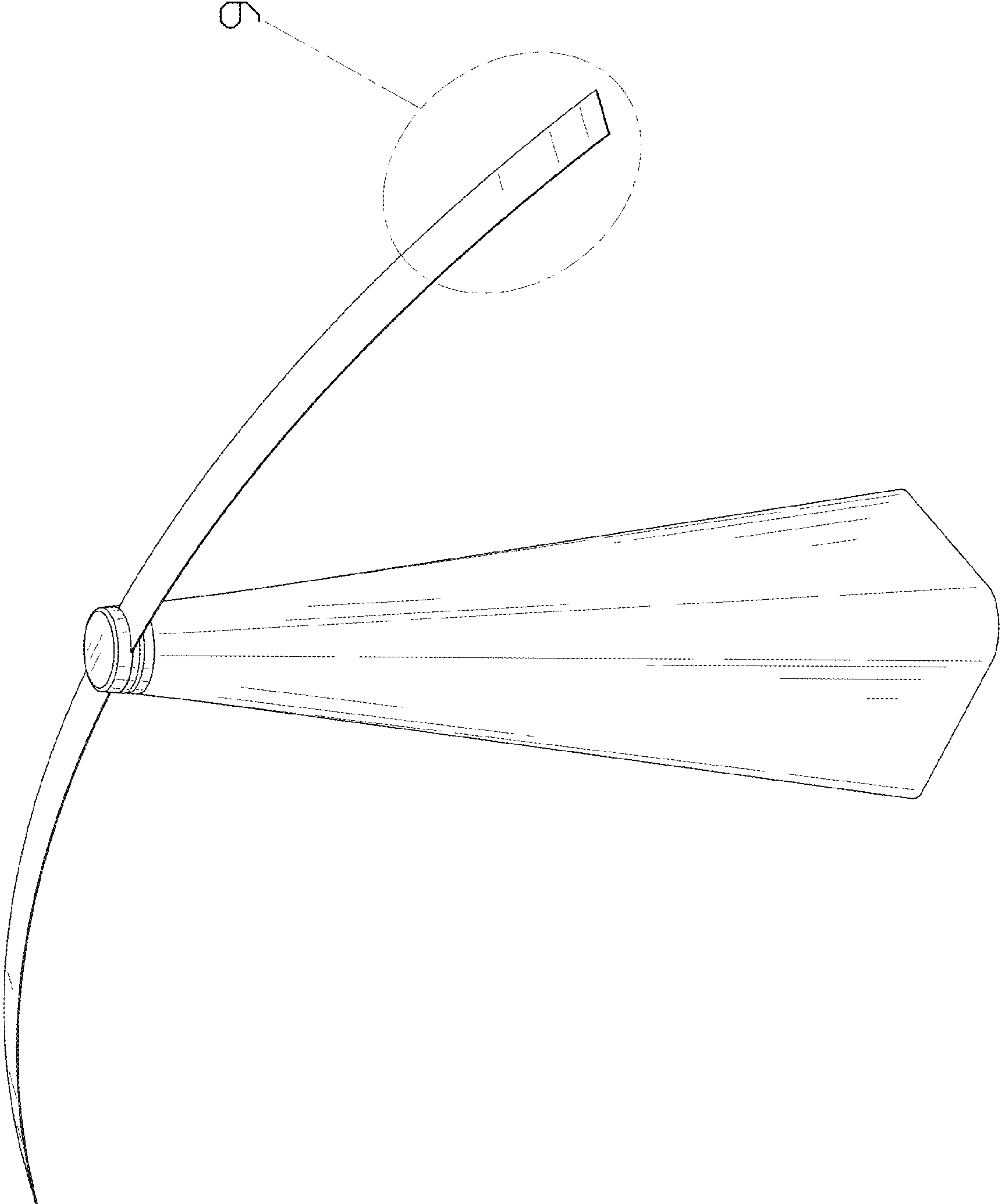


FIG. 1

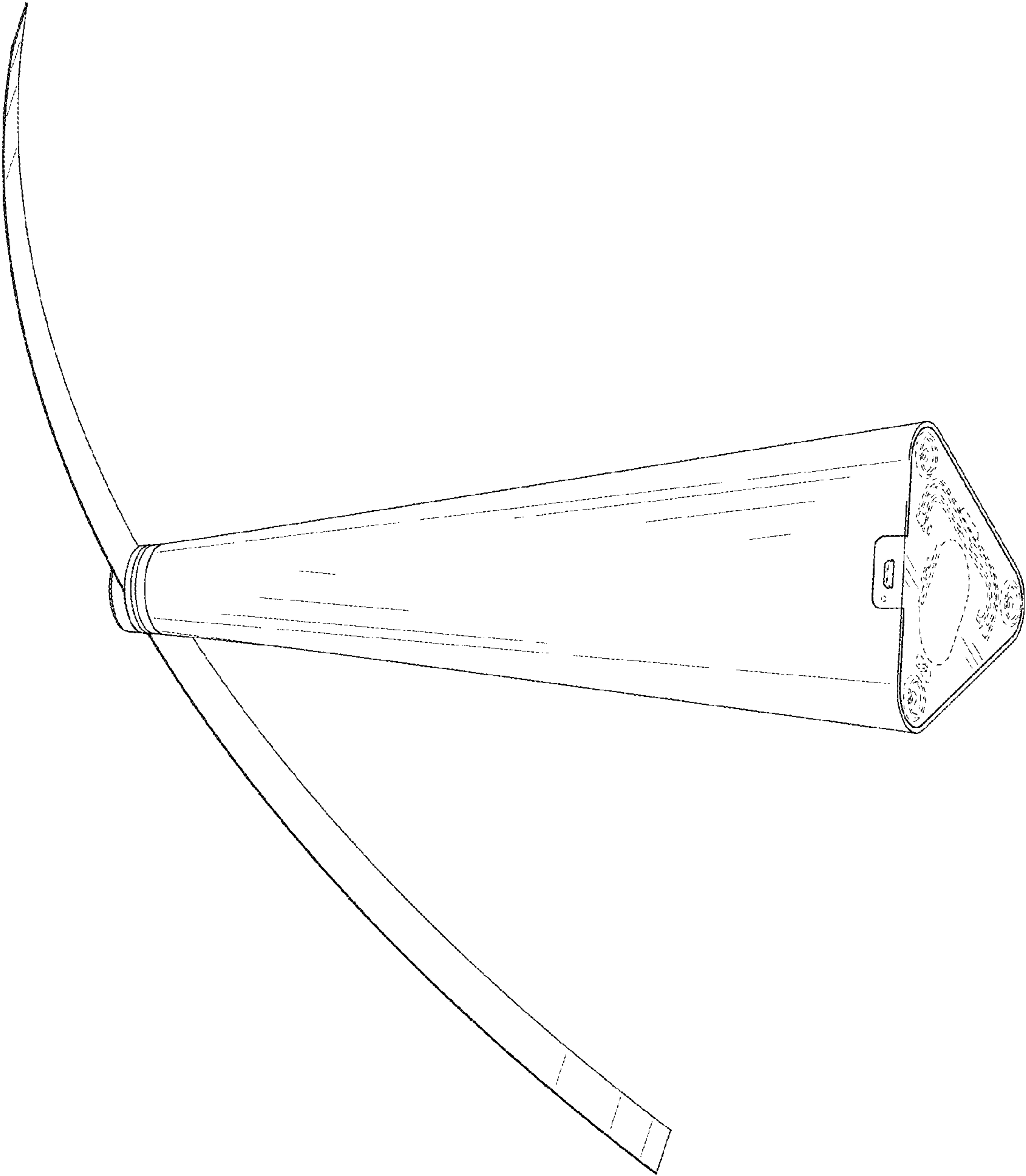


FIG. 2

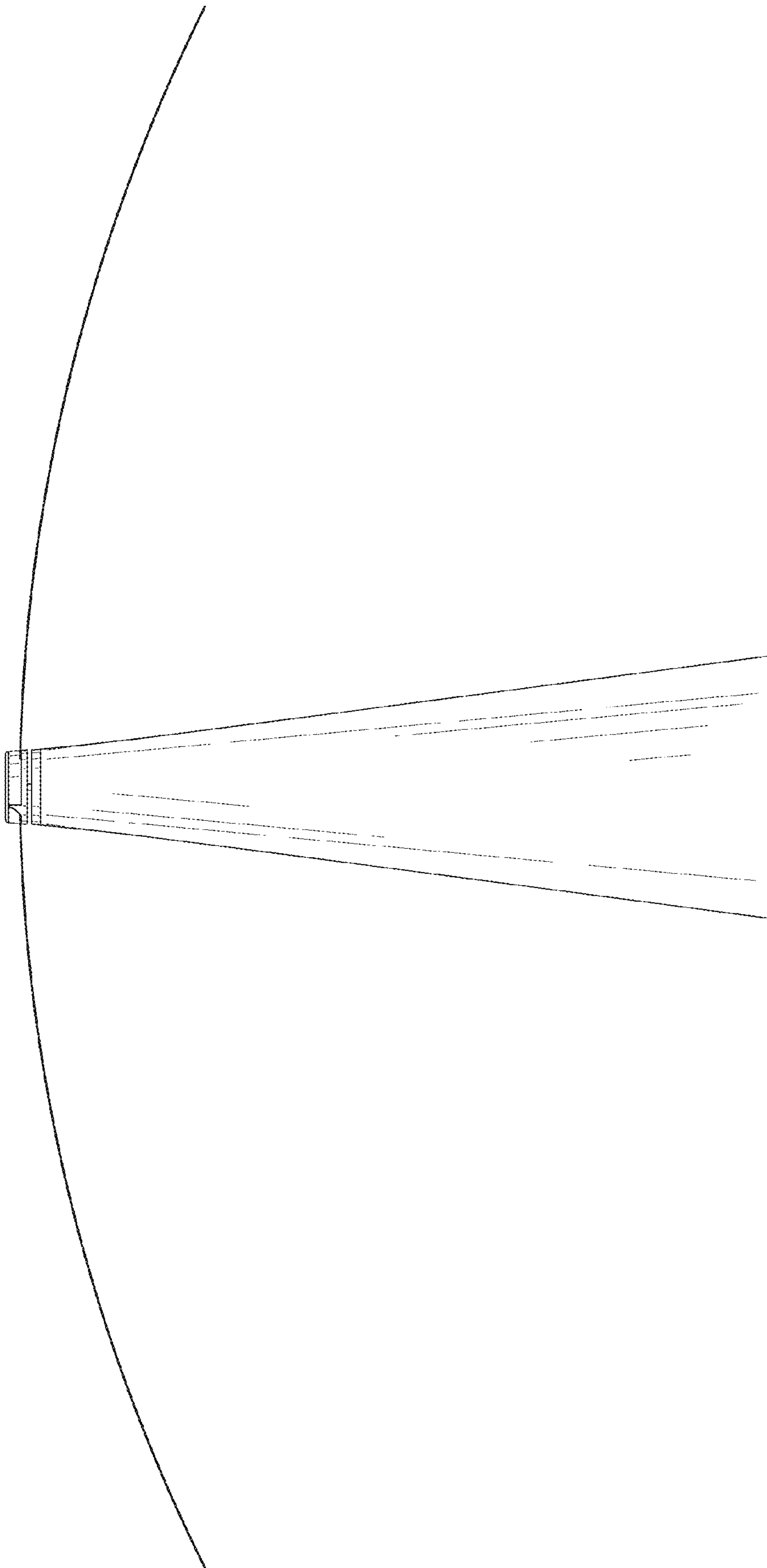


FIG. 3

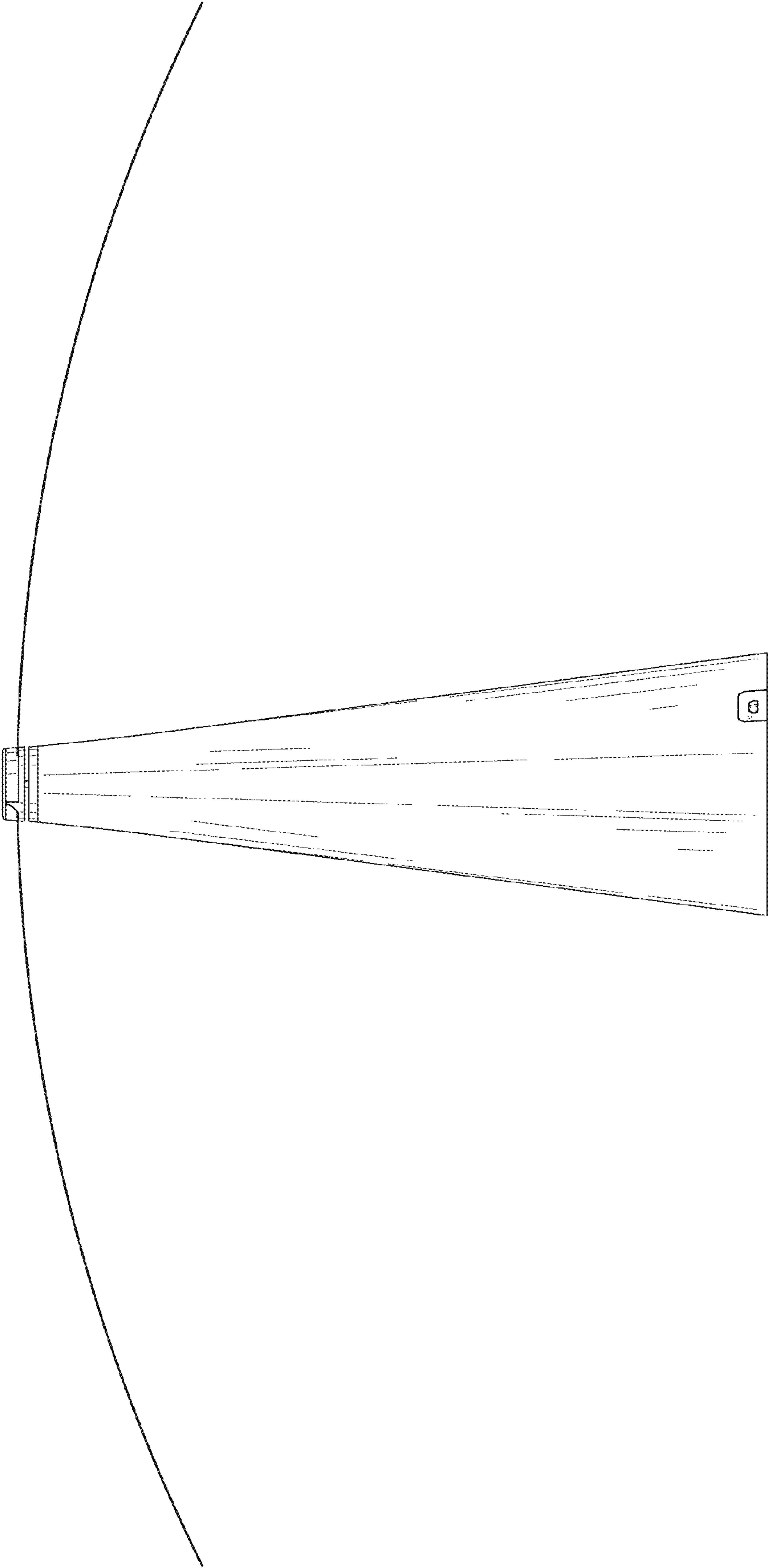


FIG. 4

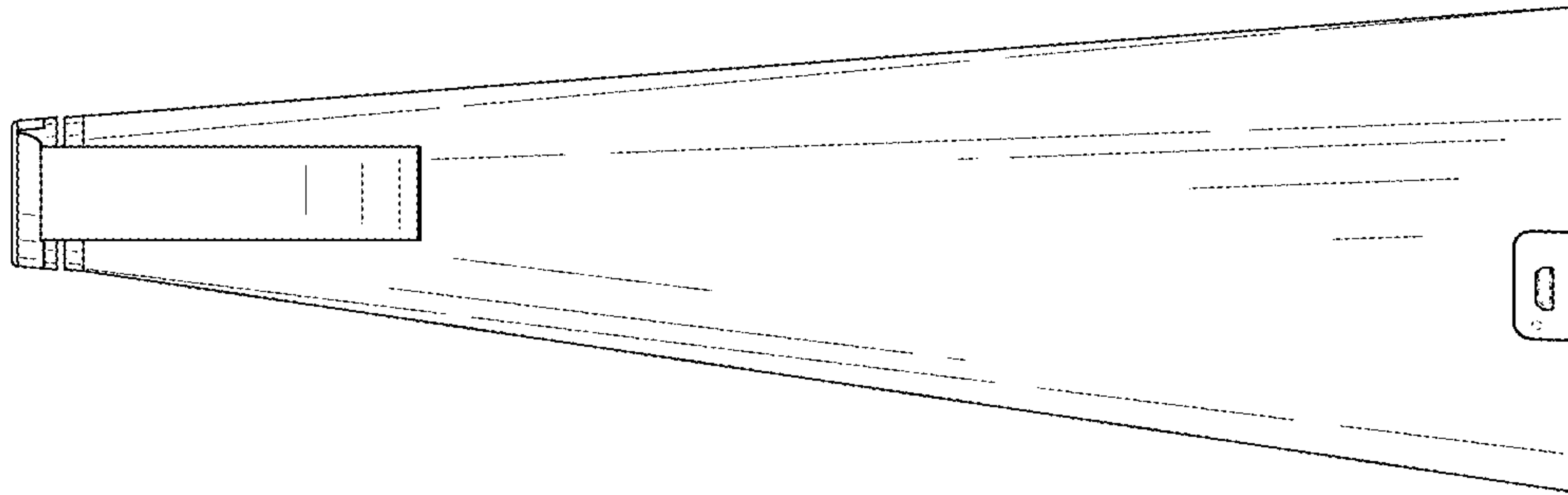


FIG. 5

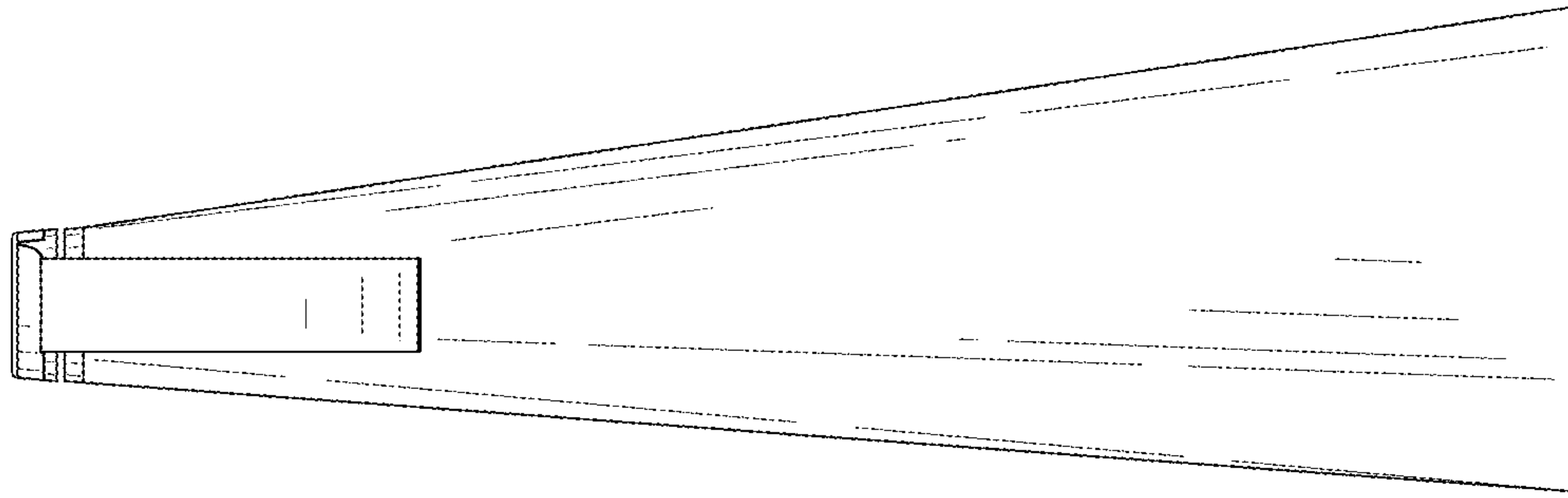


FIG. 6

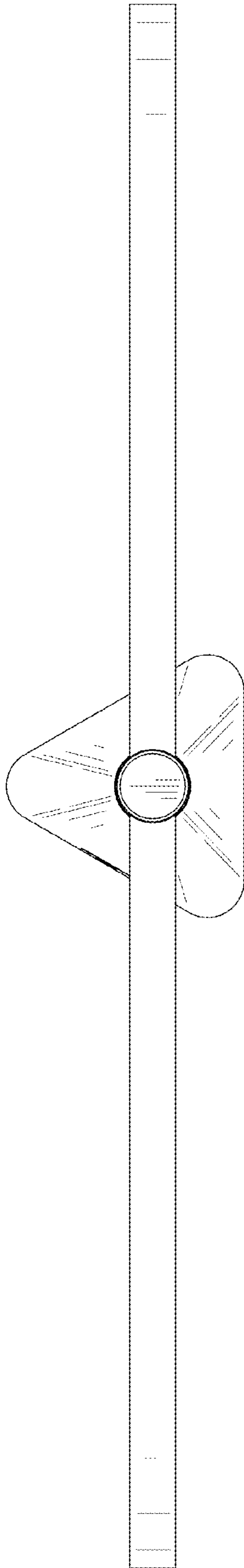


FIG. 7

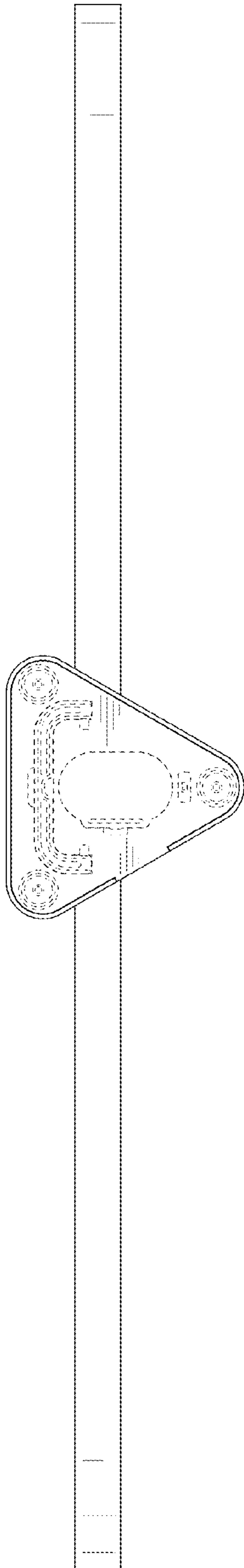


FIG. 8

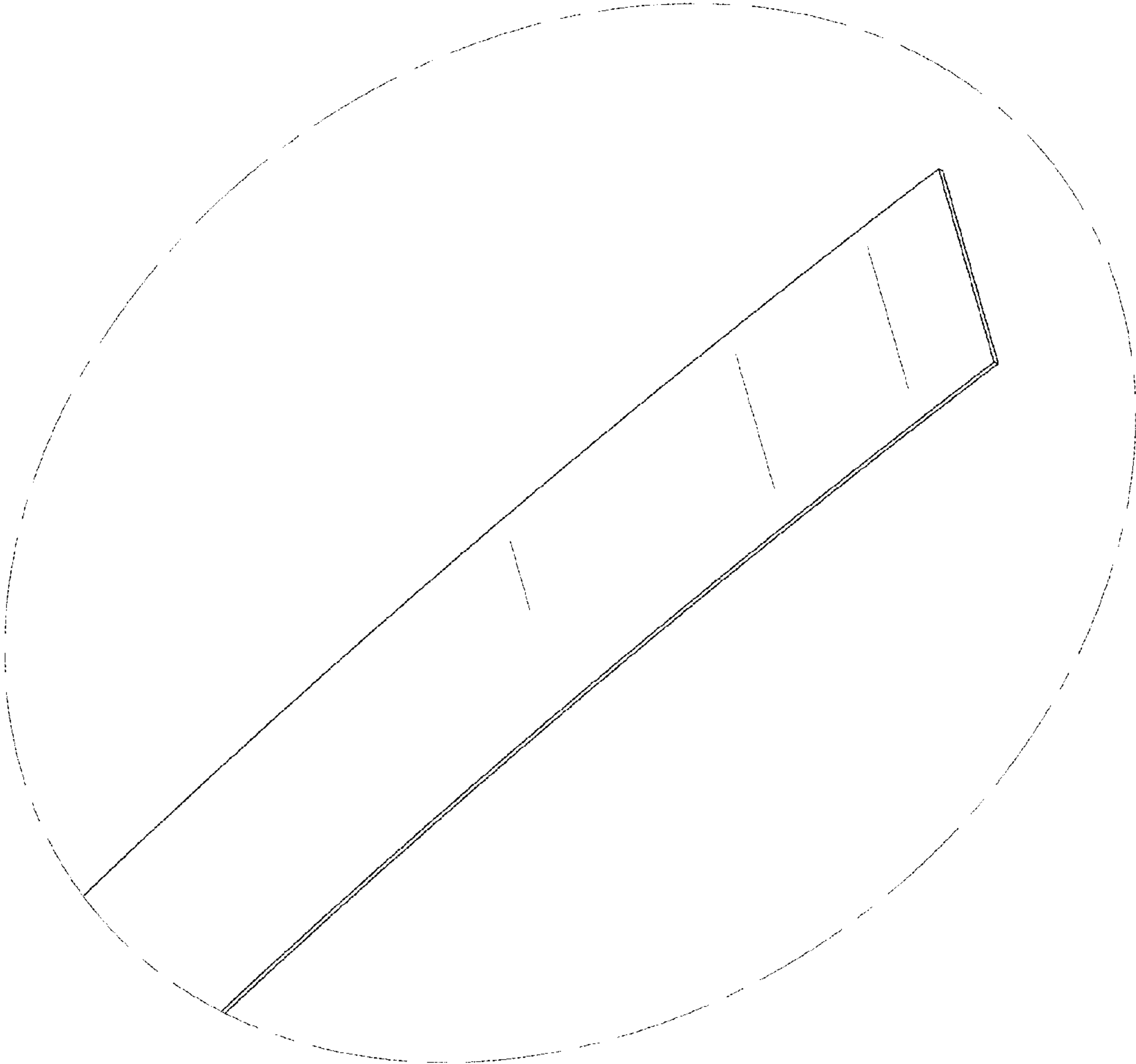


FIG. 9