



US00D921829S

(12) **United States Design Patent** (10) **Patent No.:** **US D921,829 S**
Young et al. (45) **Date of Patent:** **** Jun. 8, 2021**

(54) **TRAP ENCLOSURE**

(71) Applicant: **Goodnature Limited**, Wellington (NZ)

(72) Inventors: **Aaron Michael Young**, Lower Hutt (NZ); **Paris Morgan Gleeson**, Wellington (NZ); **Christopher Simon Dwan**, Lower Hutt (NZ)

(73) Assignee: **GOODNATURE LIMITED**, Wellington (NZ)

(**) Term: **15 Years**

(21) Appl. No.: **29/729,763**

(22) Filed: **Mar. 30, 2020**

(30) **Foreign Application Priority Data**

Oct. 11, 2019 (NZ) 426657

(51) **LOC (13) Cl.** **22-06**

(52) **U.S. Cl.**
USPC **D22/119**

(58) **Field of Classification Search**
USPC D22/119; D19/75-76; D3/294; 43/58, 43/60-62, 64-66, 67, 69-70, 81, 81.5, 43/82-83, 83.5, 114, 121, 124; 229/115
CPC A01M 23/00; A01M 23/02; A01M 23/005; A01M 23/08; A01M 23/16; A01M 23/20; A01M 25/004

See application file for complete search history.

(56) **References Cited**

U.S. PATENT DOCUMENTS

4,425,731	A *	1/1984	Orlando	A01M 23/005 229/115
D358,425	S *	5/1995	Kirchhoff	D19/75
D459,428	S *	6/2002	Johnson	D22/119
D609,303	S *	2/2010	Brandt	D22/119
D621,900	S *	8/2010	Cink	D22/119
D777,875	S *	1/2017	Bubar	D22/119
D852,923	S *	7/2019	Ryan	D22/119
D912,192	S *	3/2021	Baker	D22/119
2010/0162614	A1 *	7/2010	Cink	A01M 25/004 43/58

* cited by examiner

Primary Examiner — Catherine R Oliver-Garcia

(74) *Attorney, Agent, or Firm* — Thomas Coester
Intellectual Property

(57) **CLAIM**

The ornamental design for a trap enclosure, as shown.

DESCRIPTION

FIG. 1 is a front right top perspective view of a trap enclosure according to one embodiment of the invention. FIG. 2 is a front view of the trap enclosure of FIG. 1. FIG. 3 is a rear view of the trap enclosure of FIG. 1. FIG. 4 is a left side view of the trap enclosure of FIG. 1. FIG. 5 is a right side view of the trap enclosure of FIG. 1. FIG. 6 is a top view of the trap enclosure of FIG. 1; and, FIG. 7 is a bottom view of the trap enclosure of FIG. 1.

1 Claim, 7 Drawing Sheets

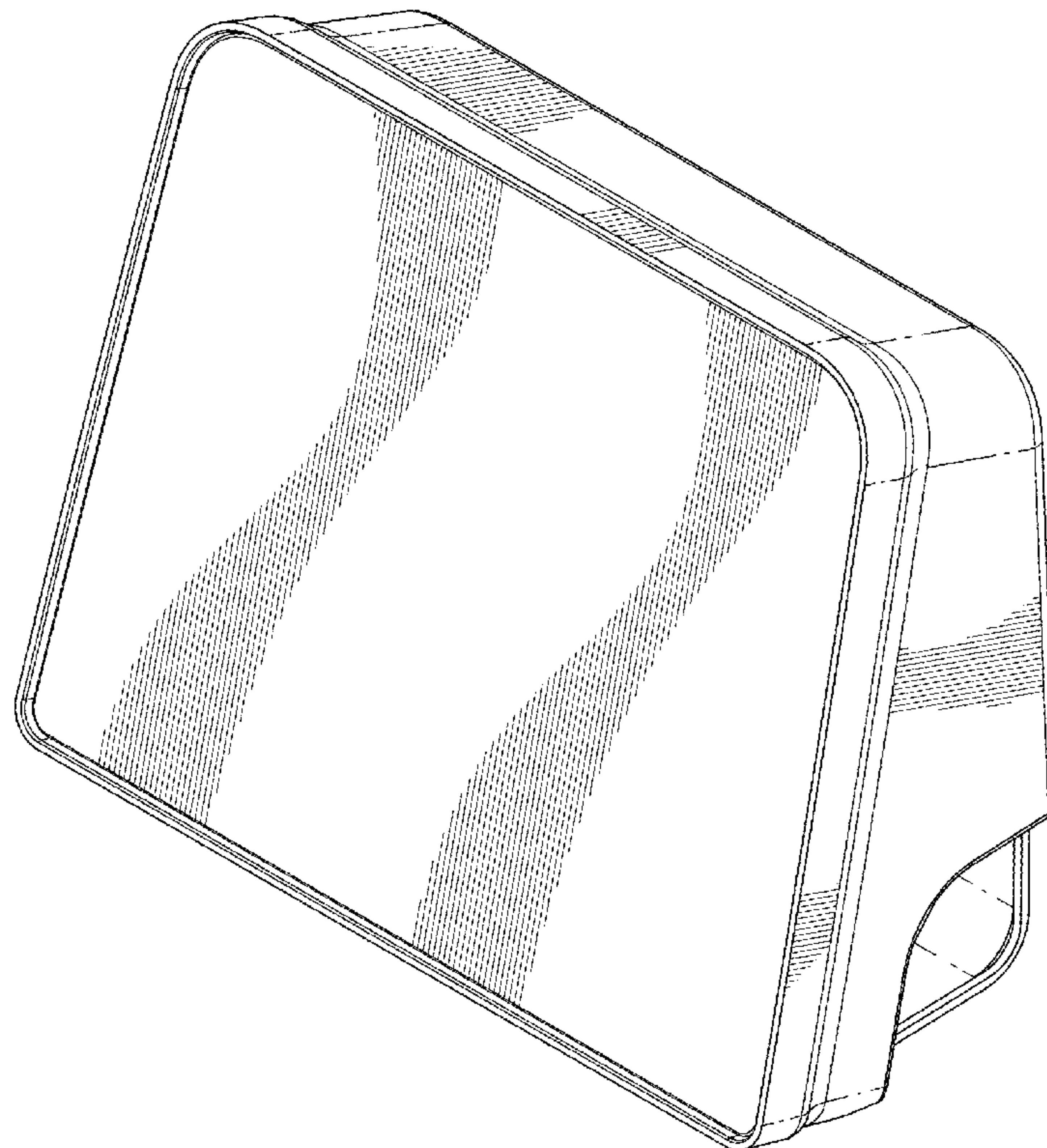


FIG. 1



FIG. 2

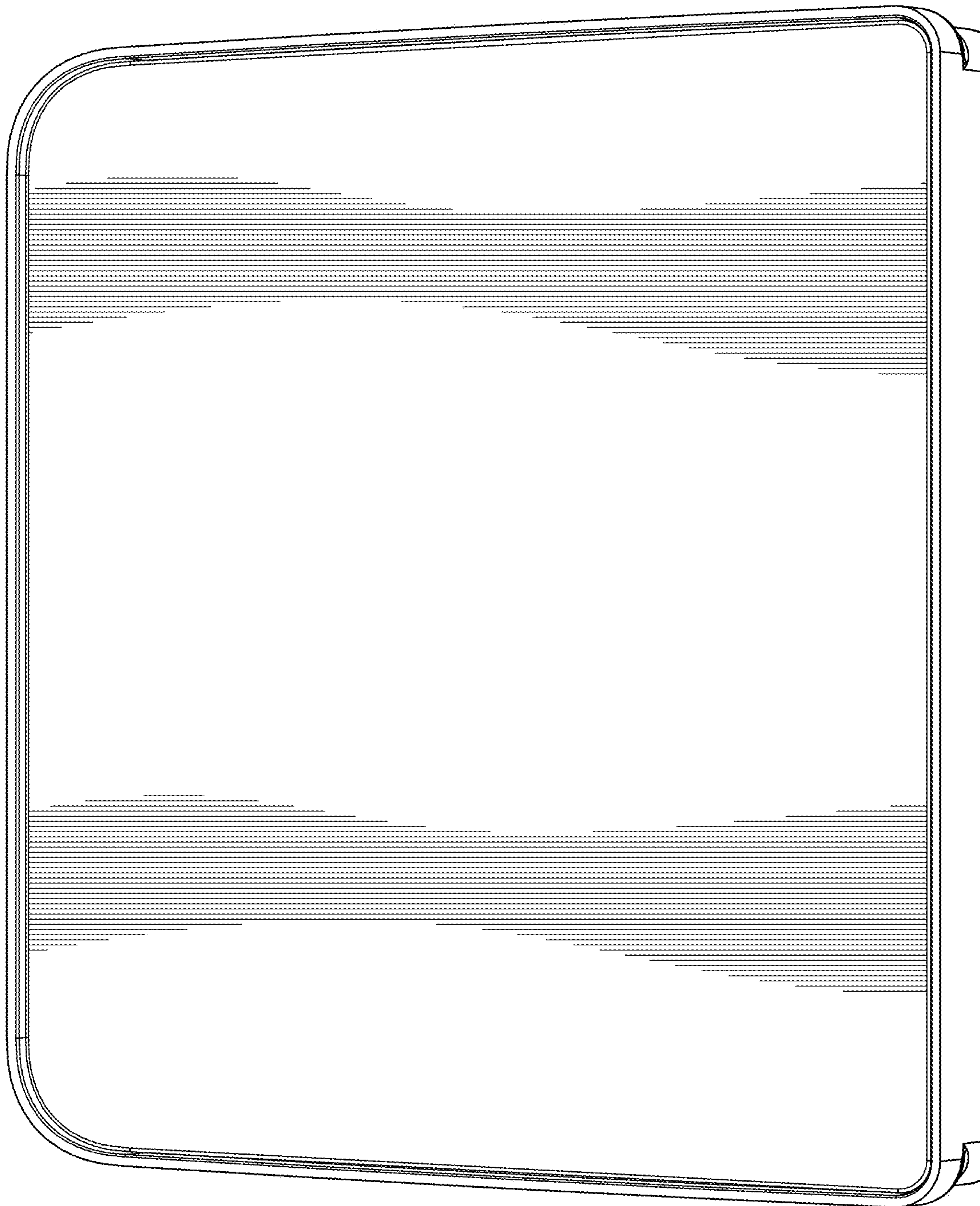


FIG. 3

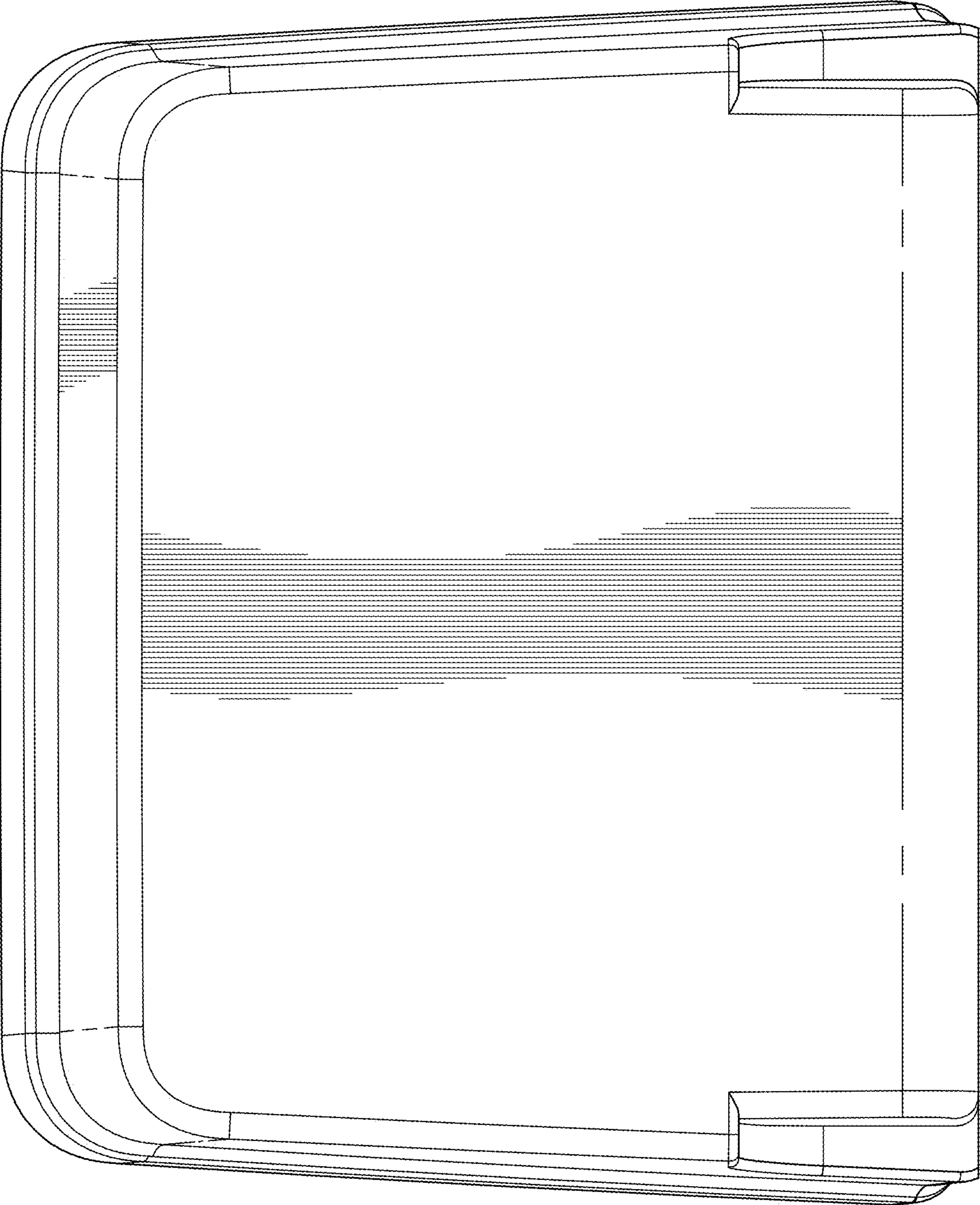
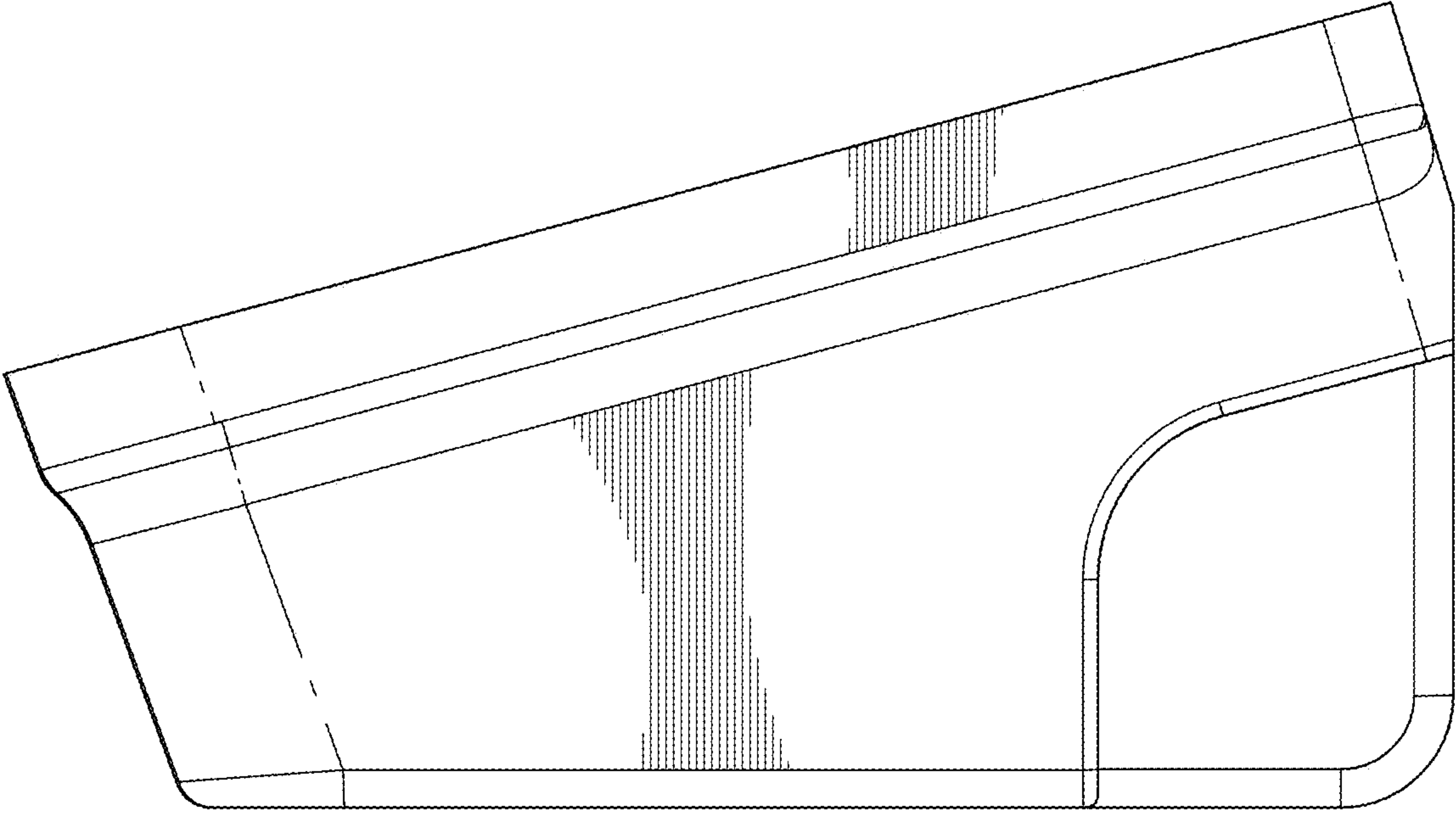


FIG. 4



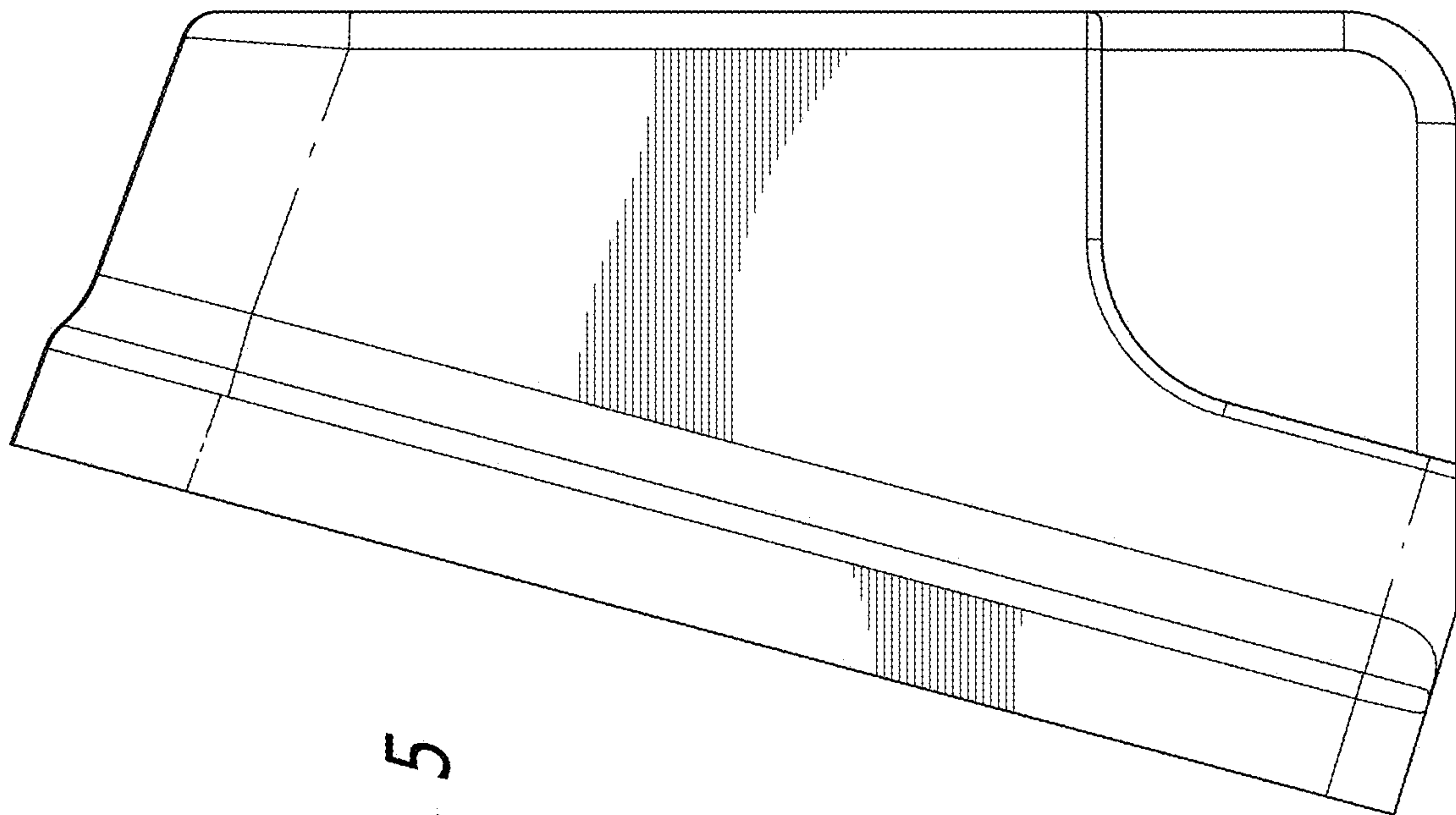


FIG. 5

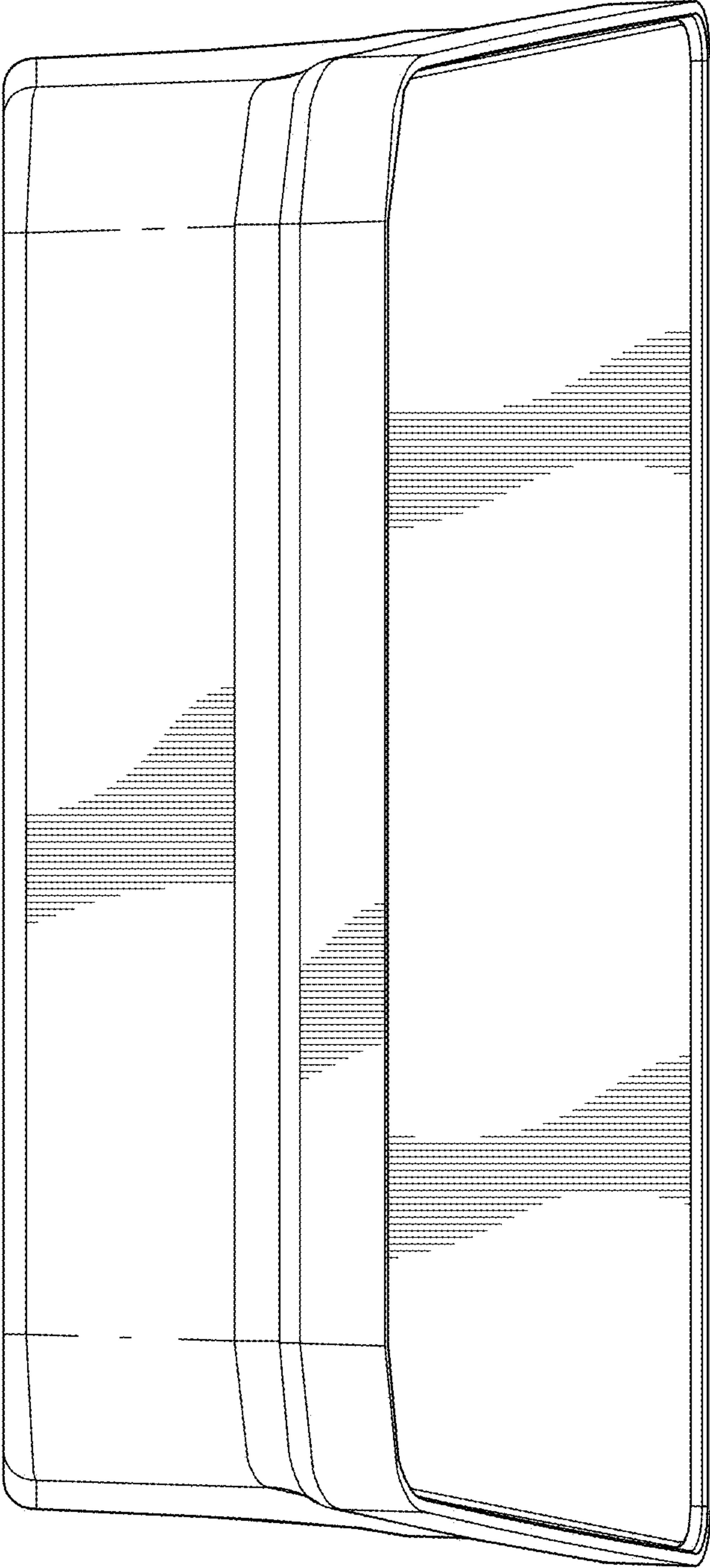


FIG. 6



FIG. 7