



US00D921816S

(12) **United States Design Patent** (10) **Patent No.:** **US D921,816 S**
Lee (45) **Date of Patent:** **** Jun. 8, 2021**

(54) **DETACHABLE MOUNT**
(71) Applicant: **Shanyao Lee**, Santa Ana, CA (US)
(72) Inventor: **Shanyao Lee**, Santa Ana, CA (US)
(**) Term: **15 Years**
(21) Appl. No.: **29/731,362**
(22) Filed: **Apr. 14, 2020**
(51) **LOC (13) Cl.** **22-01**
(52) **U.S. Cl.**
USPC **D22/108**
(58) **Field of Classification Search**
USPC D8/363, 373, 394; D22/108, 109, 110,
D22/199
CPC . F41G 11/003; F41G 1/00; F41G 1/16; F41G
1/345; F16M 13/02; F16M 13/00; A47F
5/00; A47H 1/10; E04G 5/06; A47G
29/00; A47G 29/08; A47B 97/00; Y10S
248/917; Y10S 248/918
See application file for complete search history.

D602,114 S * 10/2009 Ballard D22/110
D631,124 S * 1/2011 Ballard D22/109
7,908,782 B1 * 3/2011 LaRue F41G 11/003
42/128
D722,355 S * 2/2015 Daniel D22/108
D736,060 S * 8/2015 Shimizu D8/349
D742,987 S * 11/2015 Holden D22/108
D825,023 S * 8/2018 Jozaitis D22/110
D833,566 S * 11/2018 McKillips D22/110
D907,160 S * 1/2021 McCoy, II D22/108

* cited by examiner

Primary Examiner — Mark A Goodwin
Assistant Examiner — Benjamin M Weeks
(74) *Attorney, Agent, or Firm* — Che-Yang Chen; Law
Office of Michael Chen

(57) **CLAIM**

The Ornamental design for a detachable mount, as shown
and described.

DESCRIPTION

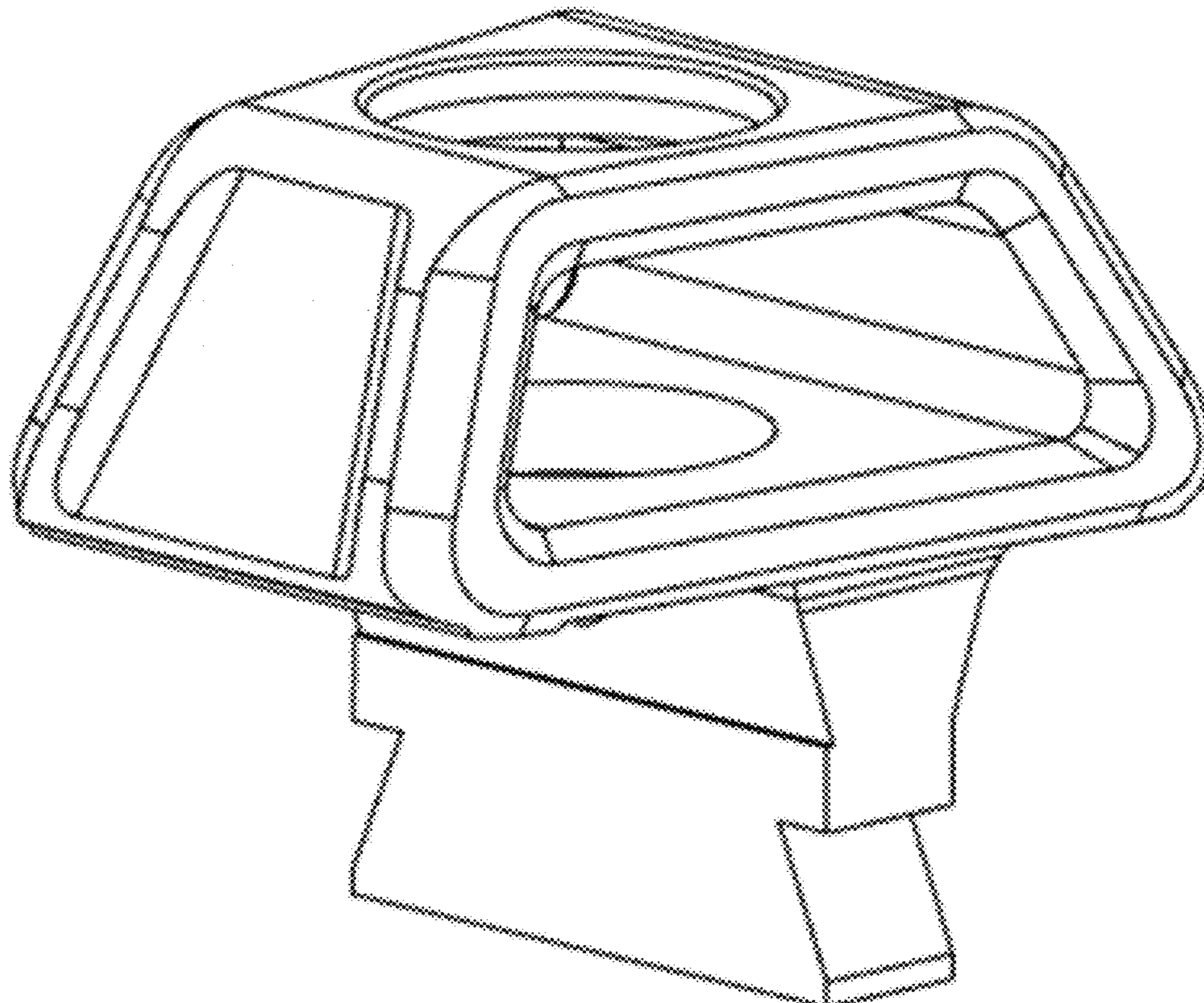
FIG. 1 is a perspective view of a detachable mount showing
my new design;
FIG. 2 is a front elevational view thereof;
FIG. 3 is a rear elevational view thereof;
FIG. 4 is a left side elevational view thereof;
FIG. 5 is a right side elevational view thereof;
FIG. 6 is a top plan view thereof; and,
FIG. 7 is a bottom plan view thereof.

1 Claim, 7 Drawing Sheets

(56) **References Cited**

U.S. PATENT DOCUMENTS

3,645,635 A * 2/1972 Steck F41G 1/30
356/252
D309,255 S * 7/1990 Karow, Jr. D22/110
D412,548 S * 8/1999 Simpson, Sr. D22/107
D429,789 S * 8/2000 Sheehan D22/100



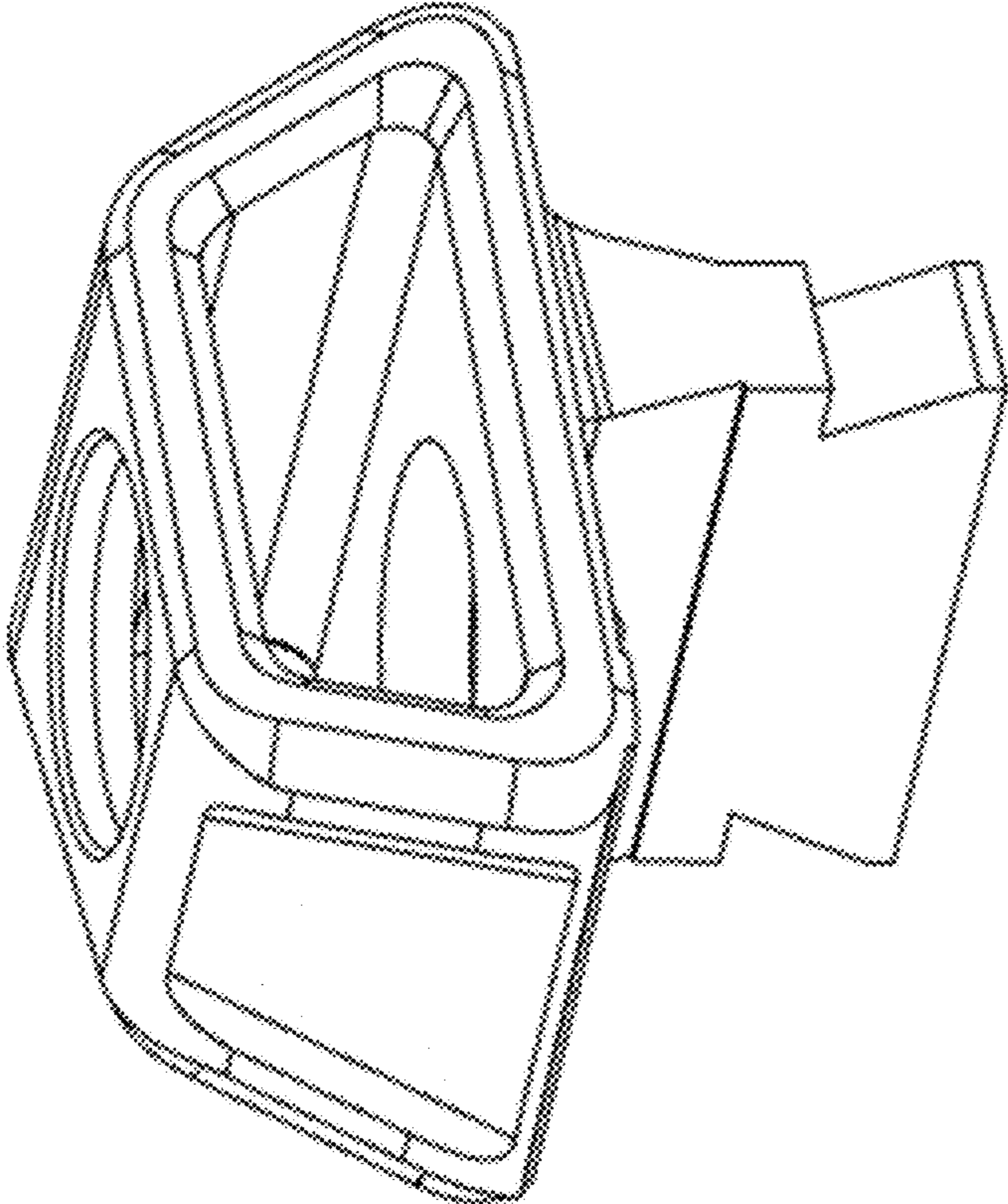


FIG. 1

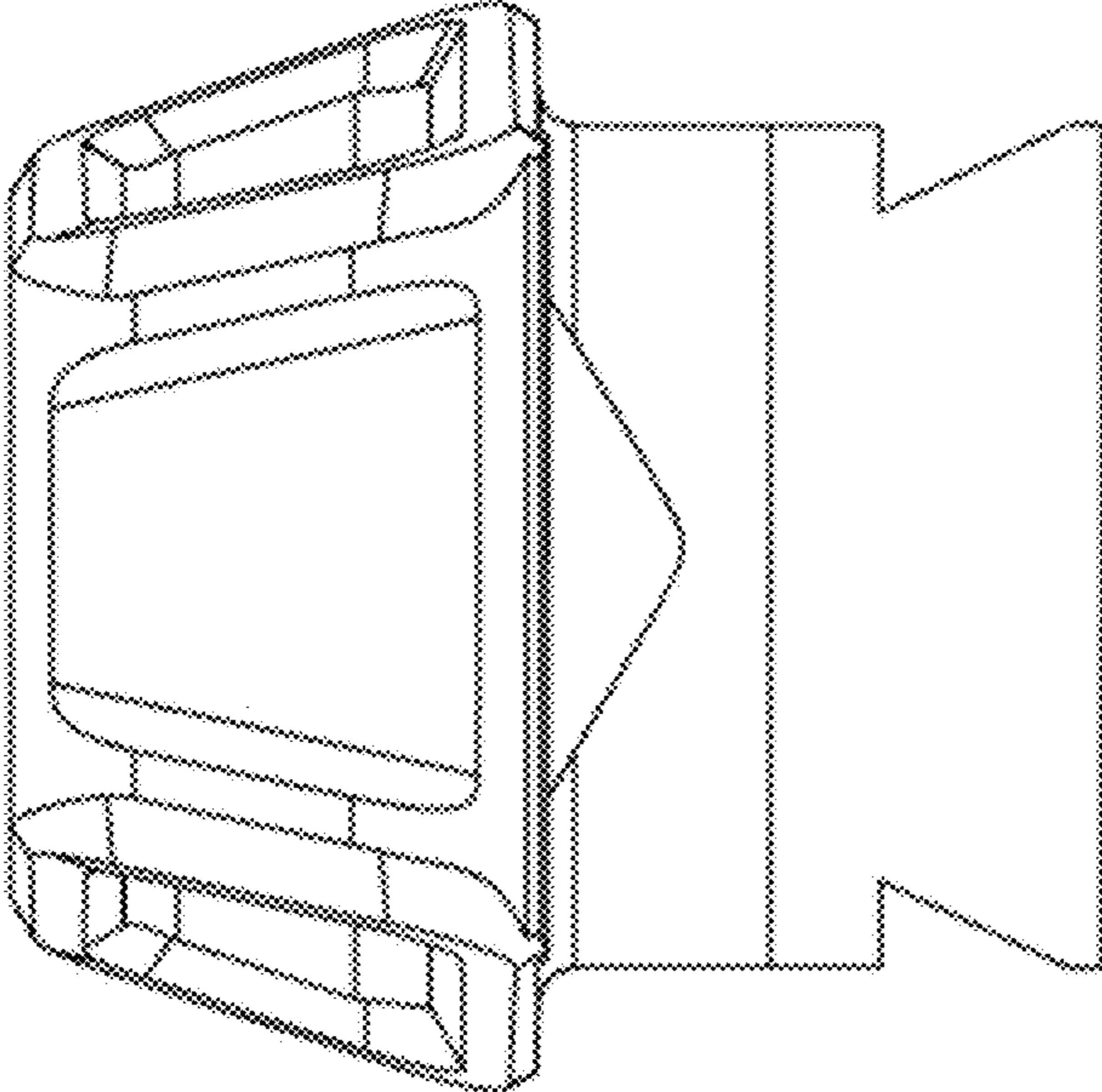


FIG. 2

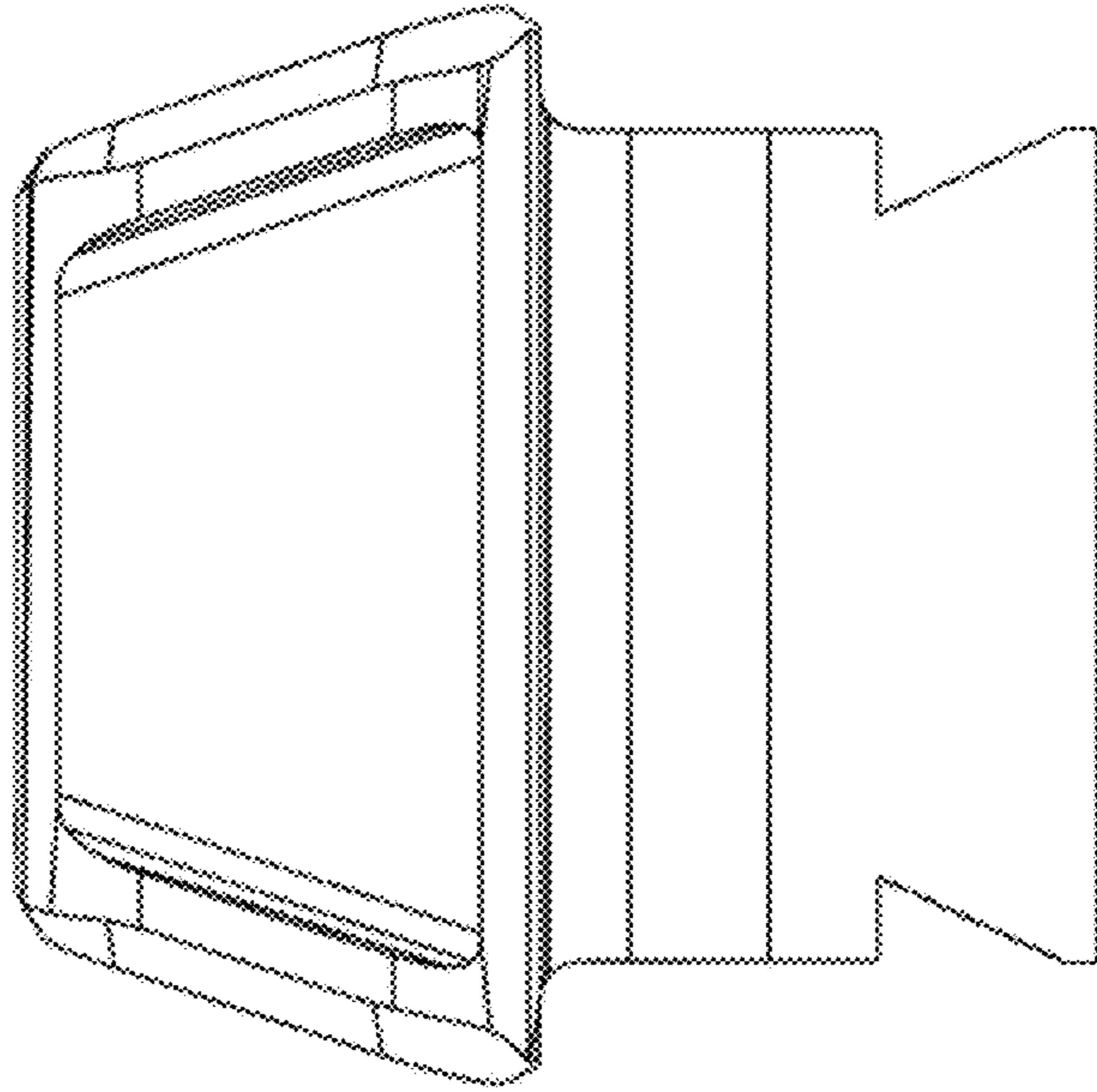


FIG. 3

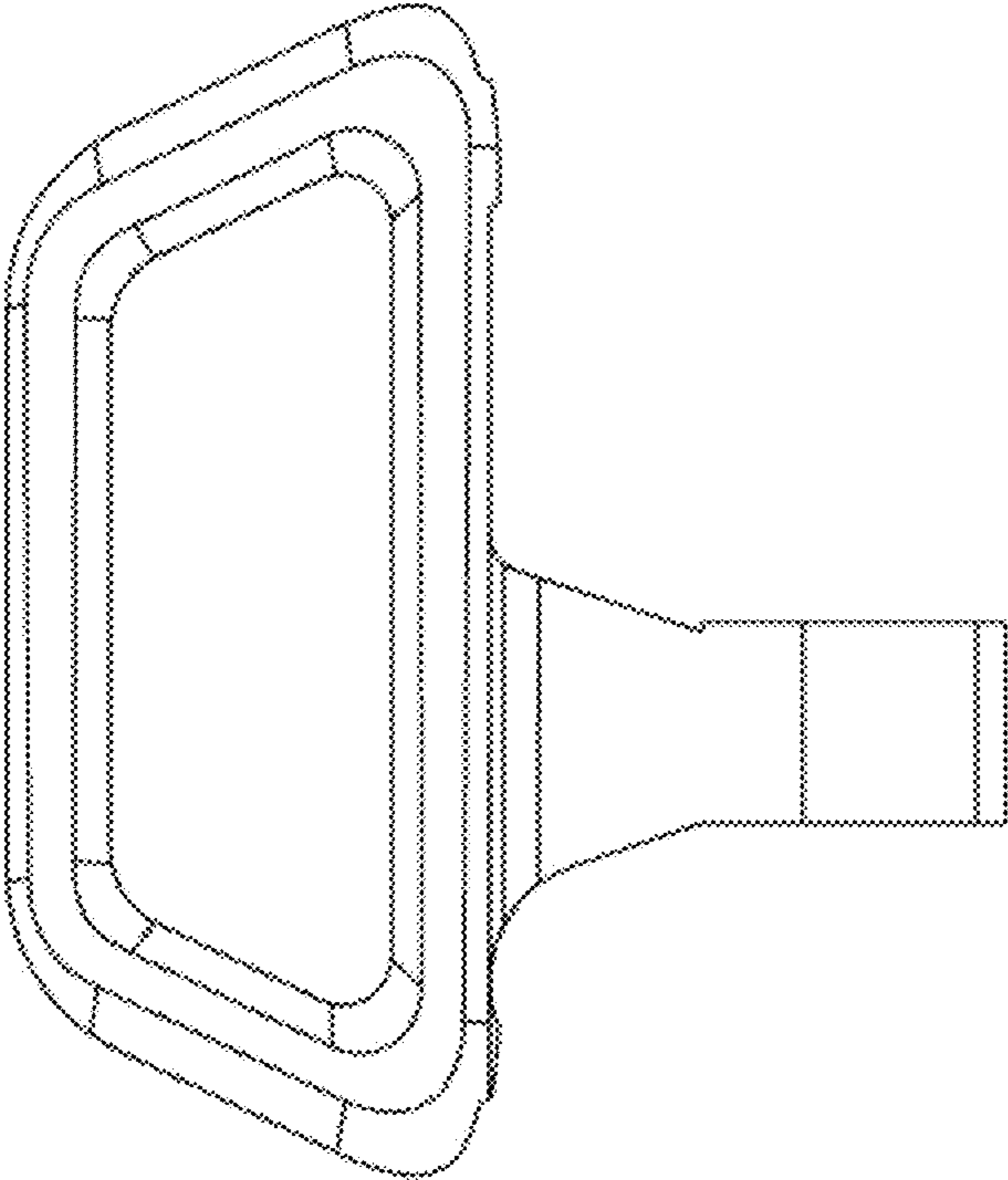


FIG. 4

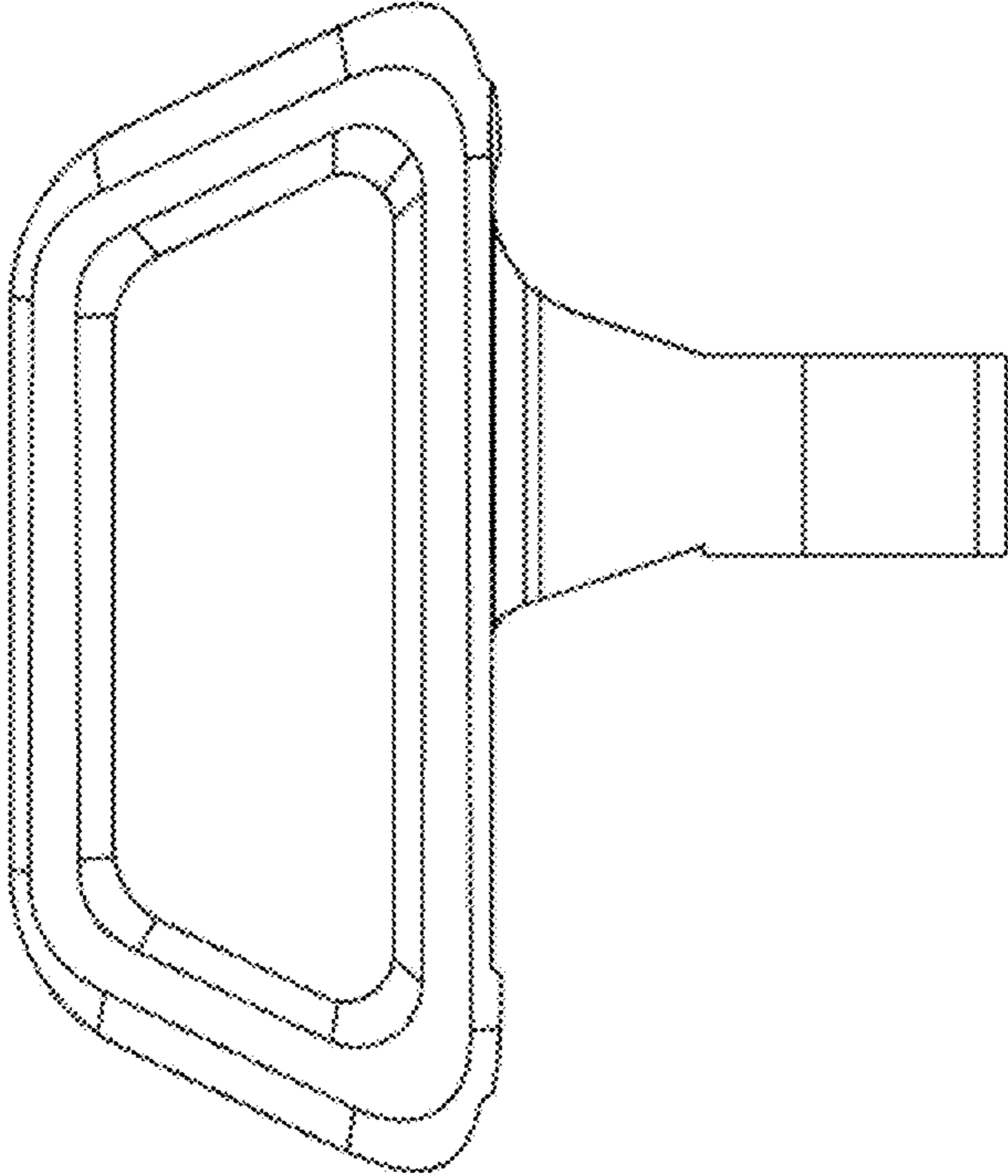


FIG. 5

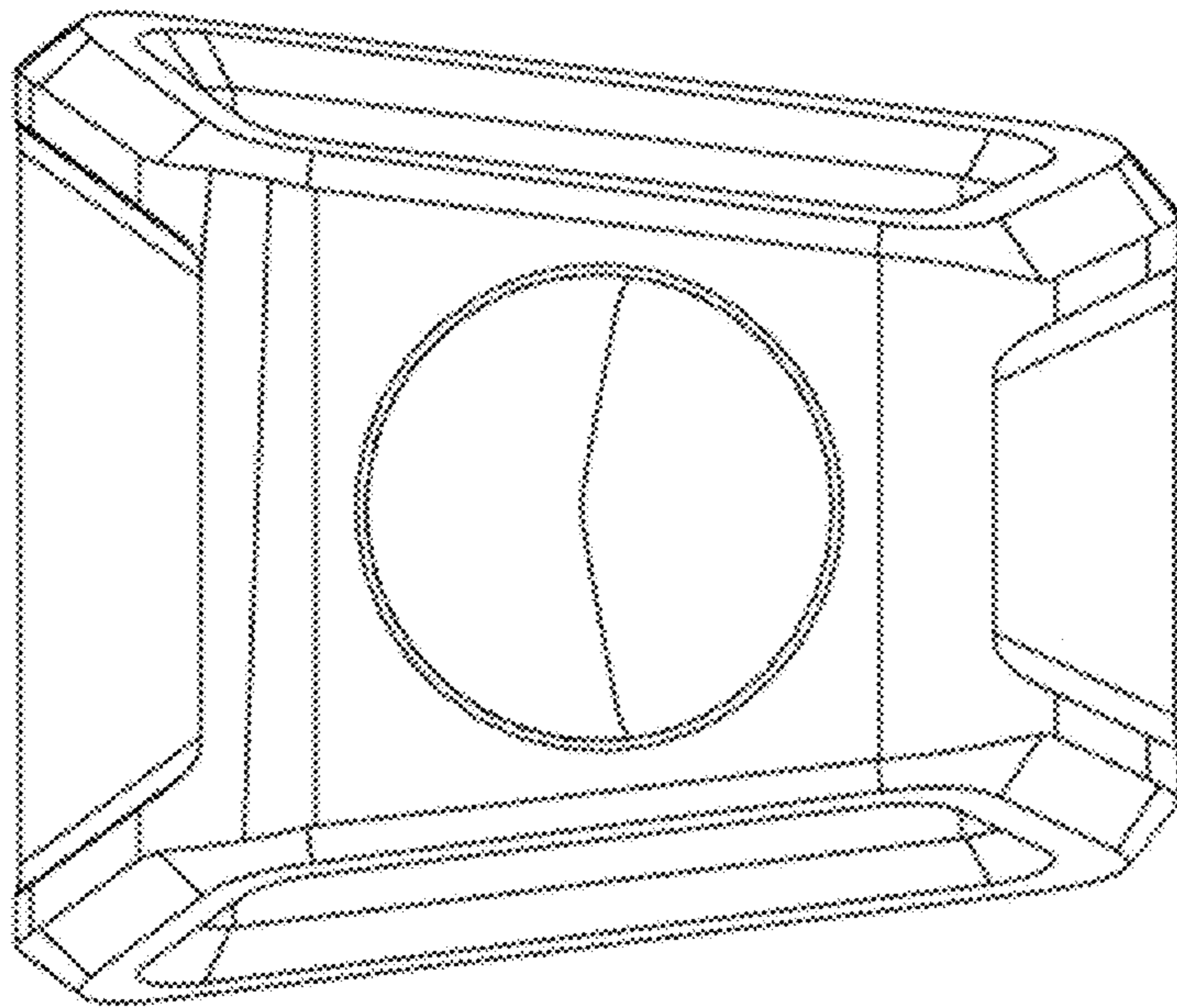


FIG. 6

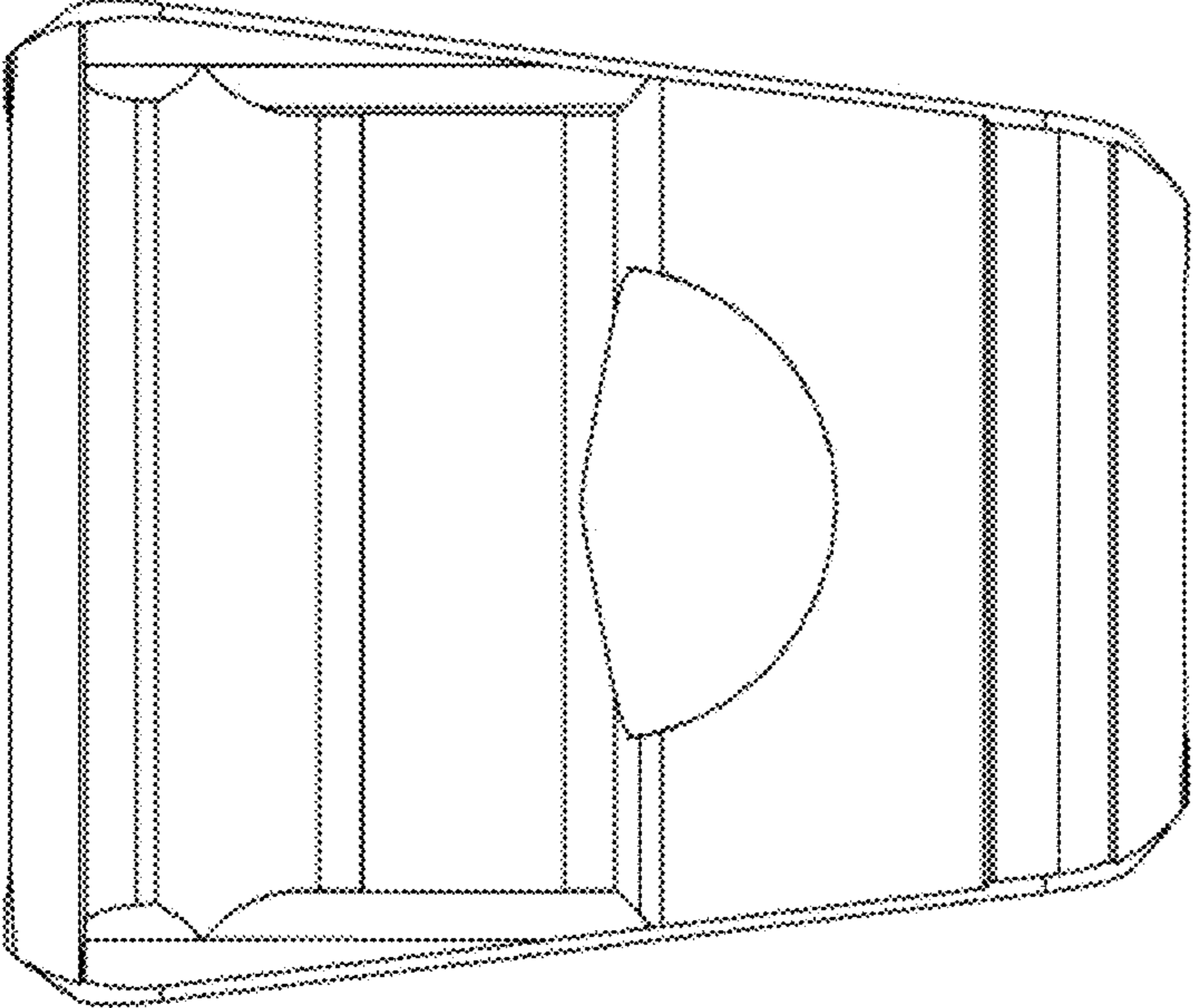


FIG. 7