



US00D921815S

(12) **United States Design Patent** (10) **Patent No.:** **US D921,815 S**
Lee (45) **Date of Patent:** **** Jun. 8, 2021**

(54) **DETACHABLE MOUNT**
(71) Applicant: **Shanyao Lee**, Santa Ana, CA (US)
(72) Inventor: **Shanyao Lee**, Santa Ana, CA (US)
(**) Term: **15 Years**
(21) Appl. No.: **29/731,358**
(22) Filed: **Apr. 14, 2020**
(51) **LOC (13) Cl.** **22-01**
(52) **U.S. Cl.**
USPC **D22/108**
(58) **Field of Classification Search**
USPC D8/363, 373, 394; D22/108, 109, 110, D22/199
CPC . F41G 11/003; F41G 1/00; F41G 1/16; F41G 1/345; F16M 13/02; F16M 13/00; A47F 5/00; A47H 1/10; E04G 5/06; A47G 29/00; A47G 29/08; A47B 97/00; Y10S 248/917; Y10S 248/918
See application file for complete search history.

D717,391 S * 11/2014 Pittman D22/108
D738,191 S * 9/2015 Nas D8/349
D755,342 S * 5/2016 Ding D22/109
D777,289 S * 1/2017 Cheng D22/109
D779,623 S * 2/2017 Geissele D22/110
D790,654 S * 6/2017 Lapham, IV D22/109
D825,023 S * 8/2018 Jozaitis D22/110
D833,566 S * 11/2018 McKillips D22/110
10,288,378 B2 * 5/2019 Minor F41G 1/44
D904,857 S * 12/2020 Kobayashi D8/349
D905,812 S * 12/2020 Chin D22/108
D906,468 S * 12/2020 Chavez D22/110
D906,469 S * 12/2020 Coggins D22/110
10,907,937 B1 * 2/2021 Keng F41G 11/003
2011/0061286 A1 * 3/2011 Wang F41G 11/003
42/125
2013/0133238 A1 * 5/2013 Quetschke F41A 35/00
42/90
2013/0160345 A1 * 6/2013 Li F41G 11/001
42/124

* cited by examiner

Primary Examiner — Mark A Goodwin
Assistant Examiner — Benjamin M Weeks
(74) *Attorney, Agent, or Firm* — Che-Yang Chen; Law Office of Michael Chen

(56) **References Cited**
U.S. PATENT DOCUMENTS

D250,271 S * 11/1978 Williams D22/110
D251,671 S * 4/1979 Bechtel D22/110
D257,564 S * 11/1980 Weast D22/110
D281,804 S * 12/1985 Bechtel D22/108
D333,012 S * 2/1993 Fleming D26/138
D390,302 S * 2/1998 Bullock D22/100
D435,284 S * 12/2000 Sutula D22/100
D471,078 S * 3/2003 Chen D8/349
D600,312 S * 9/2009 Swan D22/109
7,908,782 B1 * 3/2011 LaRue F41G 11/003
42/128
D672,003 S * 12/2012 Botes D22/108
D672,422 S * 12/2012 Swan F41G 1/42
D22/108
D681,767 S * 5/2013 Li D22/109
D713,921 S * 9/2014 Williams D22/109

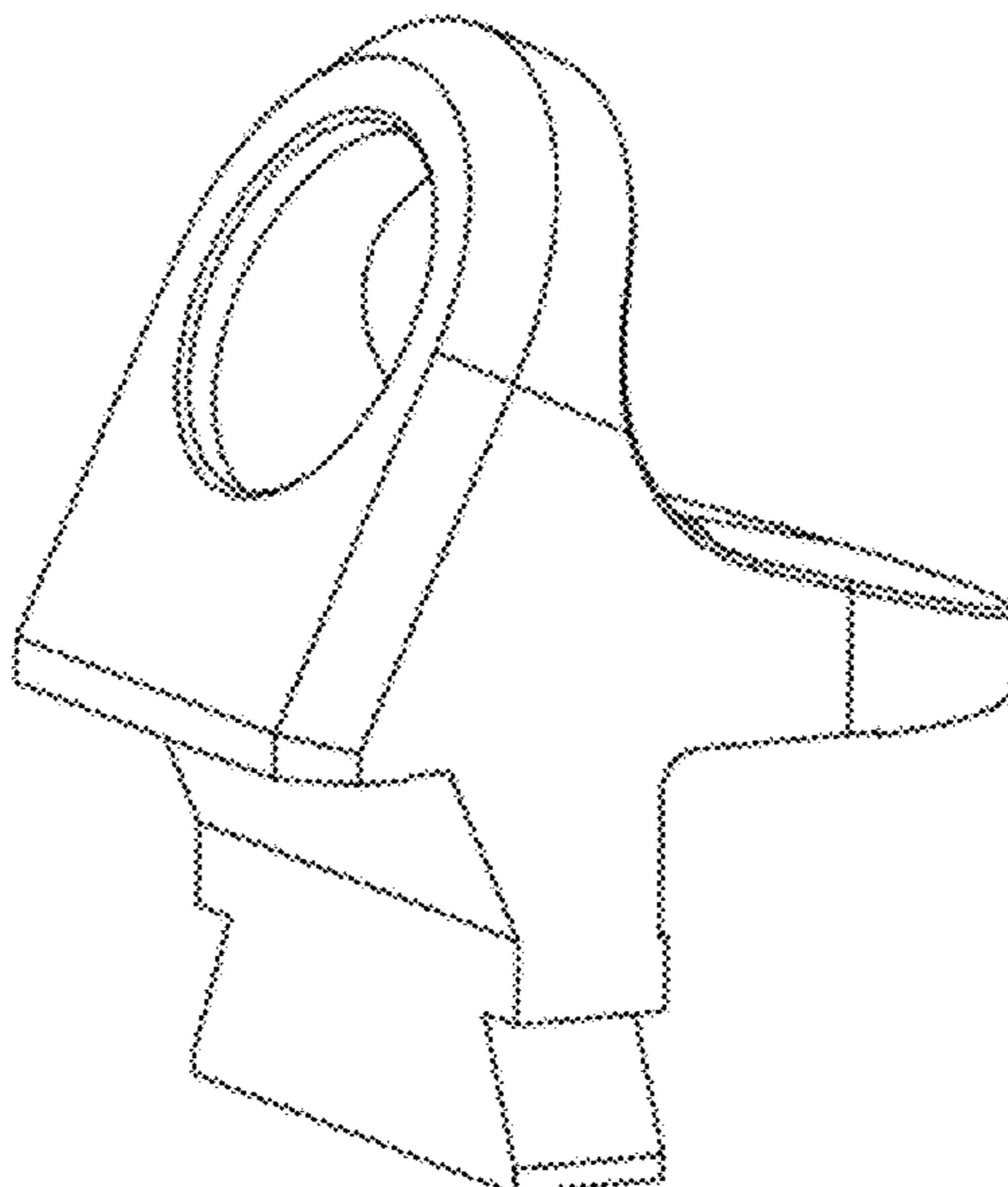
(57) **CLAIM**

The ornamental design for a detachable mount, as shown and described.

DESCRIPTION

FIG. 1 is a perspective view of a detachable mount showing my new design;
FIG. 2 is a front elevational view thereof;
FIG. 3 is a rear elevational view thereof;
FIG. 4 is a left side elevational view thereof;
FIG. 5 is a right side elevational view thereof;
FIG. 6 is a top plan view thereof; and,
FIG. 7 is a bottom plan view thereof.

1 Claim, 7 Drawing Sheets



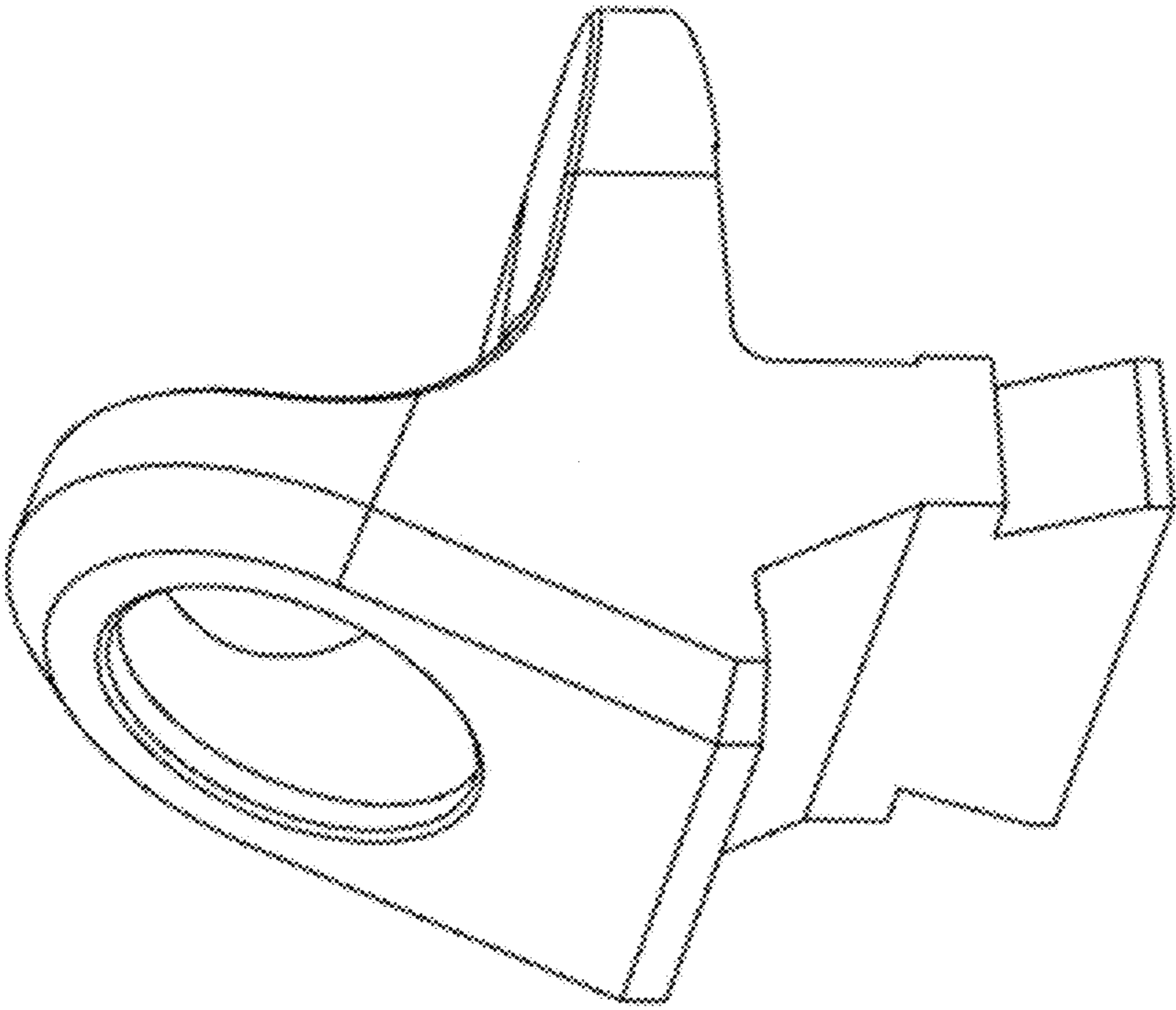


FIG. 1

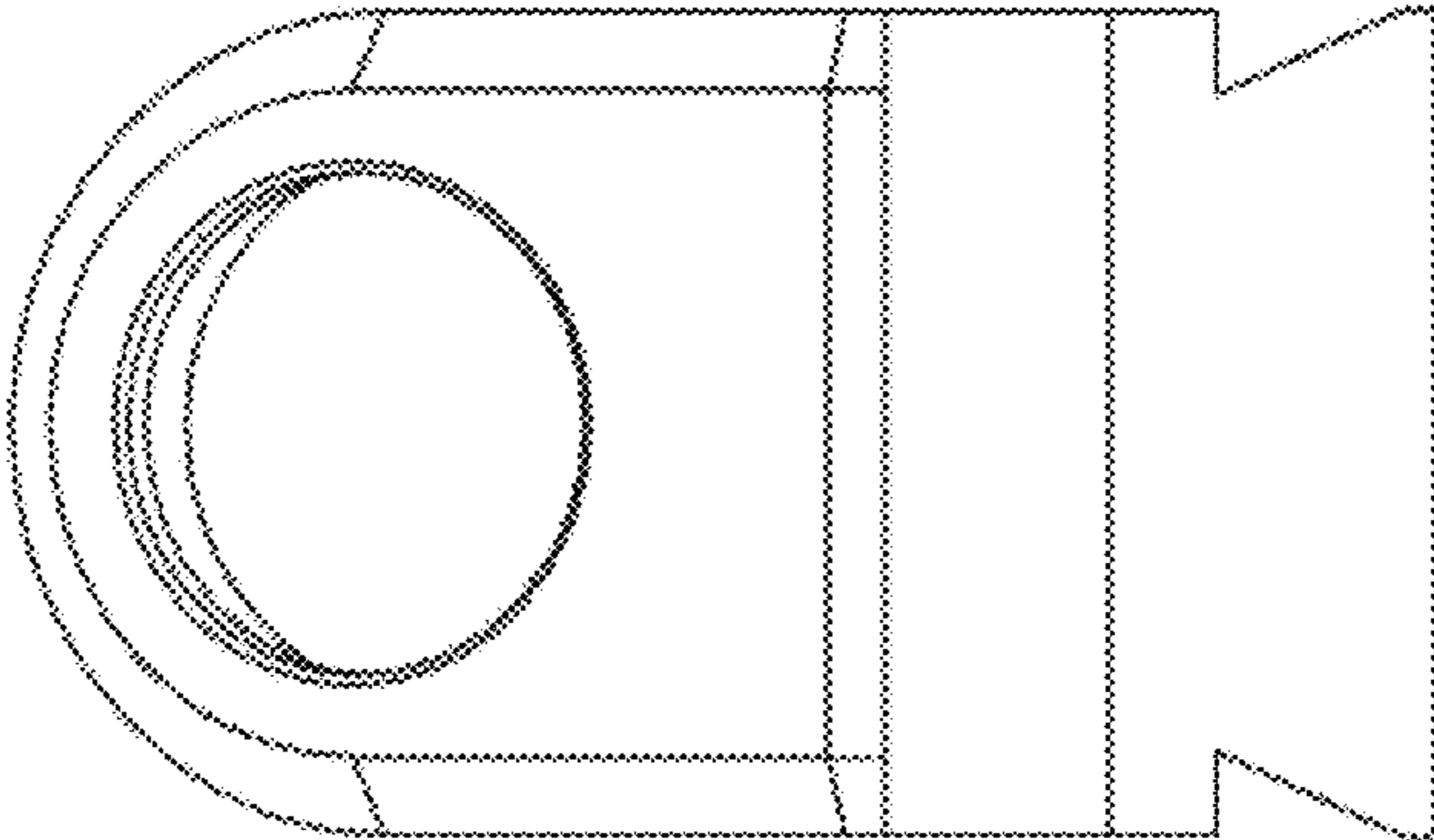


FIG. 2

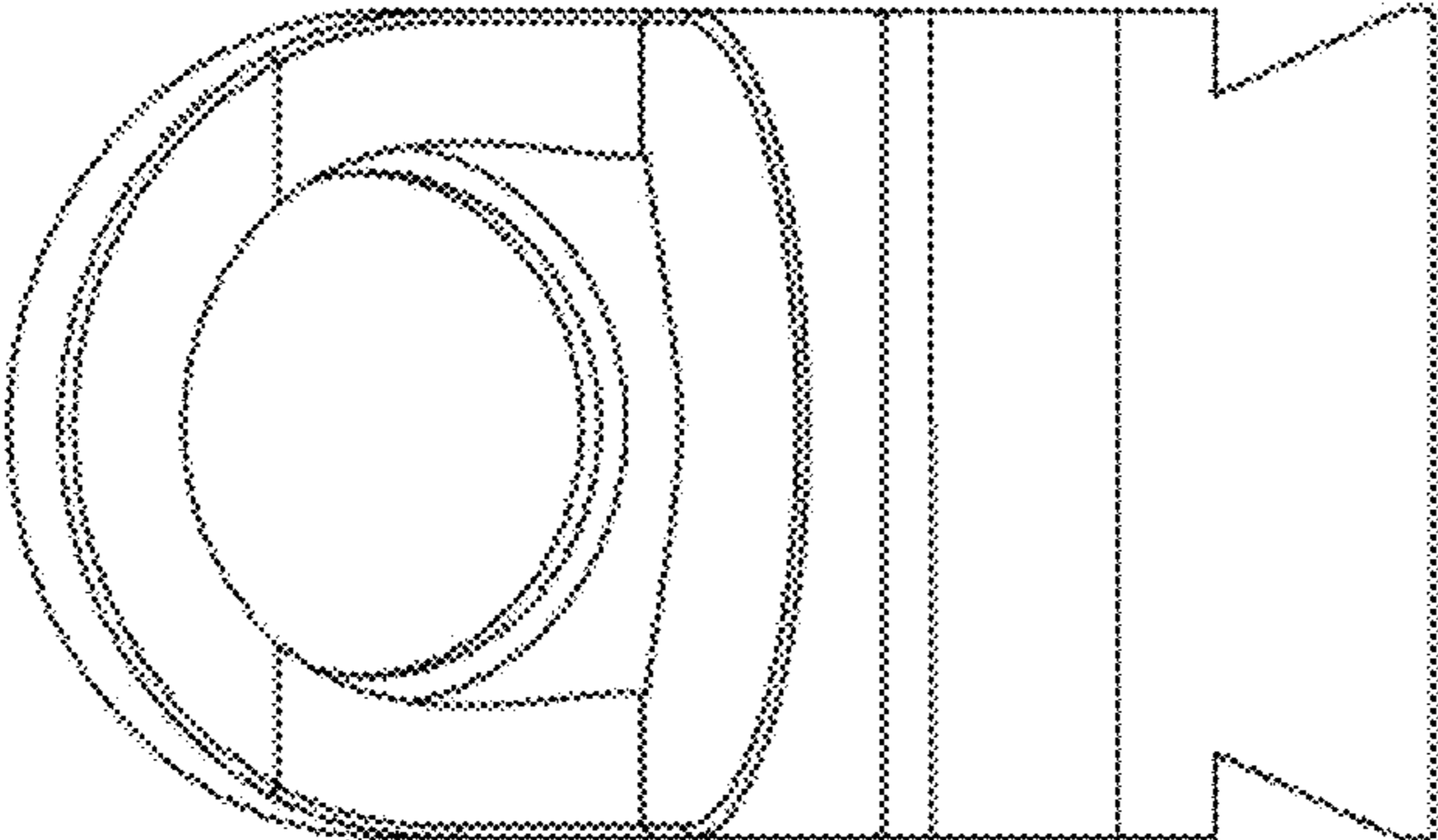


FIG. 3

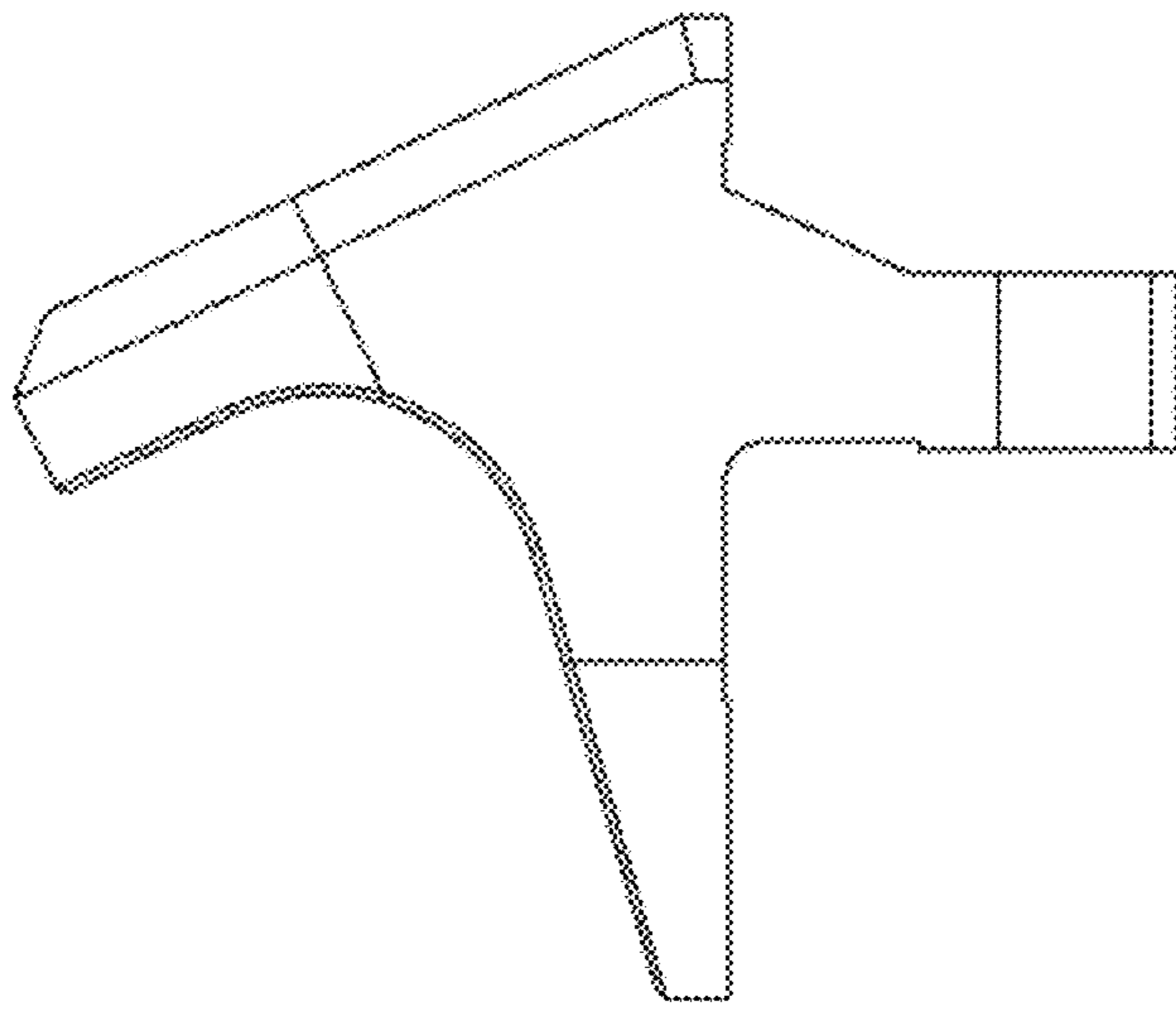


FIG. 4

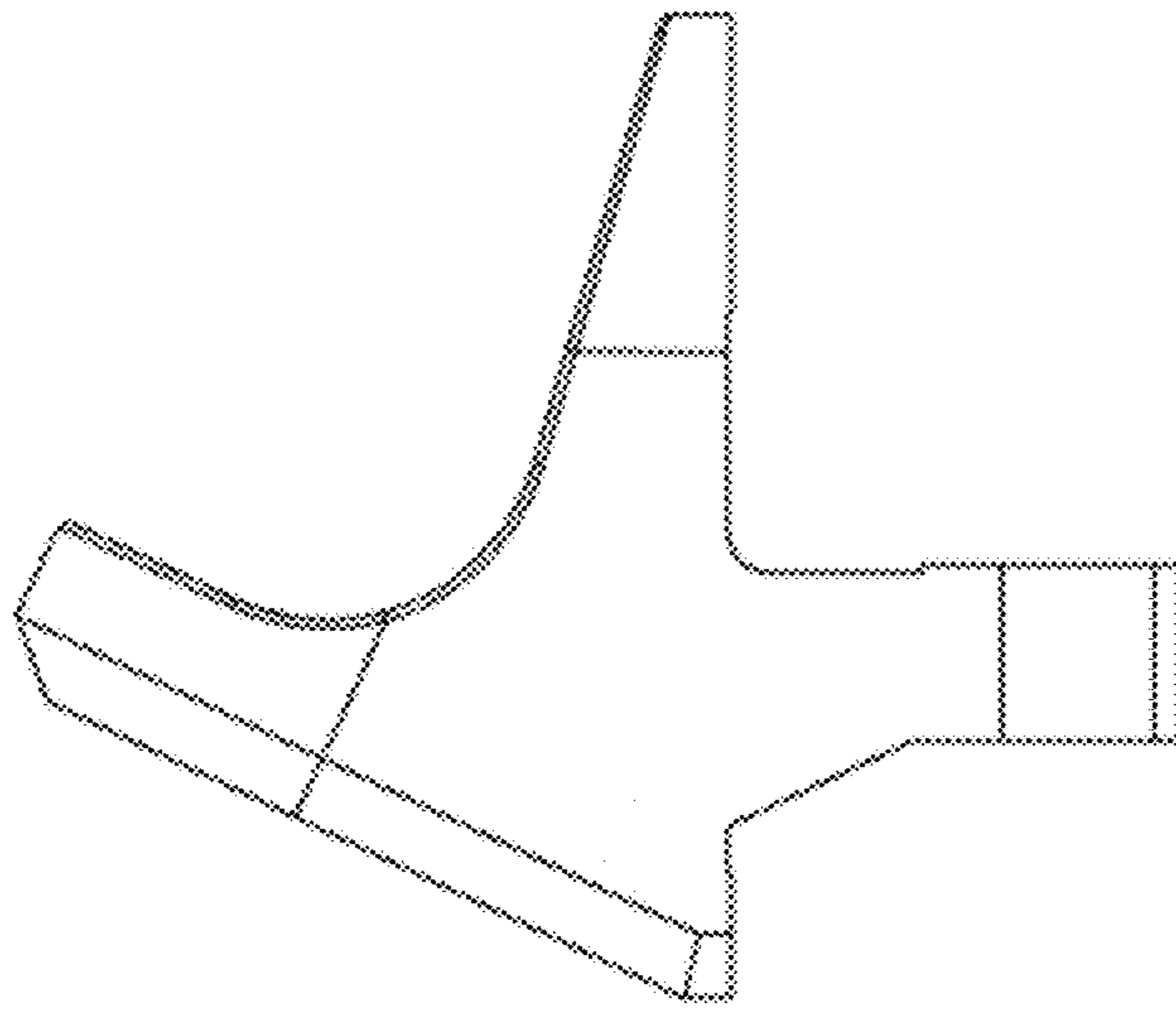


FIG. 5

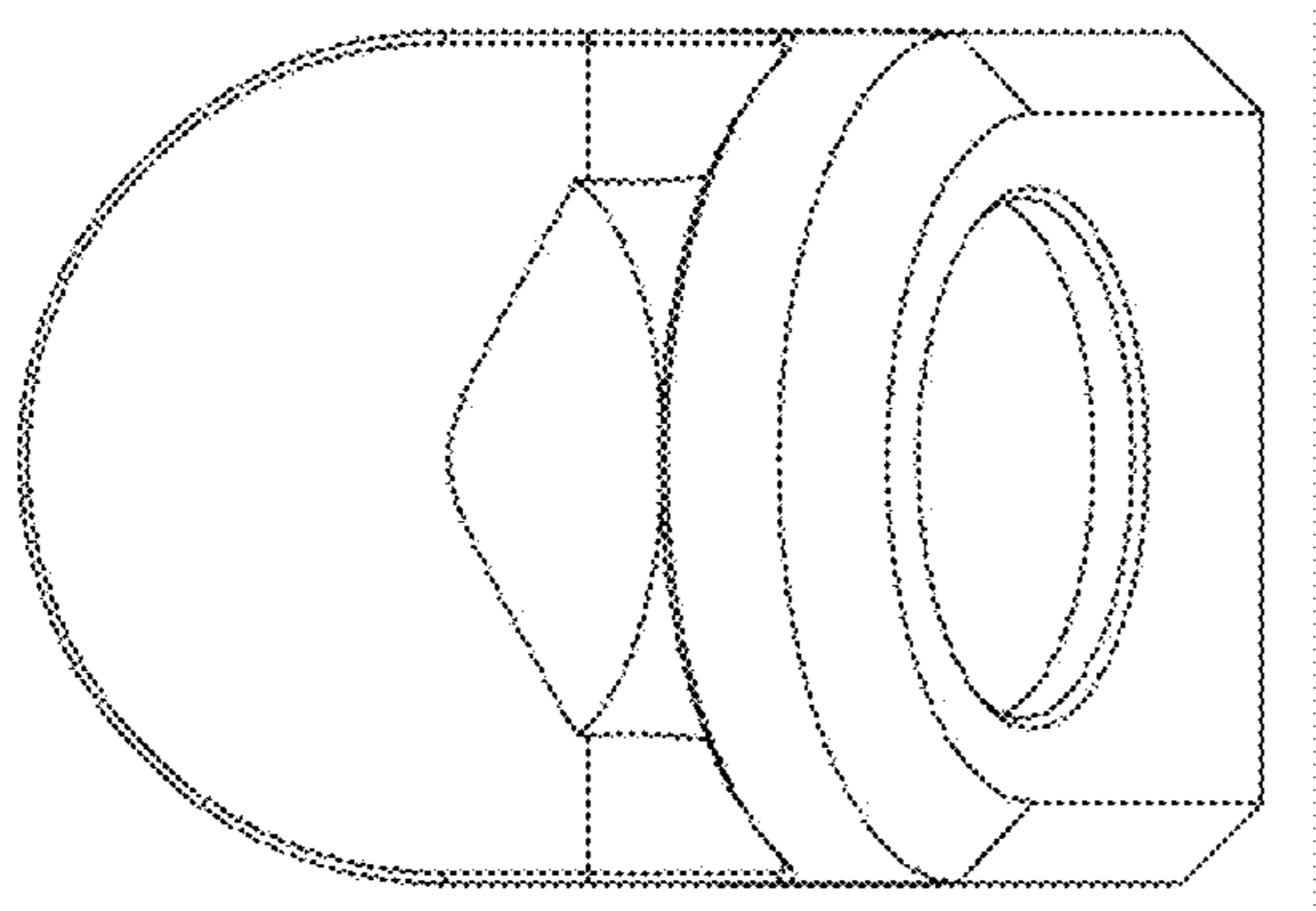


FIG. 6

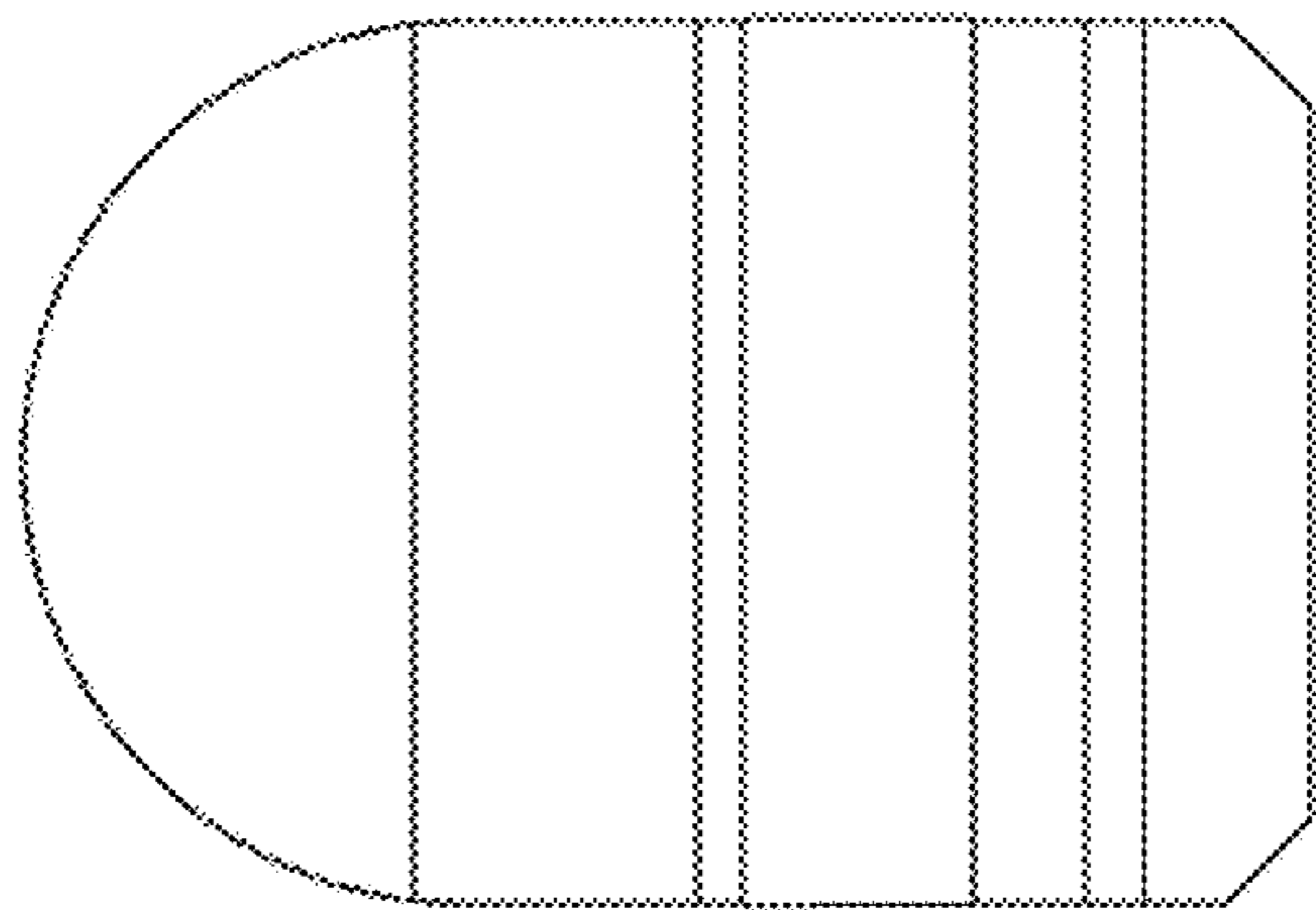


FIG. 7