



US00D921814S

(12) **United States Design Patent**  
**Oh et al.**

(10) **Patent No.:** **US D921,814 S**  
(45) **Date of Patent:** **\*\* Jun. 8, 2021**

(54) **FIREARM LOCKING DEVICE AND MOUNT**

(71) Applicant: **Vara Corporation**, Troy, NY (US)

(72) Inventors: **Timothy Oh**, Cohoes, NY (US); **Jorel Lalicki**, Watervliet, NY (US); **Austin Rivera**, Averill Park, NY (US); **Connor Laliberte**, Watervliet, NY (US); **Francine Pataray**, Troy, NY (US); **Daniel Lacey**, Albany, NY (US); **Tianyu Zuo**, Troy, NY (US)

(73) Assignee: **Vara Corporation**, Troy, NY (US)

(\*\*) Term: **15 Years**

(21) Appl. No.: **29/703,540**

(22) Filed: **Aug. 28, 2019**

(51) **LOC (13) Cl.** ..... **22-01**

(52) **U.S. Cl.**  
USPC ..... **D22/108**

(58) **Field of Classification Search**  
USPC ..... D22/108, 110  
CPC .... F41A 17/46; F41A 17/066; F41C 33/0263;  
F41C 33/0272

See application file for complete search history.

(56) **References Cited**

**U.S. PATENT DOCUMENTS**

6,339,892 B1 \* 1/2002 Ramos ..... F41A 17/02  
42/70.06  
6,601,332 B1 \* 8/2003 Riebling ..... F41A 17/54  
42/70.11

10,024,615 B1 \* 7/2018 Oh ..... E05B 47/0001  
2013/0299534 A1 \* 11/2013 Rorick ..... F41C 33/0236  
224/243  
2014/0291363 A1 \* 10/2014 Clifton, Jr. .... F41C 33/0263  
224/244  
2016/0116253 A1 \* 4/2016 Moon ..... F41C 33/0263  
224/244  
2018/0106576 A1 \* 4/2018 Tedder ..... F41C 33/0263

\* cited by examiner

*Primary Examiner* — Michael A. Pratt

(74) *Attorney, Agent, or Firm* — Hoffman Warnick LLC

(57) **CLAIM**

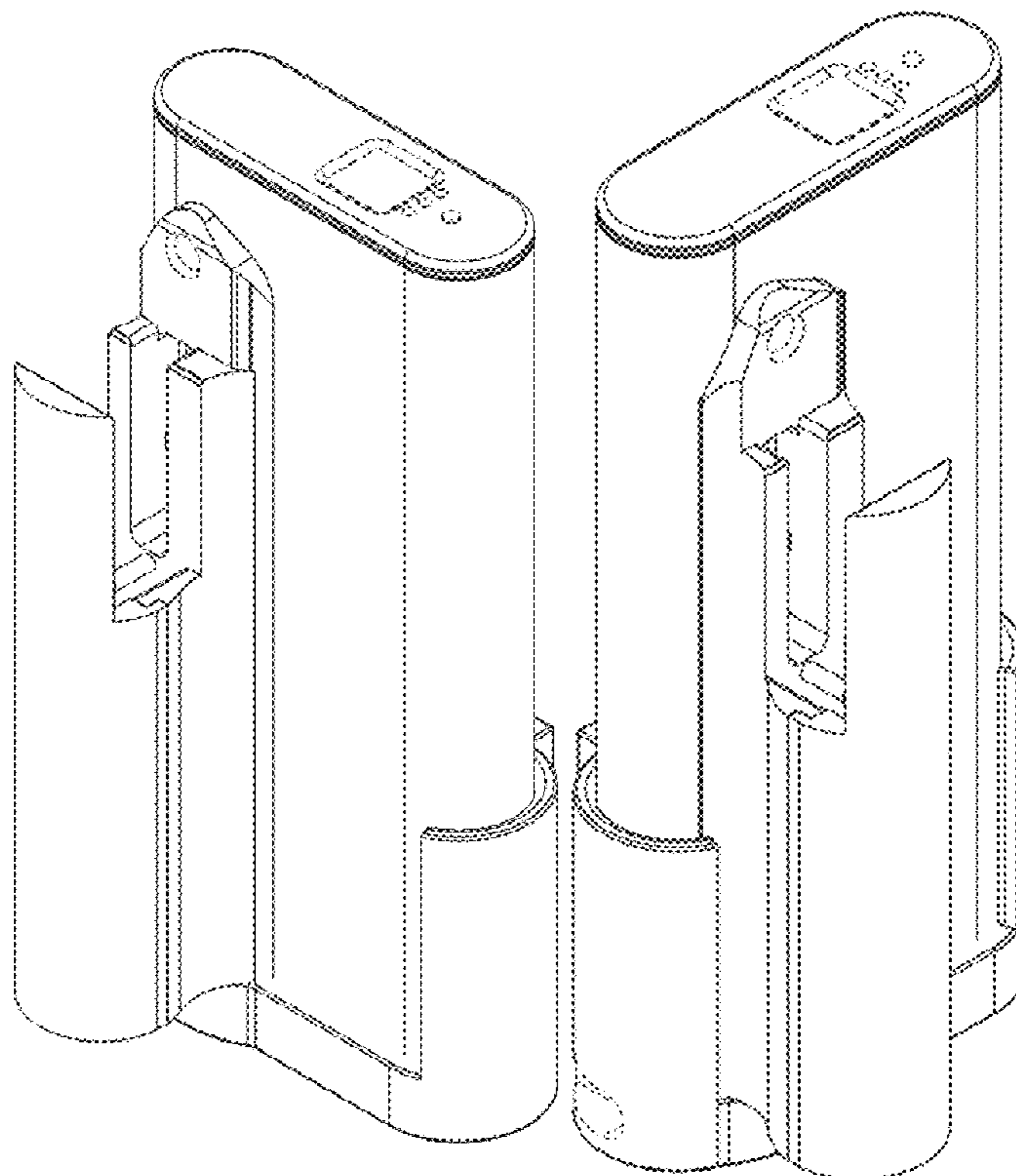
The ornamental design for a firearm locking device and mount, as shown and described.

**DESCRIPTION**

FIG. 1 is a right-front perspective view of a firearm locking device and mount in accordance with the present design; FIG. 2 is a left-front perspective view thereof; FIG. 3 is a back view thereof; FIG. 4 is a front view thereof; FIG. 5 is a top view thereof; FIG. 6 is a bottom view thereof; FIG. 7 is a right side view thereof; and, FIG. 8 is a left side view thereof.

The broken line showing of the firearm locking device and mount is for the purpose of illustrating environmental structure and forms no part of the claimed design.

**1 Claim, 7 Drawing Sheets**



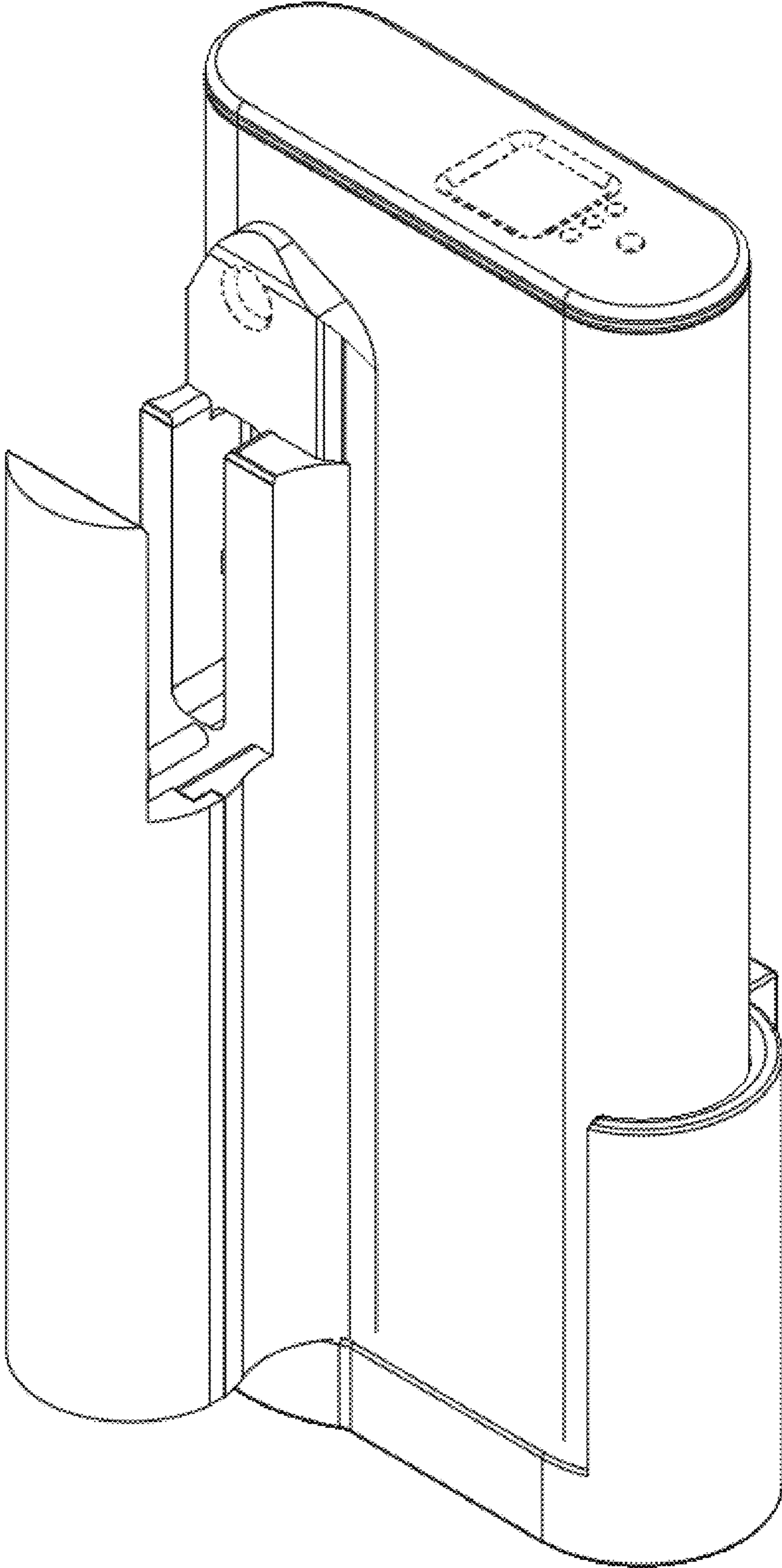


FIG 1

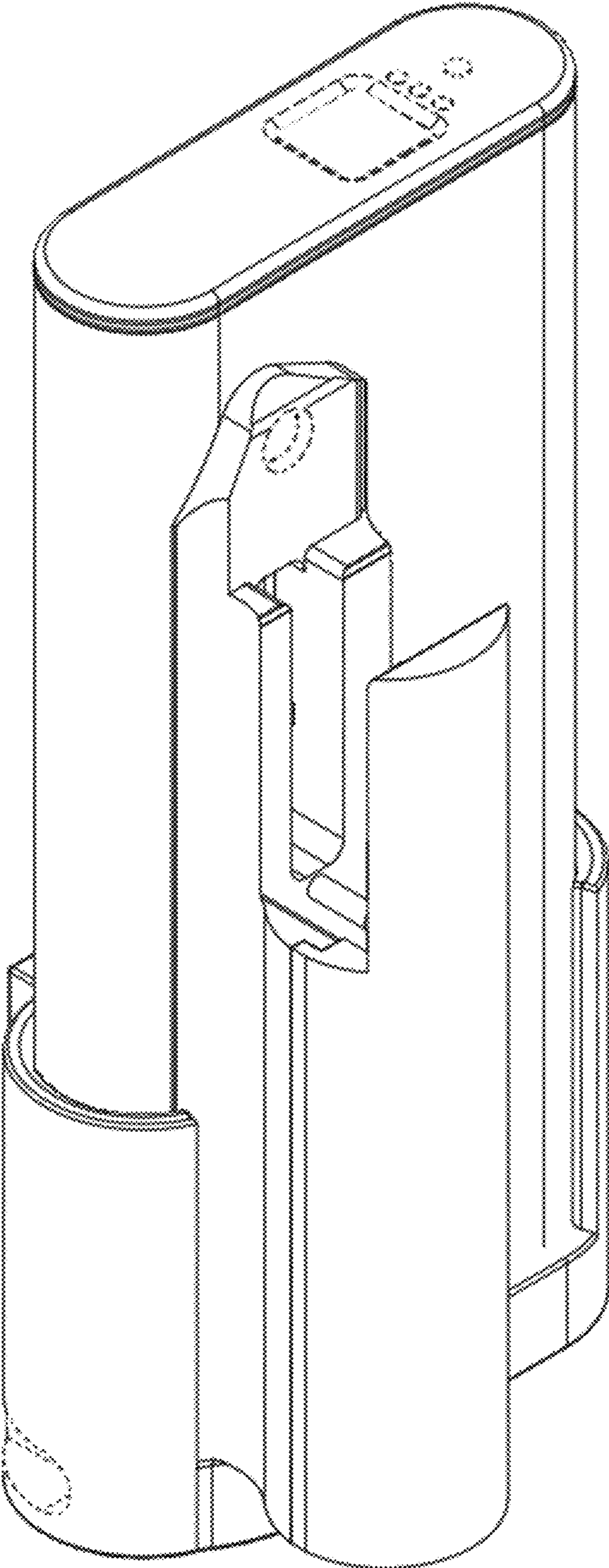
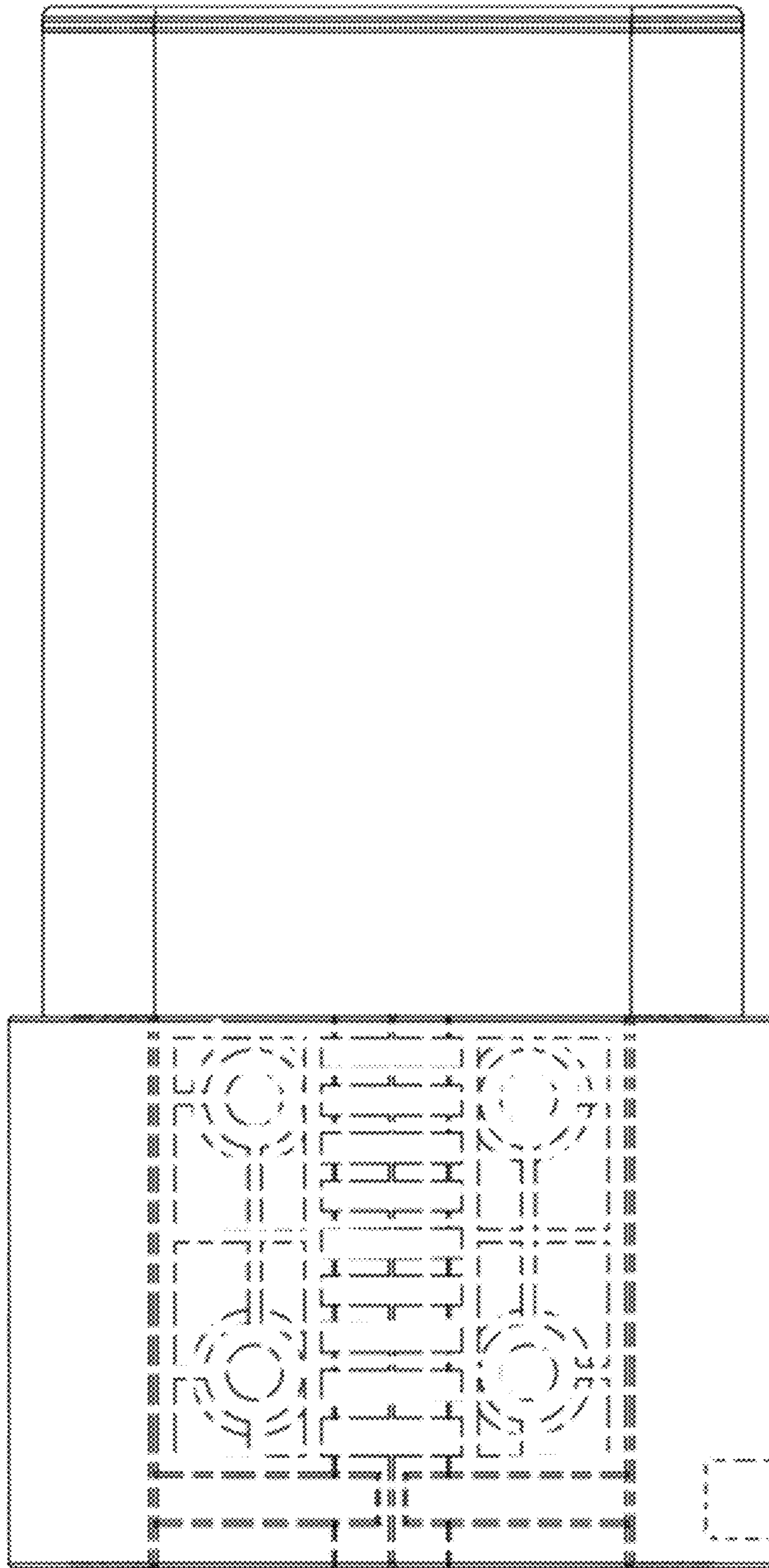


FIG 2





VARA-0001-US

FIG 3

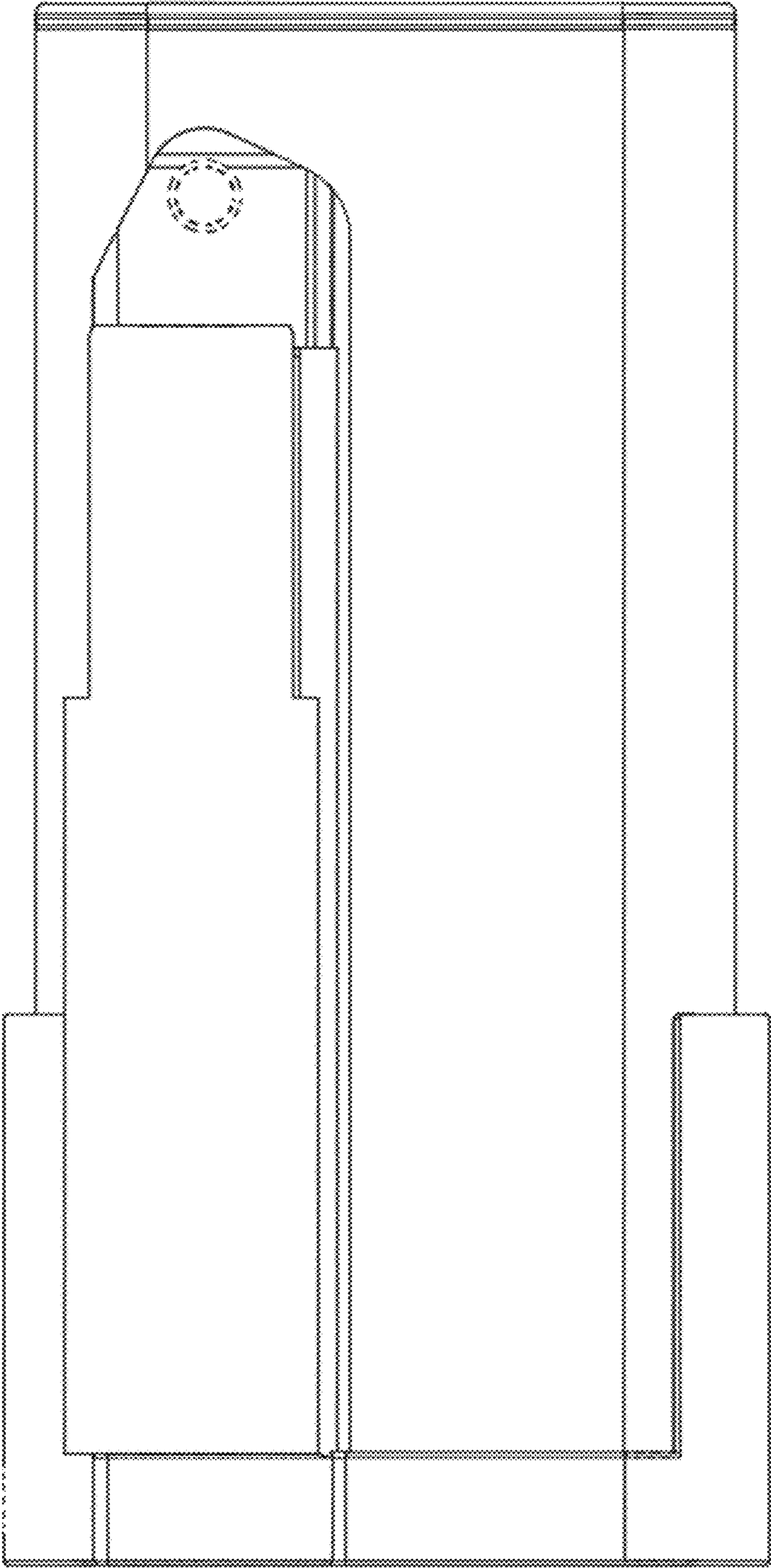


FIG 4

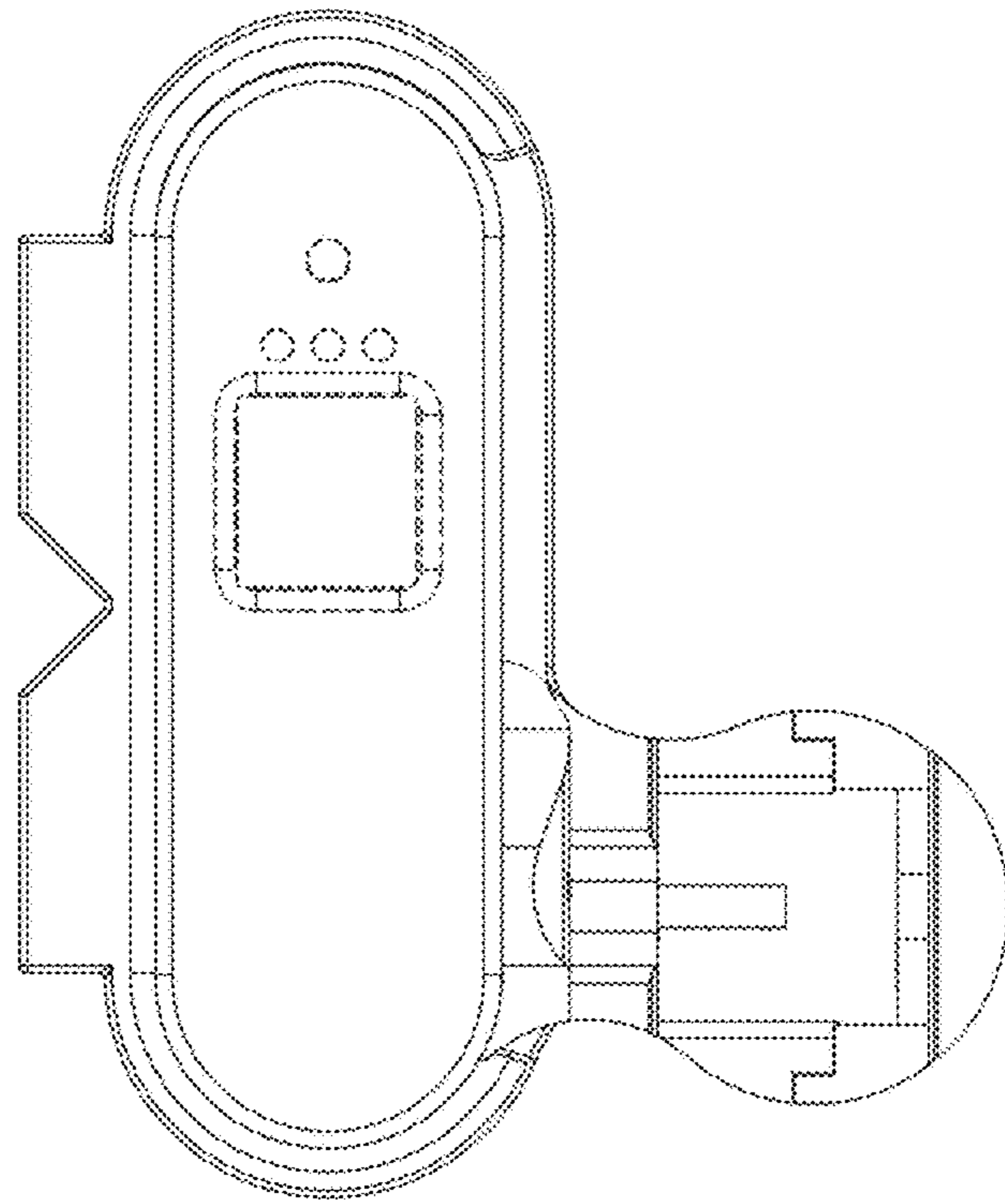


FIG 5

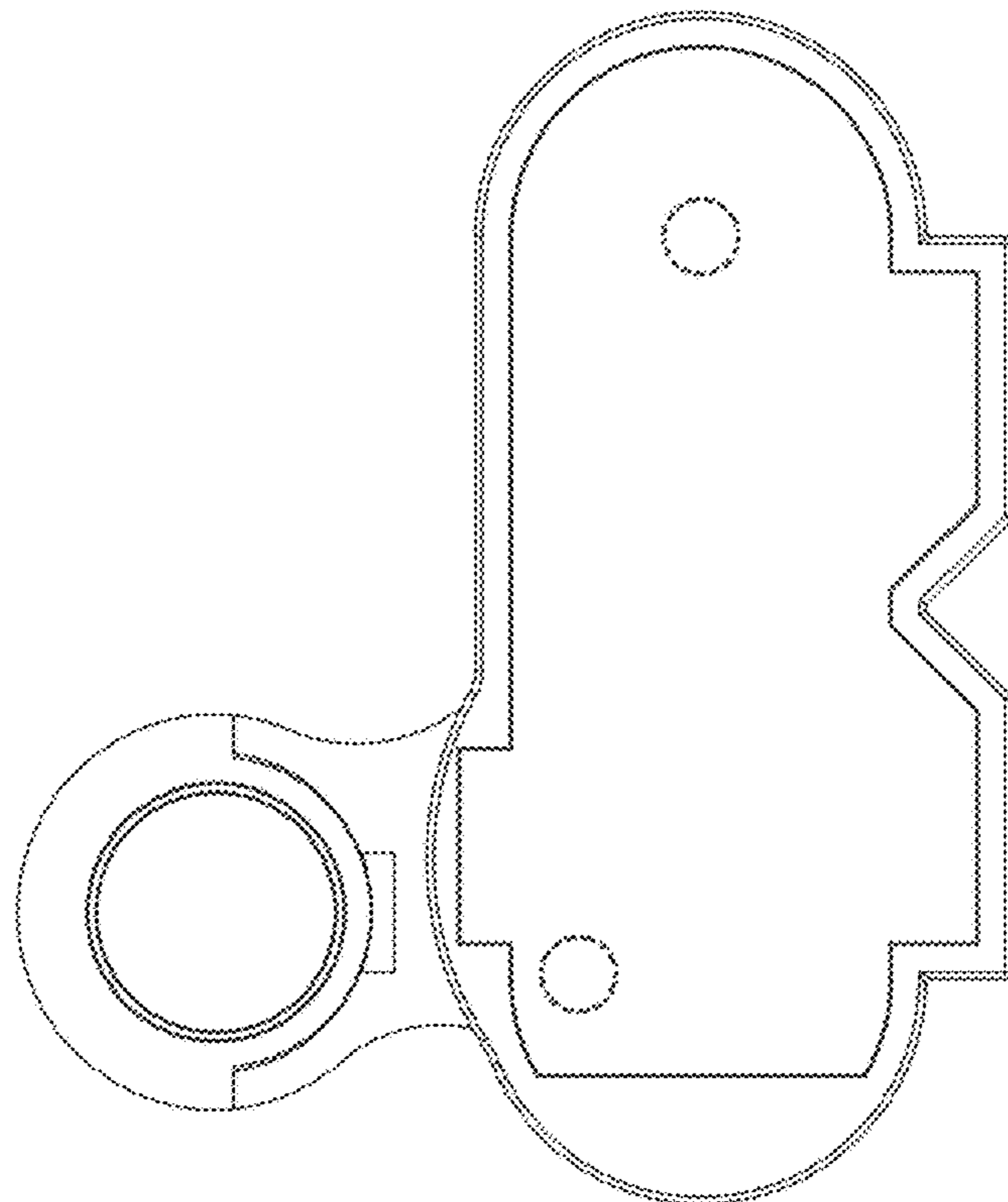


FIG 6

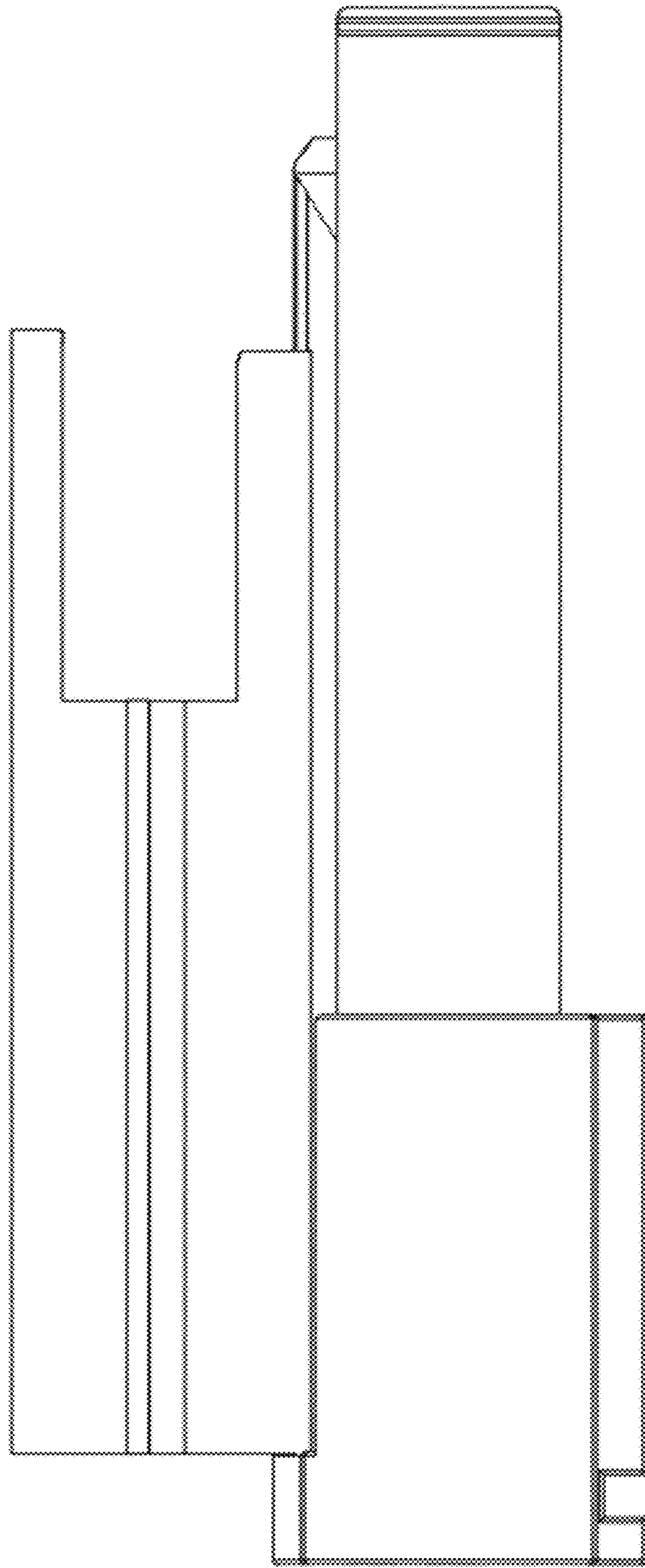
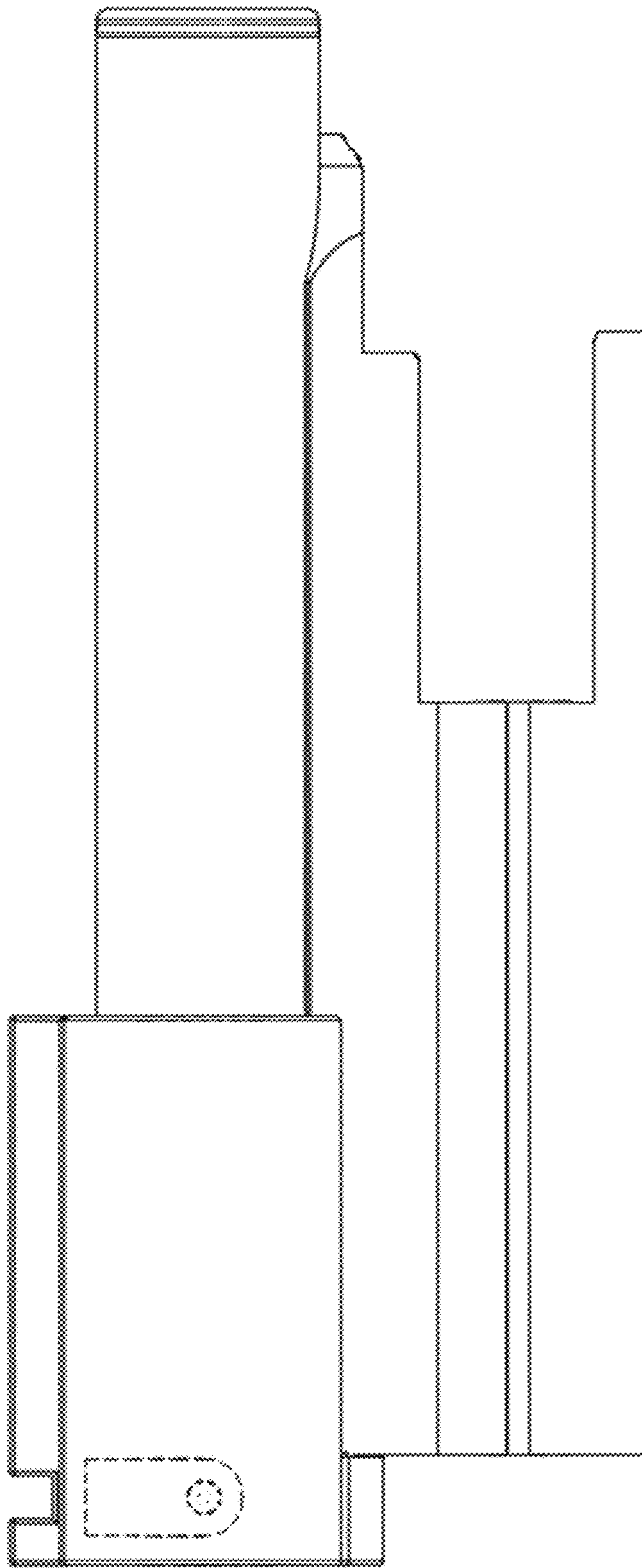


FIG 7





**VARA-0001-US**  
**FIG 8**