



US00D921812S

(12) **United States Design Patent**
Bao

(10) **Patent No.:** **US D921,812 S**

(45) **Date of Patent:** **** Jun. 8, 2021**

(54) **CONNECTOR DEVICE FOR A TENT**
(71) Applicant: **ZHEJIANG NINE BULLS CRAFTS CO., LTD**, Zhejiang (CN)
(72) Inventor: **Pan Bao**, Zhejiang (CN)
(73) Assignee: **Zhejiang Nine Bulls Crafts Co., Ltd.**, Zhejiang (CN)
(**) Term: **15 Years**

(21) Appl. No.: **29/703,615**
(22) Filed: **Aug. 28, 2019**

(30) **Foreign Application Priority Data**

Jul. 25, 2019 (CN) 201930400393.9

(51) **LOC (13) Cl.** **21-04**

(52) **U.S. Cl.**
USPC **D21/839**

(58) **Field of Classification Search**
USPC D21/834–839
CPC E04H 15/00; E04H 15/003; E04H 15/18;
E04H 15/28; E04H 15/32; E04H 15/34;
E04H 15/40; E04H 15/405; E04H 15/42;
E04H 15/425; E04H 15/44; E04H 15/52
See application file for complete search history.

(56) **References Cited**

U.S. PATENT DOCUMENTS

5,797,695 A * 8/1998 Prusmack E04H 15/32
135/145
D454,609 S * 3/2002 Meyerhoffer D21/839
9,303,427 B1 * 4/2016 Arndt E04H 15/48
2012/0291831 A1 * 11/2012 Zhou E04H 15/42
135/123
2013/0008478 A1 * 1/2013 Prieto Estebanez E04H 15/32
135/147
2013/0206198 A1 * 8/2013 Kouzmanoff E04H 15/32
135/121

2014/0182643 A1 * 7/2014 Yang E04H 15/42
135/147
2014/0202511 A1 * 7/2014 Choi E04H 15/32
135/120.3
2014/0251394 A1 * 9/2014 Ma A45B 25/08
135/19.5
2014/0338711 A1 * 11/2014 Choi E04H 15/48
135/120.3
2015/0129008 A1 * 5/2015 Li E04H 15/44
135/147
2015/0159397 A1 * 6/2015 Choi E04H 15/32
135/120.3

(Continued)

Primary Examiner — Cynthia M. Chin

(74) *Attorney, Agent, or Firm* — Thomas Horstemeyer, LLP

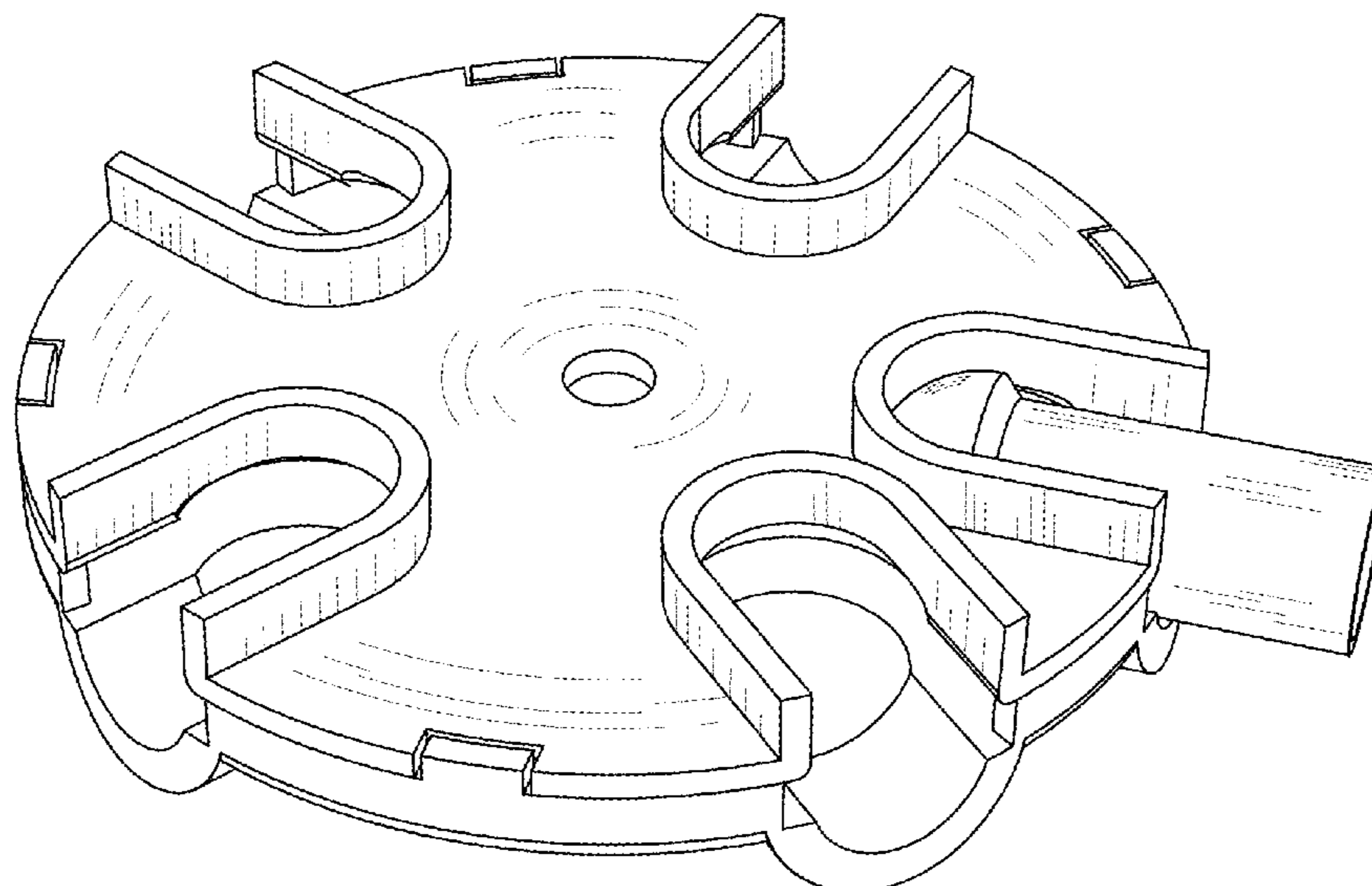
(57) **CLAIM**

The ornamental design for a connector device for a tent, as shown and described.

DESCRIPTION

FIG. 1 is a front view of the connector device for a tent according to the present design;
FIG. 2 is a back view of the connector device for a tent of FIG. 1;
FIG. 3 is a top view of the connector device for a tent of FIG. 1;
FIG. 4 is a bottom view of the connector device for a tent of FIG. 1;
FIG. 5 is a right view of the connector device for a tent of FIG. 1;
FIG. 6 is a left view of the connector device for a tent of FIG. 1;
FIG. 7 is a front perspective view of the connector device for a tent of FIG. 1; and,
FIG. 8 is a back perspective view of the connector device for a tent of FIG. 1.

1 Claim, 8 Drawing Sheets



(56)

References Cited

U.S. PATENT DOCUMENTS

2015/0167343	A1*	6/2015	Fang	E04H 15/32 135/120.3
2015/0240513	A1*	8/2015	Fang	E04H 15/32 135/120.3
2015/0284974	A1*	10/2015	Choi	E04H 15/32 135/120.3

* cited by examiner

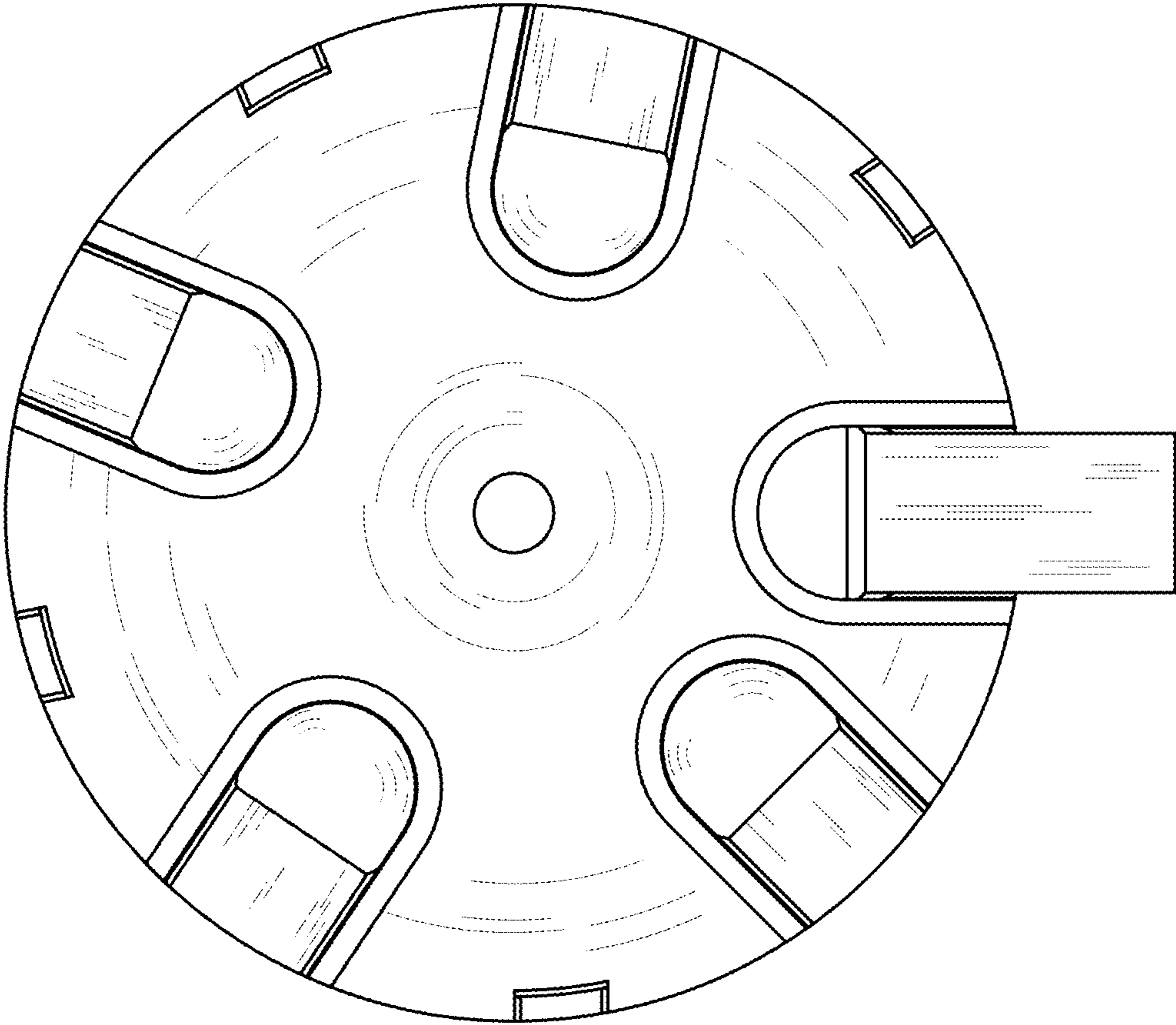


FIG. 1

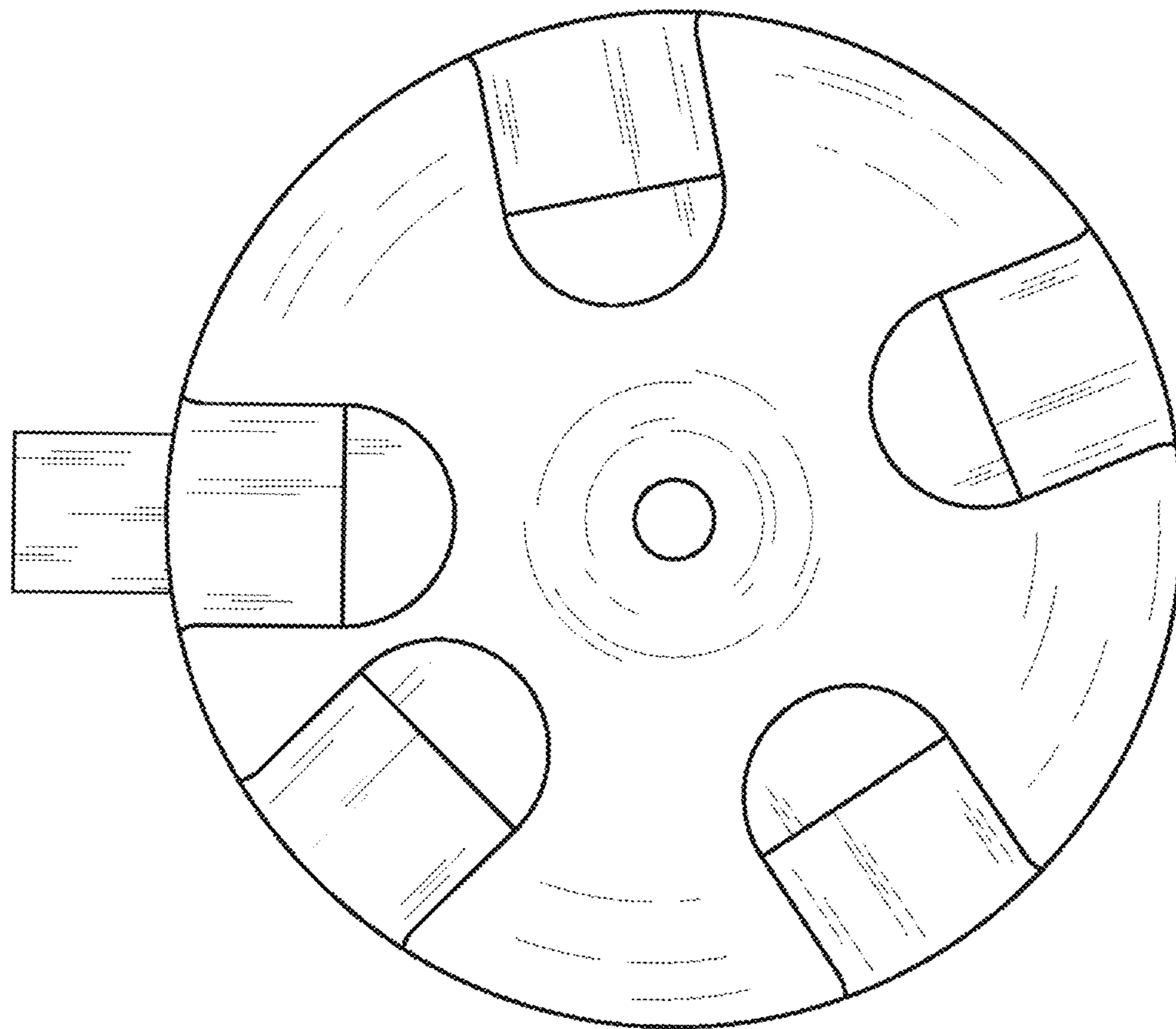


FIG. 2

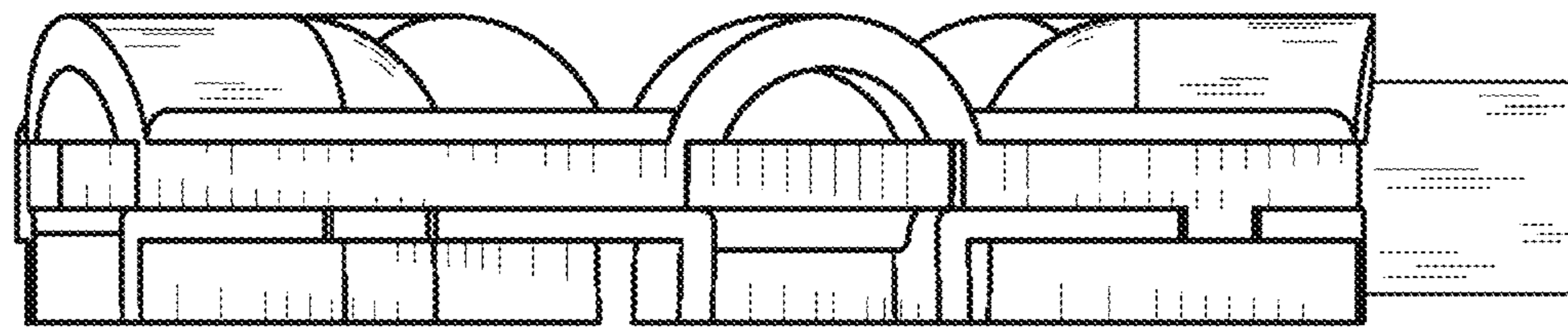


FIG. 3

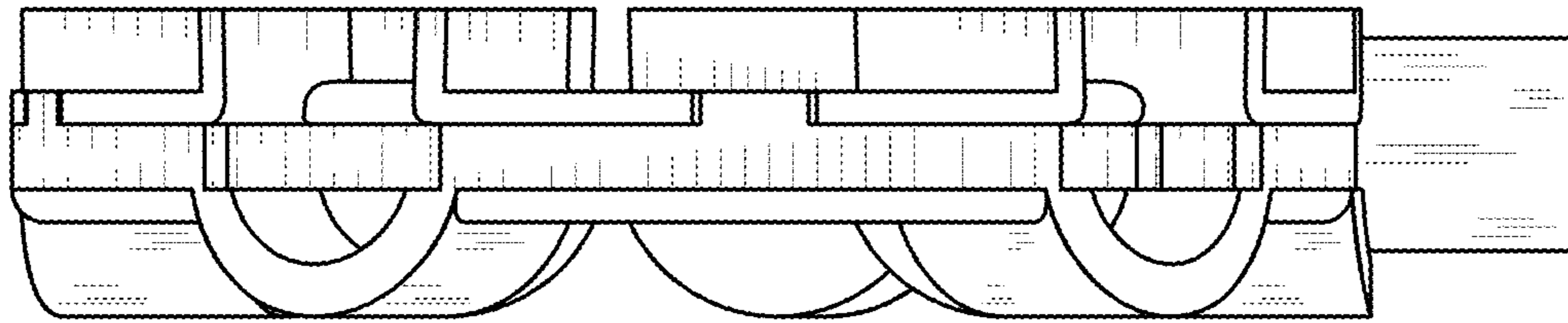


FIG. 4

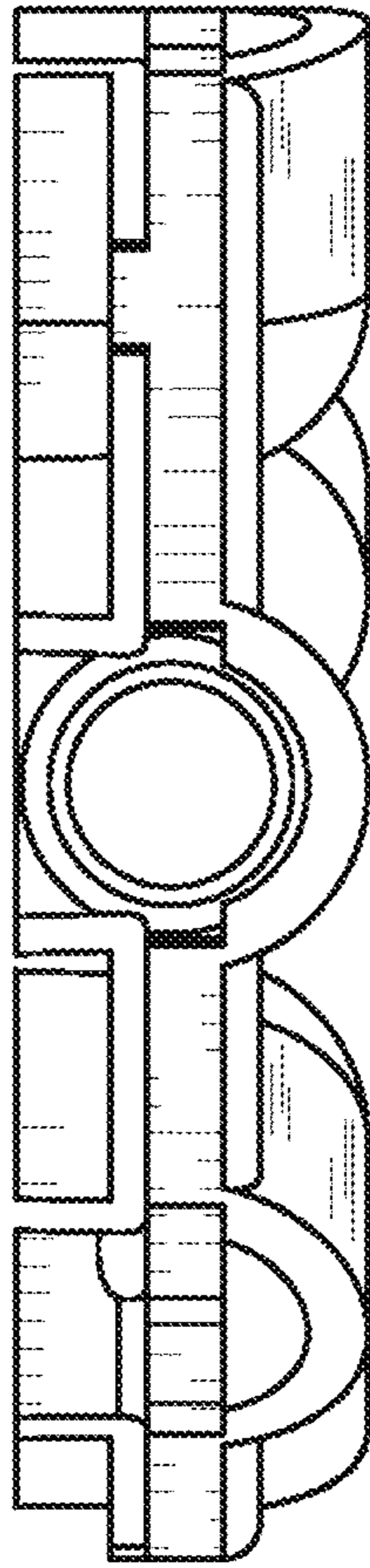


FIG. 5

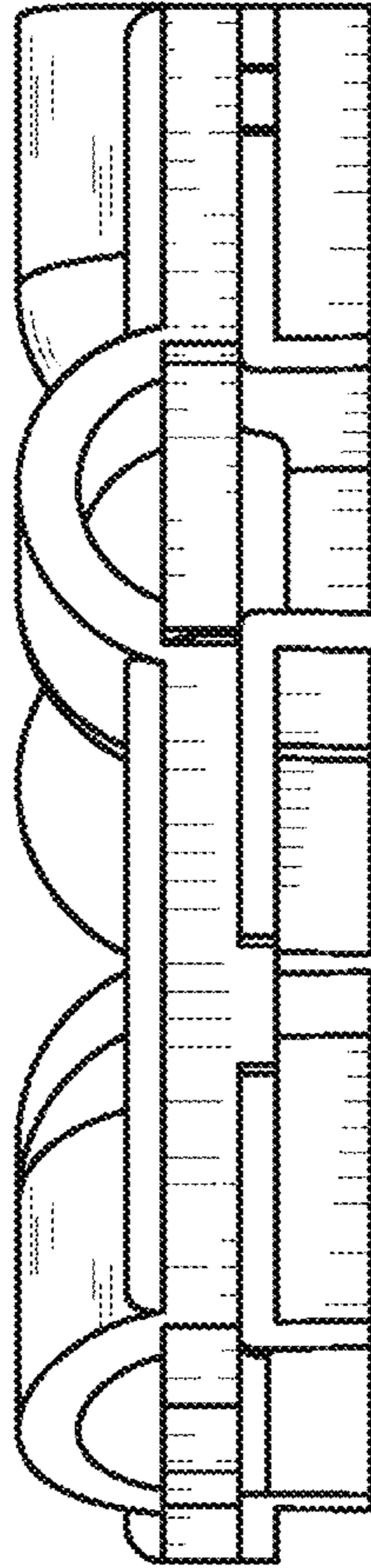


FIG. 6

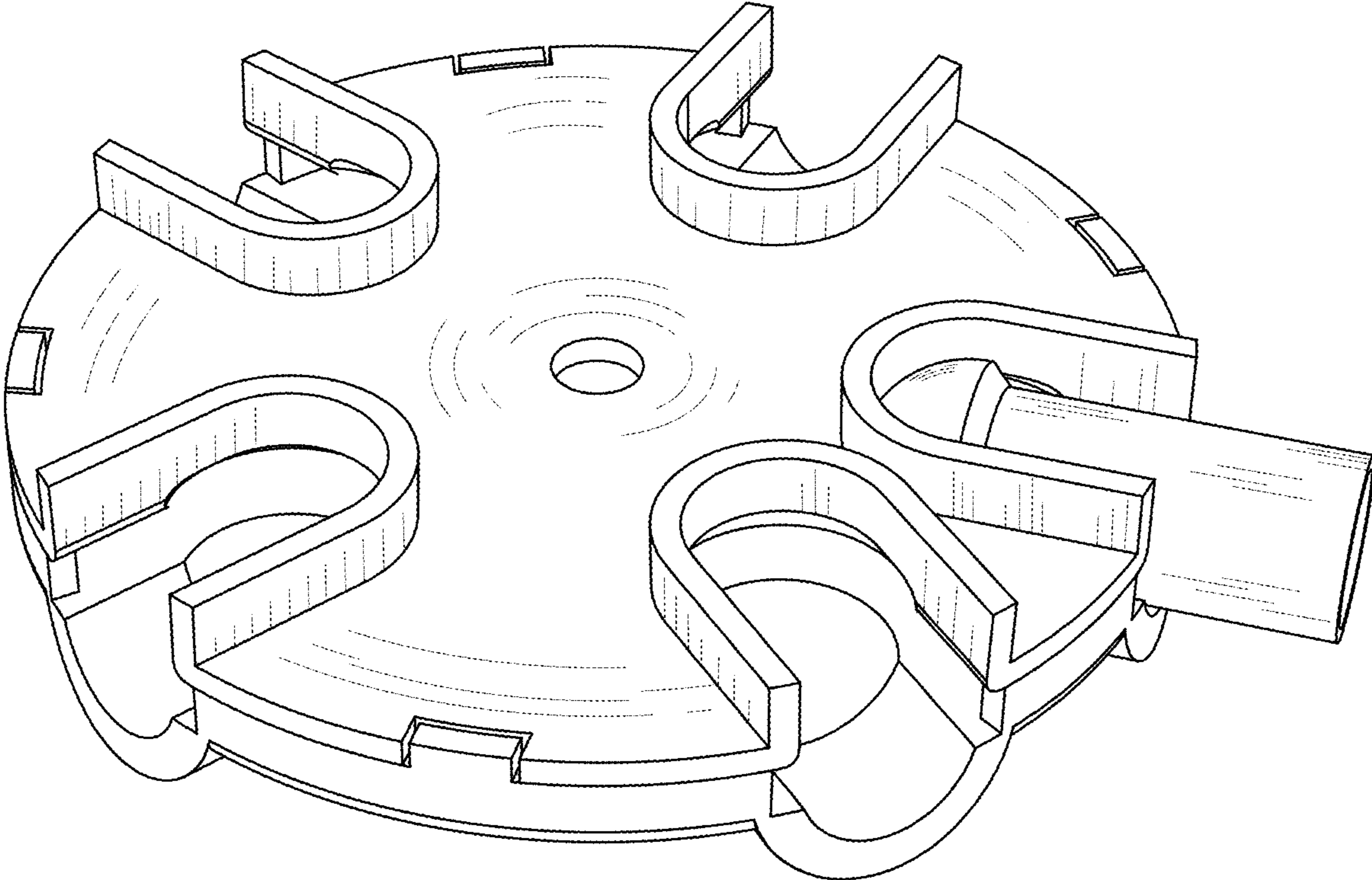


FIG. 7

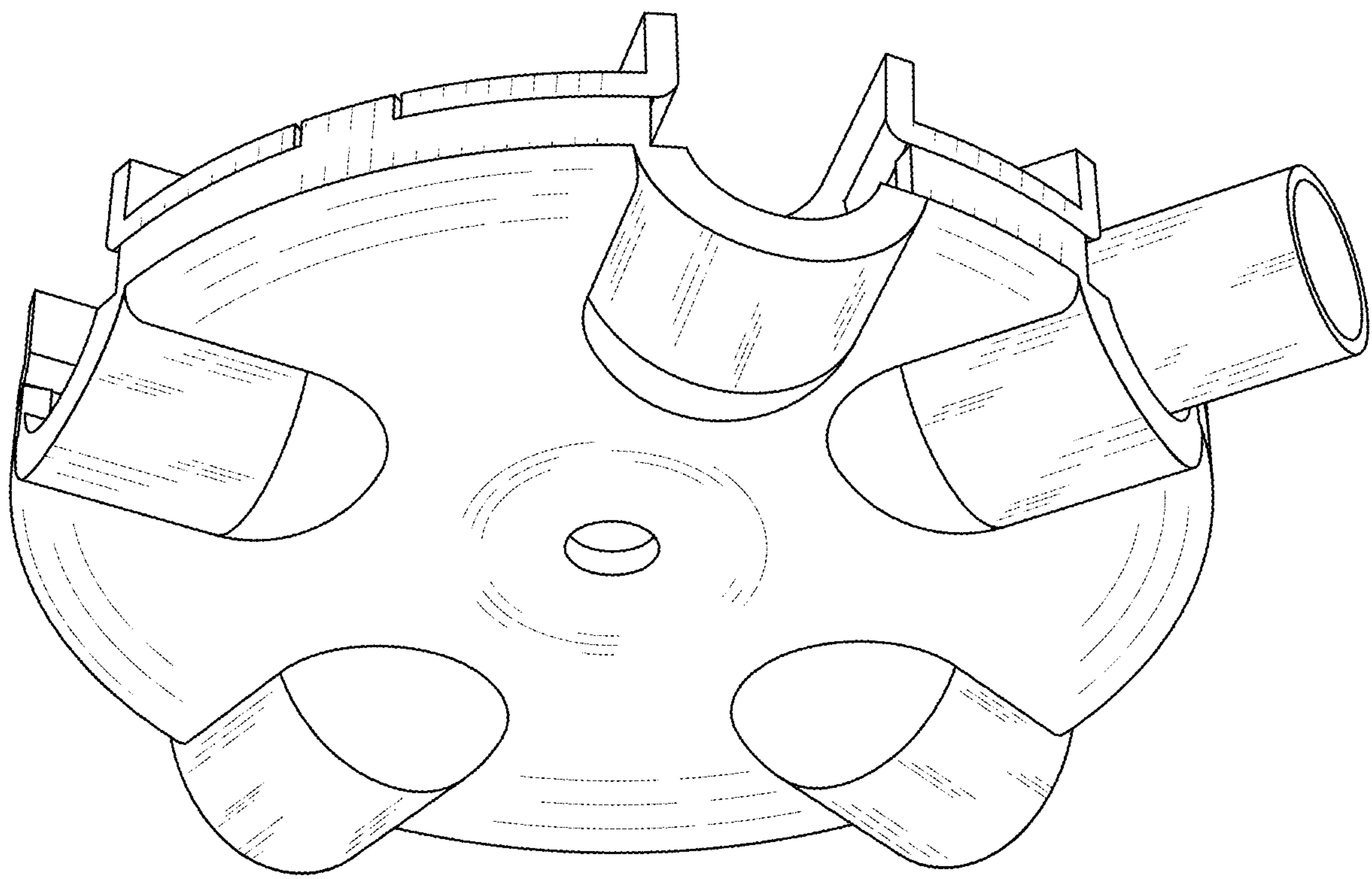


FIG. 8