



US00D921810S

(12) **United States Design Patent**
Putnam

(10) **Patent No.:** **US D921,810 S**
(45) **Date of Patent:** **** Jun. 8, 2021**

- (54) **FOOTBALL SWING**
- (71) Applicant: **First Season, LLC**, Monroe, CT (US)
- (72) Inventor: **Michael Putnam**, Monroe, CT (US)
- (73) Assignee: **First Season, LLC**, Monroe, CT (US)
- (**) Term: **15 Years**
- (21) Appl. No.: **29/689,355**
- (22) Filed: **Apr. 29, 2019**
- (51) **LOC (13) Cl.** **21-03**
- (52) **U.S. Cl.**
USPC **D21/825**
- (58) **Field of Classification Search**
USPC D21/811, 814, 822–825, 780, 781, 788,
D21/799.1, 708–709, 713; D6/334, 386,
D6/677, 716
CPC A63G 9/00–22; A45F 3/26; A47C 3/12;
A47C 3/0255
See application file for complete search history.

D539,048 S *	3/2007	Zimmermann	D6/358
D539,049 S *	3/2007	Zimmermann	D6/358
D539,050 S *	3/2007	Zimmermann	D6/358
9,861,181 B2 *	1/2018	Wehner	A47C 3/0252
D814,813 S *	4/2018	Hassman	D6/345
D817,013 S *	5/2018	Hassman	D6/345
D819,348 S *	6/2018	Hassman	D6/345
D819,989 S *	6/2018	Hassman	D6/345
D820,605 S *	6/2018	Hassman	D6/345
D820,606 S *	6/2018	Hassman	D6/345
D829,454 S *	10/2018	Wehner	D6/345
D831,988 S *	10/2018	Passmore	D6/334
D861,365 S *	10/2019	Figdor	D6/364
D865,383 S *	11/2019	Wehner	D6/347

(Continued)

Primary Examiner — Mitchell I. Siegel
(74) *Attorney, Agent, or Firm* — Whitmyer IP Group LLC

(57) **CLAIM**

The ornamental design for a football swing, as shown and described.

DESCRIPTION

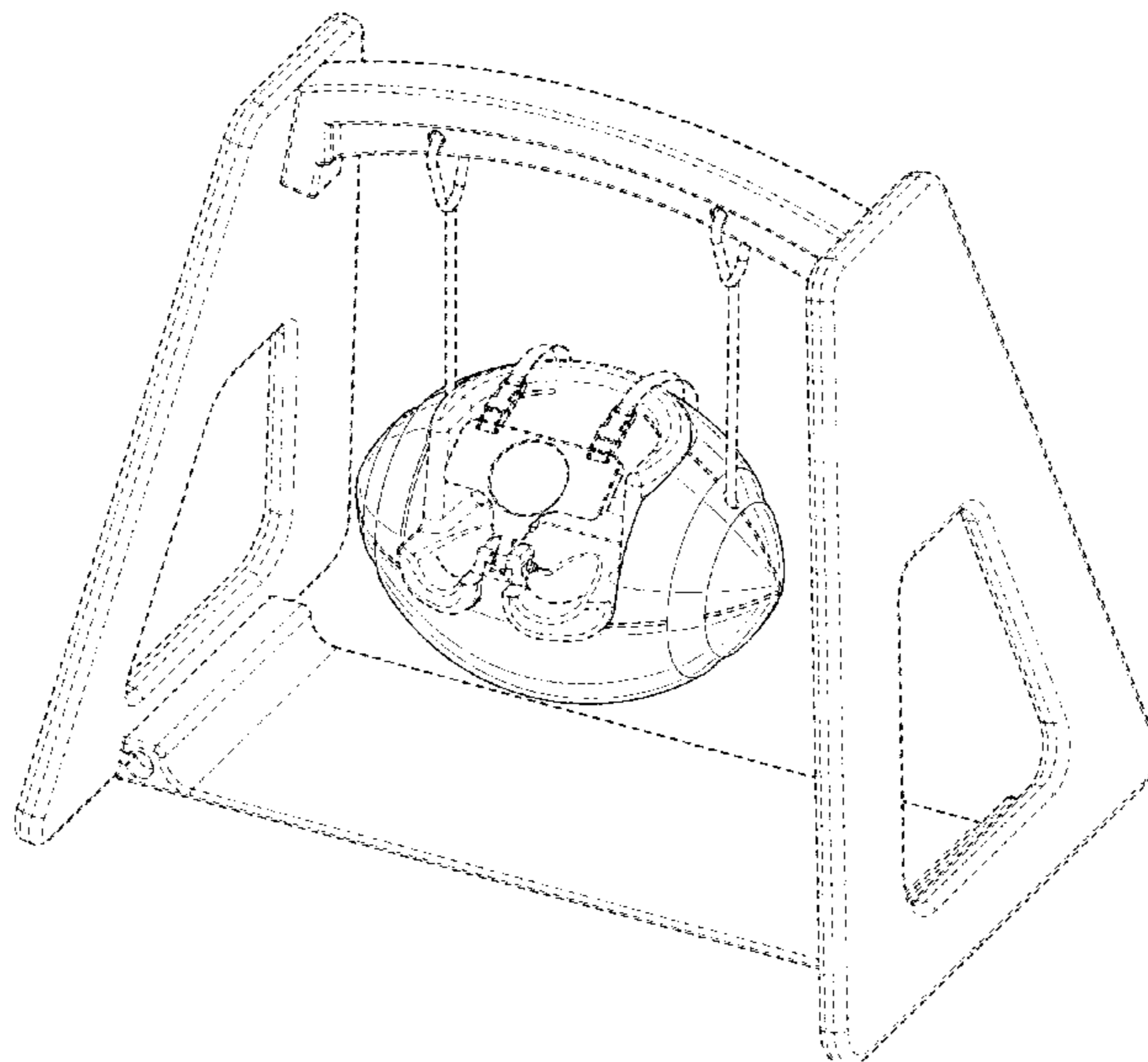
FIG. 1 is a front isometric view of a football swing in accordance with the new design;
 FIG. 2 is a front elevational view thereof with a seat insert removed;
 FIG. 3 is a rear elevational view thereof with a seat insert removed;
 FIG. 4 is a right side elevational view thereof with a seat insert removed;
 FIG. 5 is a left side elevational view thereof with a seat insert removed;
 FIG. 6 is a top plan view thereof with a seat insert removed;
 and,
 FIG. 7 is a bottom plan view thereof.
 The broken lines shown in the drawings illustrate portions of the article that form no part of the claimed design.

1 Claim, 7 Drawing Sheets

(56) **References Cited**

U.S. PATENT DOCUMENTS

D212,801 S *	11/1968	Aarnio	D6/365
D223,444 S *	4/1972	Glaser	D6/335
D227,053 S *	6/1973	Ris	D6/365
D255,719 S *	7/1980	Panzini	D25/16
D272,260 S *	1/1984	Budde	D21/825
D273,967 S *	5/1984	Budde	D21/825
D274,286 S *	6/1984	Budde	D21/825
D274,347 S *	6/1984	Budde	D21/825
D282,970 S *	3/1986	Parkin	D25/16
D315,644 S *	3/1991	White	D6/344
D327,376 S *	6/1992	Piccamiglio	D21/709
D340,105 S *	10/1993	Houry	D21/825
D346,070 S *	4/1994	Kither	D6/333
D348,361 S *	7/1994	Beecher	D6/364
6,116,682 A *	9/2000	Baur	A47C 3/12
				297/118
D471,843 S *	3/2003	Hall	D12/16



(56)

References Cited

U.S. PATENT DOCUMENTS

10,478,736 B1 * 11/2019 McNeill A47D 15/006
D871,785 S * 1/2020 Wehner D6/347
D885,069 S * 5/2020 McNeill D6/344
D885,070 S * 5/2020 McNeill D6/344
D889,144 S * 7/2020 Wehner D6/345
D898,397 S * 10/2020 Wehner D6/370
D899,166 S * 10/2020 Wehner D6/716
2003/0024448 A1 * 2/2003 Lieberman A47B 13/16
108/161
2006/0119144 A1 * 6/2006 Alexakis A47D 13/105
297/184.1
2007/0283611 A1 * 12/2007 Laurent G09F 23/14
40/700
2014/0000026 A1 * 1/2014 Ou A45F 3/22
5/120

* cited by examiner

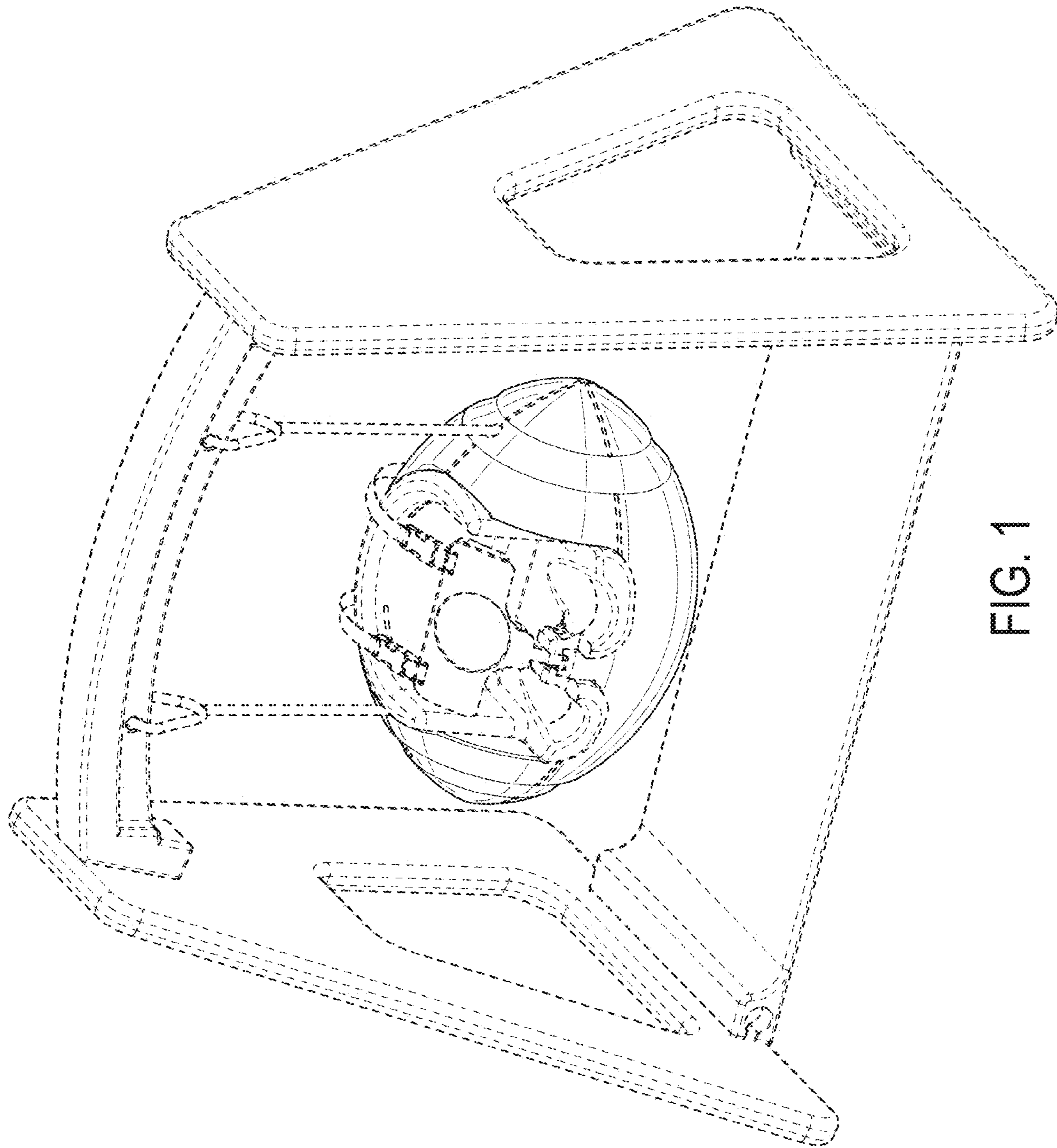


FIG. 1

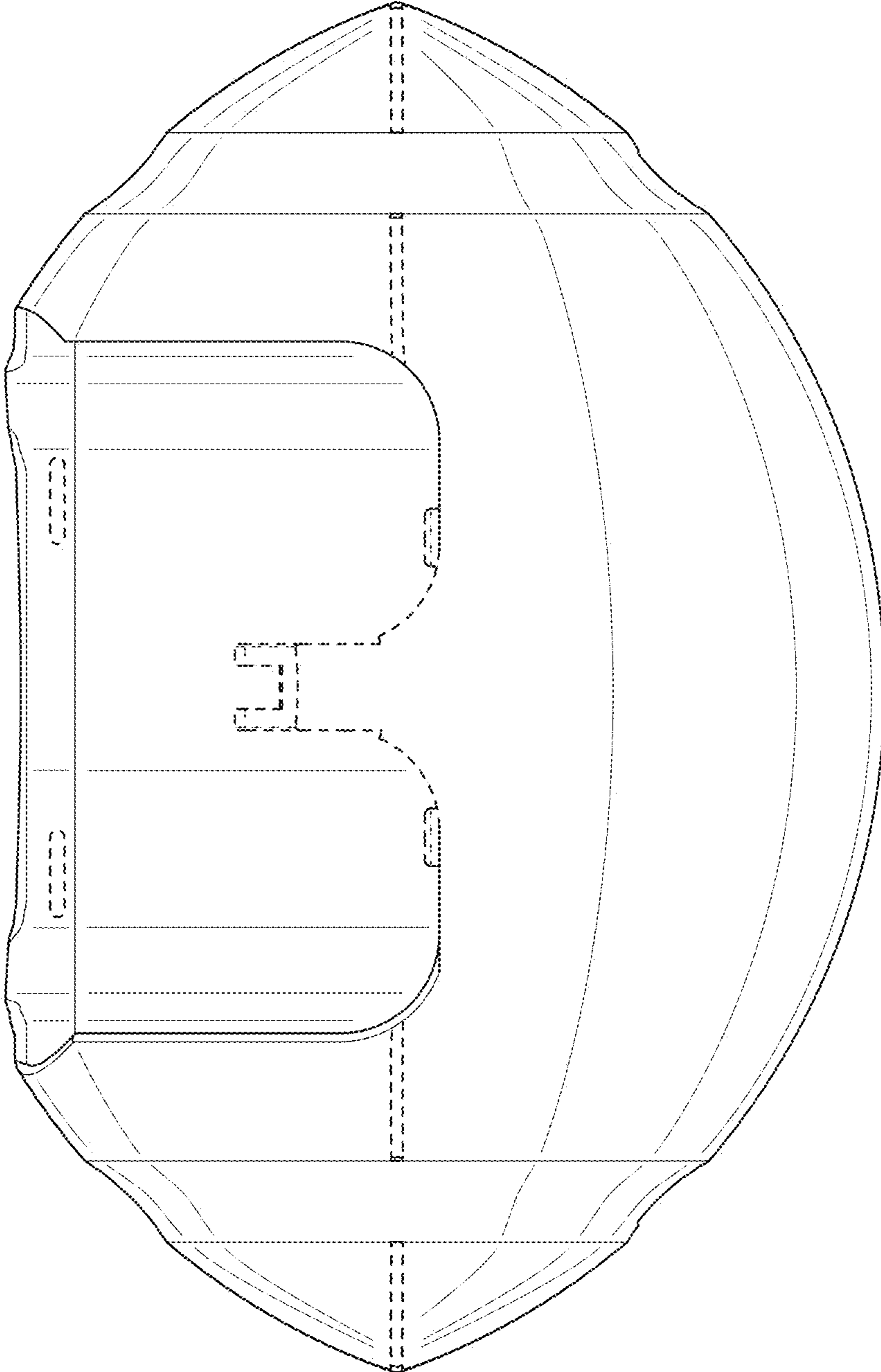


FIG. 2

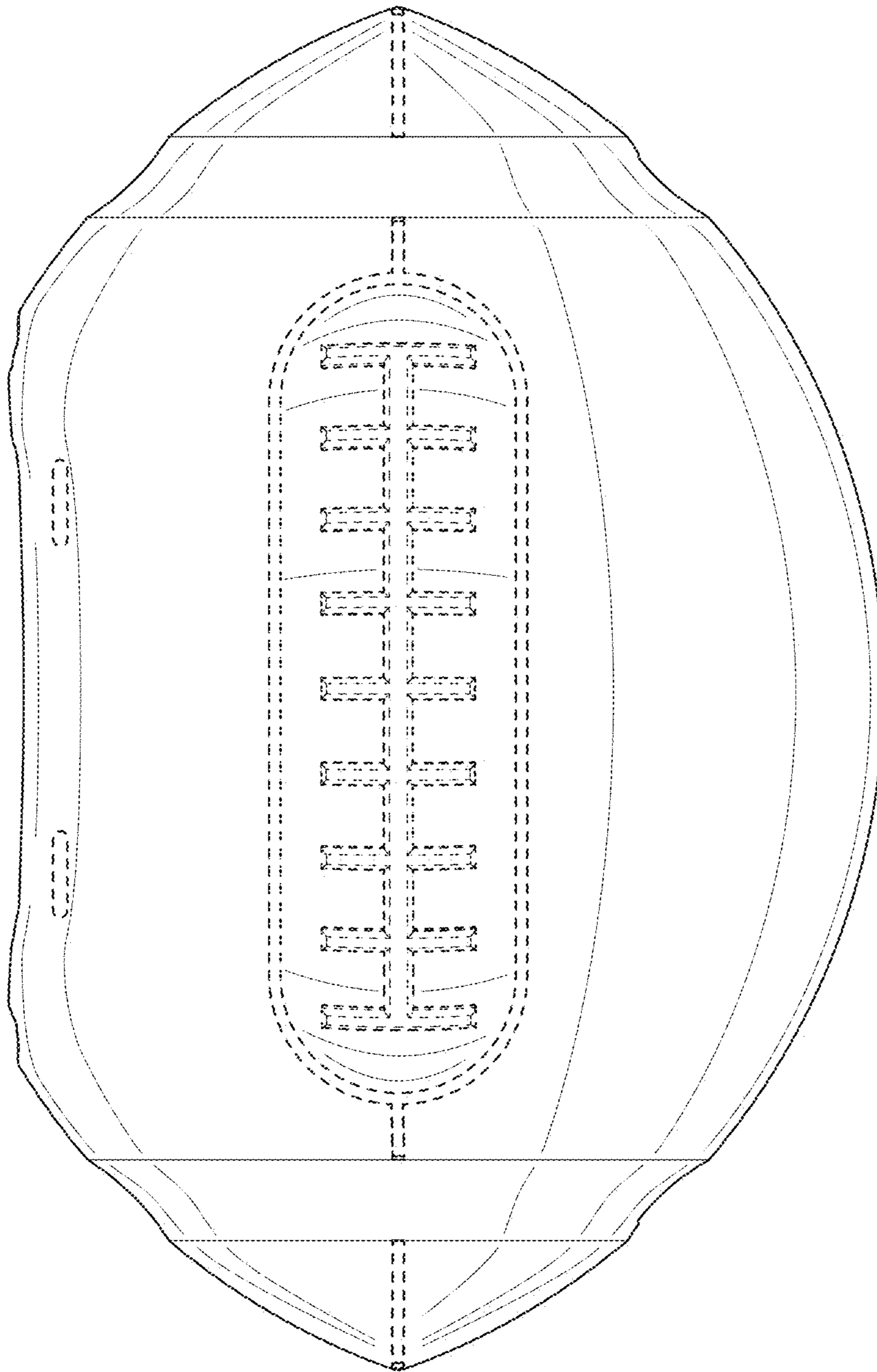


FIG. 3

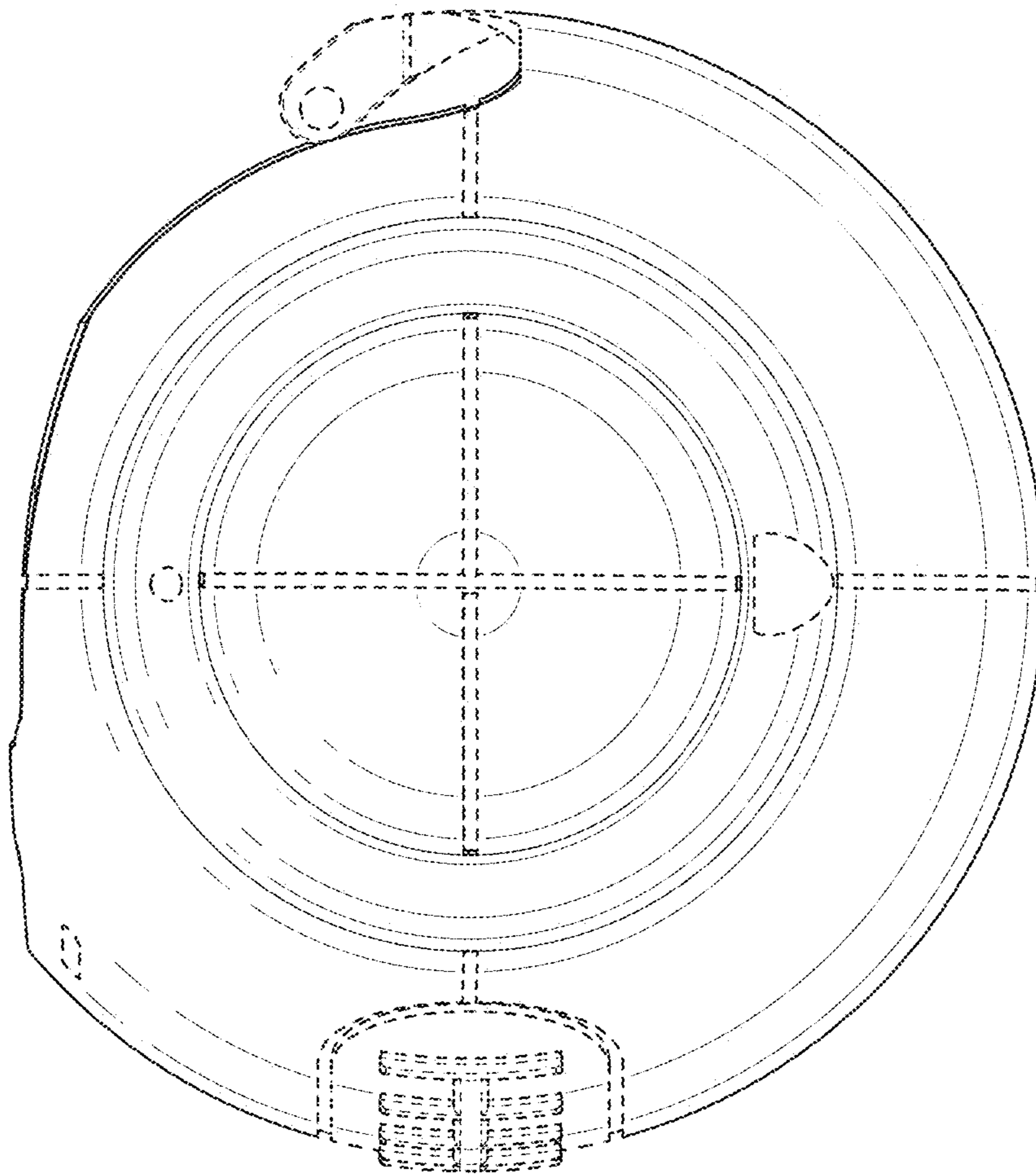


FIG. 4

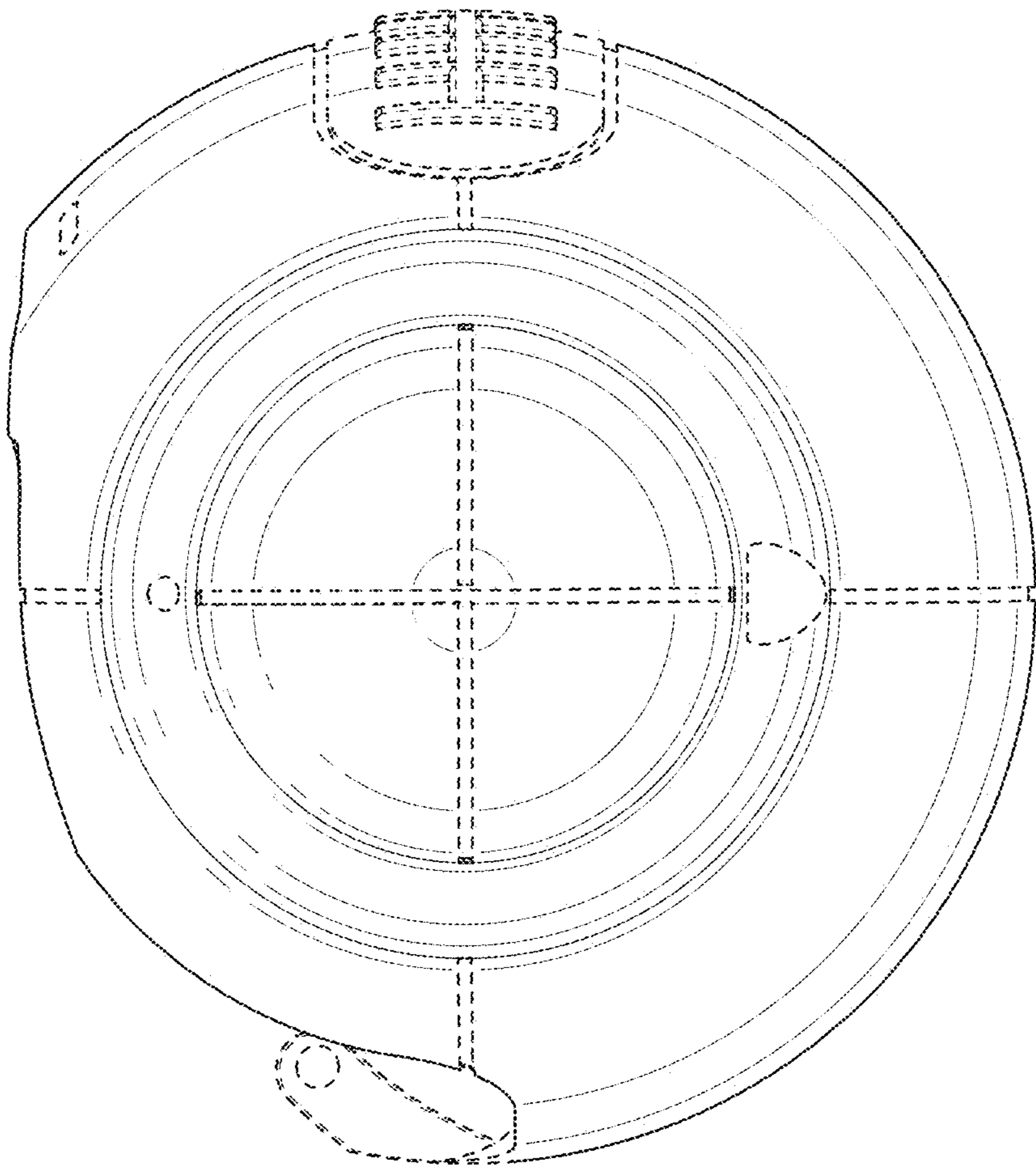


FIG. 5

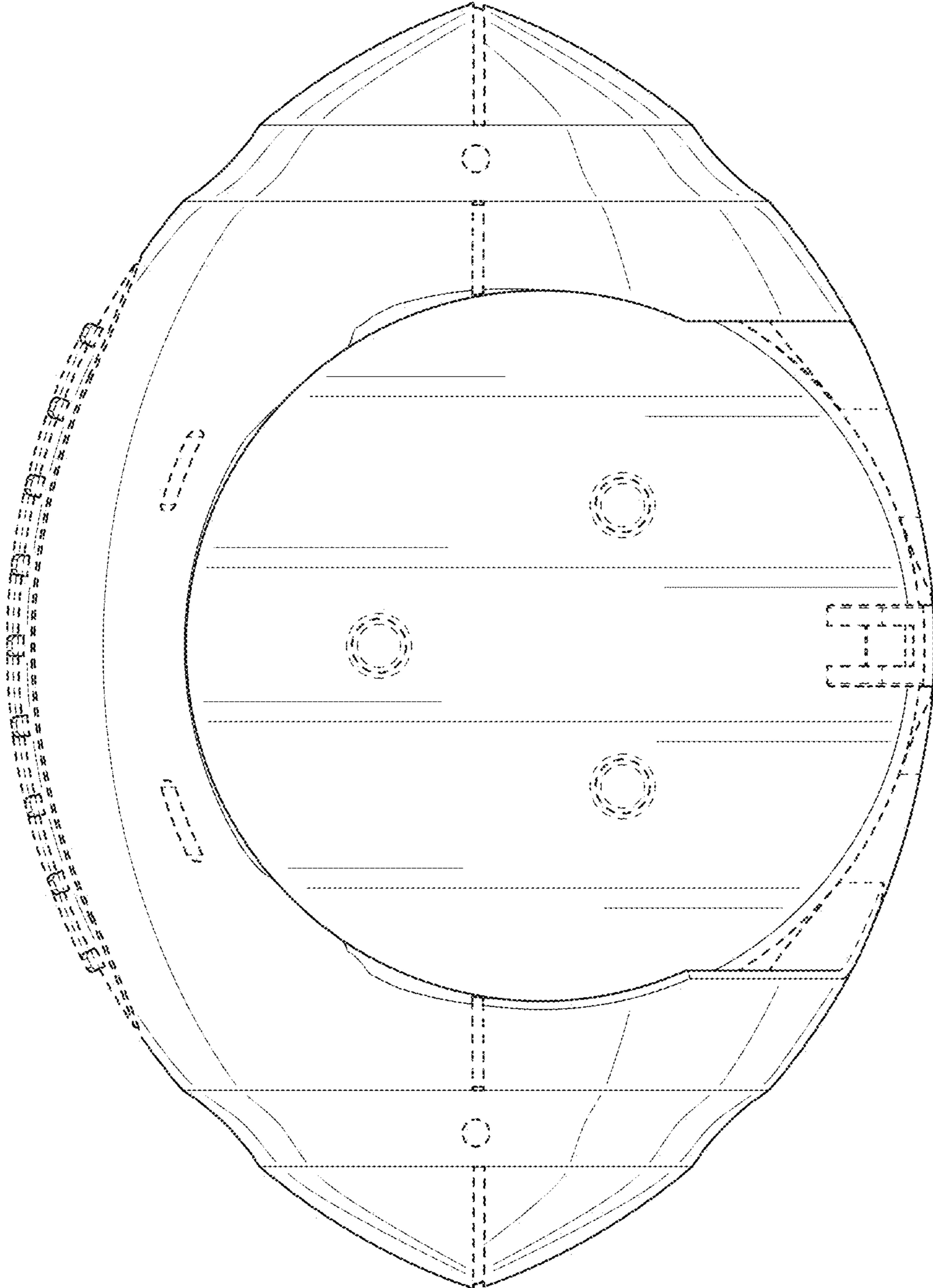


FIG. 6

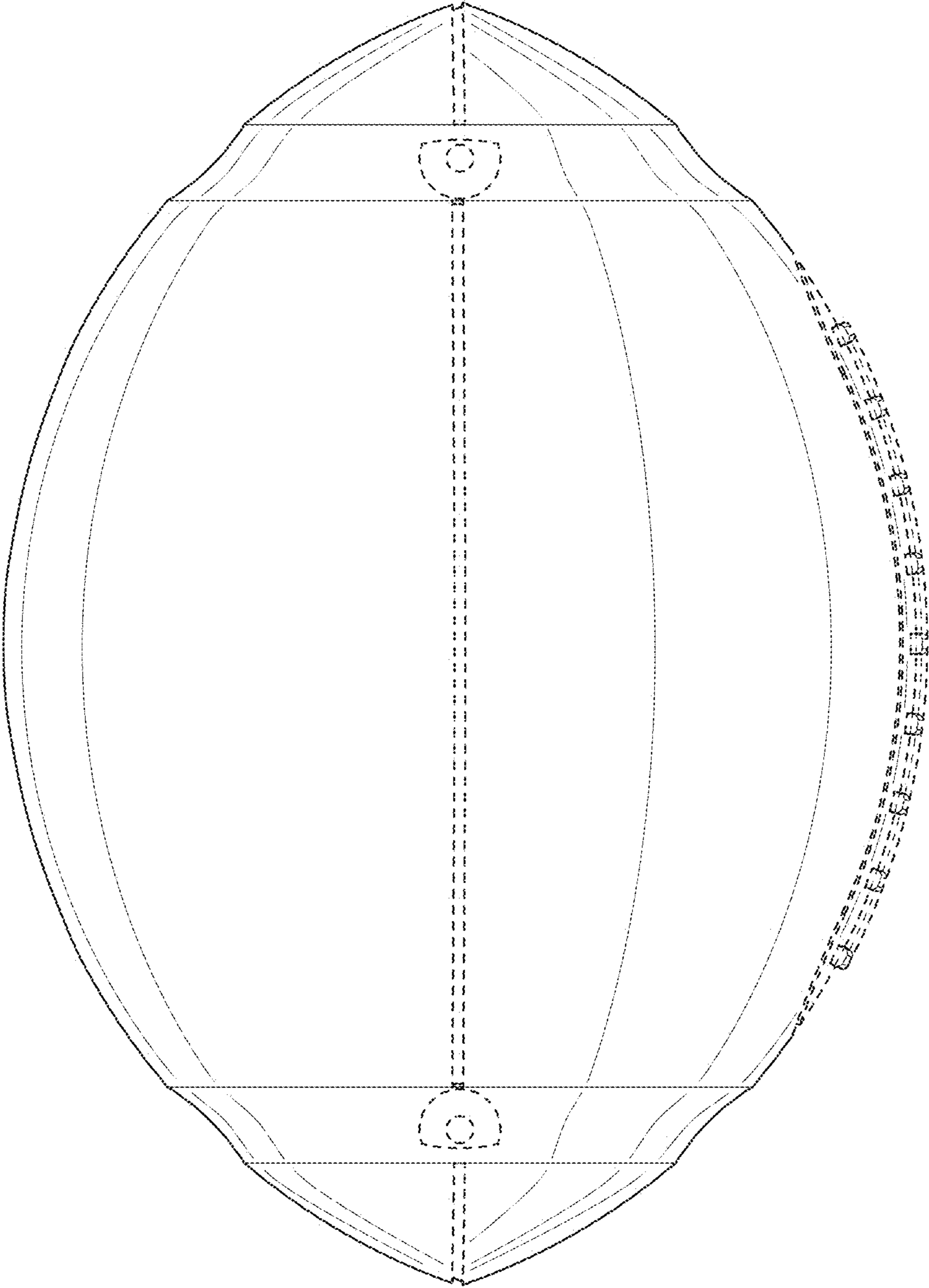


FIG. 7