



US00D921809S

(12) **United States Design Patent** (10) **Patent No.:** **US D921,809 S**  
**Putnam** (45) **Date of Patent:** **\*\* Jun. 8, 2021**

(54) **SOCCER BALL SWING**  
(71) Applicant: **First Season, LLC**, Monroe, CT (US)  
(72) Inventor: **Michael Putnam**, Monroe, CT (US)  
(73) Assignee: **First Season, LLC**, Monroe, CT (US)  
(\*\*) Term: **15 Years**  
(21) Appl. No.: **29/689,347**  
(22) Filed: **Apr. 29, 2019**  
(51) **LOC (13) Cl.** ..... **21-03**  
(52) **U.S. Cl.**  
USPC ..... **D21/825**  
(58) **Field of Classification Search**  
USPC ..... D21/811, 814, 822-825, 780, 781, 788,  
D21/799.1, 708-709, 713; D6/334, 386,  
D6/677, 716  
CPC ..... A63G 9/00-22; A45F 3/26; A47C 3/12;  
A47C 3/0255  
See application file for complete search history.

D539,048 S \* 3/2007 Zimmermann ..... D6/358  
D539,049 S \* 3/2007 Zimmermann ..... D6/358  
D539,050 S \* 3/2007 Zimmermann ..... D6/358  
9,861,181 B2 \* 1/2018 Wehner ..... A47C 3/0252  
D814,813 S \* 4/2018 Hassman ..... D6/345  
D817,013 S \* 5/2018 Hassman ..... D6/345  
D819,348 S \* 6/2018 Hassman ..... D6/345  
D819,989 S \* 6/2018 Hassman ..... D6/345  
D820,605 S \* 6/2018 Hassman ..... D6/345  
D820,606 S \* 6/2018 Hassman ..... D6/345  
D829,454 S \* 10/2018 Wehner ..... D6/345  
D831,988 S \* 10/2018 Passmore ..... D6/334  
D861,365 S \* 10/2019 Figdor ..... D6/364  
D865,383 S \* 11/2019 Wehner ..... D6/347  
(Continued)

*Primary Examiner* — Mitchell I. Siegel  
(74) *Attorney, Agent, or Firm* — Whitmyer IP Group LLC

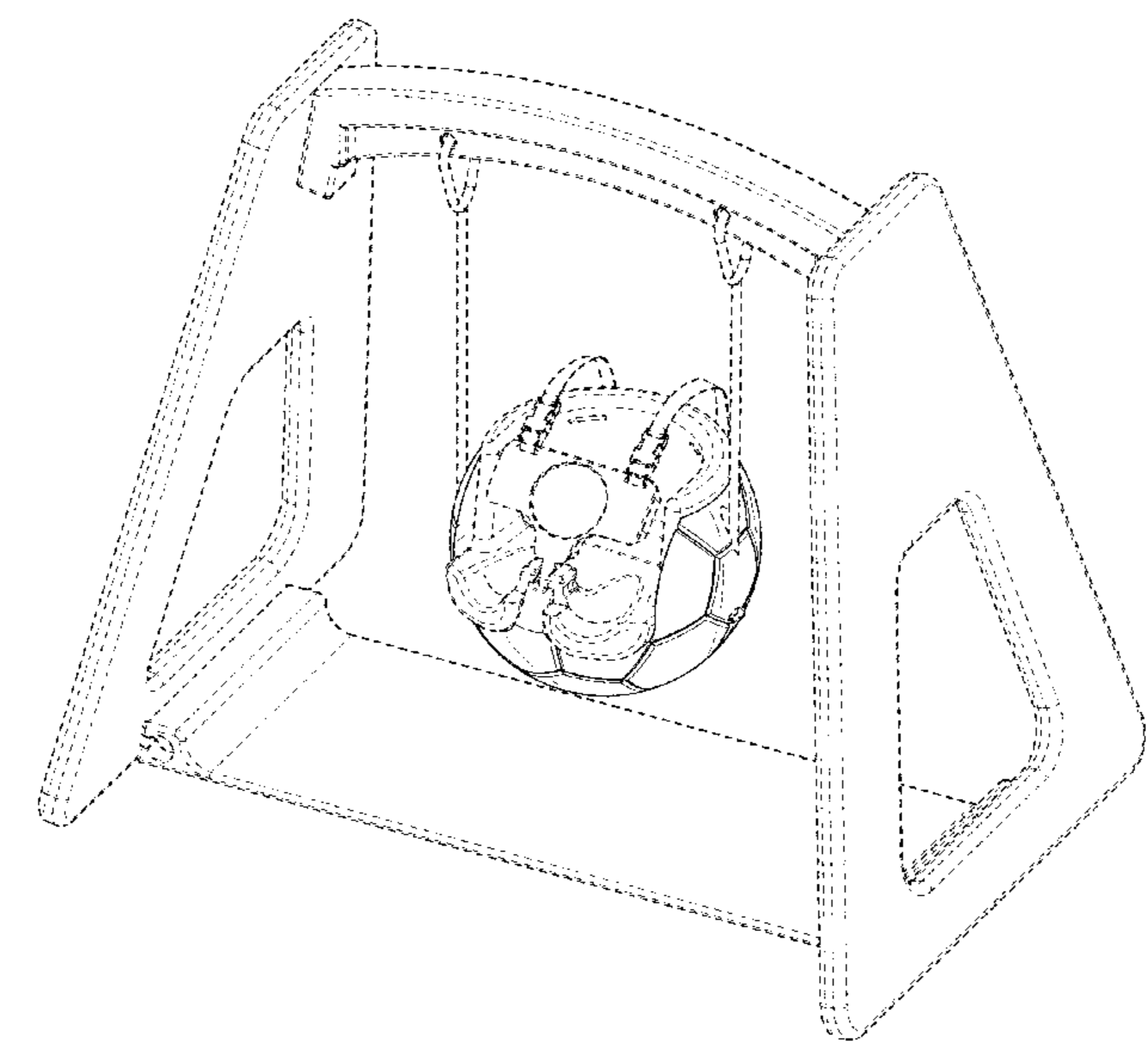
(57) **CLAIM**  
The ornamental design for a soccer ball swing, as shown and described.

**DESCRIPTION**

FIG. 1 is a front isometric view of a soccer ball swing in accordance with the new design;  
FIG. 2 is a front elevational view thereof with a seat insert removed;  
FIG. 3 is a rear elevational view thereof with a seat insert removed;  
FIG. 4 is a right side elevational view thereof with a seat insert removed;  
FIG. 5 is a left side elevational view thereof with a seat insert removed;  
FIG. 6 is a top plan view thereof with a seat insert removed; and,  
FIG. 7 is a bottom plan view thereof.  
The broken lines shown in the drawings illustrate portions of the article that form no part of the claimed design.

**1 Claim, 7 Drawing Sheets**

(56) **References Cited**  
U.S. PATENT DOCUMENTS  
D212,801 S \* 11/1968 Aarnio ..... D6/365  
D223,444 S \* 4/1972 Glaser ..... D6/335  
D227,053 S \* 6/1973 Ris ..... D6/365  
D255,719 S \* 7/1980 Panzini ..... D25/16  
D272,260 S \* 1/1984 Budde ..... D21/825  
D273,967 S \* 5/1984 Budde ..... D21/825  
D274,286 S \* 6/1984 Budde ..... D21/825  
D274,347 S \* 6/1984 Budde ..... D21/825  
D282,970 S \* 3/1986 Parkin ..... D25/16  
D315,644 S \* 3/1991 White ..... D6/344  
D327,376 S \* 6/1992 Piccamiglio ..... D21/709  
D340,105 S \* 10/1993 Houry ..... D21/825  
D346,070 S \* 4/1994 Kither ..... D6/333  
D348,361 S \* 7/1994 Beecher ..... D6/364  
6,116,682 A \* 9/2000 Baur ..... A47C 3/12  
297/118  
D471,843 S \* 3/2003 Hall ..... D12/16



(56)

**References Cited**

U.S. PATENT DOCUMENTS

10,478,736 B1 \* 11/2019 McNeill ..... A47D 15/006  
D871,785 S \* 1/2020 Wehner ..... D6/347  
D885,069 S \* 5/2020 McNeill ..... D6/344  
D885,070 S \* 5/2020 McNeill ..... D6/344  
D889,144 S \* 7/2020 Wehner ..... D6/345  
D898,397 S \* 10/2020 Wehner ..... D6/370  
D899,166 S \* 10/2020 Wehner ..... D6/716  
2003/0024448 A1 \* 2/2003 Lieberman ..... A47B 13/16  
108/161  
2006/0119144 A1 \* 6/2006 Alexakis ..... A47D 13/105  
297/184.1  
2007/0283611 A1 \* 12/2007 Laurent ..... G09F 23/14  
40/700  
2014/0000026 A1 \* 1/2014 Ou ..... A45F 3/22  
5/120

\* cited by examiner

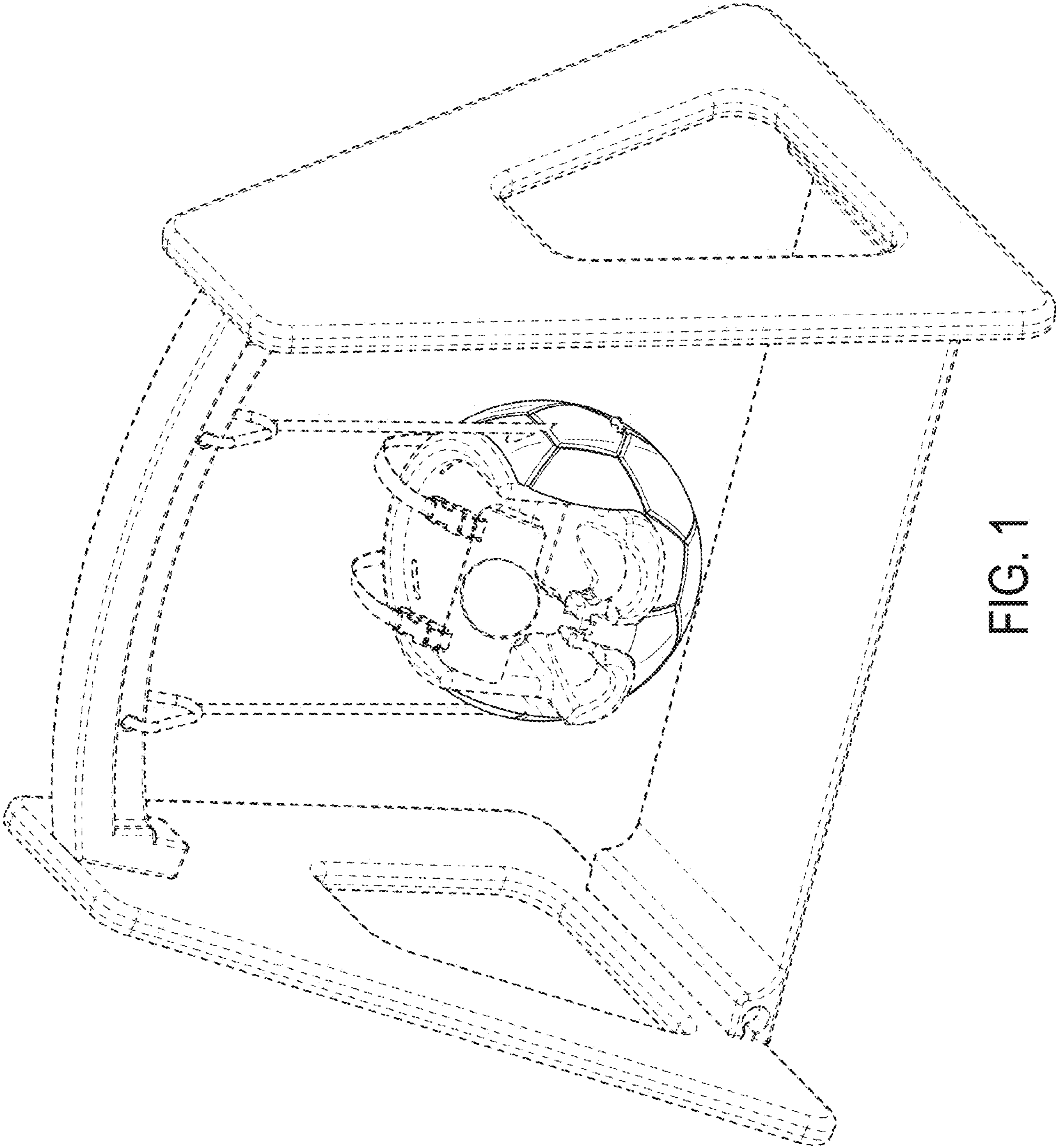


FIG. 1

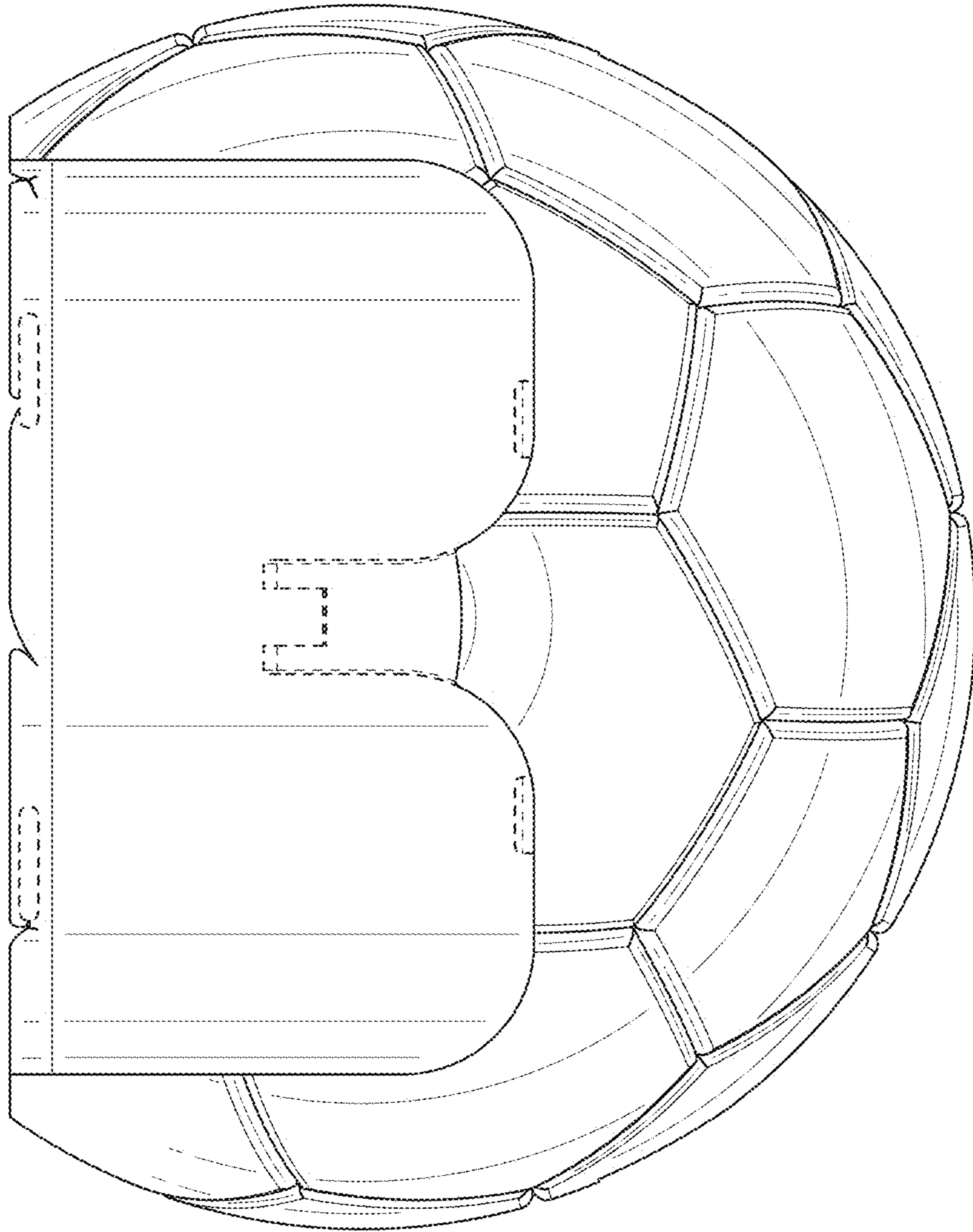


FIG. 2

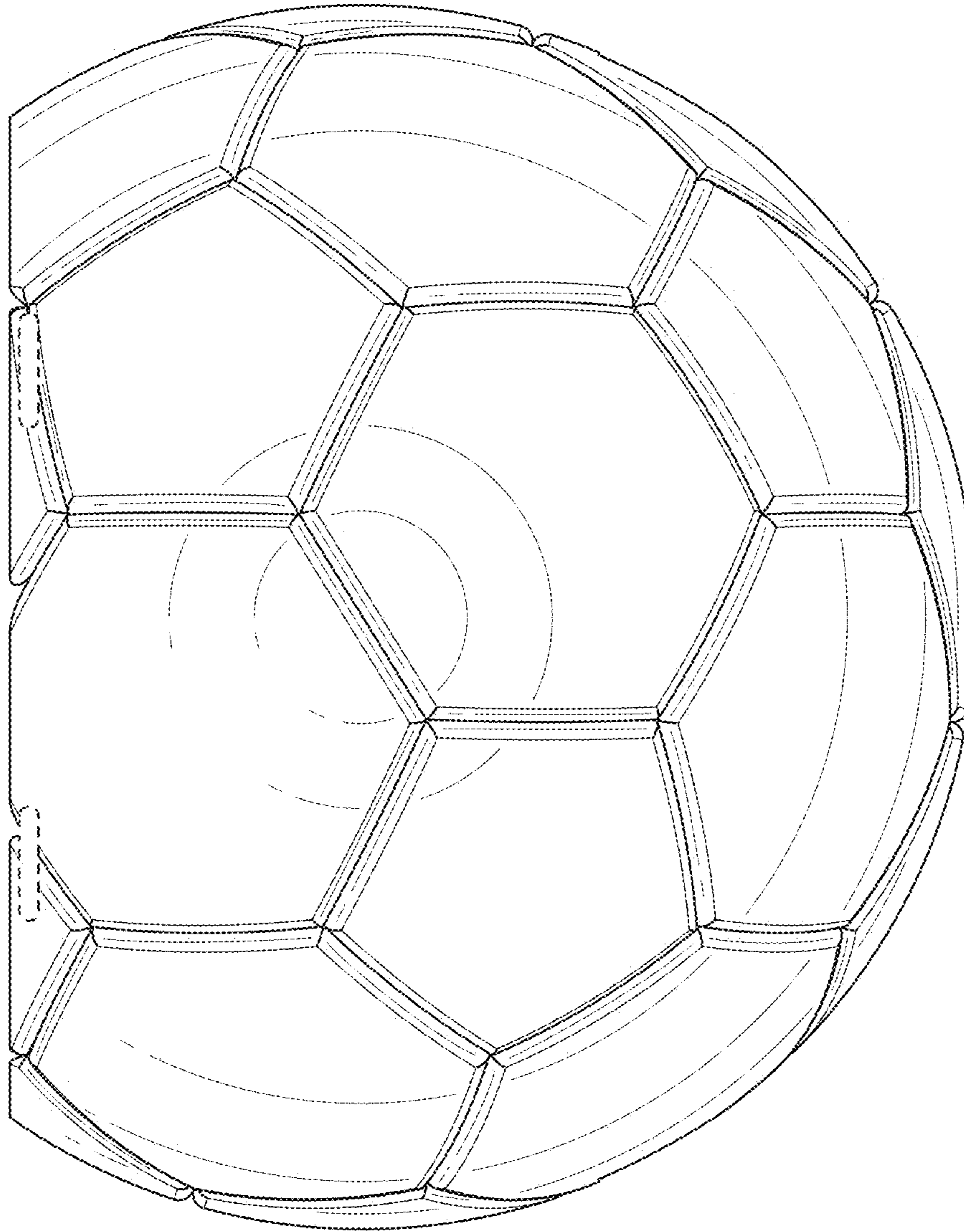


FIG. 3

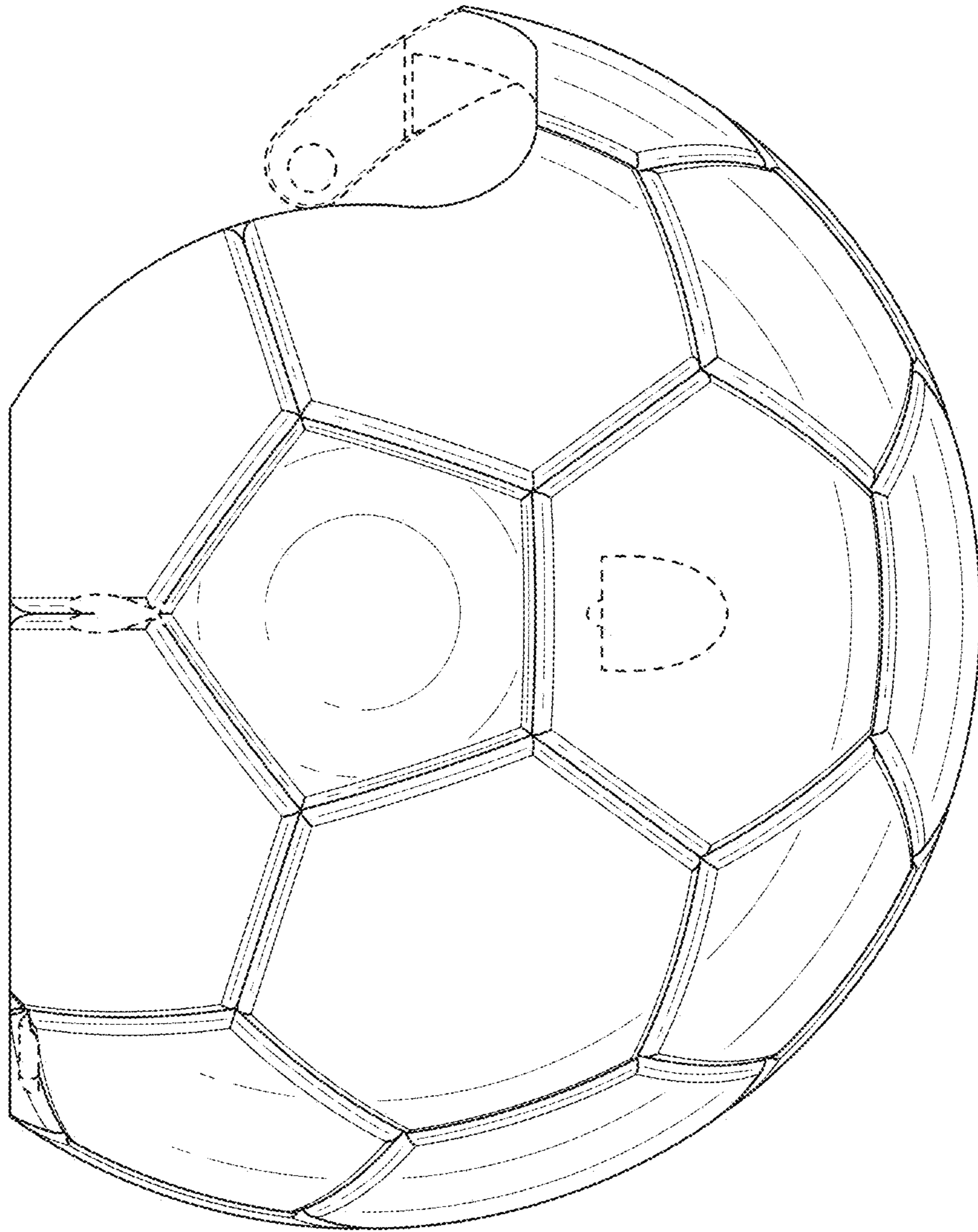


FIG. 4

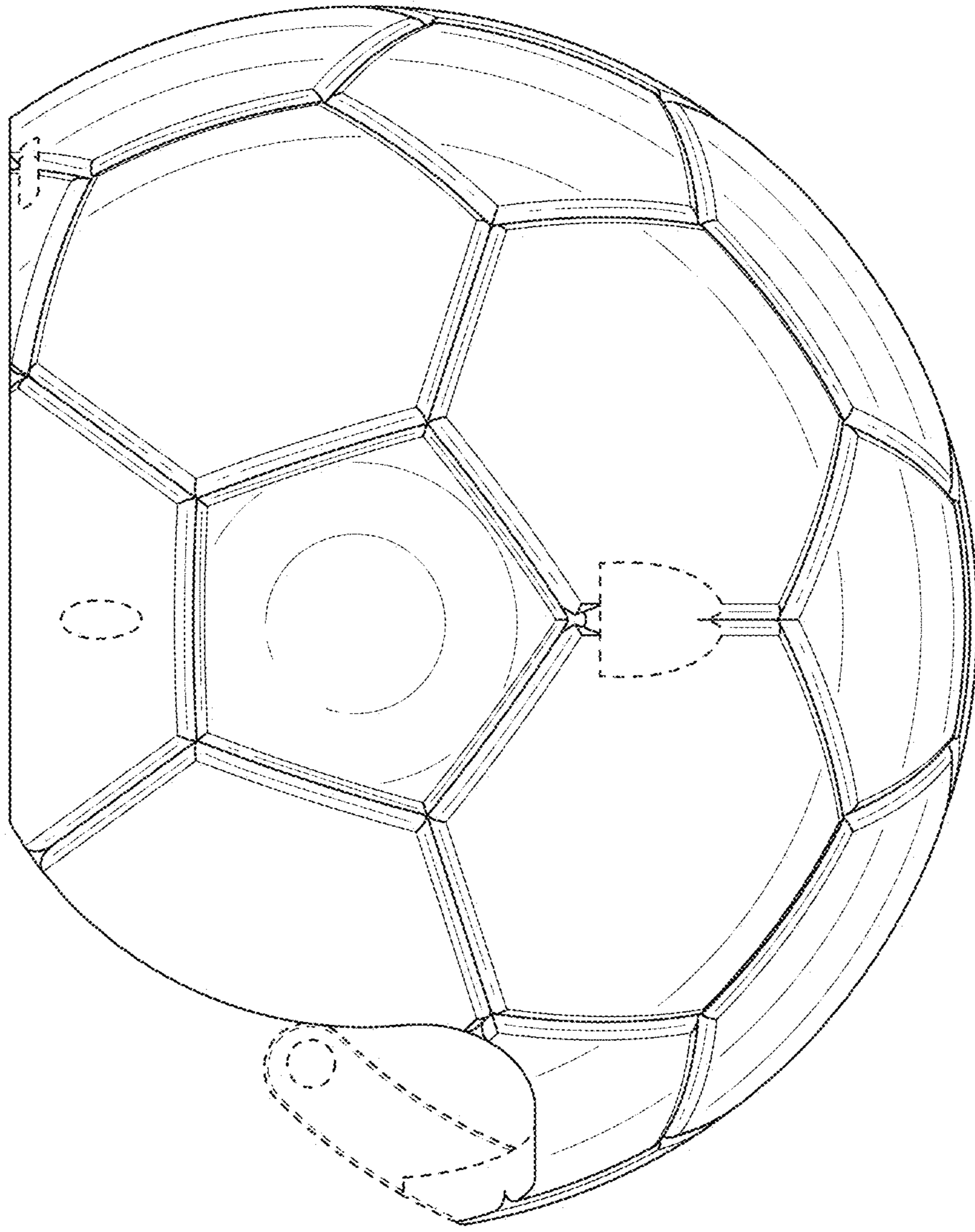


FIG. 5

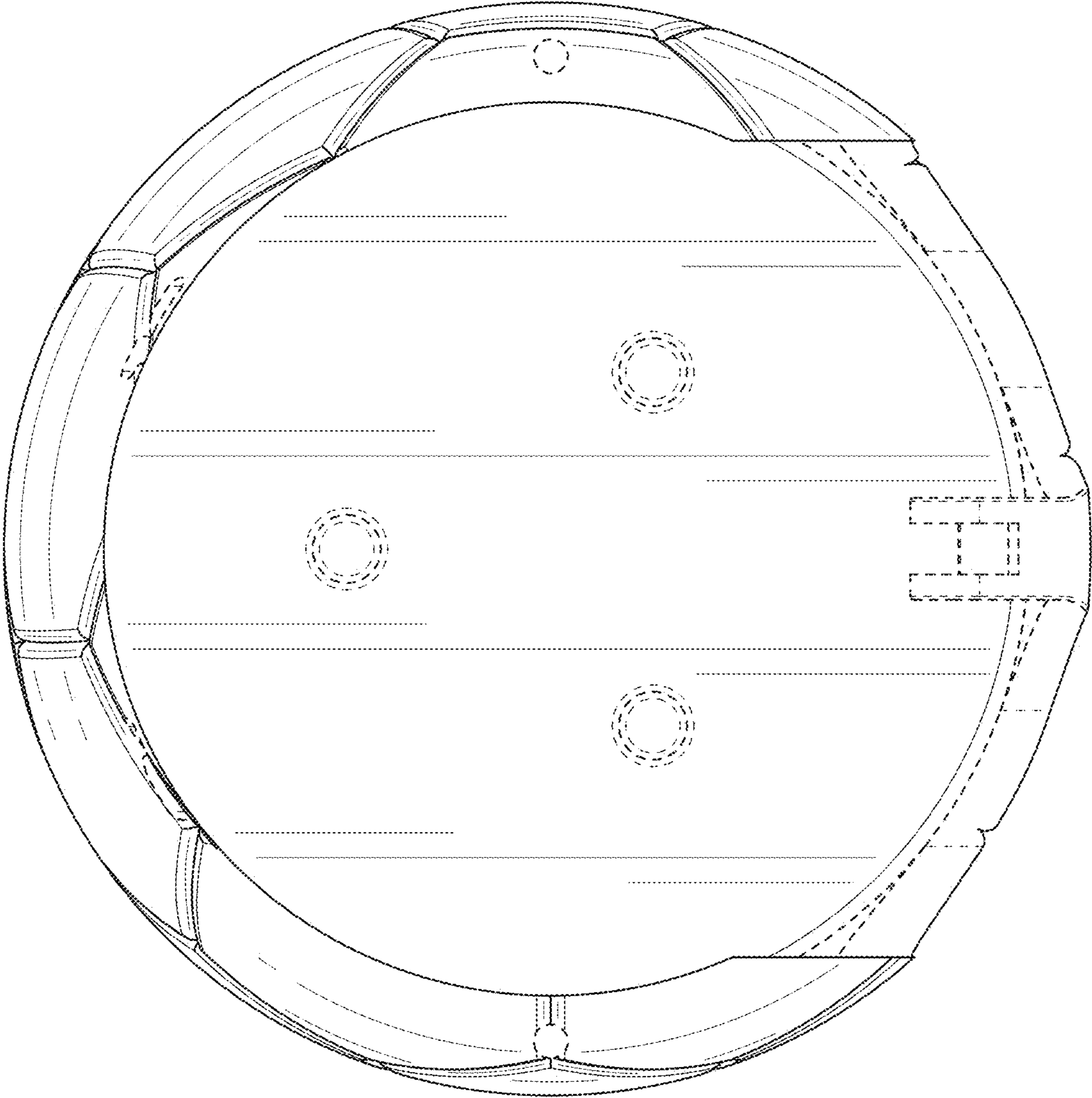


FIG. 6



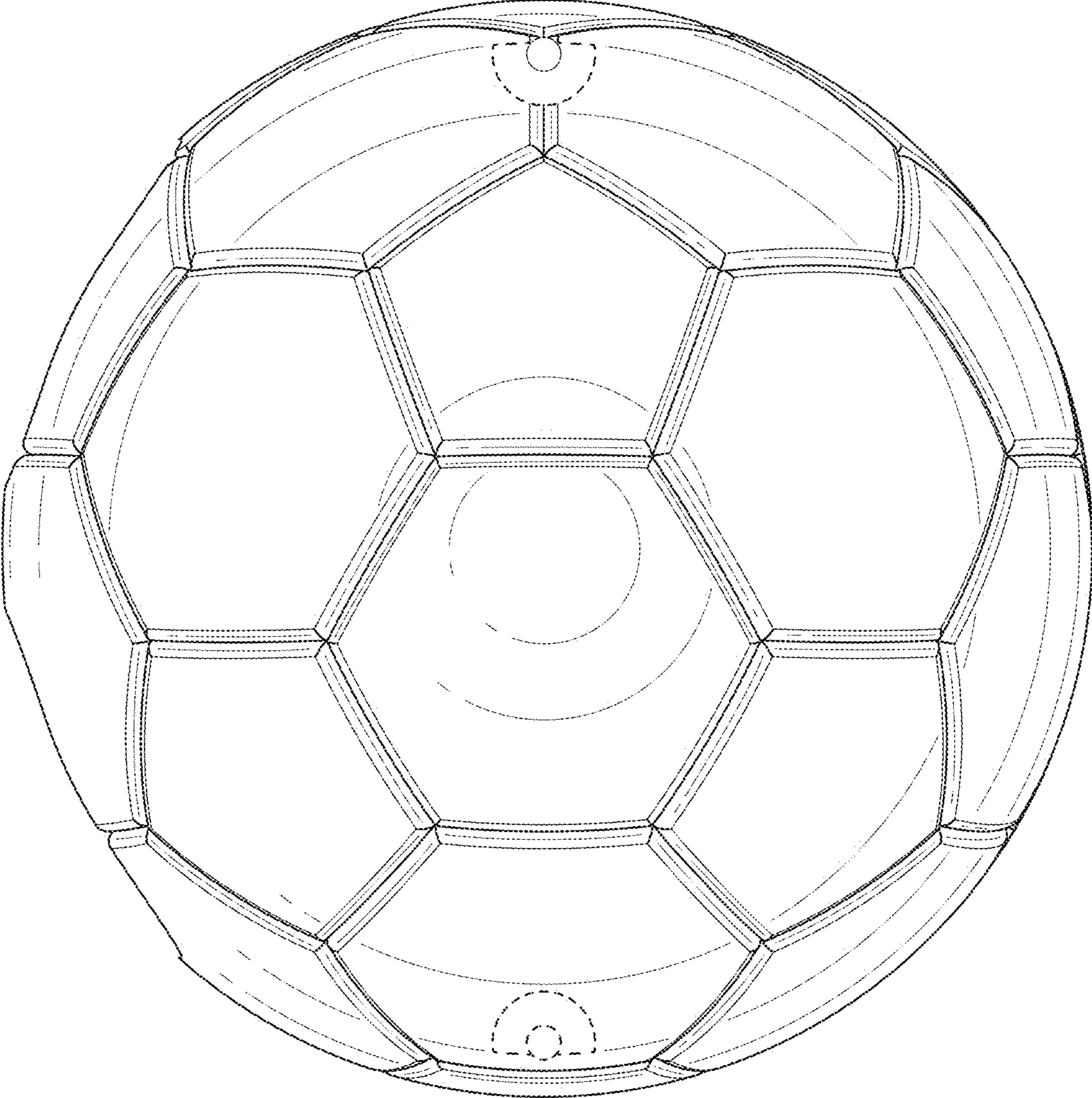


FIG. 7