



US00D921808S

(12) **United States Design Patent** (10) **Patent No.:** **US D921,808 S**
Putnam (45) **Date of Patent:** **** Jun. 8, 2021**

(54) **BASKETBALL SWING**
(71) Applicant: **First Season, LLC**, Monroe, CT (US)
(72) Inventor: **Michael Putnam**, Monroe, CT (US)
(73) Assignee: **First Season, LLC**, Monroe, CT (US)
(**) Term: **15 Years**
(21) Appl. No.: **29/689,344**
(22) Filed: **Apr. 29, 2019**
(51) **LOC (13) Cl.** **21-03**
(52) **U.S. Cl.**
USPC **D21/825**
(58) **Field of Classification Search**
USPC D21/811, 814, 822-825, 780, 781, 788,
D21/799.1, 708-709, 713; D6/334, 386,
D6/677, 716
CPC A63G 9/00-22; A45F 3/26; A47C 3/12;
A47C 3/0255
See application file for complete search history.

D539,048 S * 3/2007 Zimmermann D6/358
D539,049 S * 3/2007 Zimmermann D6/358
D539,050 S * 3/2007 Zimmermann D6/358
9,861,181 B2 * 1/2018 Wehner A47C 3/0252
D814,813 S * 4/2018 Hassman D6/345
D817,013 S * 5/2018 Hassman D6/345
D819,348 S * 6/2018 Hassman D6/345
D819,989 S * 6/2018 Hassman D6/345
D820,605 S * 6/2018 Hassman D6/345
D820,606 S * 6/2018 Hassman D6/345
D829,454 S * 10/2018 Wehner D6/345
D831,988 S * 10/2018 Passmore D6/334
D861,365 S * 10/2019 Figdor D6/364
D865,383 S * 11/2019 Wehner D6/347

(Continued)

Primary Examiner — Mitchell I. Siegel
(74) *Attorney, Agent, or Firm* — Whitmyer IP Group LLC

(57) **CLAIM**

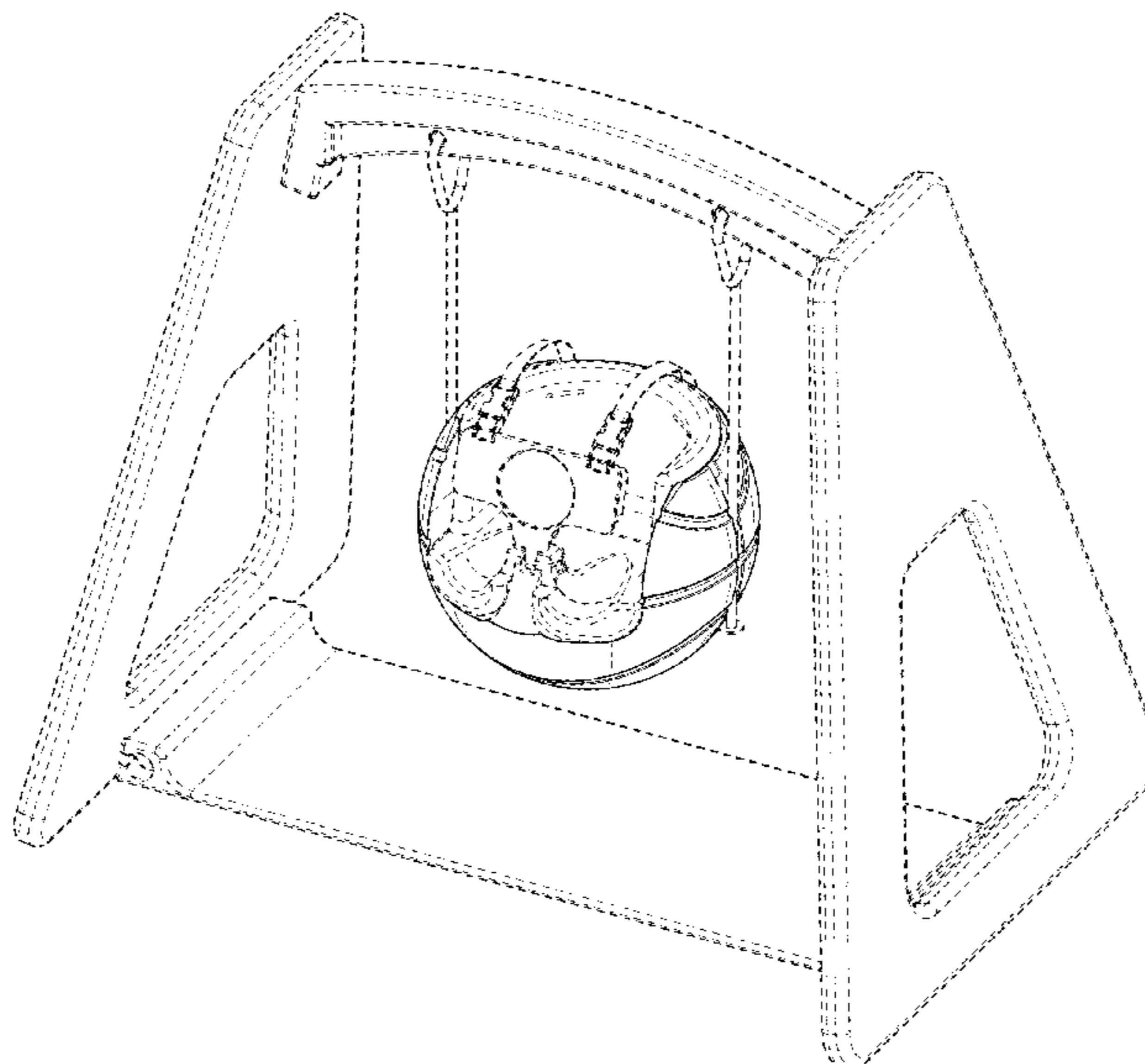
The ornamental design for a basketball swing, as shown and described.

DESCRIPTION

FIG. 1 is a front isometric view of a basketball swing in accordance with the new design;
FIG. 2 is a front elevational view thereof with a seat insert removed;
FIG. 3 is a rear elevational view thereof with a seat insert removed;
FIG. 4 is a right side elevational view thereof with a seat insert removed;
FIG. 5 is a left side elevational view thereof with a seat insert removed;
FIG. 6 is a top plan view thereof with a seat insert removed; and,
FIG. 7 is a bottom plan view thereof.
The broken lines shown in the drawings illustrate portions of the article that form no part of the claimed design.

1 Claim, 7 Drawing Sheets

(56) **References Cited**
U.S. PATENT DOCUMENTS
D212,801 S * 11/1968 Aarnio D6/365
D223,444 S * 4/1972 Glaser D6/335
D227,053 S * 6/1973 Ris D6/365
D255,719 S * 7/1980 Panzini D25/16
D272,260 S * 1/1984 Budde D21/825
D273,967 S * 5/1984 Budde D21/825
D274,286 S * 6/1984 Budde D21/825
D274,347 S * 6/1984 Budde D21/825
D282,970 S * 3/1986 Parkin D25/16
D315,644 S * 3/1991 White D6/344
D327,376 S * 6/1992 Piccamiglio D21/709
D340,105 S * 10/1993 Houry D21/825
D346,070 S * 4/1994 Kither D6/333
D348,361 S * 7/1994 Beecher D6/364
6,116,682 A * 9/2000 Baur A47C 3/12
297/118
D471,843 S * 3/2003 Hall D12/16



(56)

References Cited

U.S. PATENT DOCUMENTS

10,478,736 B1 * 11/2019 McNeill A47D 15/006
D871,785 S * 1/2020 Wehner D6/347
D885,069 S * 5/2020 McNeill D6/344
D885,070 S * 5/2020 McNeill D6/344
D889,144 S * 7/2020 Wehner D6/345
D898,397 S * 10/2020 Wehner D6/370
D899,166 S * 10/2020 Wehner D6/716
2003/0024448 A1 * 2/2003 Lieberman A47B 13/16
108/161
2006/0119144 A1 * 6/2006 Alexakis A47D 13/105
297/184.1
2007/0283611 A1 * 12/2007 Laurent G09F 23/14
40/700
2014/0000026 A1 * 1/2014 Ou A45F 3/22
5/120

* cited by examiner

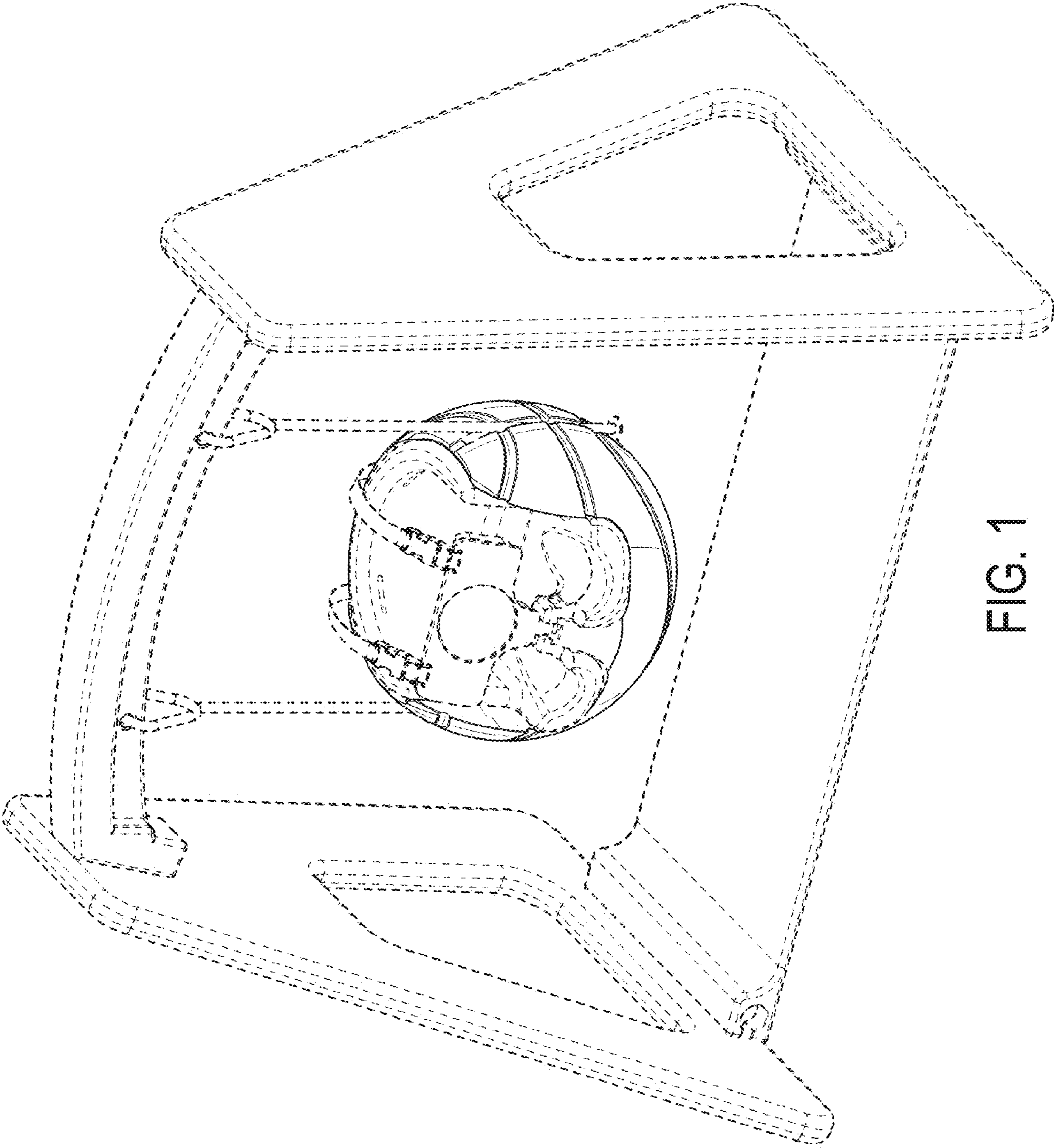


FIG. 1

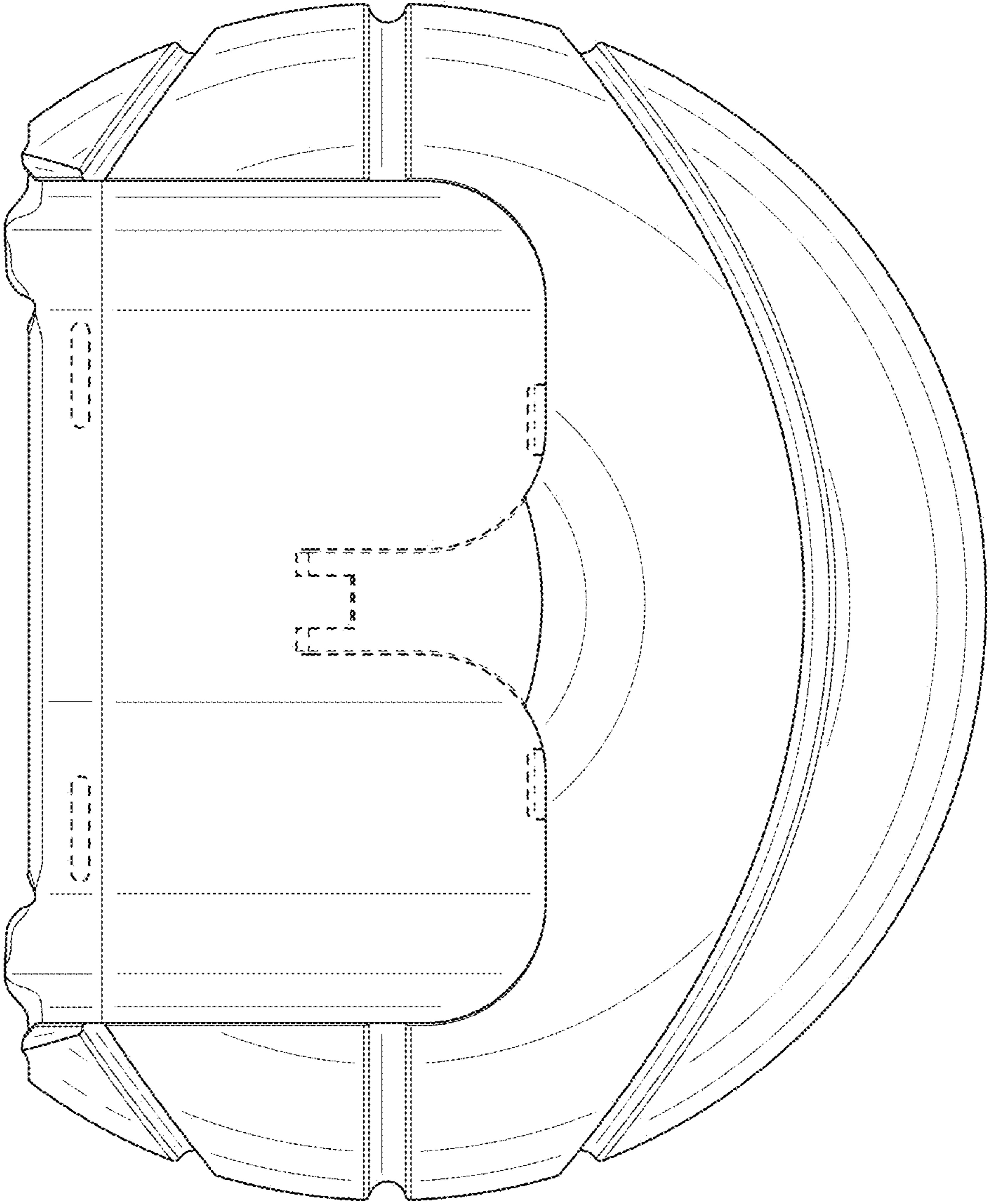


FIG. 2

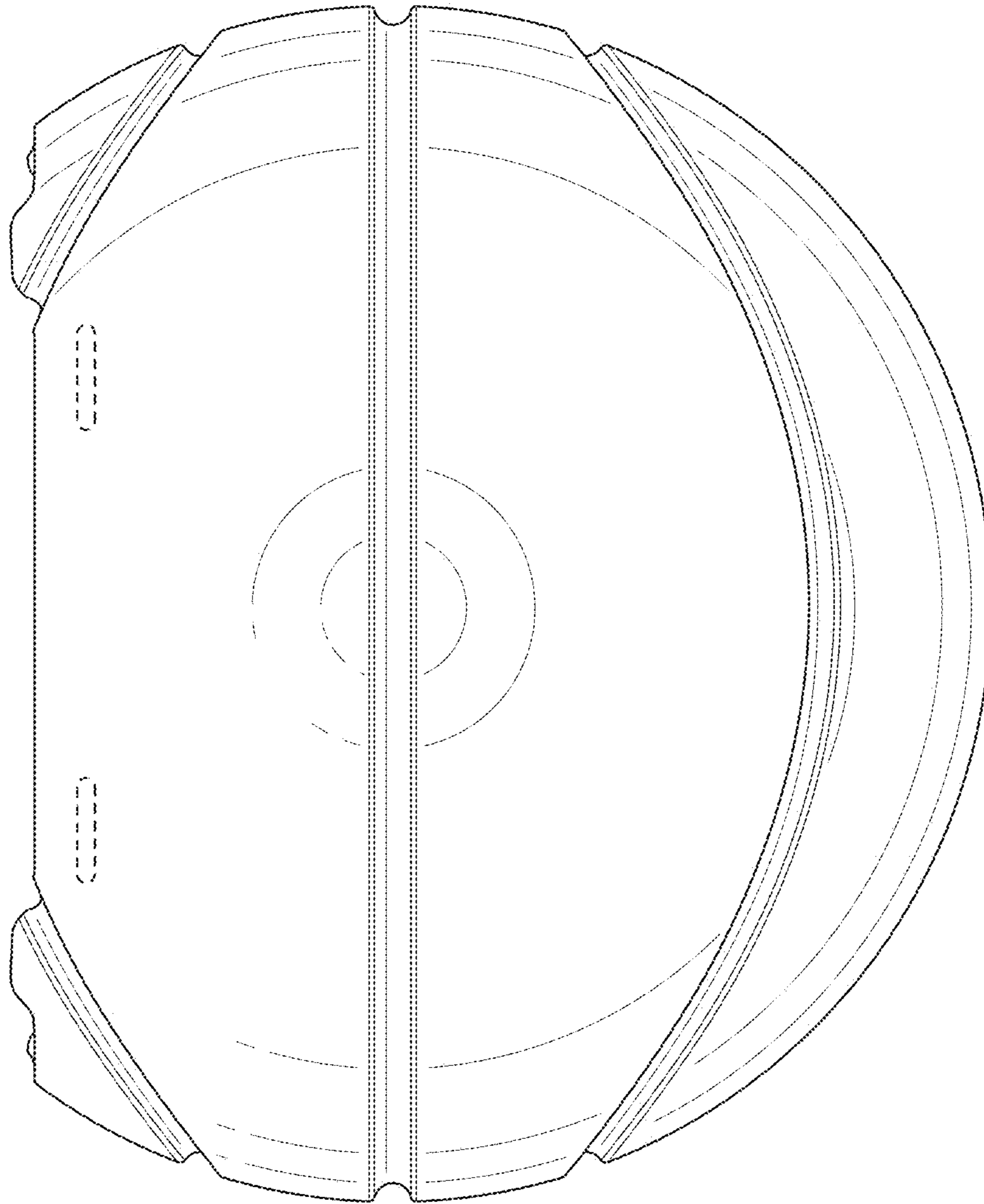


FIG. 3

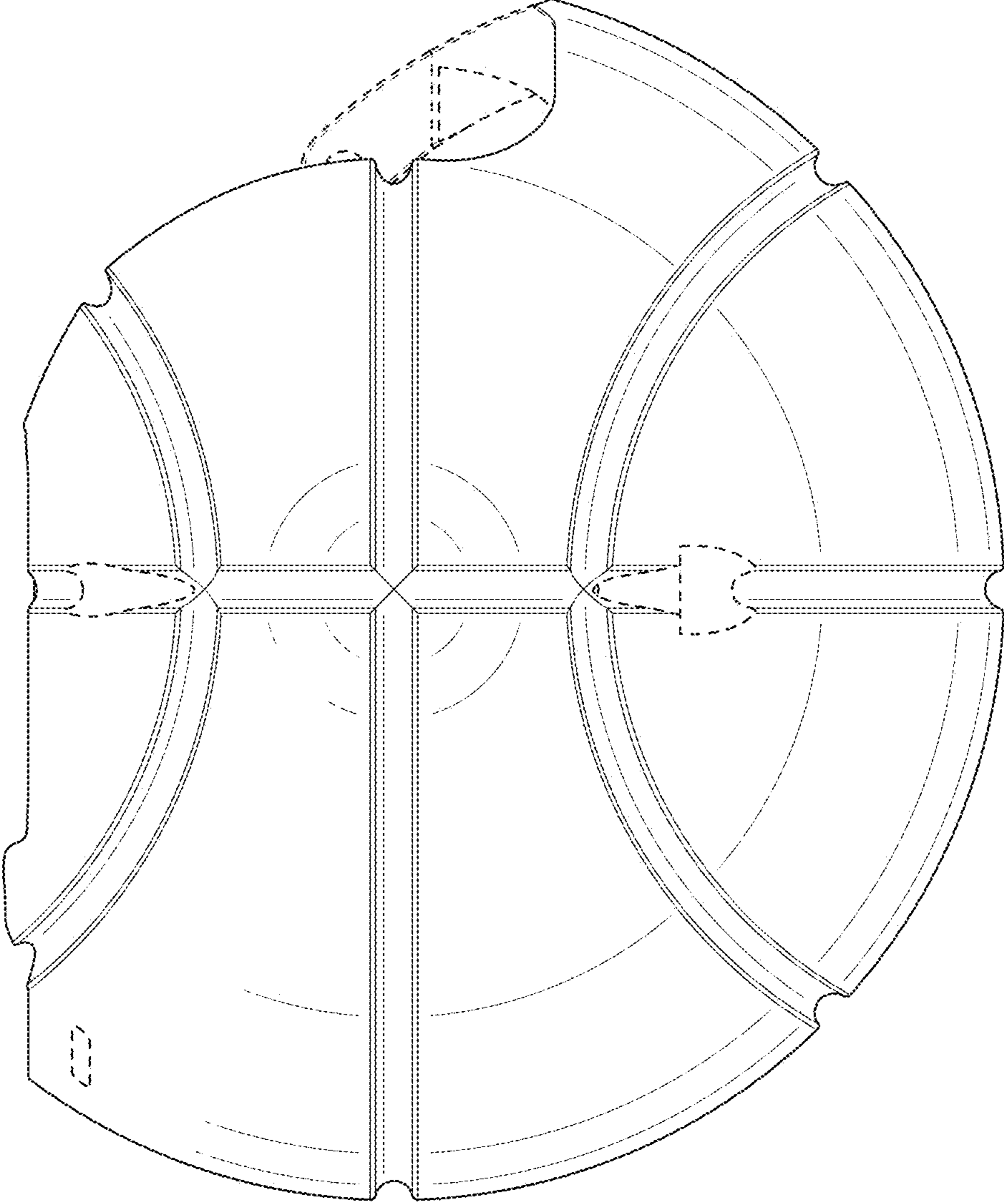


FIG. 4

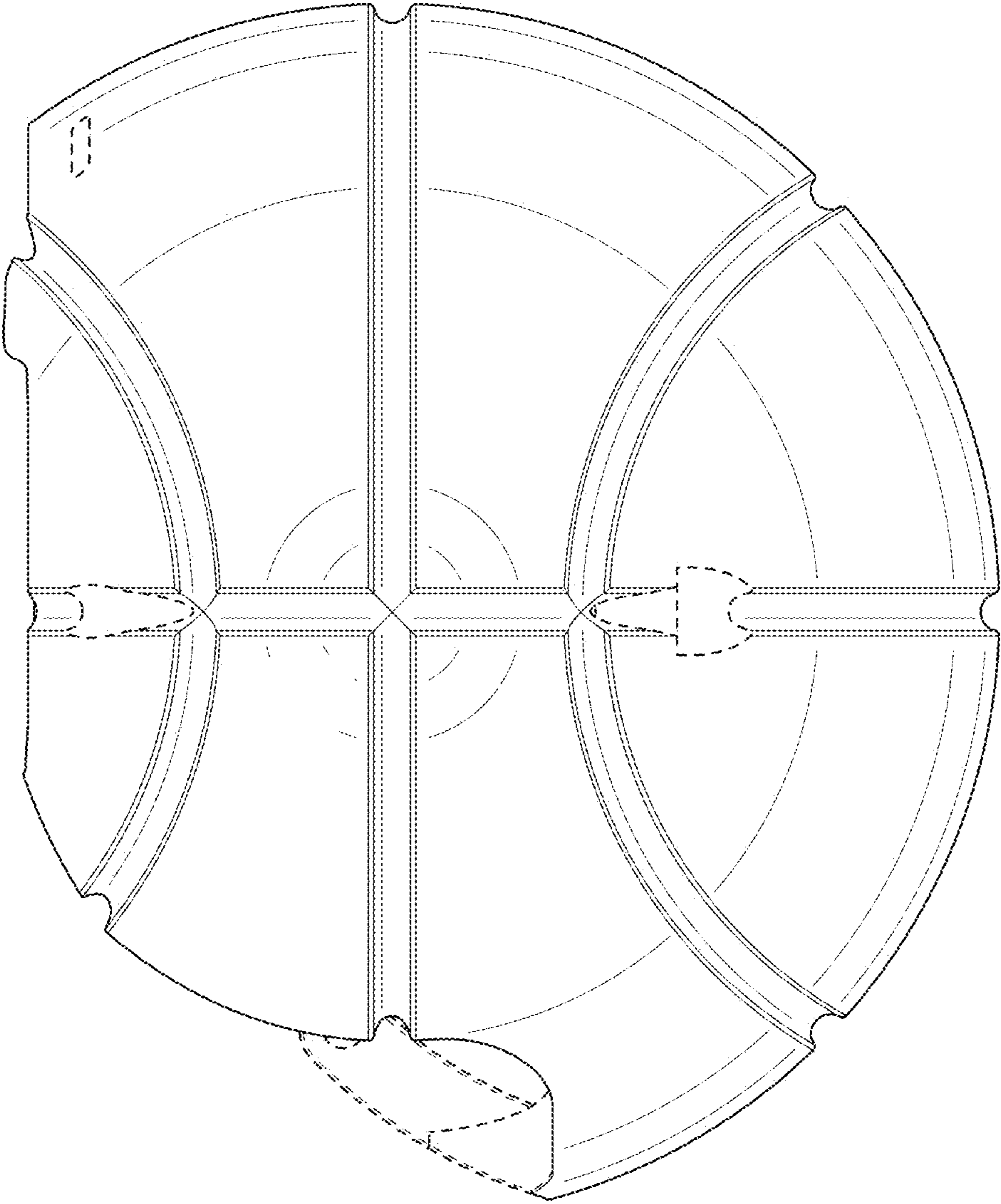


FIG. 5

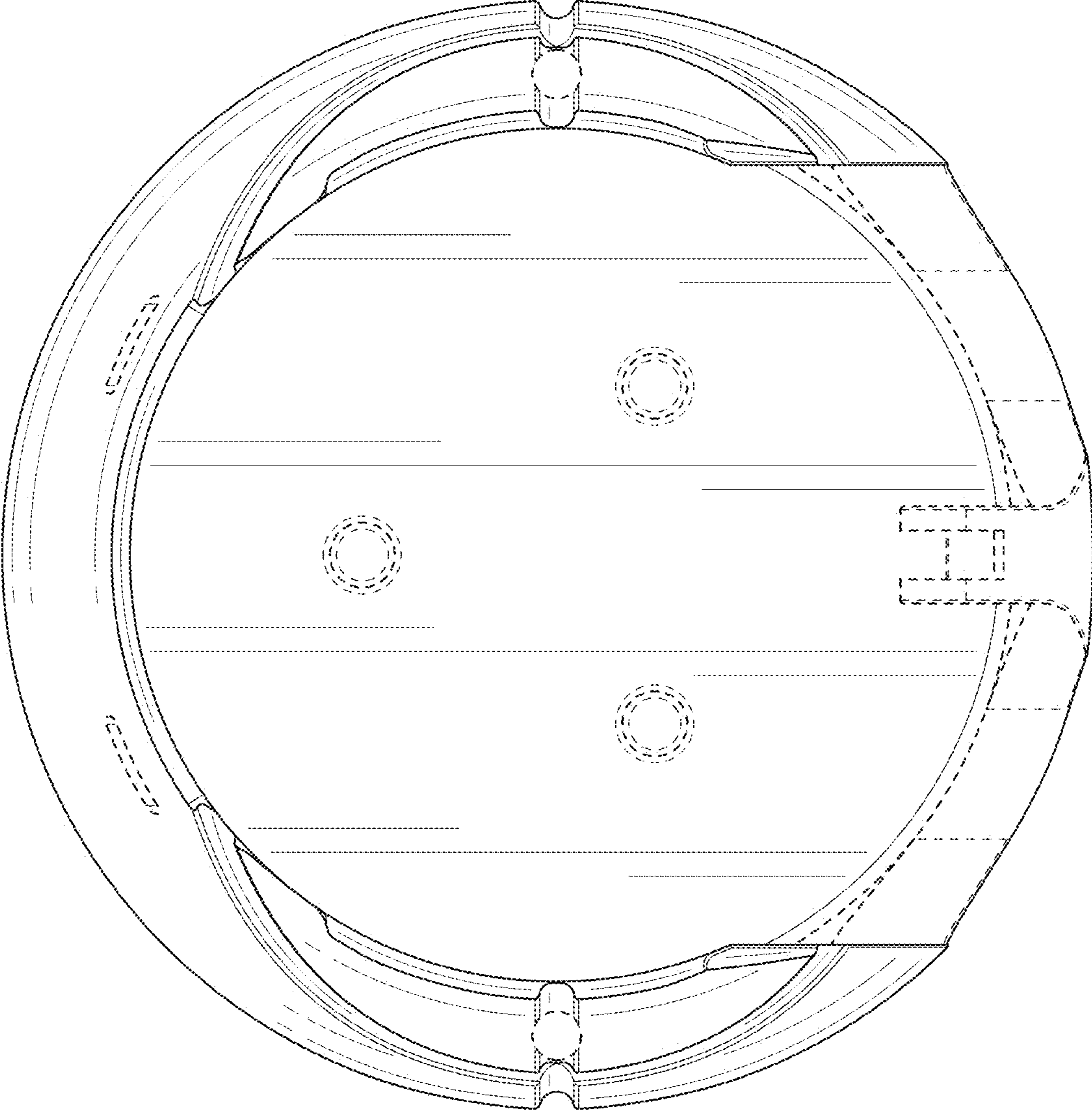


FIG. 6

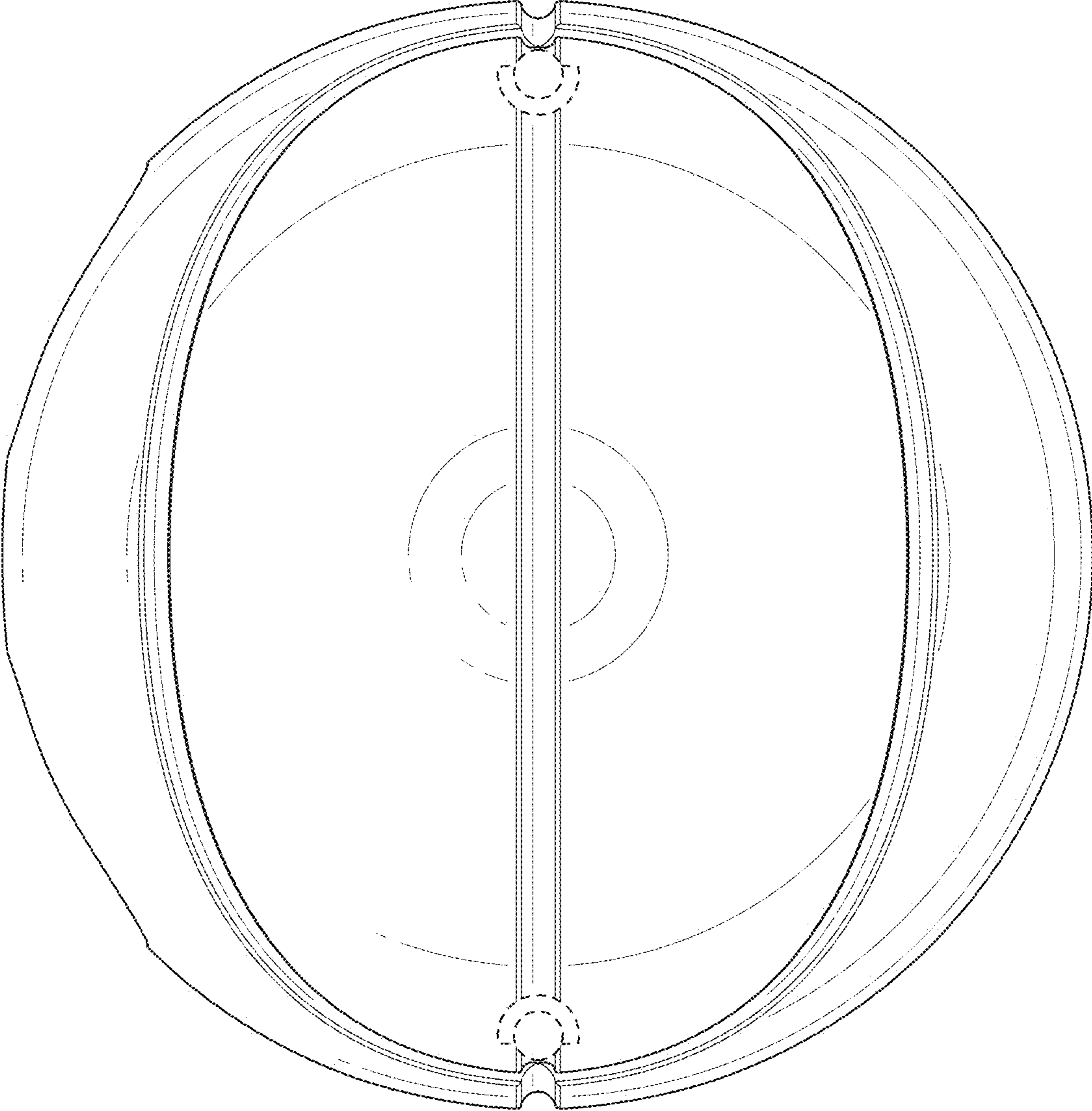


FIG. 7