



US00D921797S

(12) **United States Design Patent**
Shen

(10) **Patent No.:** **US D921,797 S**

(45) **Date of Patent:** **** Jun. 8, 2021**

(54) **HOVERBOARD**

(71) Applicant: **Shenzhen RideTech Electronics Co., Ltd., Shenzhen (CN)**

(72) Inventor: **Ao Shen, Shenzhen (CN)**

(**) Term: **15 Years**

(21) Appl. No.: **29/751,458**

(22) Filed: **Sep. 22, 2020**

(51) **LOC (13) Cl.** **21-02**

(52) **U.S. Cl.**
USPC **D21/763**

(58) **Field of Classification Search**
USPC D21/419, 421, 423, 426, 760, 765, 766,
D21/769, 771, 776, 803; D12/1
CPC A63C 17/01; A63C 17/12; A63C 2203/00;
A63C 2203/011; A63C 2203/012; A63C
2203/013; A63C 2203/40; A63C 2203/52;
B62K 2202/00; B62K 2207/00; B62K
2207/02; B62K 2207/04; B62K 11/00;
B62K 11/007
See application file for complete search history.

(56) **References Cited**

U.S. PATENT DOCUMENTS

D805,429 S	*	12/2017	Cao	D21/763
D807,457 S	*	1/2018	Desberg	D21/763
D810,618 S	*	2/2018	Li	D21/763
D817,811 S	*	5/2018	Wang	D21/760
D840,872 S	*	2/2019	Desberg	B62K 11/007 D21/763
D853,494 S		7/2019	Li		
10,421,006 B1	*	9/2019	Li	A63C 17/0093
D886,670 S		6/2020	Cao		

D891,297 S	*	7/2020	Zhou	D21/763
10,800,477 B2	*	10/2020	Shang	A63C 17/014
D902,077 S	*	11/2020	Wang	D21/760
D904,225 S	*	12/2020	Wang	D21/760
D905,595 S	*	12/2020	Wang	D12/1
2017/0217529 A1	*	8/2017	Chen	B62K 11/007
2018/0037293 A1	*	2/2018	Chen	B62K 3/002
2018/0127048 A1	*	5/2018	Li	B62K 11/14
2019/0031269 A1	*	1/2019	Shang	B62J 6/015
2019/0077479 A1	*	3/2019	Chen	B62K 11/007
2019/0193803 A1	*	6/2019	Desberg	B62K 11/007
2019/0382065 A1	*	12/2019	Shang	B62J 6/00
2020/0346099 A1	*	11/2020	Li	A63C 17/0093

* cited by examiner

Primary Examiner — Cynthia M. Chin

(74) *Attorney, Agent, or Firm* — W&K IP

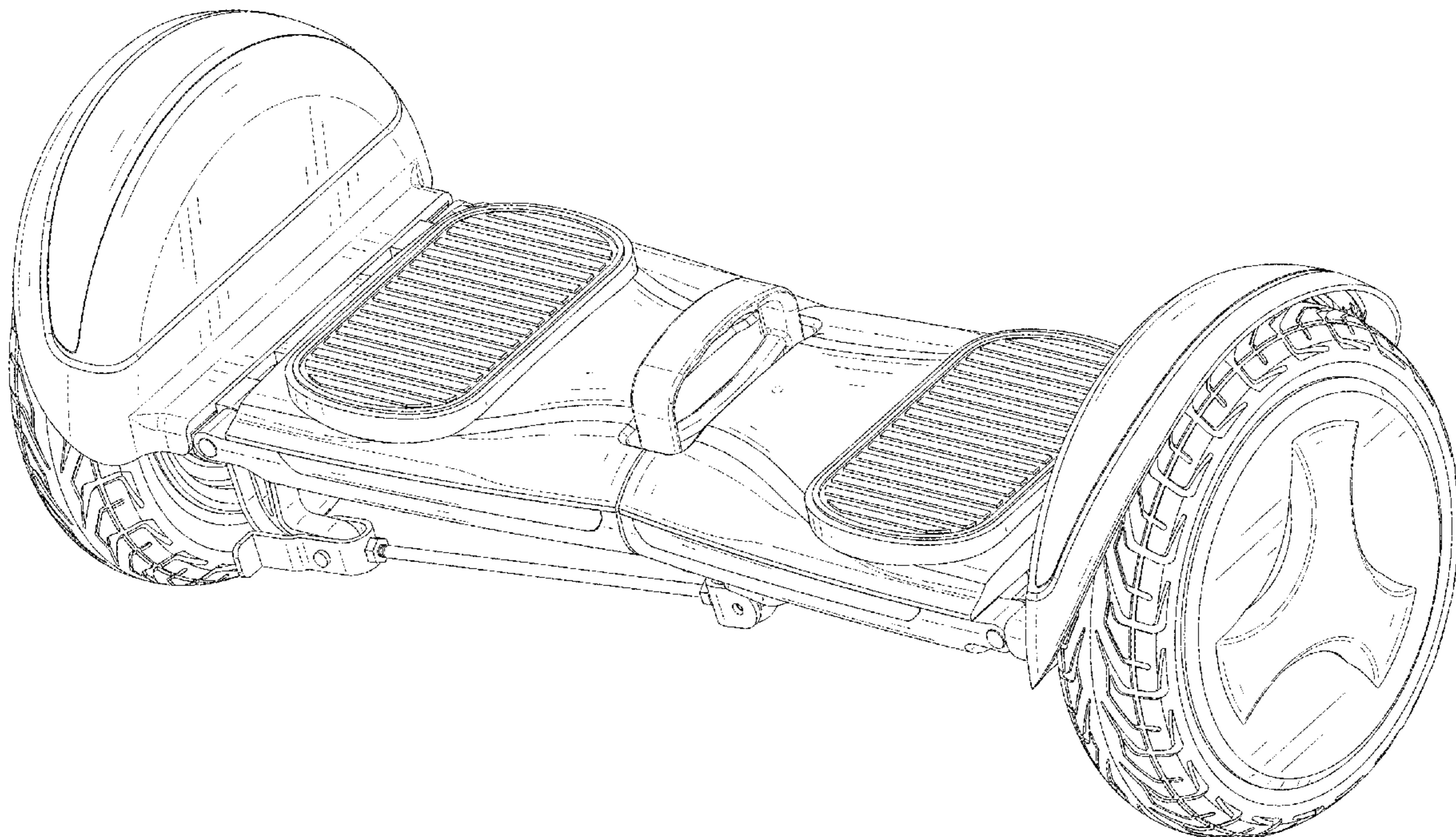
(57) **CLAIM**

The ornamental design for a hoverboard, as shown and described.

DESCRIPTION

FIG. 1 is a perspective view of a hoverboard showing my new design;
 FIG. 2 is another perspective view thereof;
 FIG. 3 is a front elevational view thereof;
 FIG. 4 is a rear elevational view thereof;
 FIG. 5 is a left side elevational view thereof;
 FIG. 6 is a right side elevational view thereof;
 FIG. 7 is a top plan view thereof; and,
 FIG. 8 is a bottom plan view thereof.
 The broken lines in the drawings are for the purpose of illustrating portions of the hoverboard that form no part of the claimed design.

1 Claim, 8 Drawing Sheets



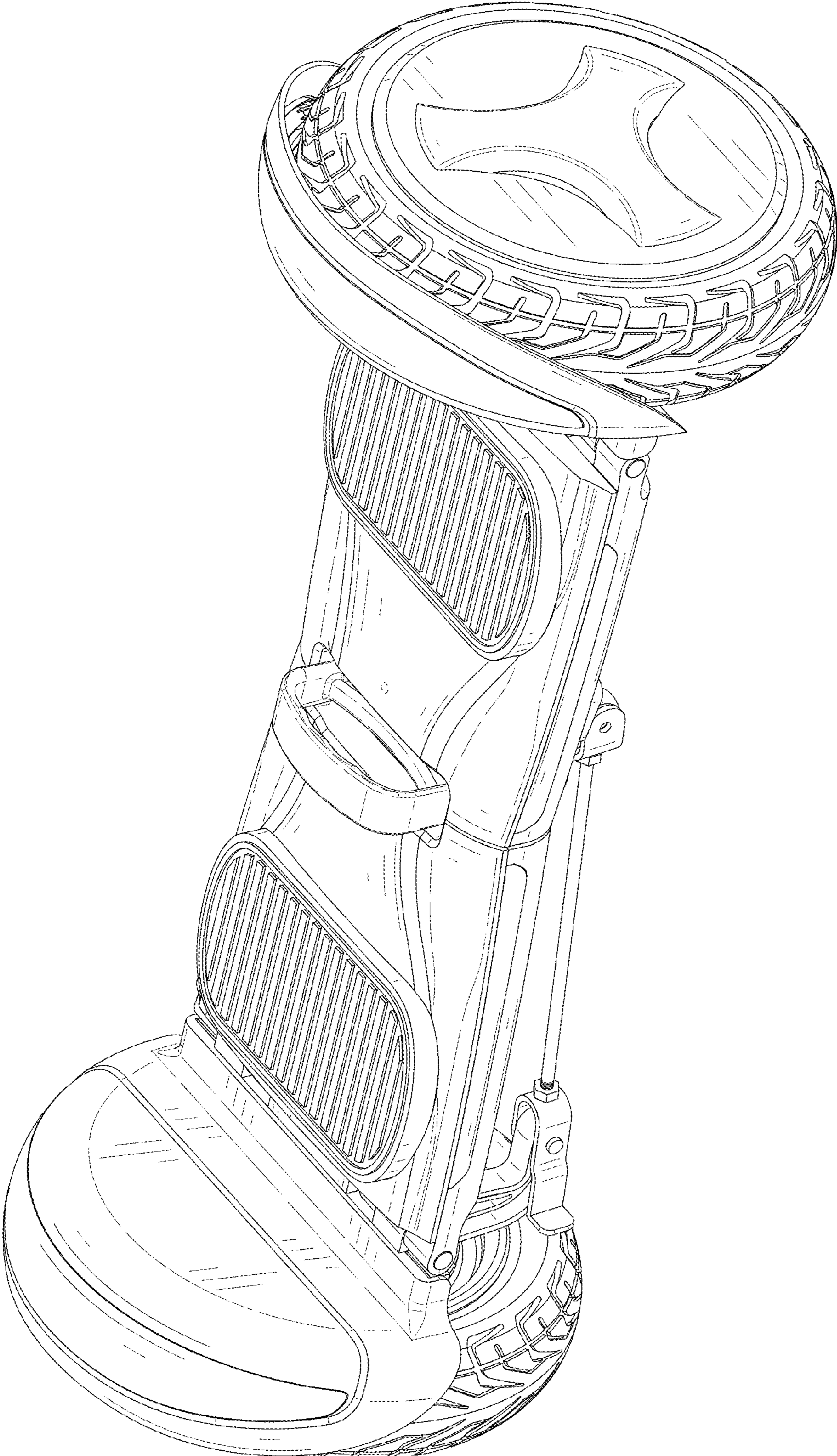


FIG. 1

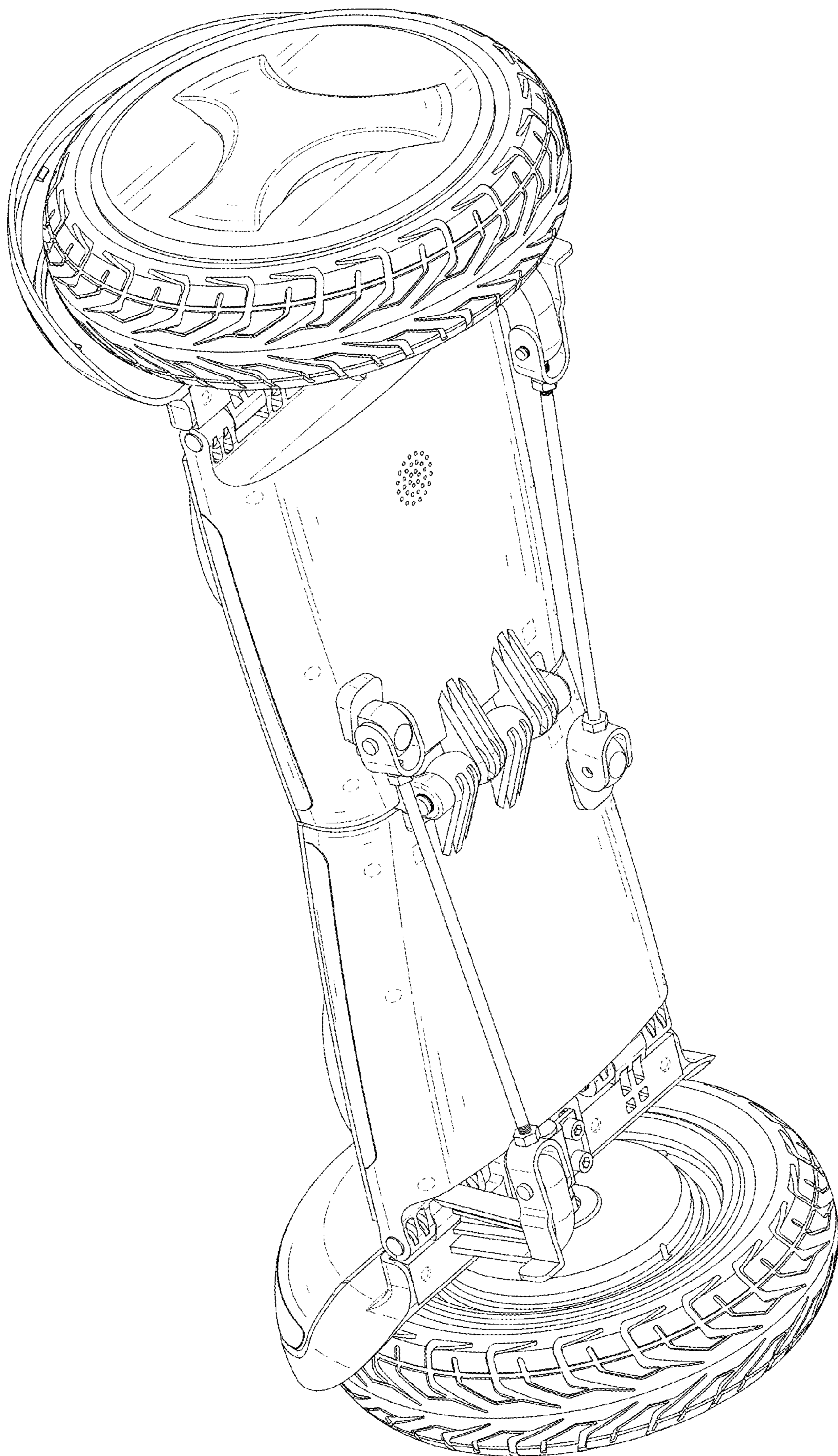


FIG. 2

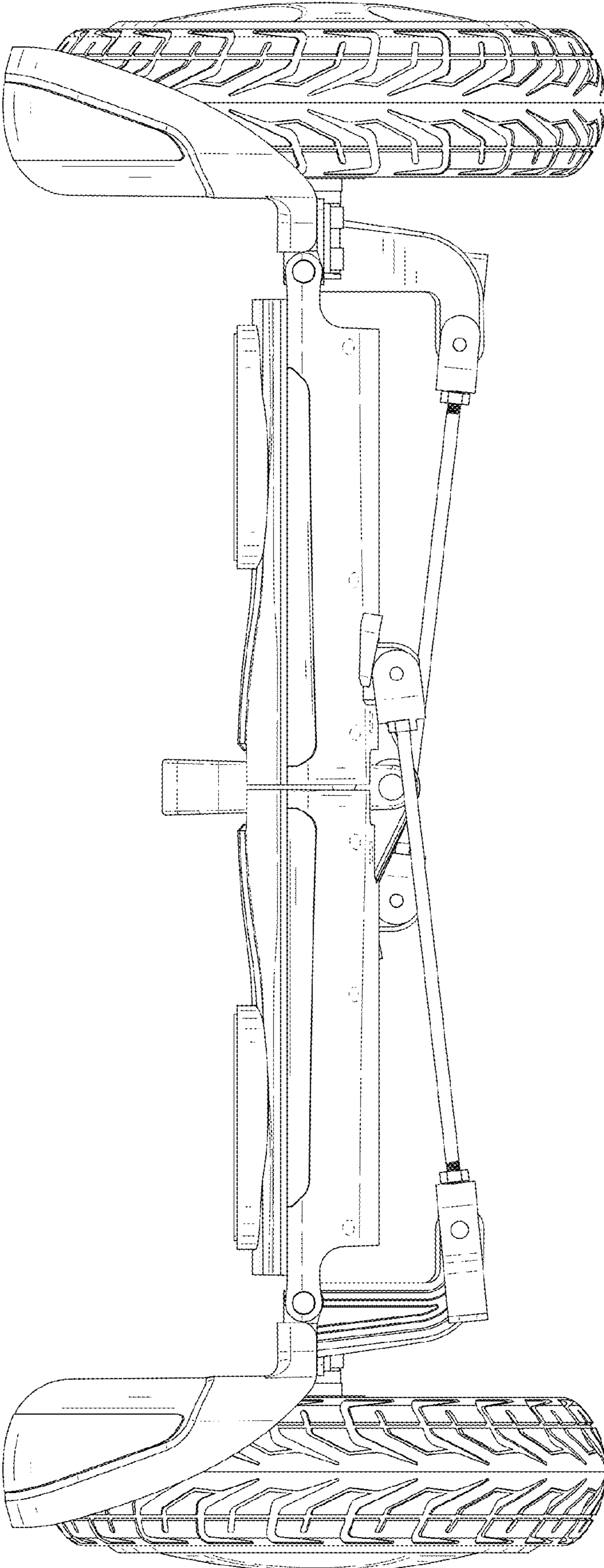


FIG. 3

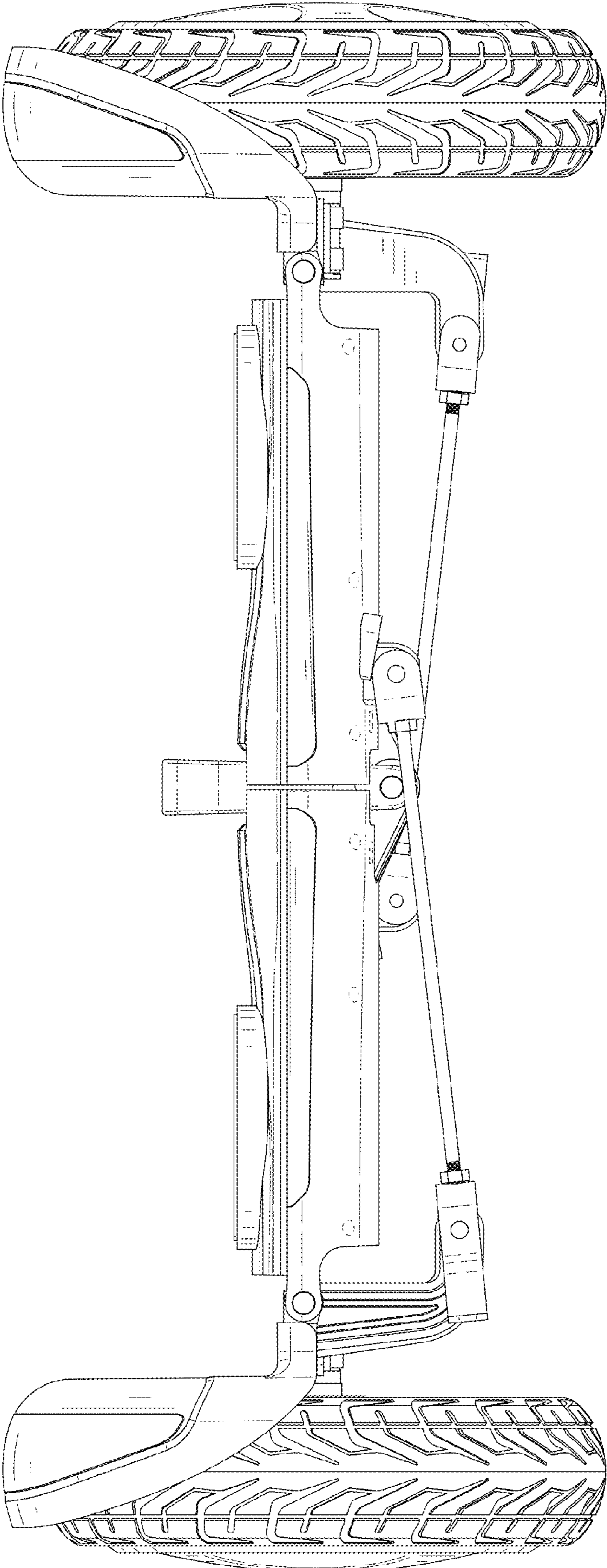


FIG. 4



FIG. 5



FIG. 6

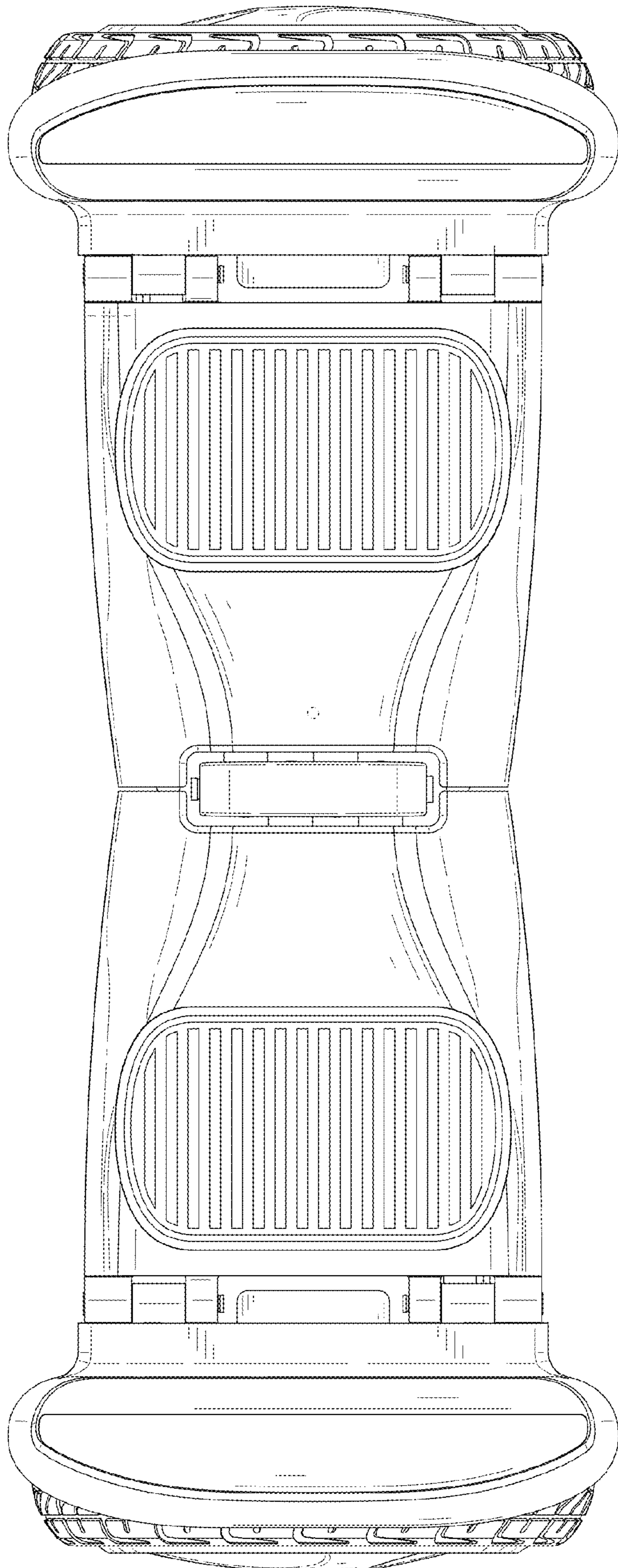


FIG. 7

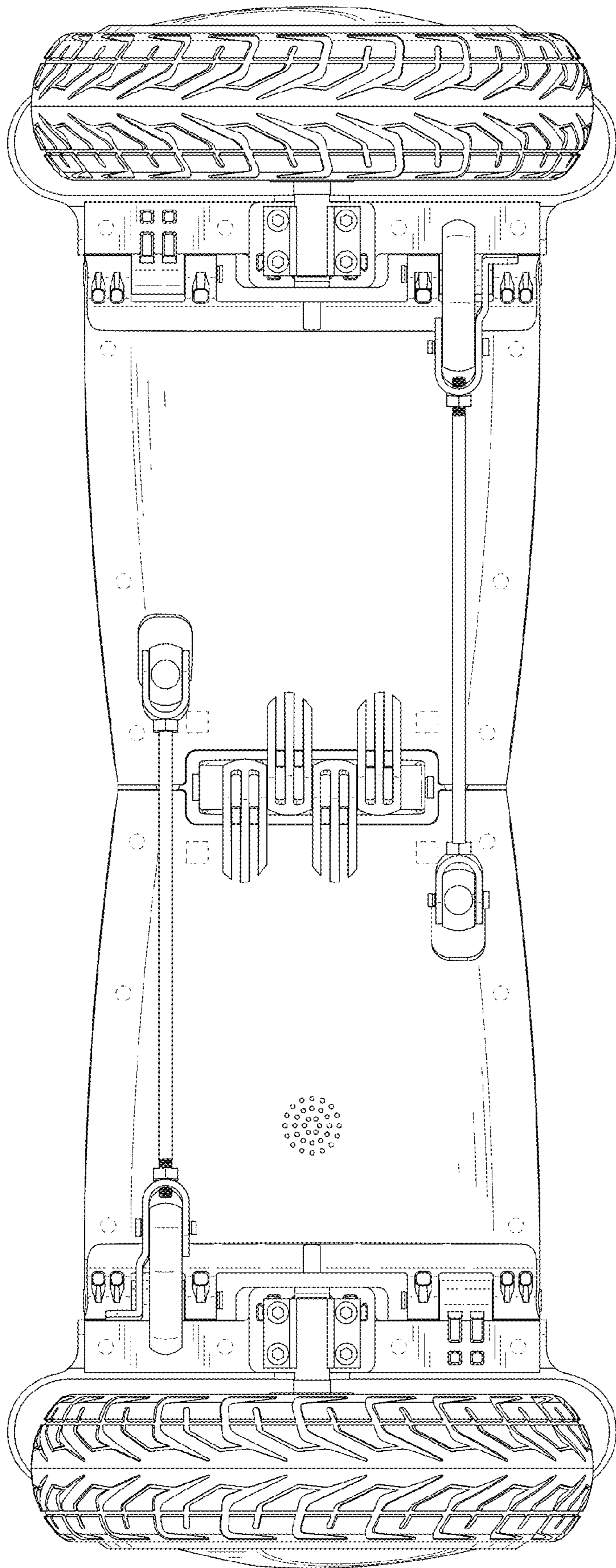


FIG. 8